



US00D930841S

(12) **United States Design Patent** (10) **Patent No.:** **US D930,841 S**
Ahearn et al. (45) **Date of Patent:** **** Sep. 14, 2021**

(54) **PROTECTIVE VACUUM SHIELD FOR PERSONAL SERVICE PROVIDERS**

FOREIGN PATENT DOCUMENTS

(71) Applicants: **David J. Ahearn**, Little Compton, RI (US); **Edward Carey**, Westport, MA (US); **Walter Bezaniuk**, Berkley, MA (US)

CN 201879716 U 6/2011
CN 202456515 10/2012

(Continued)

(72) Inventors: **David J. Ahearn**, Little Compton, RI (US); **Edward Carey**, Westport, MA (US); **Walter Bezaniuk**, Berkley, MA (US)

OTHER PUBLICATIONS

Hsien, et al., "Coronavirus/Taiwanese doctor creates cheap protective device amid virus crisis," Focus Taiwan, Apr. 3, 2020, <https://focustaiwan.tw/society/202003220009>.

(Continued)

(**) Term: **15 Years**

Primary Examiner — Susan Bennett Hattan

(21) Appl. No.: **29/737,785**

Assistant Examiner — Omeed Agilee

(22) Filed: **Jun. 11, 2020**

(74) *Attorney, Agent, or Firm* — Adler Pollock & Sheehan P.C

(51) **LOC (13) Cl.** **24-02**

(52) **U.S. Cl.**
USPC **D24/184; D24/158**

(57) **CLAIM**

(58) **Field of Classification Search**
USPC D24/107, 158–161, 184, 185, 186, 187, D24/231, 232, 234; D29/100, 101.1, 110; D2/860, 861, 872–874
CPC A61B 6/107; A61B 6/4411; G21F 3/00; G21F 3/02; G21Y 2004/30; A61N 2005/1094

The ornamental design for a protective vacuum shield for personal service providers, as shown and described.

See application file for complete search history.

DESCRIPTION

(56) **References Cited**

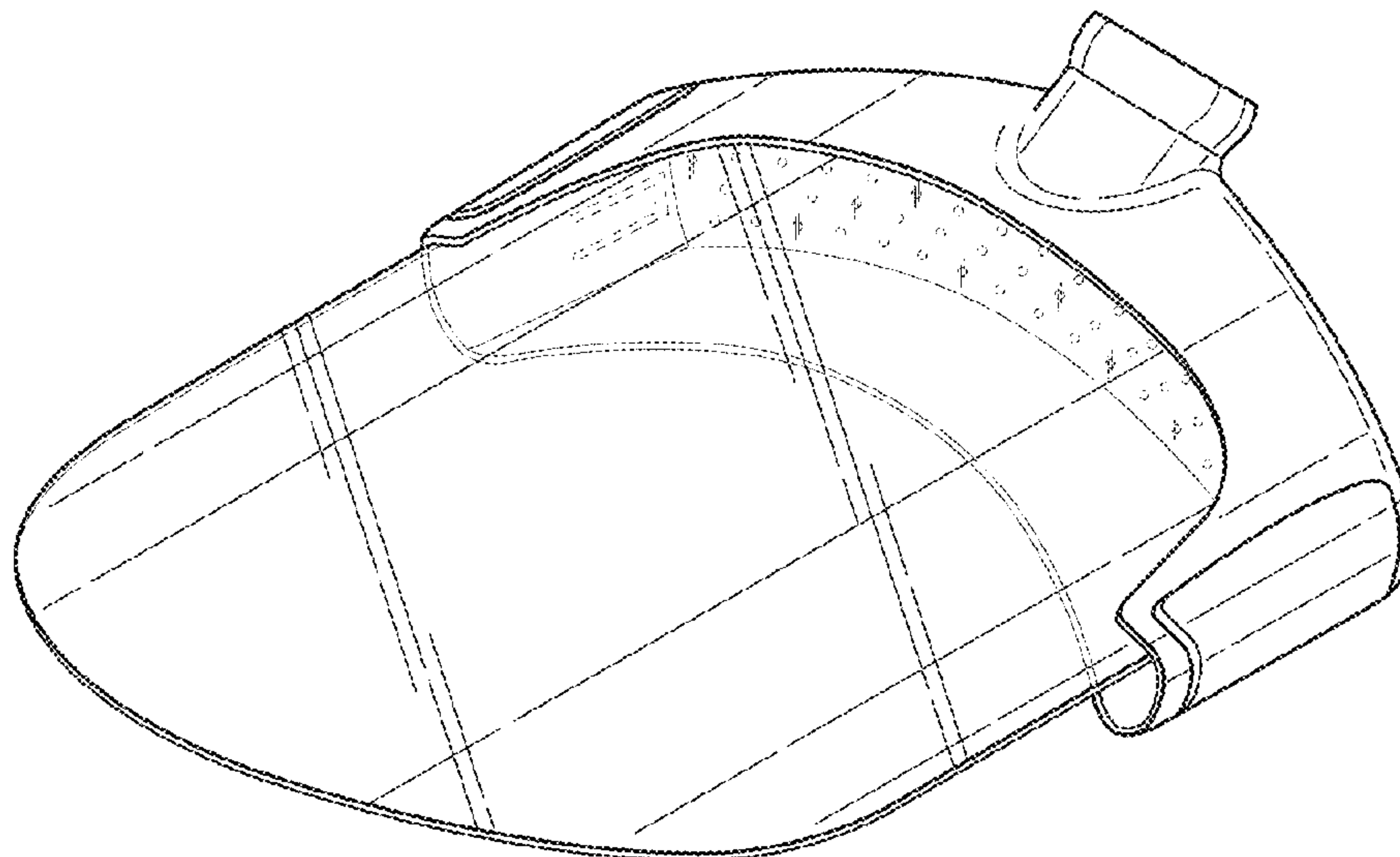
U.S. PATENT DOCUMENTS

1,342,898 A 6/1920 De
1,532,008 A 3/1925 Scott
2,106,615 A 1/1938 Maurer
D121,457 S 6/1940 Nu Dell
3,041,624 A 7/1962 Cutrona, Jr.
D210,002 S 1/1968 Zahn
3,369,255 A 2/1968 Bolle
D214,014 S 5/1969 Jones
D274,466 S * 6/1984 Conlon D24/232

FIG. 1 is a perspective view of a protective vacuum shield for personal service providers according to our new design; FIG. 2 is a top view thereof; FIG. 3 is a bottom view thereof; FIG. 4 is a side view thereof; FIG. 5 is an opposite side view thereof; FIG. 6 is a front view thereof; FIG. 7 is a back view thereof; FIG. 8 is another perspective view of the protective vacuum shield for personal service providers in use; and, FIG. 9 is another perspective view of the protective vacuum shield for personal service providers in use. The broken lines in the drawings depict environmental subject matter and form no part of the claimed design.

(Continued)

1 Claim, 7 Drawing Sheets



(56)

References Cited

U.S. PATENT DOCUMENTS

D297,766 S * 9/1988 Conlon D24/232
 D300,945 S * 5/1989 Fleming D24/158
 D303,153 S * 8/1989 Puggard D24/105
 4,967,775 A 11/1990 Kaiser
 5,349,967 A 9/1994 Tennis et al.
 D376,674 S 12/1996 Kamata
 D380,873 S 7/1997 Reuber
 5,970,514 A 10/1999 Wang-lee
 D417,756 S 12/1999 Crupi et al.
 D450,746 S 11/2001 Johnson
 D454,976 S 3/2002 Recupido
 D614,305 S * 4/2010 Al-Ali D24/187
 7,798,635 B1 9/2010 Shindler
 D645,560 S * 9/2011 Green D24/121
 D666,776 S * 9/2012 Shim D29/110
 D675,786 S 2/2013 Klotz et al.
 D772,415 S * 11/2016 Ballsieper D24/158
 9,532,617 B2 1/2017 Miller et al.
 D785,805 S * 5/2017 Geers D24/190
 D825,762 S * 8/2018 Ballsieper D24/158
 D830,554 S * 10/2018 Ballsieper D24/158
 D846,756 S * 4/2019 Lacy D24/231

D882,182 S 4/2020 Fekete
 2012/0186590 A1 7/2012 Byers et al.
 2017/0004895 A1 1/2017 Holman et al.

FOREIGN PATENT DOCUMENTS

CN 204468120 U 7/2015
 CN 306280865 1/2021
 DE 3540574 C2 1/1987
 GB 2205501 A1 12/1988
 RU 80336 2/2009

OTHER PUBLICATIONS

Jackson Safety F30 Acetate Face Shield (29090), 9"x15.5", Dark Green, Reusable Face Protection, 50 Shields/Case. Online, published date Sep. 8, 2021. Retrieved on Jan. 29, 2021 from URL: <https://www.amazon.com/Jackson-Safety-29090-Reusable-Protection/dp/B00982YBJ2>.
 Rush Deer Face Shield, Adjustable Anti-Fog Dental Full Face Shield with Protective Clear Film Elastic Band and Comfort Sponge (5 Packs). Online, published date Mar. 30, 2020. Retrieved on Jan. 29, 2021 from URL: <https://www.amazon.com/Rush-Deer-Adjustable-Anti-Fog-Protective/dp/B086JYGQVP>.

* cited by examiner

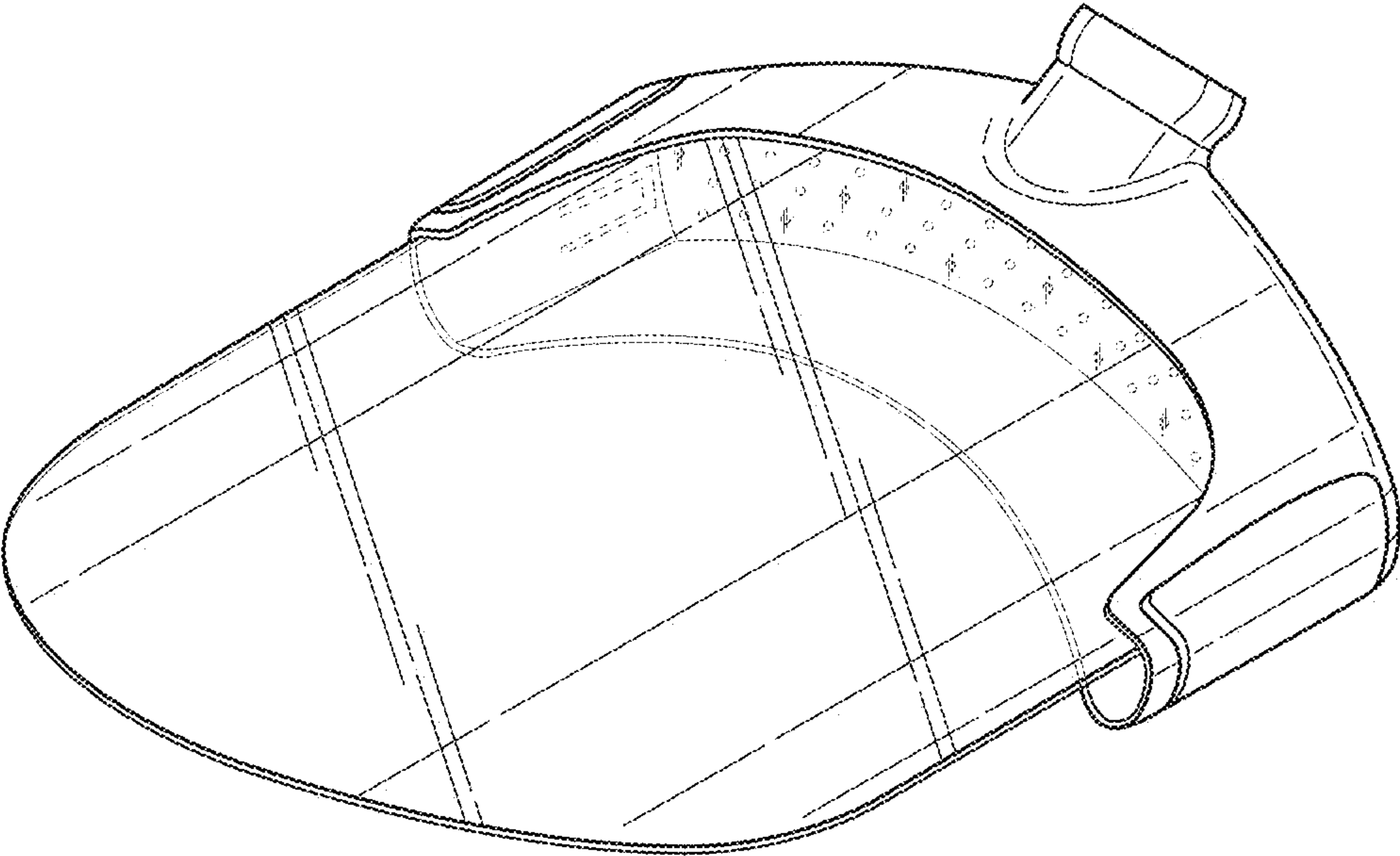


FIG. 1

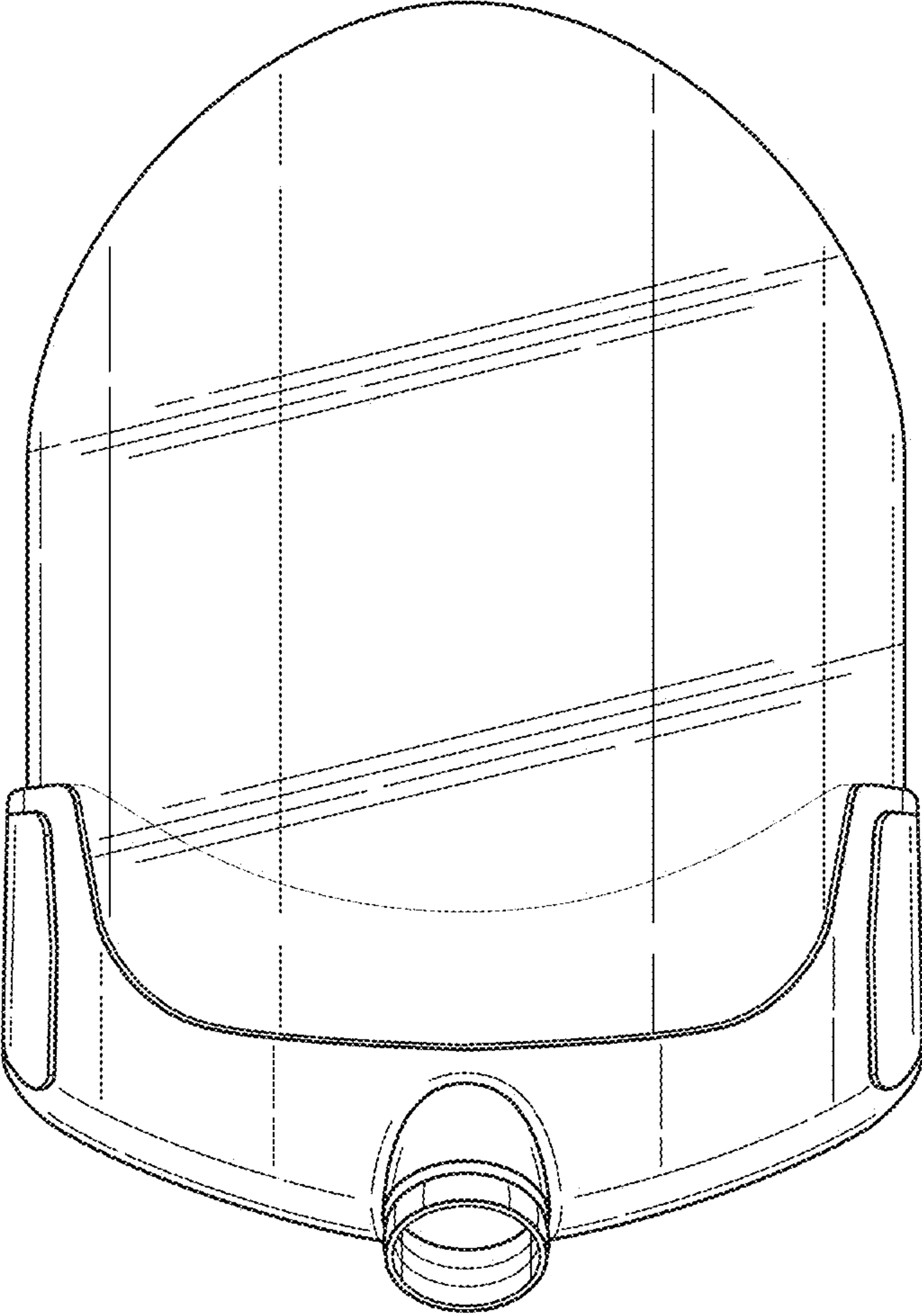


FIG. 2

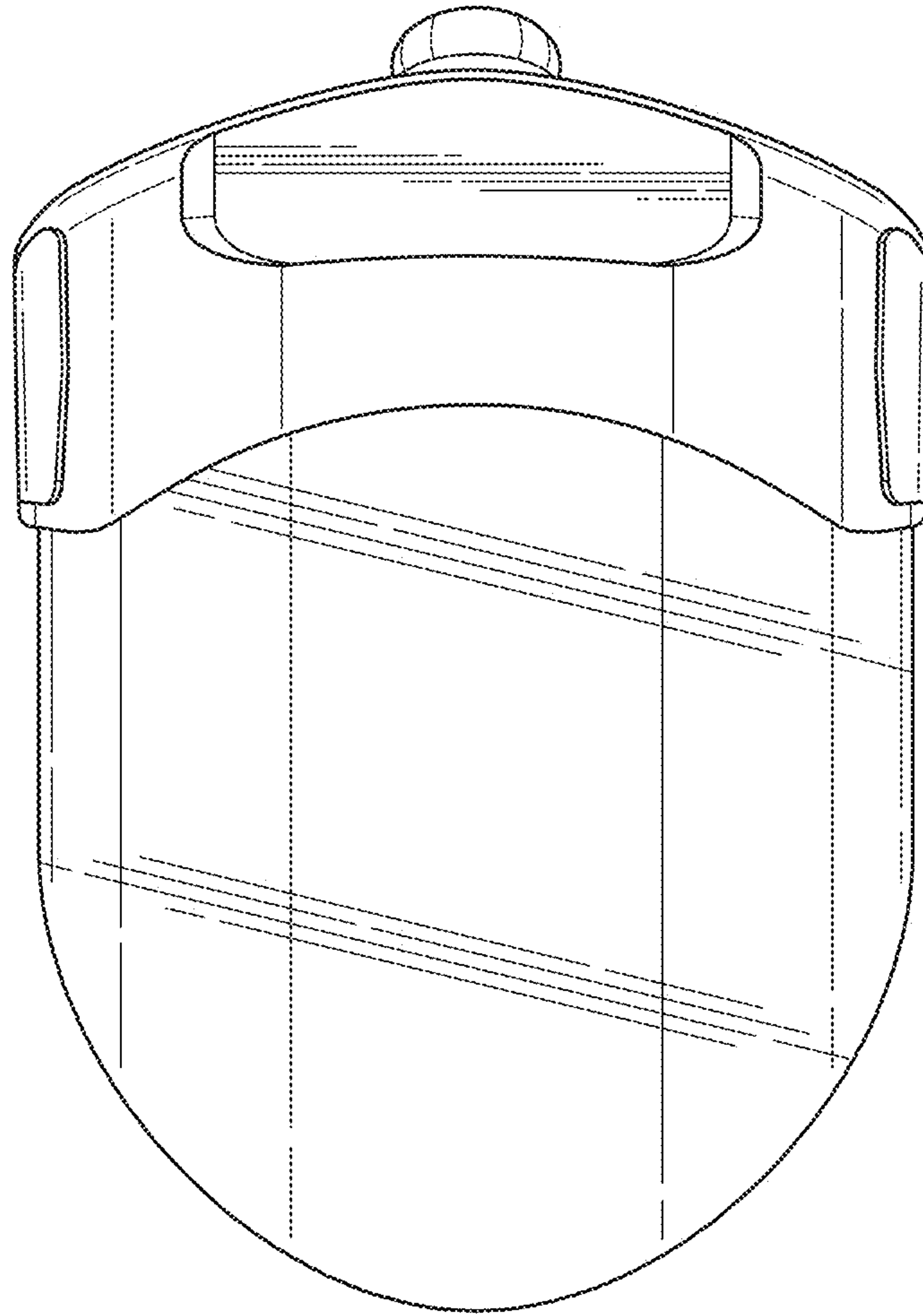


FIG. 3

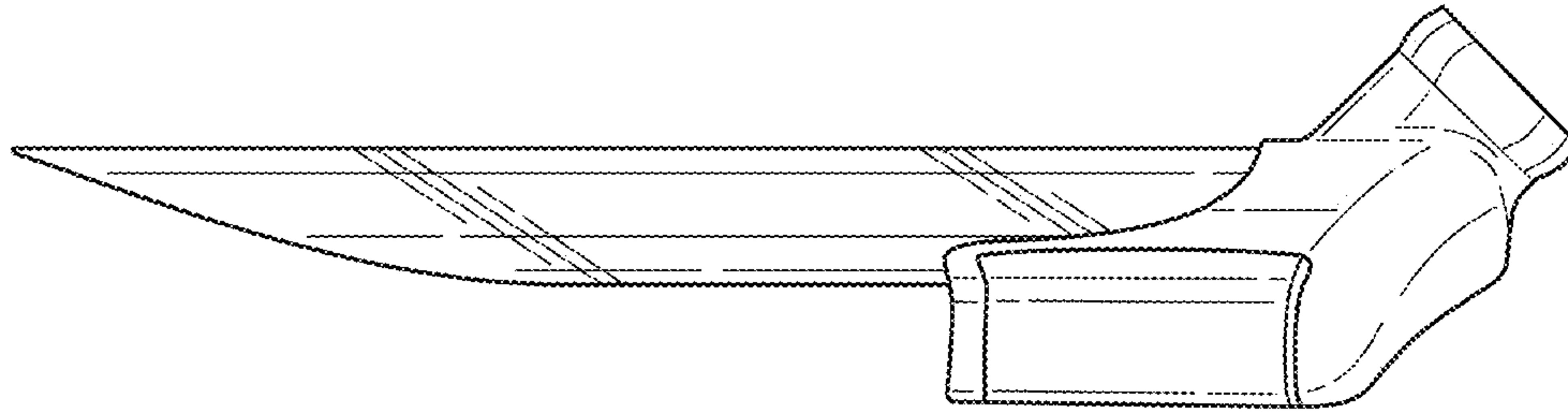


FIG. 4

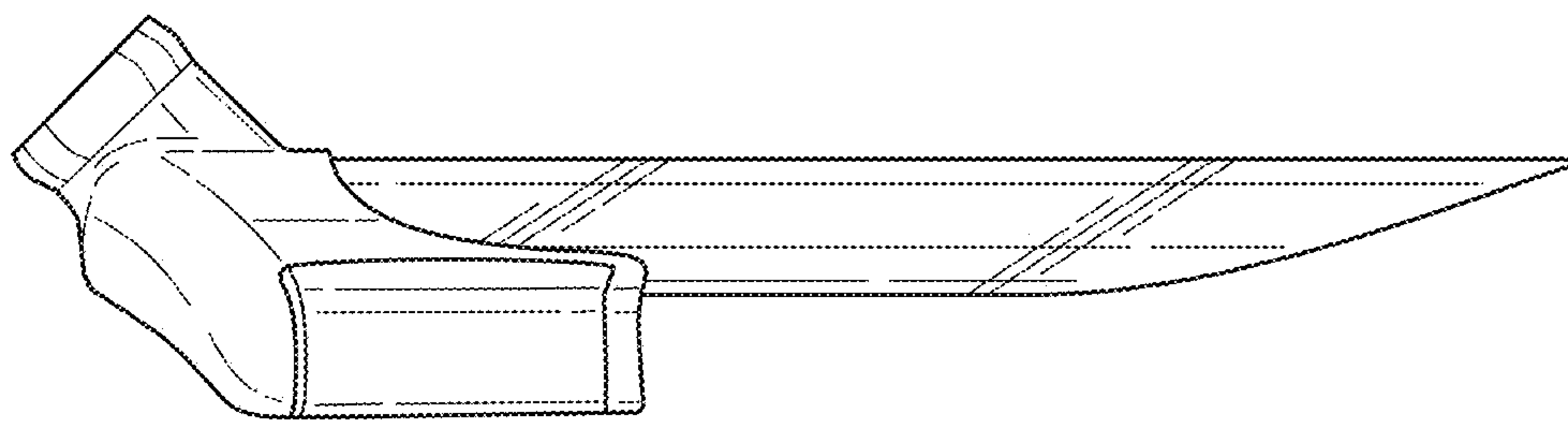


FIG. 5

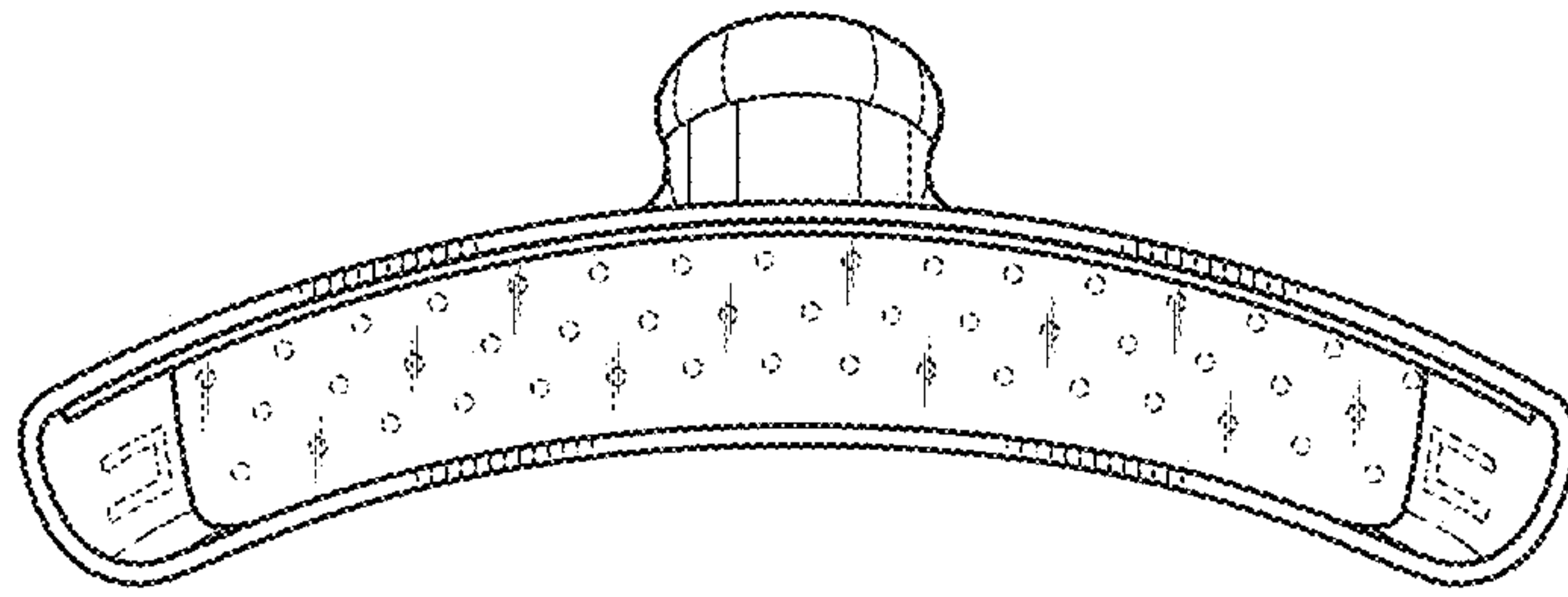


FIG. 6

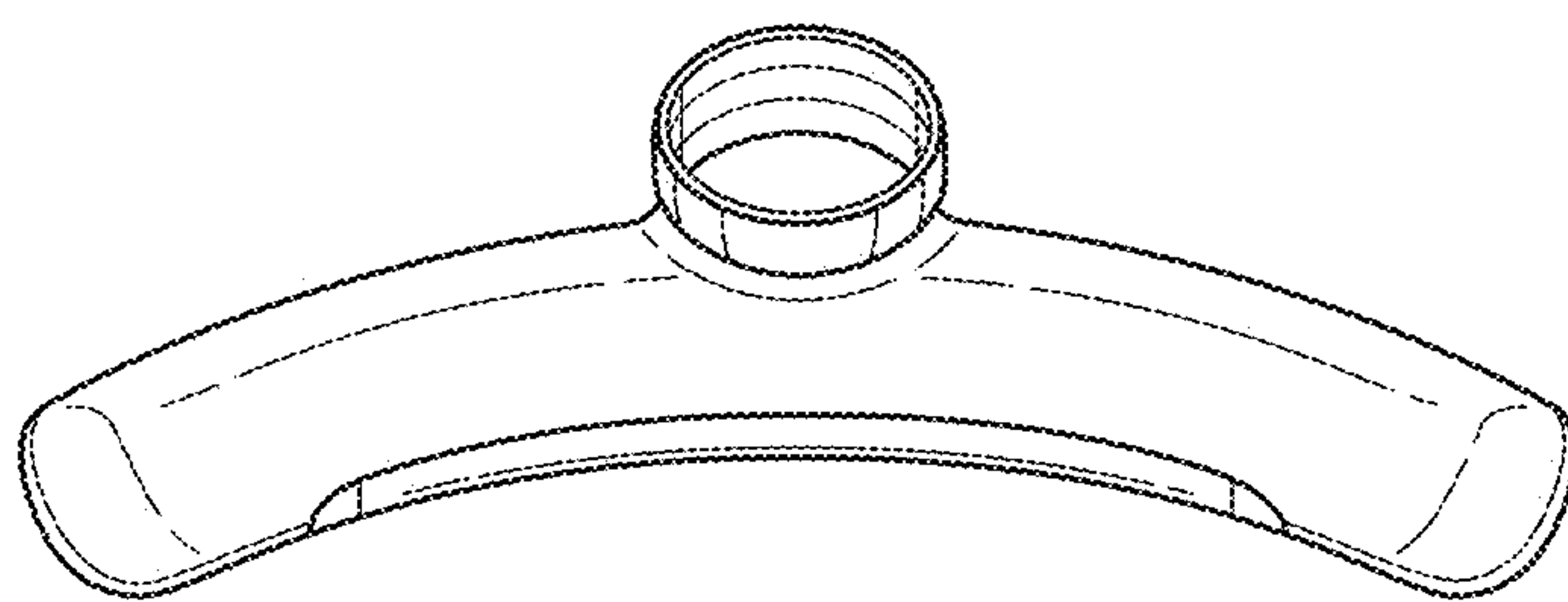


FIG. 7

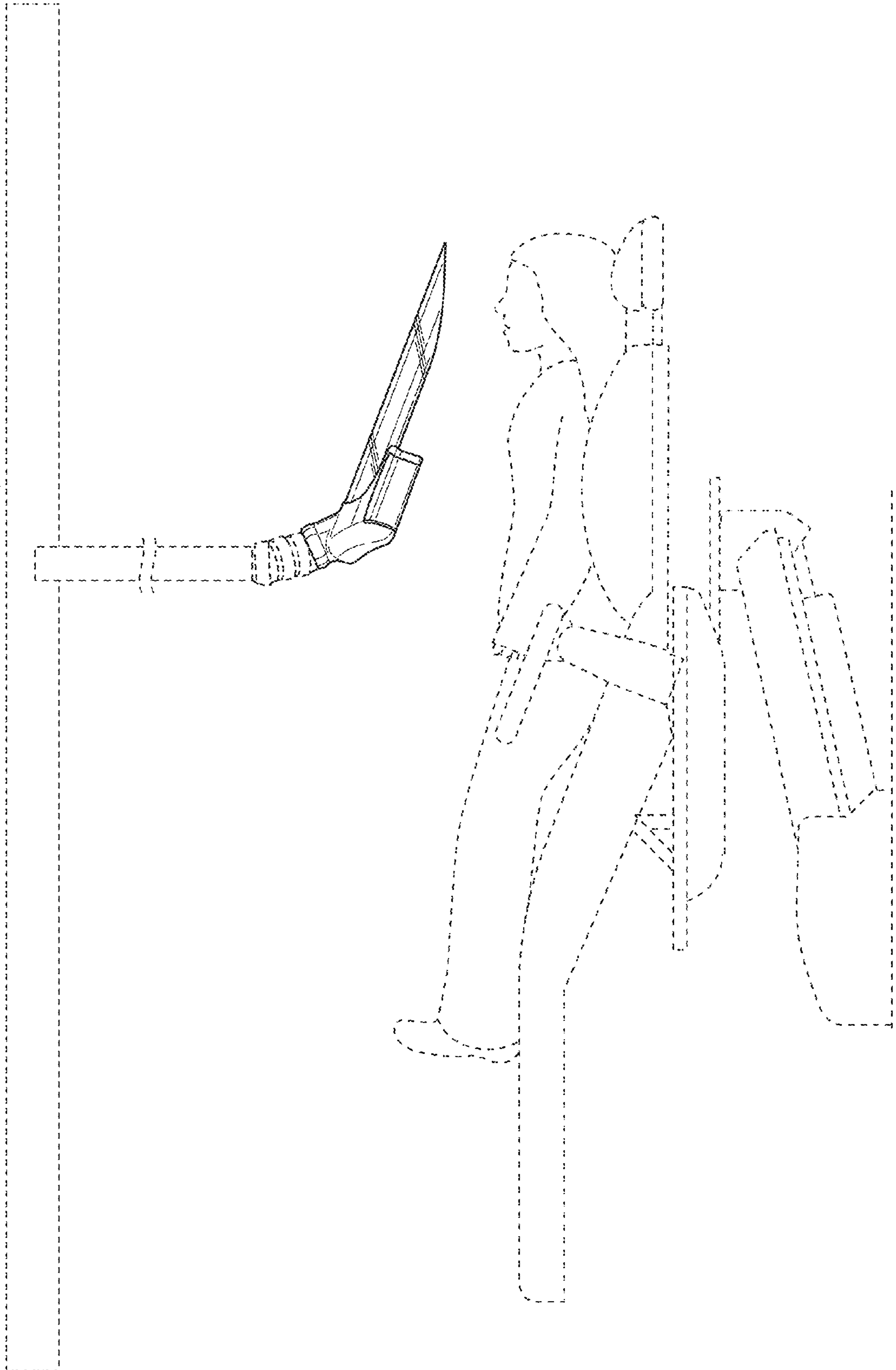


FIG. 8

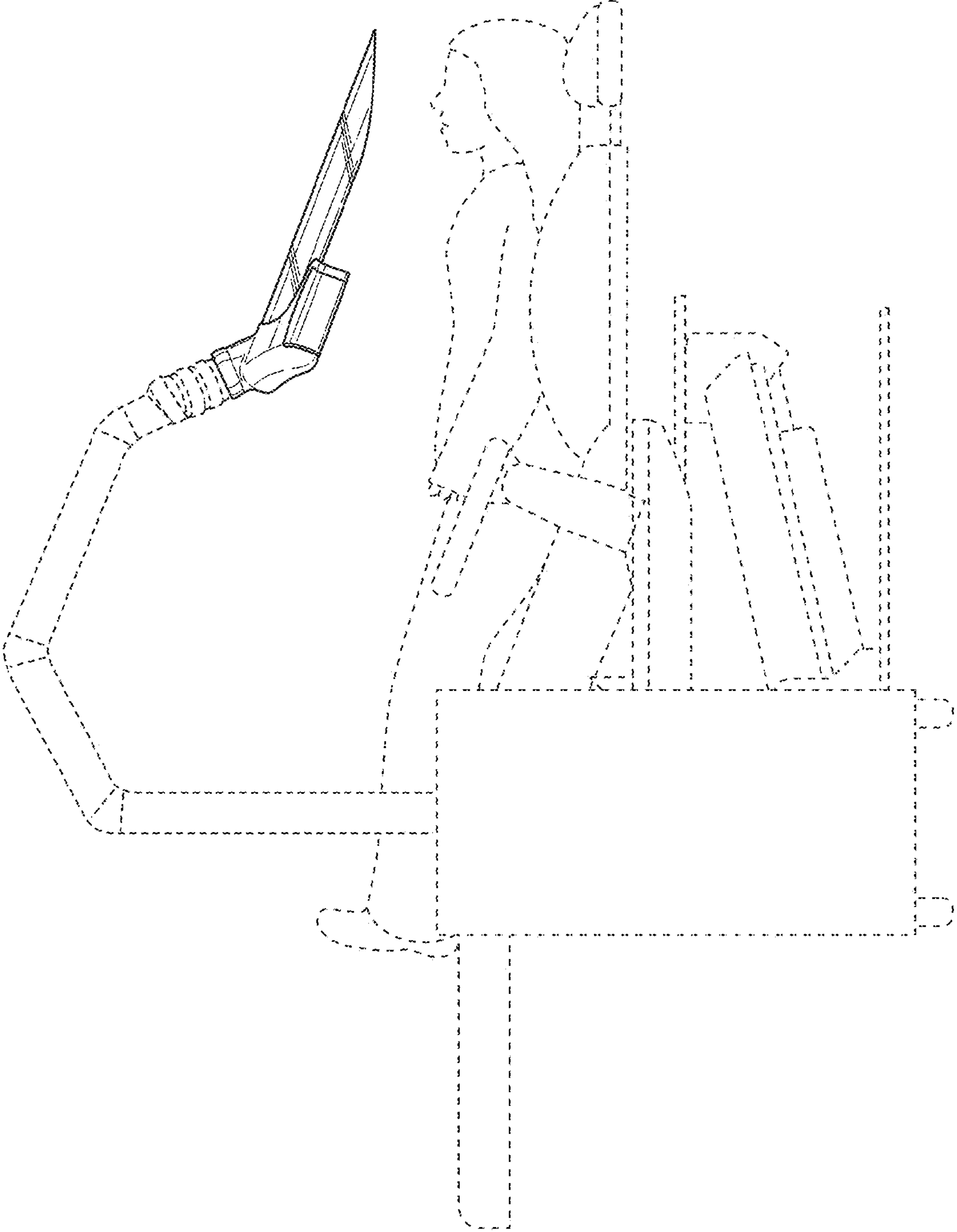


FIG. 9