



US00D930839S

(12) **United States Design Patent**  
**Zhang**

(10) **Patent No.:** **US D930,839 S**

(45) **Date of Patent:** **\*\* Sep. 14, 2021**

(54) **HEARING AID**

(71) Applicant: **Xiamen Retone Hearing Technology Co., Ltd., Xiamen (CN)**

(72) Inventor: **Chengxiang Zhang, Xiamen (CN)**

(\*\*) Term: **15 Years**

(21) Appl. No.: **29/715,177**

(22) Filed: **Nov. 27, 2019**

(51) **LOC (13) Cl.** ..... **24-99**

(52) **U.S. Cl.**  
USPC ..... **D24/174**

(58) **Field of Classification Search**  
USPC ..... D24/173-175, 186, 231; D14/205, 223,  
D14/224, 225, 226, 249  
CPC ..... H04R 2225/021; H04R 2225/023; H04R  
2225/025; H04R 25/604; A45F 5/004;  
H01L 23/02; H01Q 7/00; H01Q 13/10  
See application file for complete search history.

(56) **References Cited**

**U.S. PATENT DOCUMENTS**

D397,796 S \* 9/1998 Yabe ..... D24/174  
D554,756 S \* 11/2007 Sjursen ..... D24/174  
D611,606 S \* 3/2010 Vaterlaus ..... D24/174  
D728,107 S \* 4/2015 Torres Martin ..... D24/174  
D895,806 S \* 9/2020 Zheng ..... D24/174

D896,969 S \* 9/2020 Yu ..... D24/174  
D924,207 S \* 7/2021 Li ..... D14/223  
2016/0353216 A1\* 12/2016 Ruzicka ..... H04R 25/60

**FOREIGN PATENT DOCUMENTS**

EM 007139175-0001 \* 10/2019

\* cited by examiner

*Primary Examiner* — Anhdao Doan

(74) *Attorney, Agent, or Firm* — W&K IP

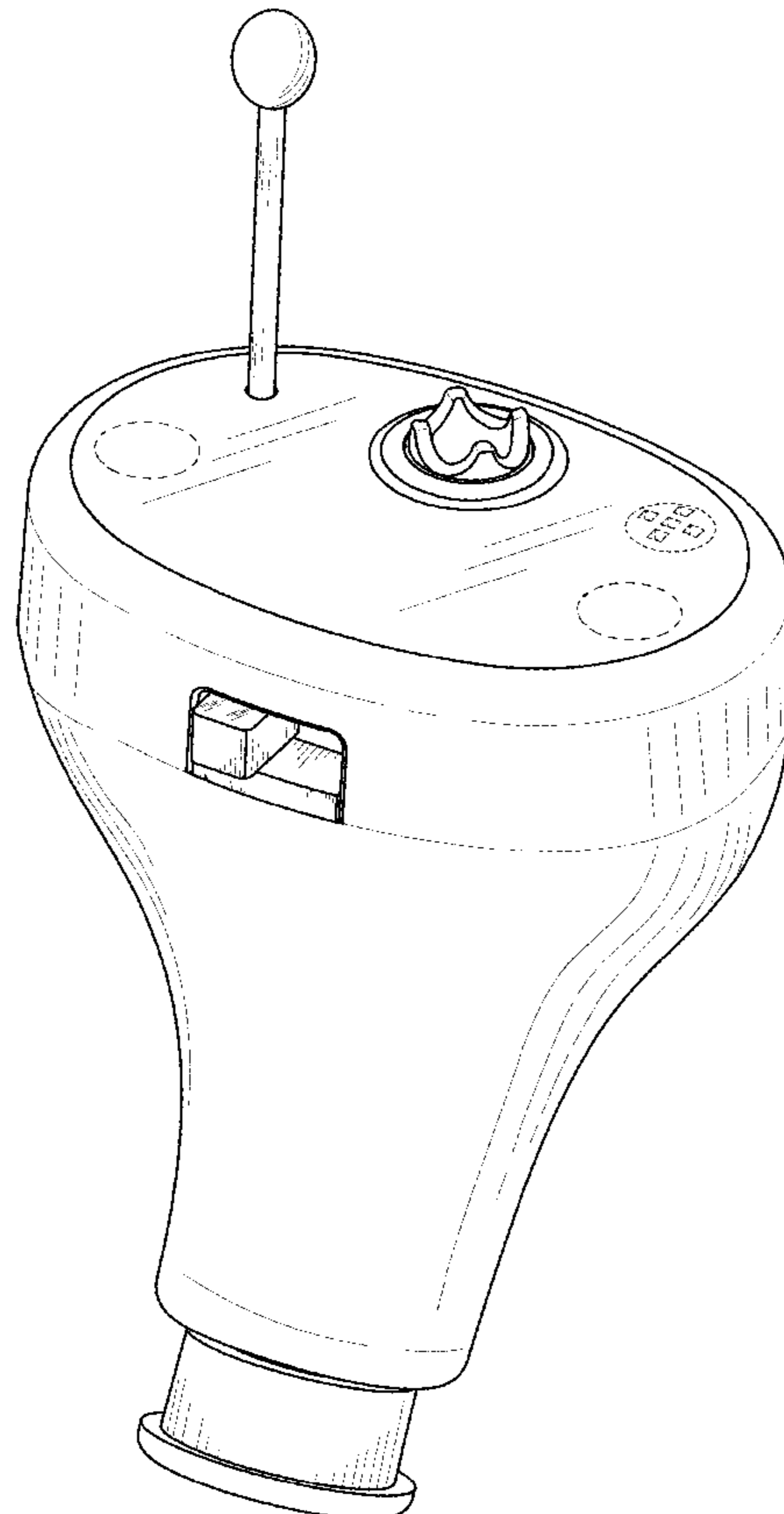
(57) **CLAIM**

The ornamental design for a hearing aid, as shown and described.

**DESCRIPTION**

FIG. 1 is a perspective view of a hearing aid showing my new design;  
FIG. 2 is a front elevational view thereof;  
FIG. 3 is a rear elevational view thereof;  
FIG. 4 is a left elevational view thereof;  
FIG. 5 is a right elevational view thereof;  
FIG. 6 is a top plan view thereof;  
FIG. 7 is a bottom plan view thereof; and,  
FIG. 8 is another perspective view thereof.  
The evenly-broken lines where present illustrate portions of the hearing aid that form no part of the claimed design.

**1 Claim, 8 Drawing Sheets**



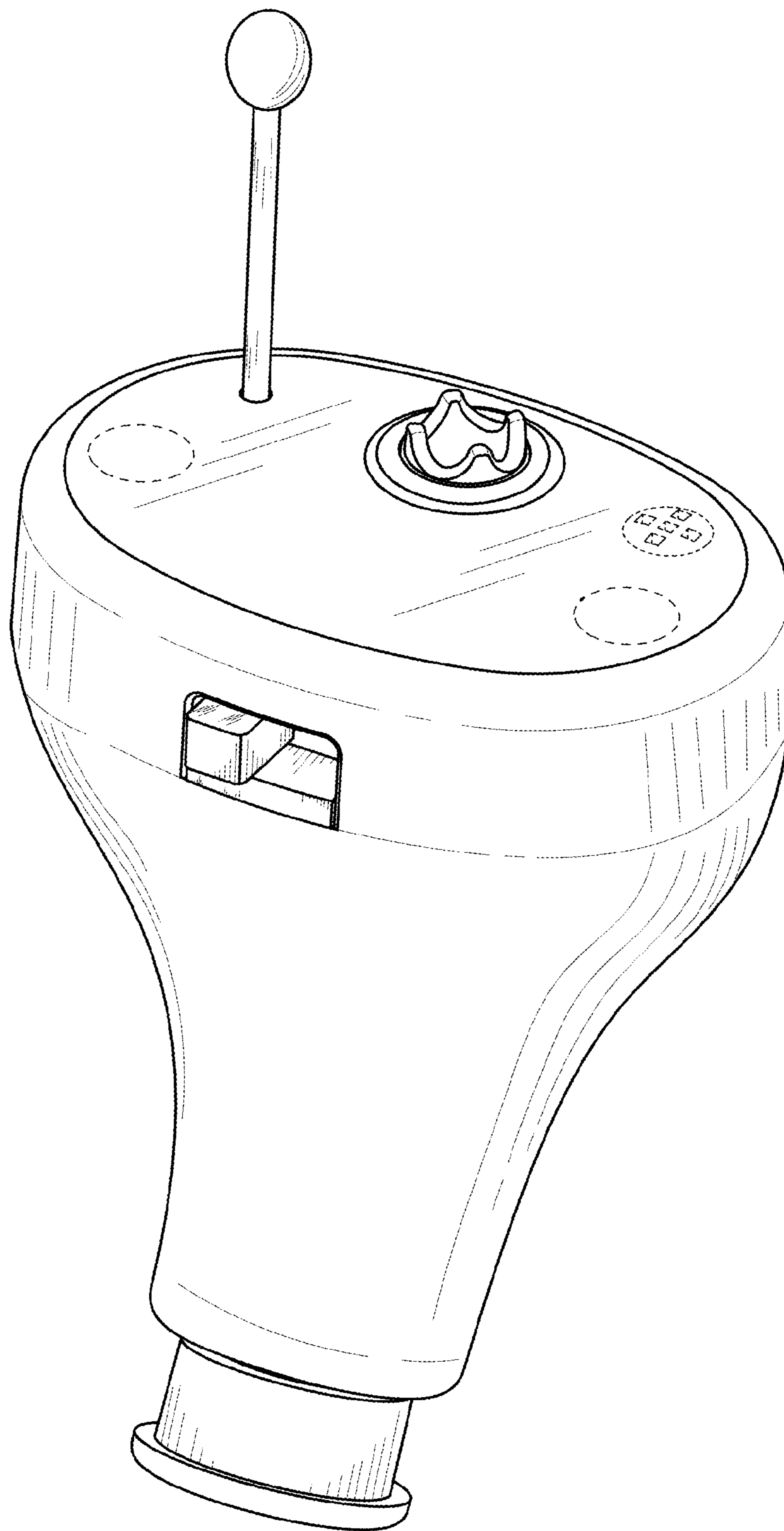


FIG.1

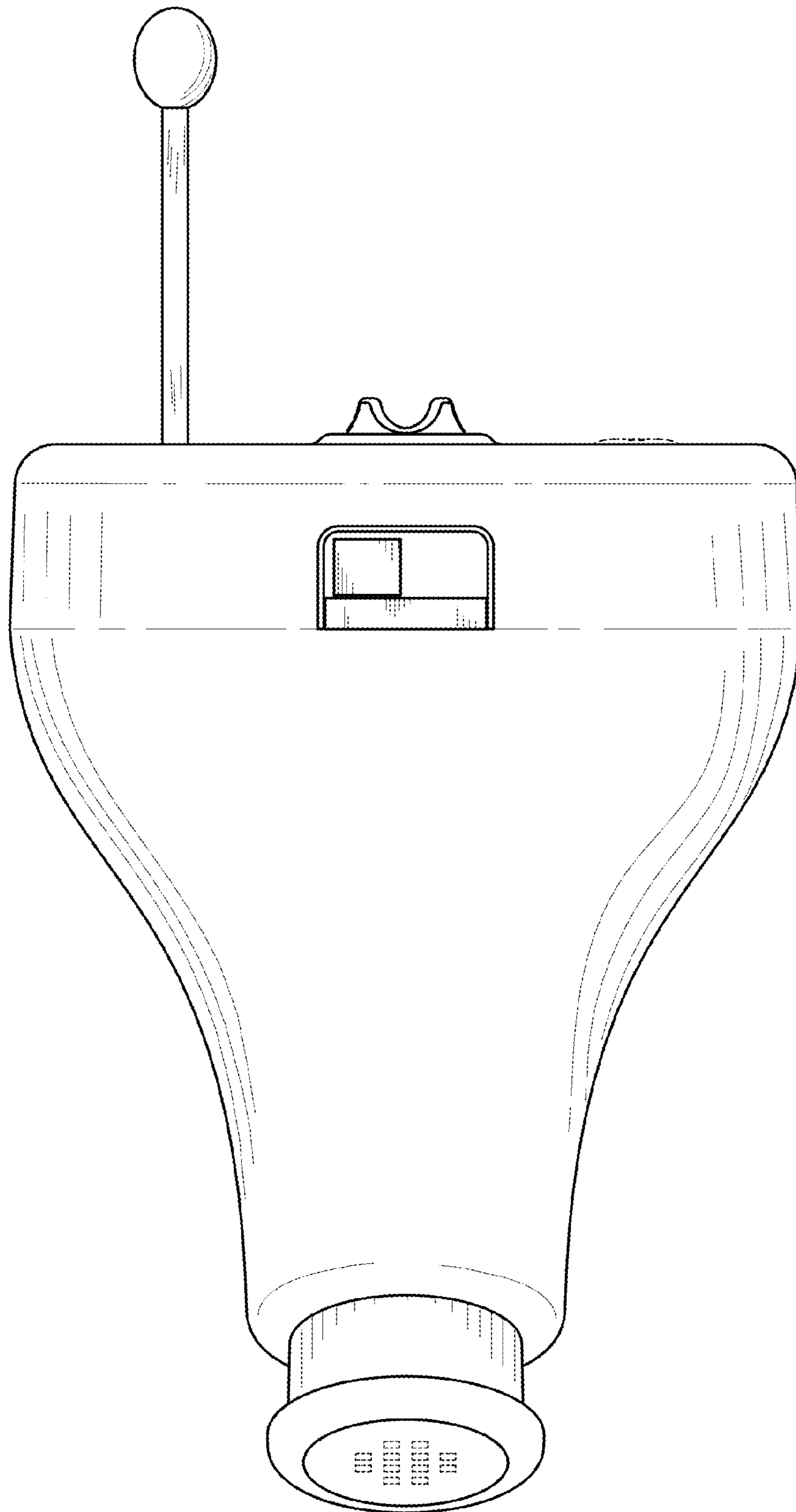


FIG.2

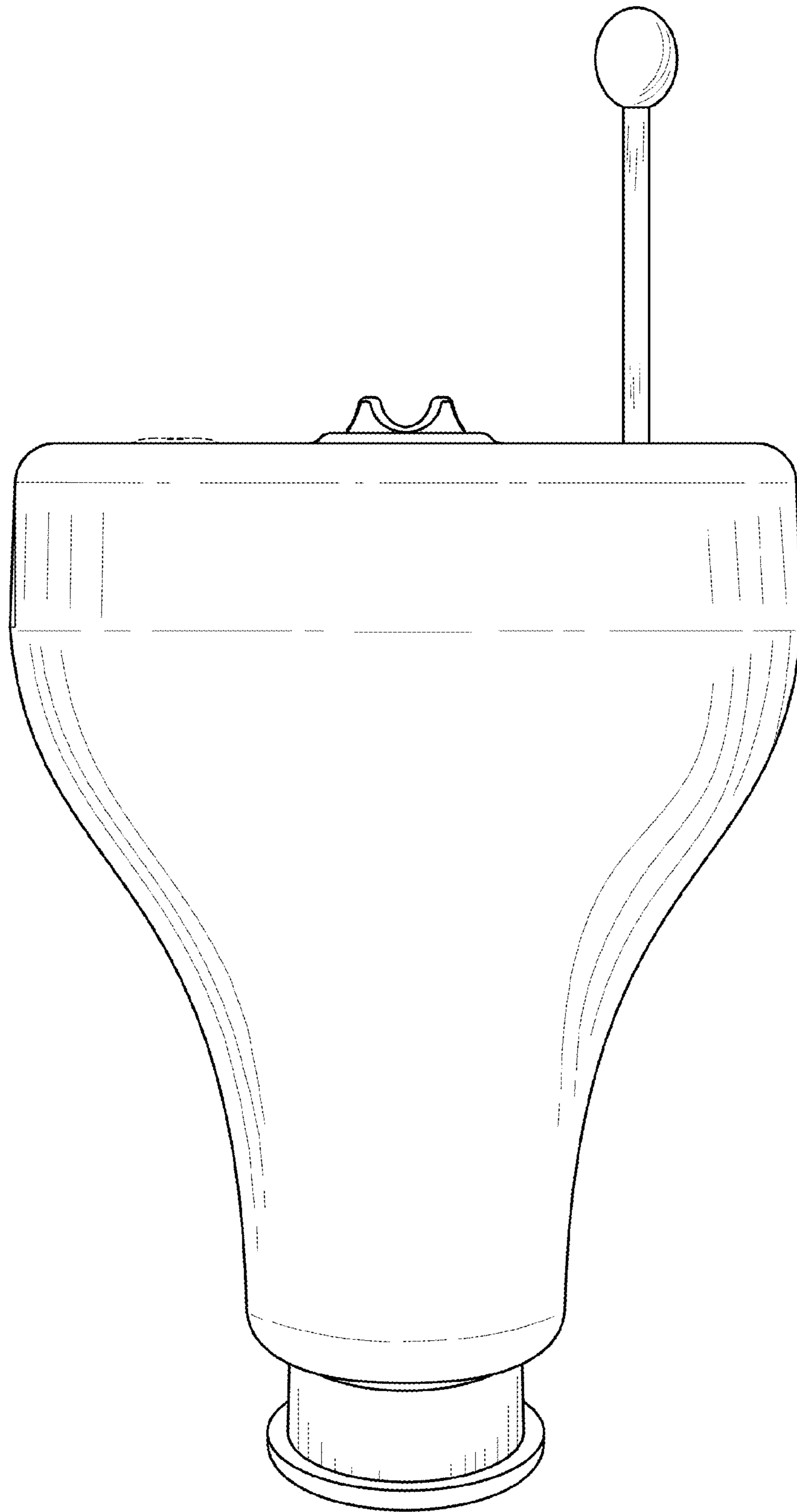


FIG. 3

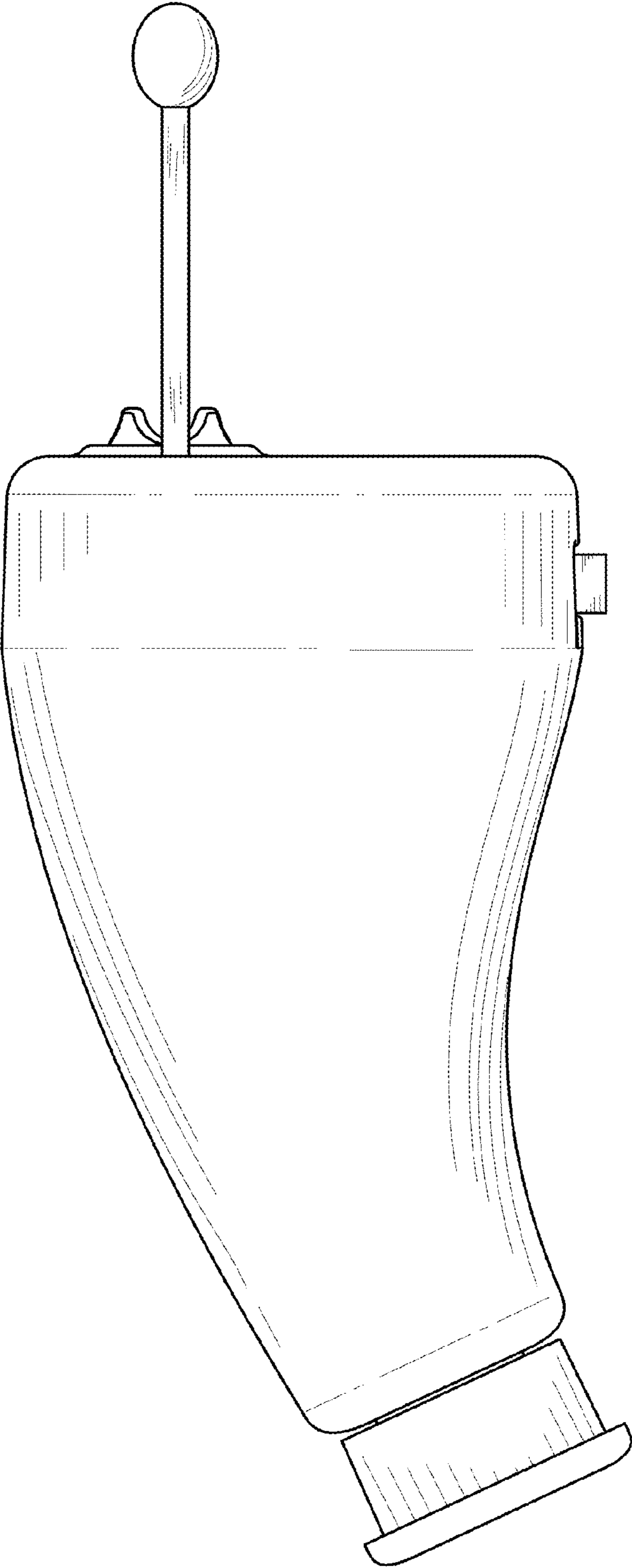


FIG.4

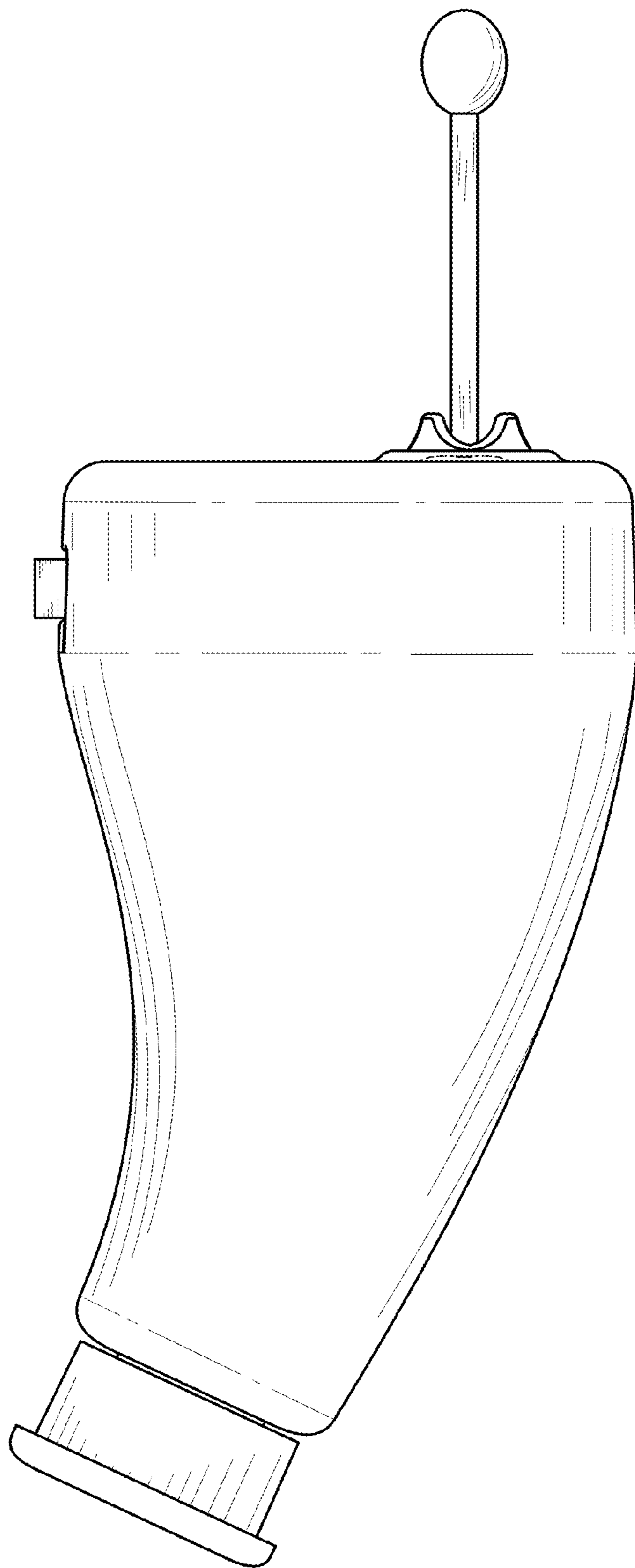


FIG.5

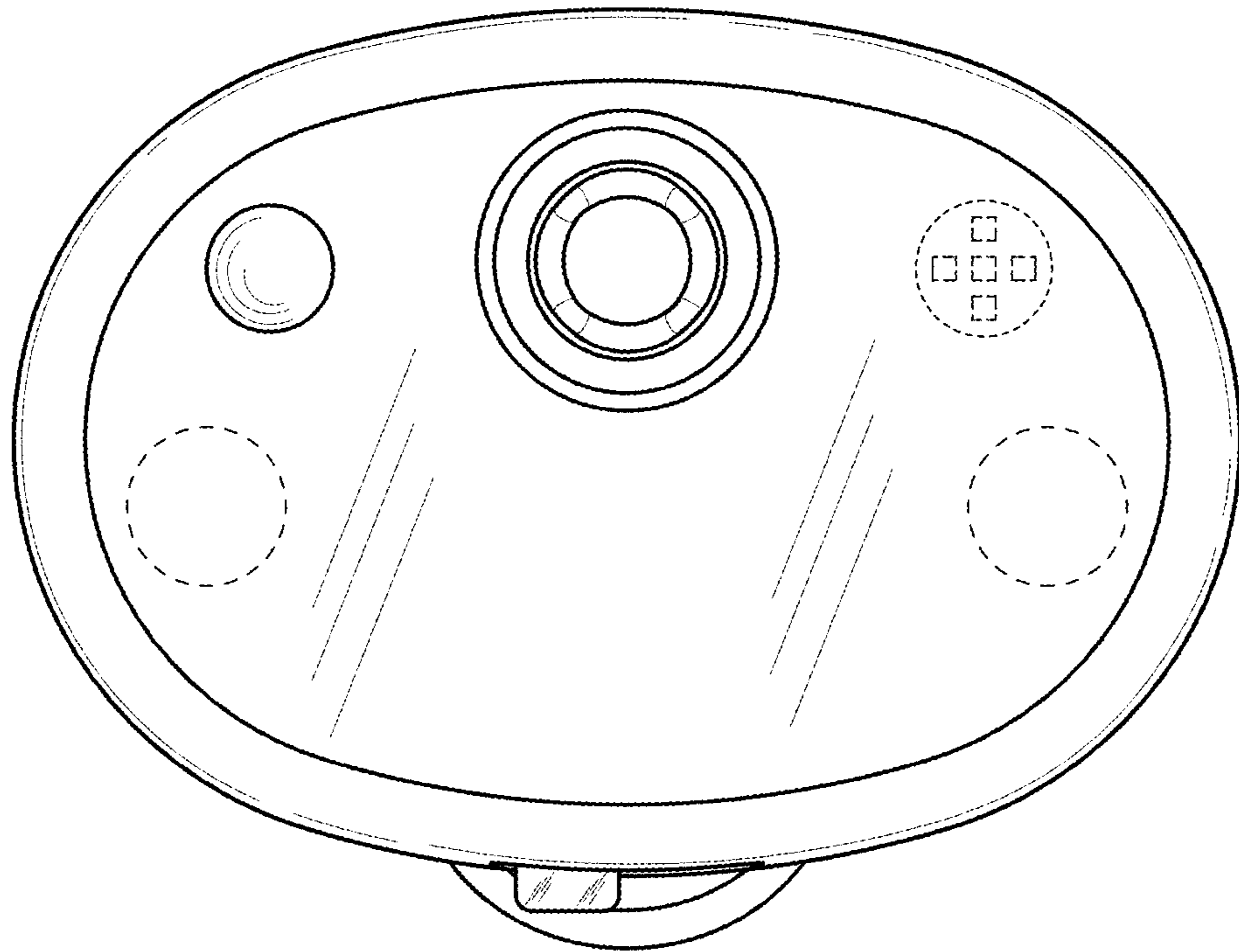


FIG.6



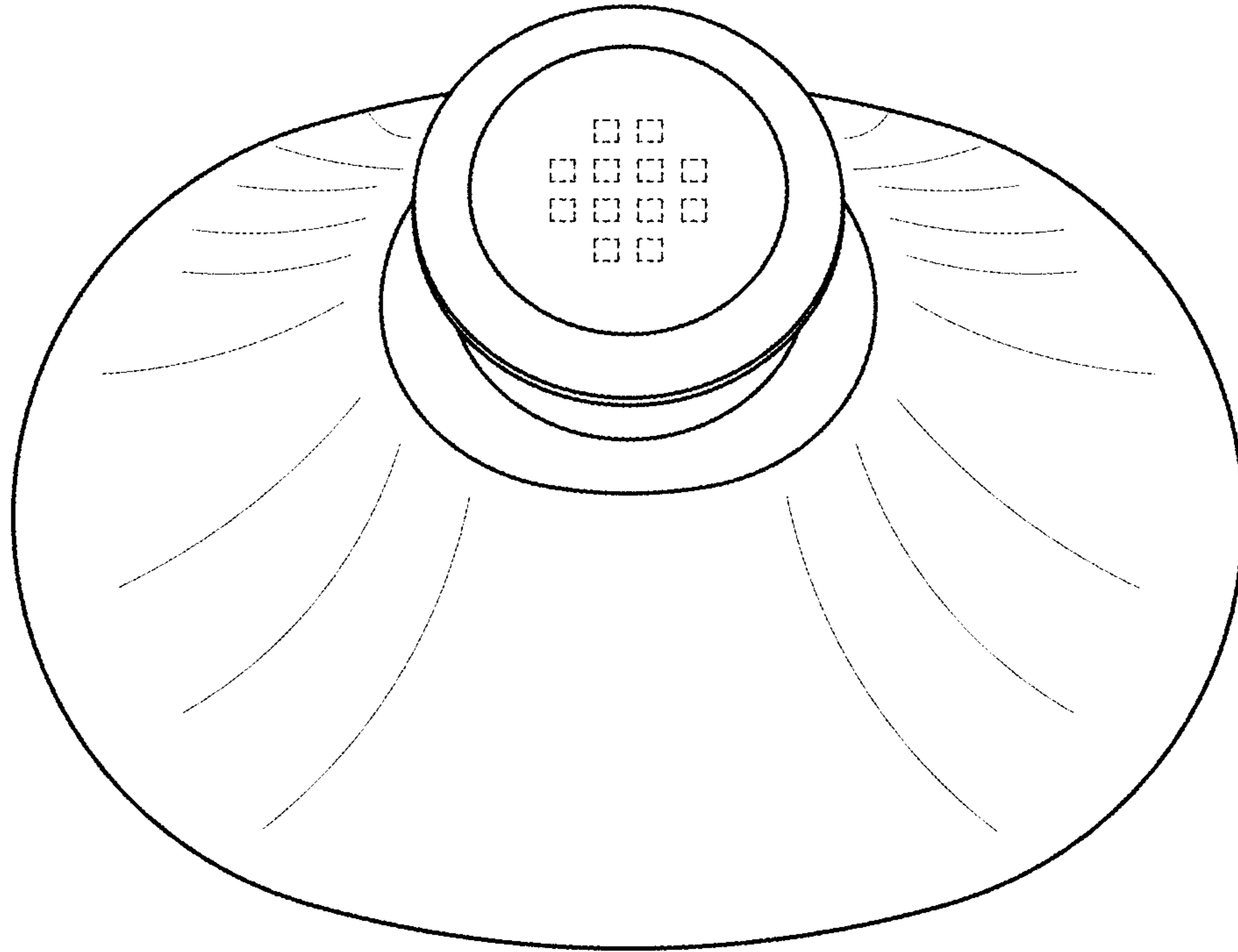


FIG.7



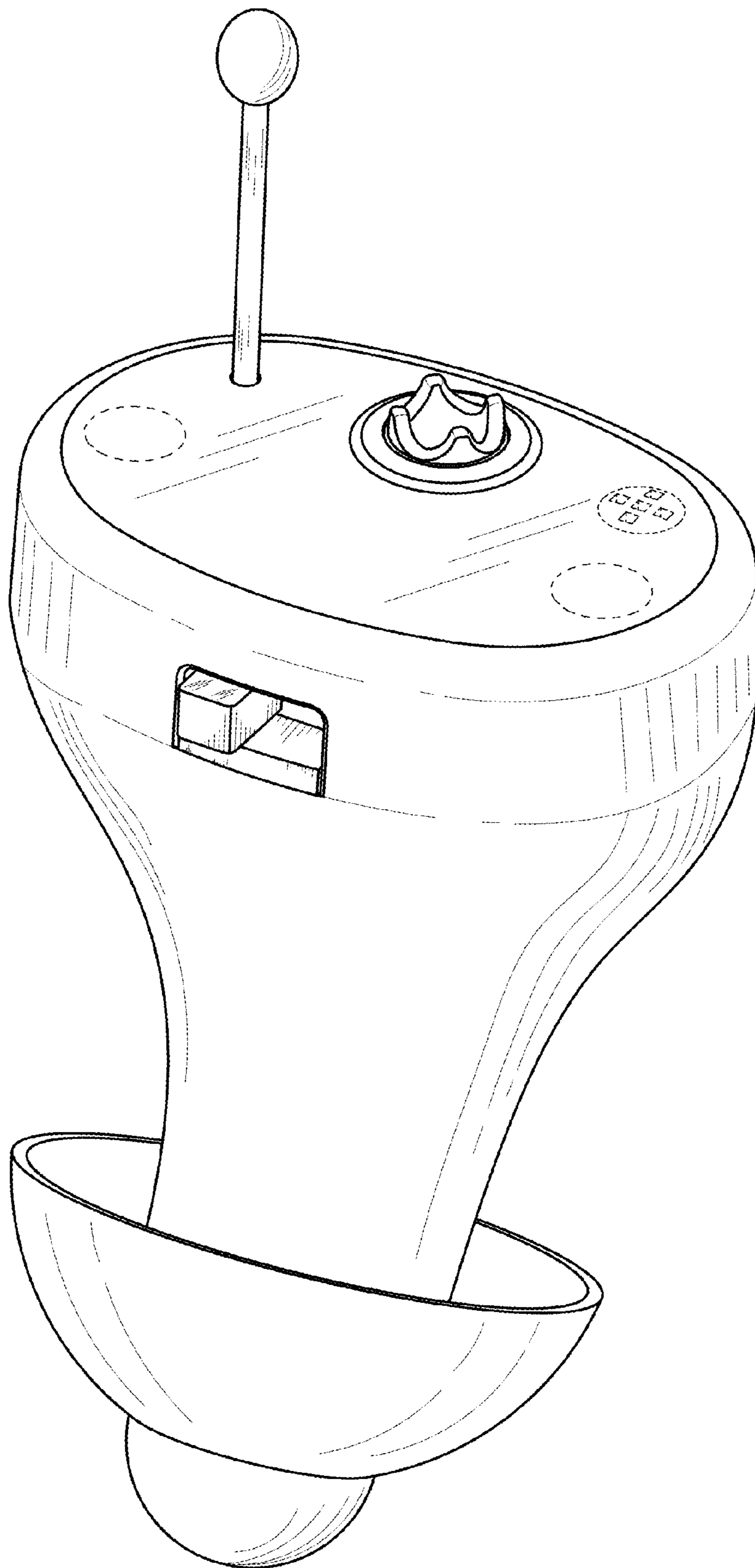


FIG.8