



US00D930838S

(12) **United States Design Patent** (10) **Patent No.:** **US D930,838 S**
Meraviglia et al. (45) **Date of Patent:** **** Sep. 14, 2021**

(54) **BLOOD COLLECTION MONITOR**

(71) Applicant: **DELCON S.R.L.**, Milan (IT)

(72) Inventors: **Marco Meraviglia**, Saronno (IT); **Clara Failla**, Milan (IT); **Federico Sinopoli**, Milan (IT); **Gionathan Giuliano**, Settimo Milanese (IT)

(73) Assignee: **DELCON S.R.L.**, Milan (IT)

(**) Term: **15 Years**

(21) Appl. No.: **29/683,405**

(22) Filed: **Mar. 13, 2019**

(30) **Foreign Application Priority Data**

Jan. 21, 2019 (EM) 006079877

(51) **LOC (13) Cl.** **24-01**

(52) **U.S. Cl.**
USPC **D24/169**

(58) **Field of Classification Search**
USPC D24/107, 169, 186, 216, 219, 220,
D24/231-234; D10/81, 87-91
CPC .. A61M 1/024; A61M 1/0245; A61M 1/3672;
A61M 2205/583; A61M 2205/586; A61M
2205/3393; A61J 1/16; A61J 1/22
See application file for complete search history.

(56) **References Cited**

U.S. PATENT DOCUMENTS

4,027,735 A * 6/1977 Floyd A61M 1/0245
177/118
4,267,837 A * 5/1981 Purdy A61M 1/024
604/245

D308,249 S * 5/1990 Buckley D24/169
D320,444 S * 10/1991 Kida D24/169
5,680,110 A * 10/1997 Whisson A61M 1/0245
177/118
D420,444 S * 2/2000 McGugan D24/169
D611,152 S * 3/2010 Updyke D24/169
D719,039 S * 12/2014 Chang D10/81
D754,859 S * 4/2016 Gonsalves D24/169
D870,580 S * 12/2019 Yokono D10/91
D901,670 S * 11/2020 Tuononen D24/107
D902,435 S * 11/2020 Dutra D24/232
D903,126 S * 11/2020 Schmieta D24/169
2010/0252490 A1 * 10/2010 Fulkerson A61M 1/1664
210/96.2
2015/0343123 A1 * 12/2015 Bancroft A61M 1/024
604/507
2019/0143012 A1 * 5/2019 Sala A61M 1/0245
604/254

* cited by examiner

Primary Examiner — Anhdao Doan

(74) *Attorney, Agent, or Firm* — Volpe Koenig

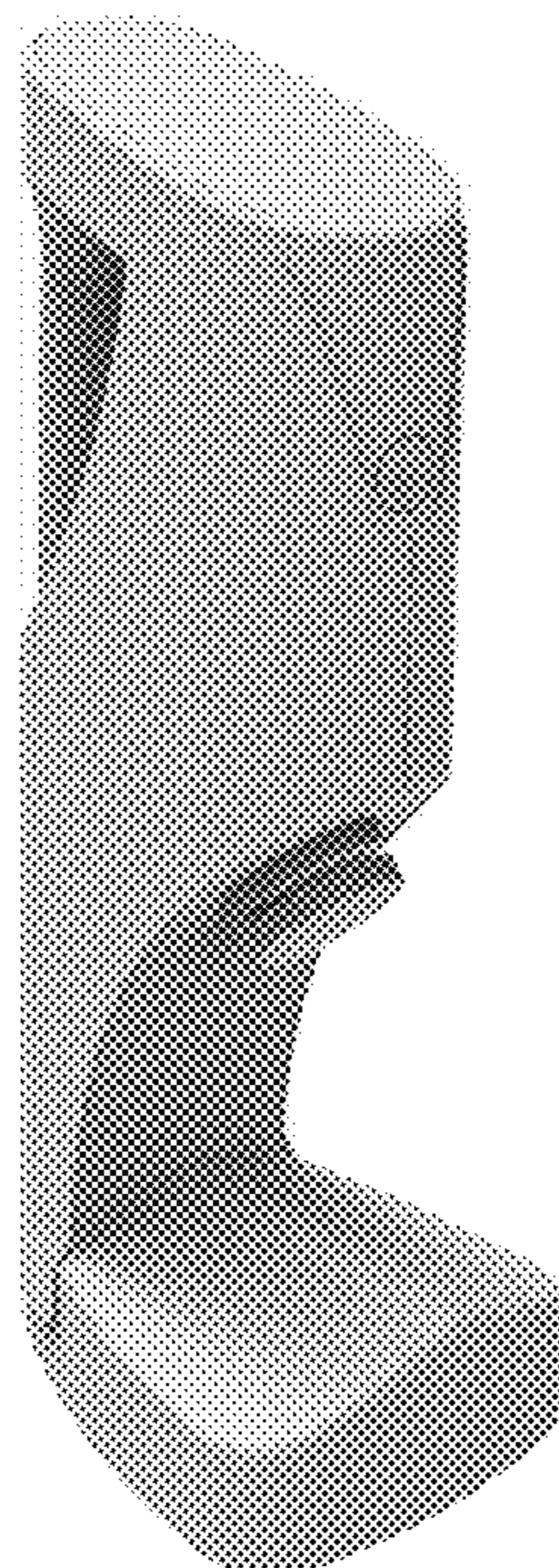
(57) **CLAIM**

The ornamental design for a blood collection monitor, as shown and described.

DESCRIPTION

FIG. 1 is a front perspective of a blood collection monitor showing our new design;
FIG. 2 is a rear view thereof;
FIG. 3 is a bottom view thereof;
FIG. 4 is a front view thereof;
FIG. 5 is a right side view thereof, the left side being a mirror image; and,
FIG. 6 is a top view thereof.

1 Claim, 6 Drawing Sheets



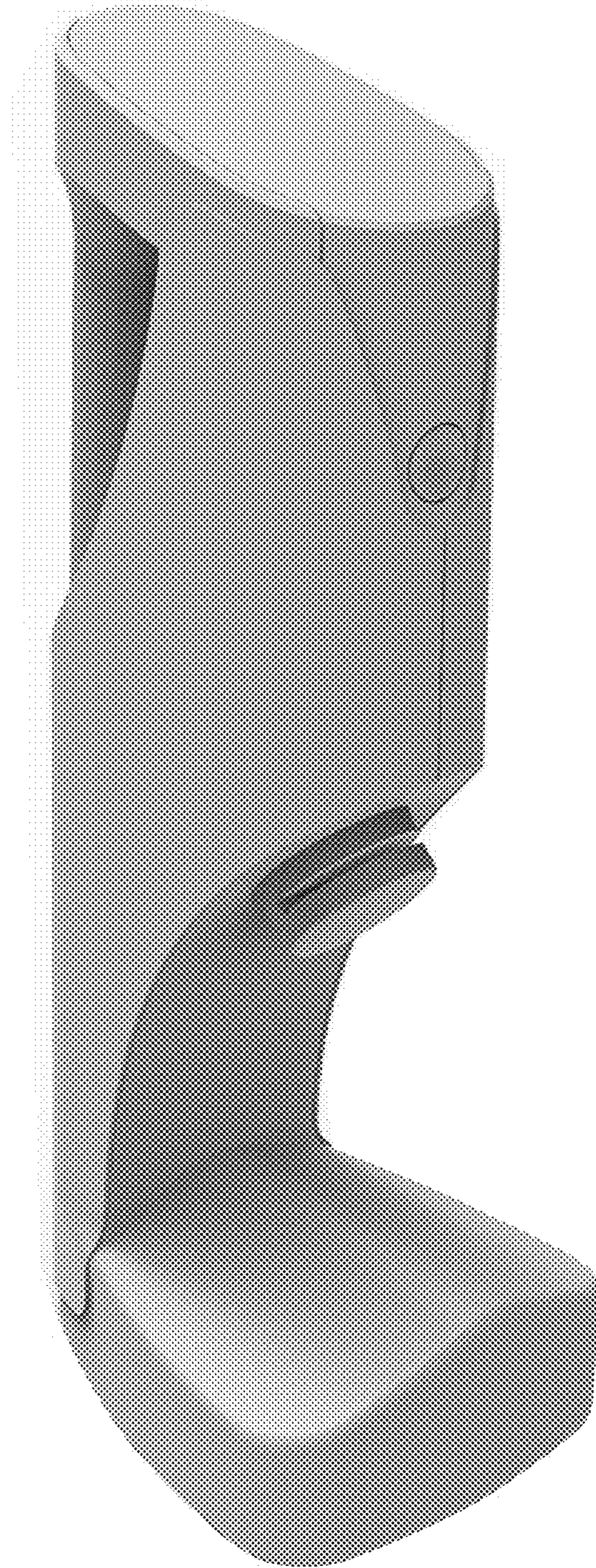


FIG. 1

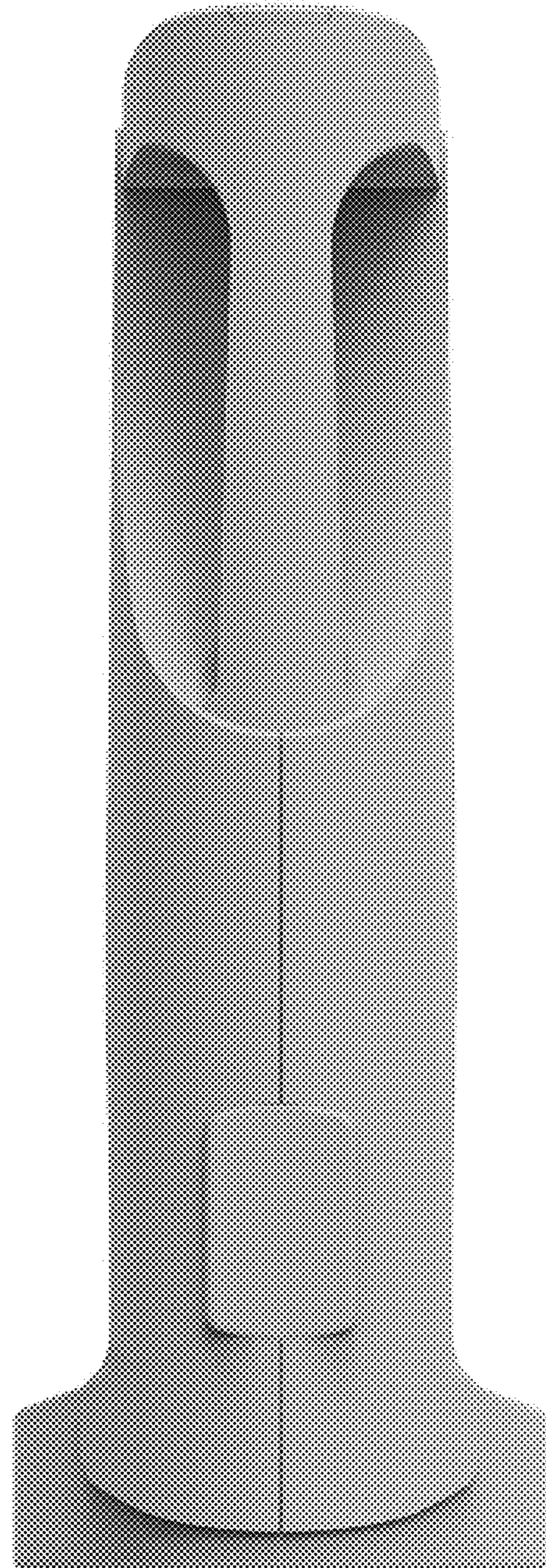


FIG. 2

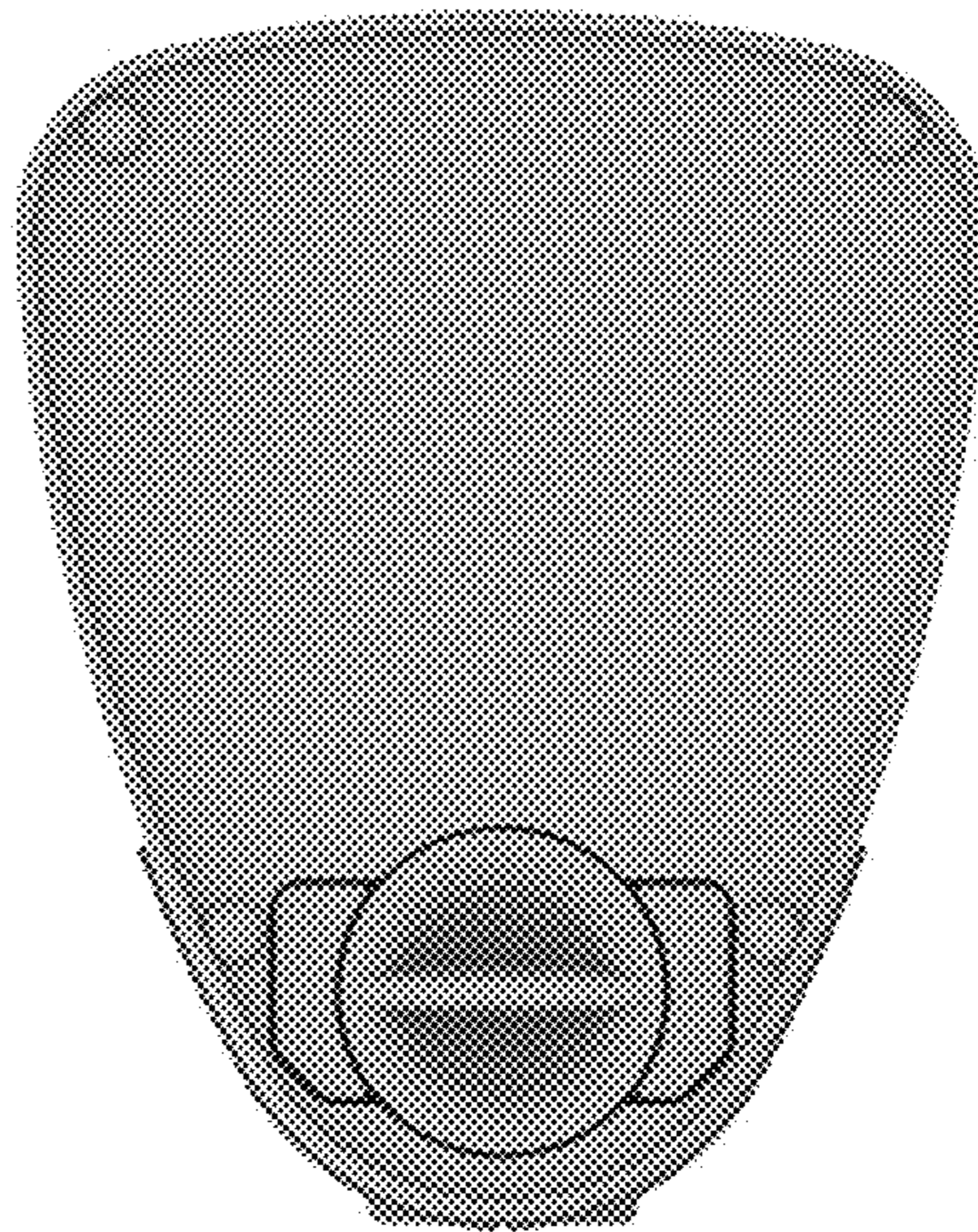


FIG. 3

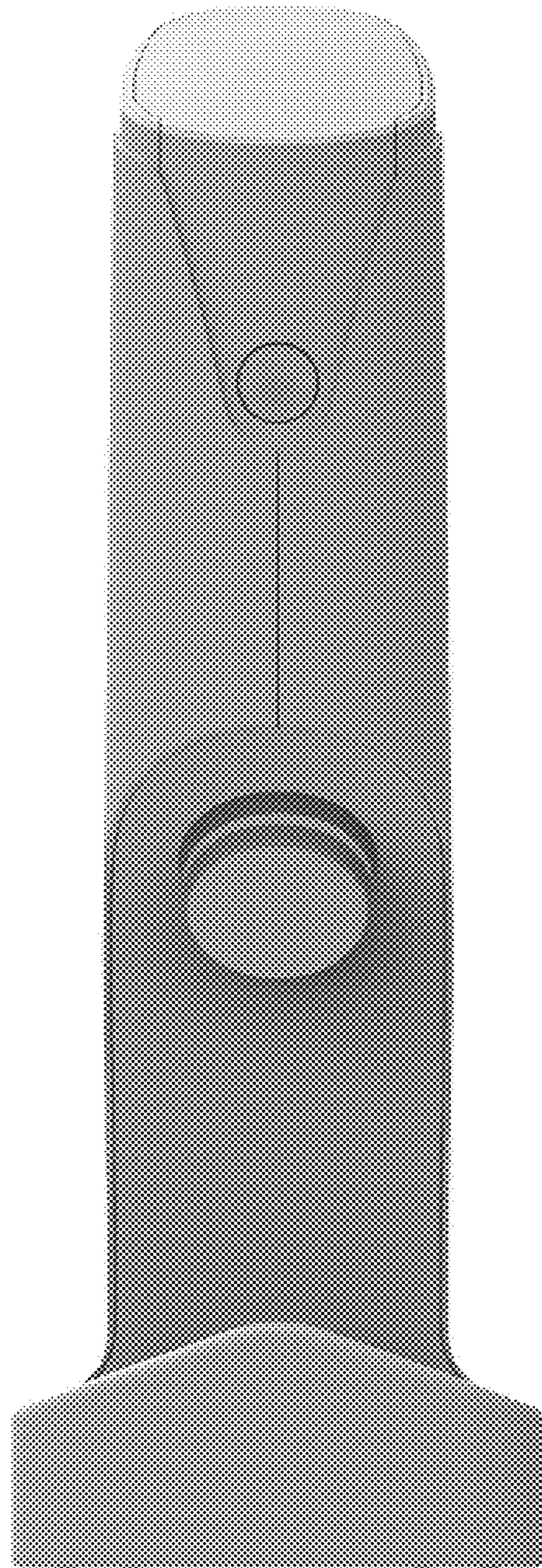


FIG. 4

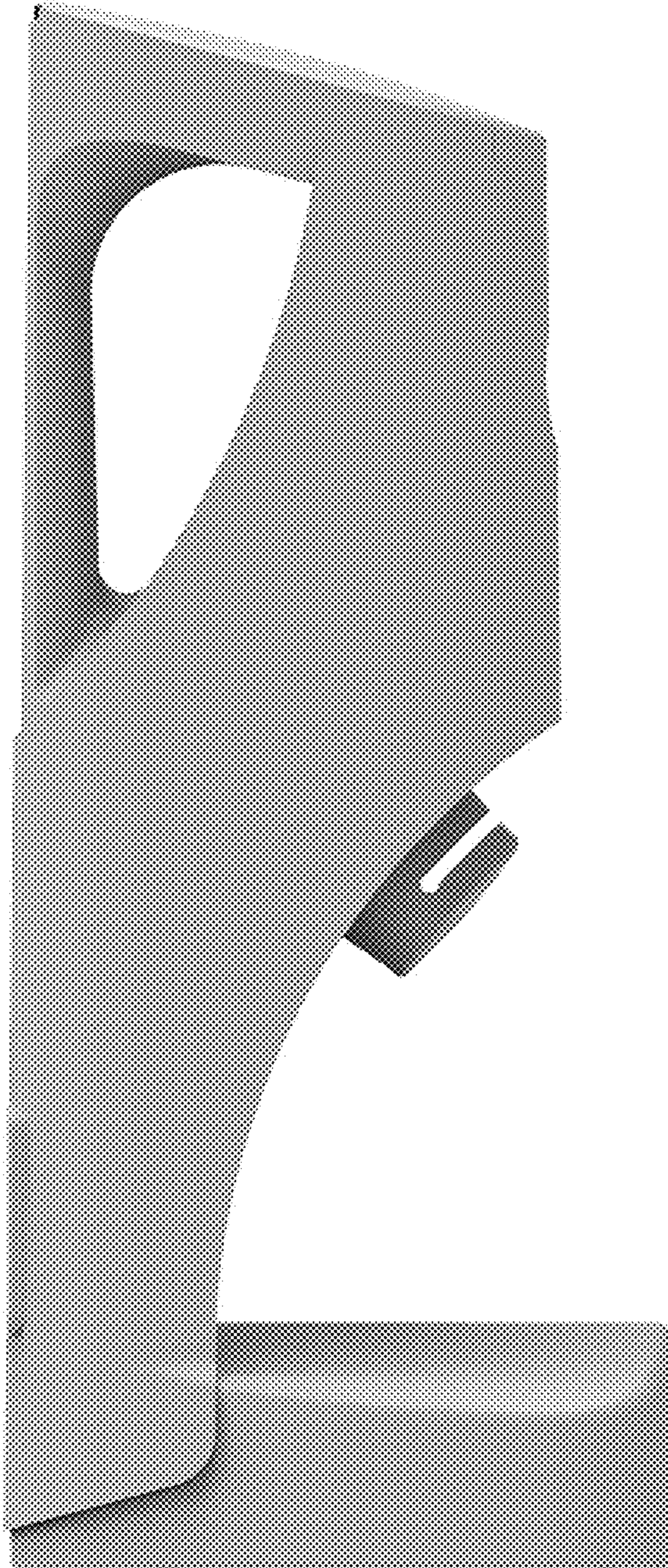


FIG. 5

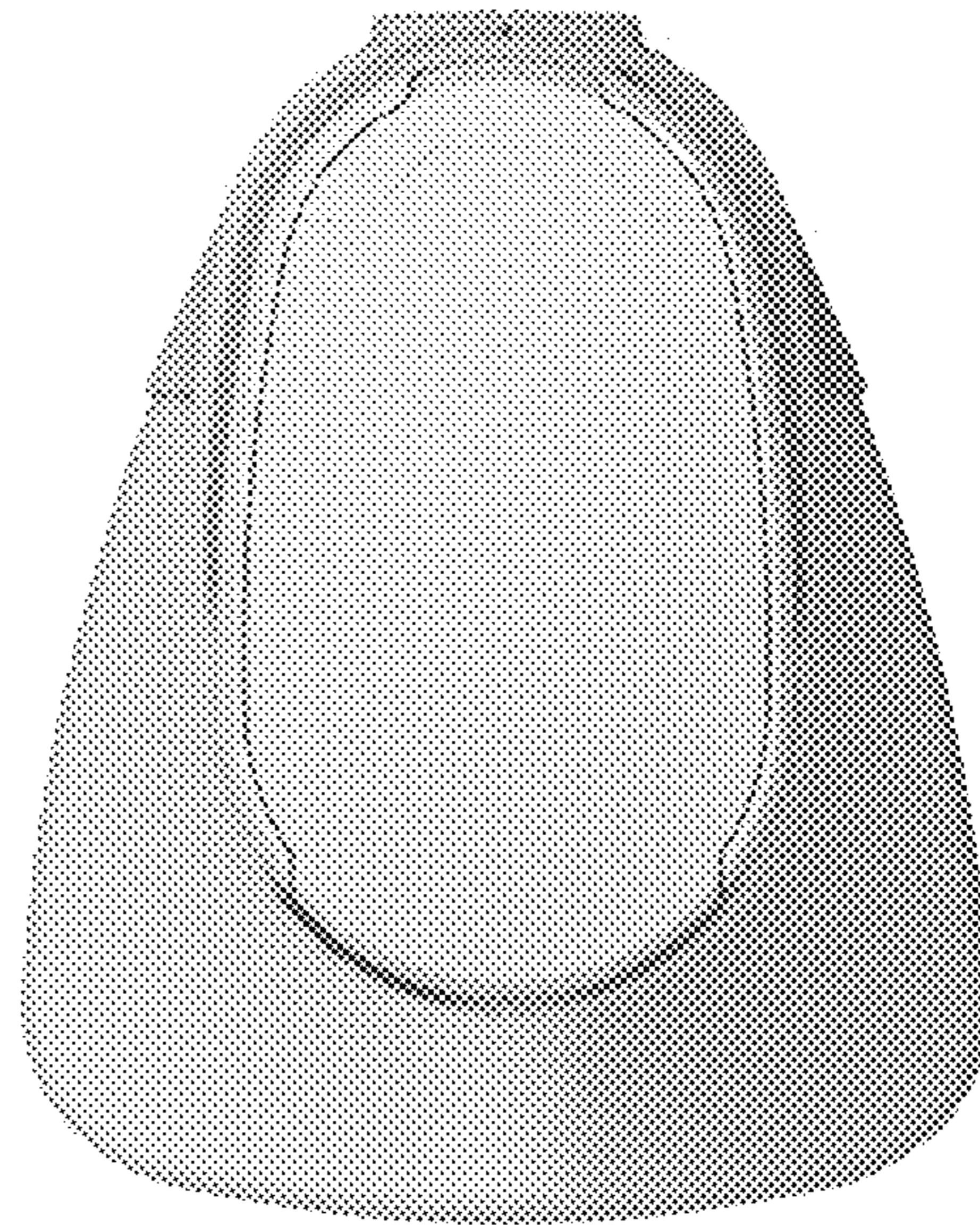


FIG. 6