



US00D930836S

(12) **United States Design Patent** (10) **Patent No.:** **US D930,836 S**
Sutter (45) **Date of Patent:** **** Sep. 14, 2021**

(54) **BLOOD PRESSURE MEASURING APPARATUS FOR VETERINARY USE**

D752,229 S * 3/2016 Chen D24/165
D889,660 S * 7/2020 Xia D24/165
D891,622 S * 7/2020 Ye D24/167
D895,120 S * 9/2020 Hwang D24/167
2009/0138207 A1* 5/2009 Cosentino A61B 5/743
702/19

(71) Applicant: **Boehringer Ingelheim Vetmedica GmbH, Ingelheim (DE)**

(72) Inventor: **Michael Sutter, Zurich (CH)**

FOREIGN PATENT DOCUMENTS

(73) Assignee: **BOEHRINGER INGELHEIM VETMEDICA GMBH, Ingelheim (DE)**

WO D205325-001 * 6/2020

(**) Term: **15 Years**

* cited by examiner

(21) Appl. No.: **29/718,119**

Primary Examiner — Lilyana Bekic

Assistant Examiner — Mary Shannon Malley

(22) Filed: **Dec. 20, 2019**

(74) *Attorney, Agent, or Firm* — Ostrolenk Faber LLP

(30) **Foreign Application Priority Data**

(57) **CLAIM**

Dec. 6, 2019 (WO) WIPO90063

The ornamental design for a blood pressure measuring apparatus for veterinary use, as shown and described.

(51) **LOC (13) Cl.** **24-01**

(52) **U.S. Cl.**
USPC **D24/165**

DESCRIPTION

(58) **Field of Classification Search**
USPC D24/165–168, 107, 186–187; D14/344;
D10/91–93

See application file for complete search history.

FIG. 1 is a top view of a blood pressure measuring apparatus for veterinary use showing my new design;
FIG. 2 is a rear view thereof;
FIG. 3 is a front view thereof;
FIG. 4 is a left view thereof;
FIG. 5 is a right view thereof;
FIG. 6 is a bottom view thereof;
FIG. 7 is a rear perspective view thereof; and,
FIG. 8 is a side perspective view thereof.

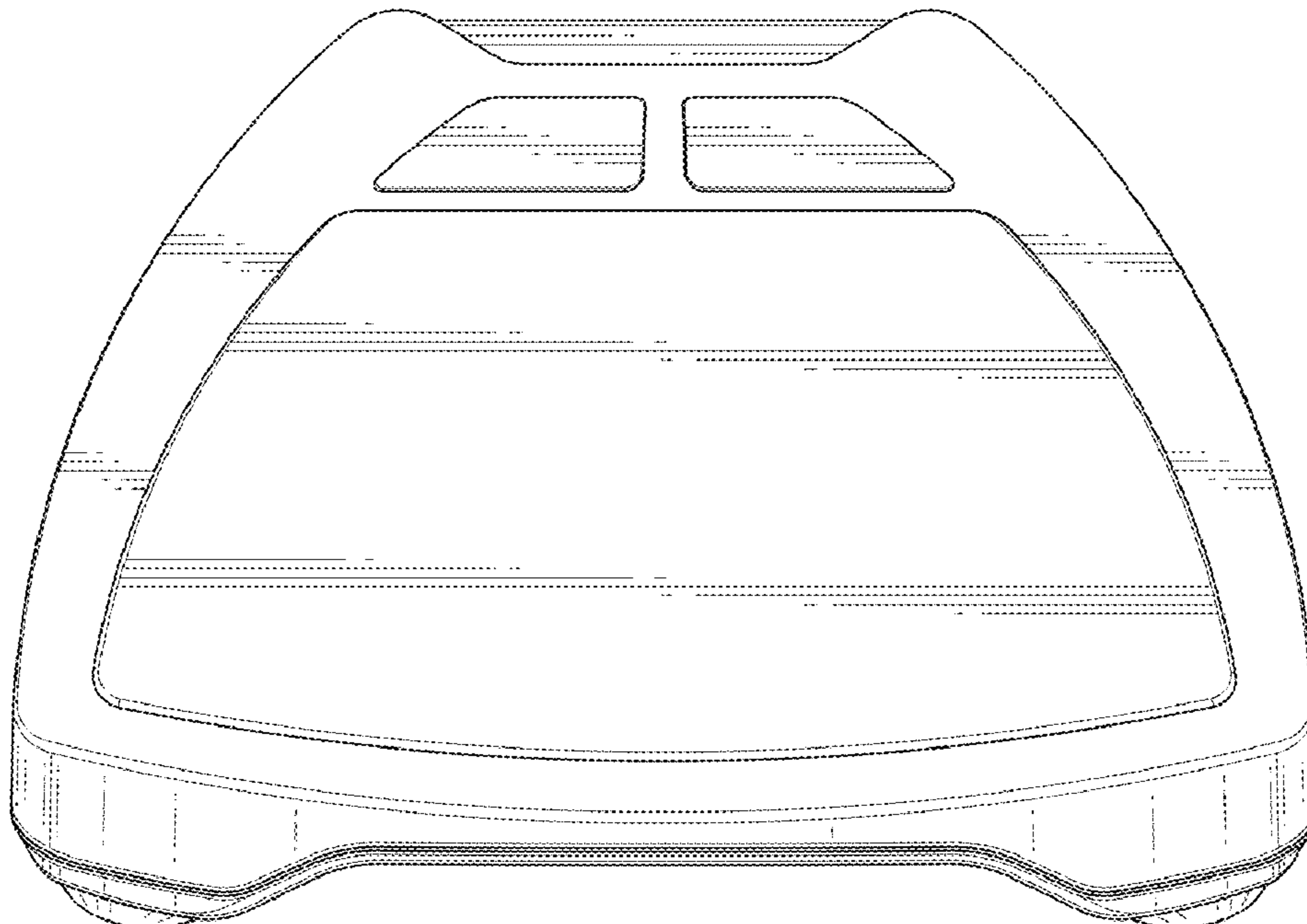
(56) **References Cited**

U.S. PATENT DOCUMENTS

D499,805 S * 12/2004 D'Agostino D10/81
D546,458 S * 7/2007 Hannant D24/186
D581,056 S * 11/2008 Kurokawa D24/186
D582,043 S * 12/2008 Koike D24/165
D622,844 S * 8/2010 Alexander D24/134
D695,410 S * 12/2013 Becker D24/186
D717,677 S * 11/2014 Nardo D10/81
D720,073 S * 12/2014 Shibata D24/165

The broken lines in the drawings illustrate portions of the blood pressure measuring apparatus for veterinary use that form no part of the claimed design.

1 Claim, 8 Drawing Sheets



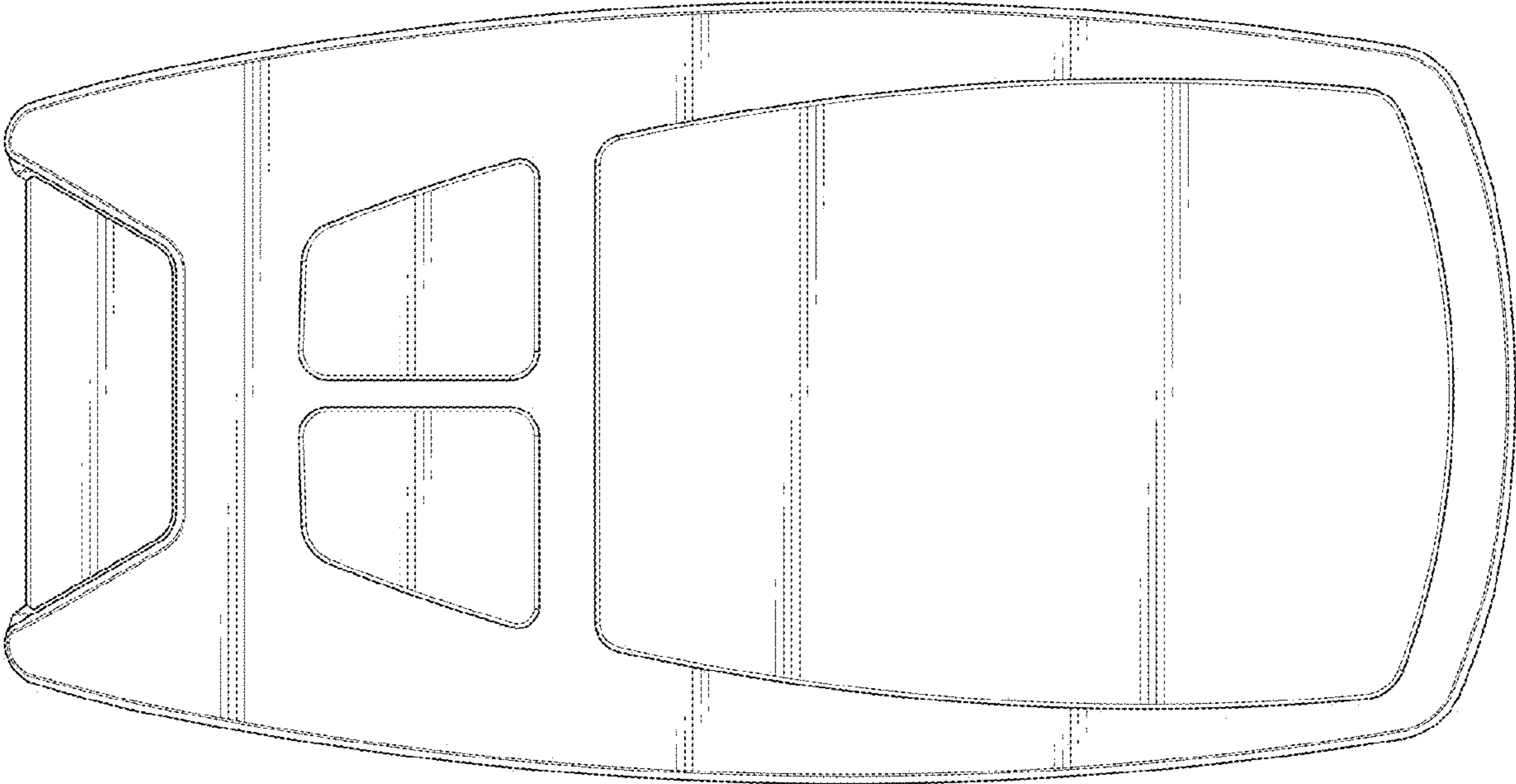


FIG. 1

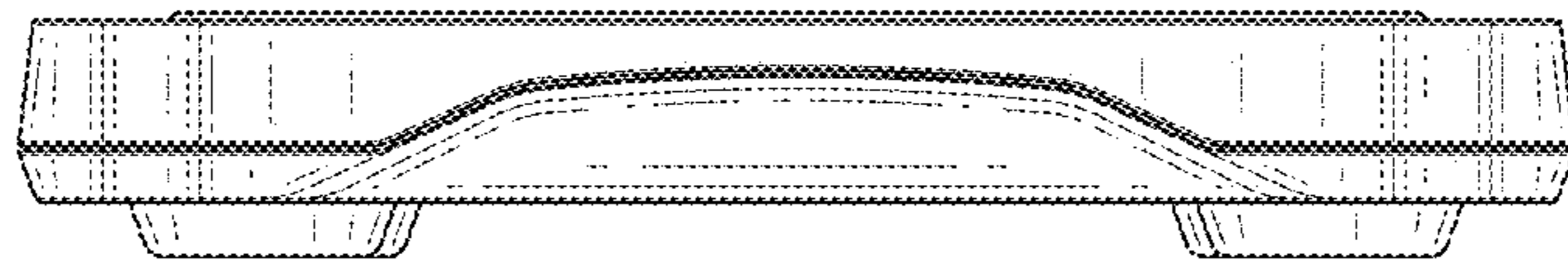


FIG. 2

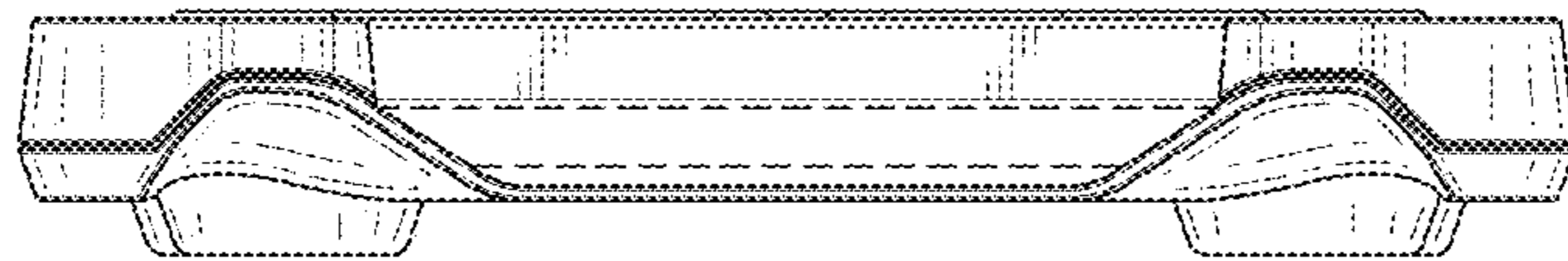


FIG. 3

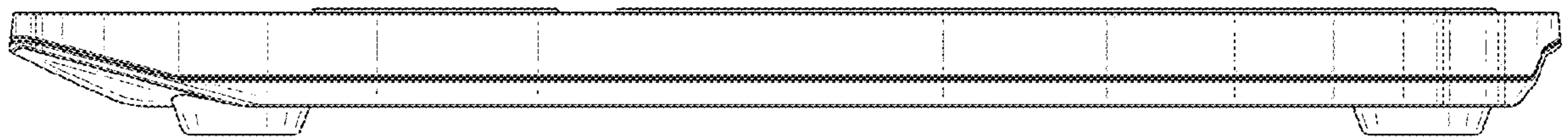


FIG. 4

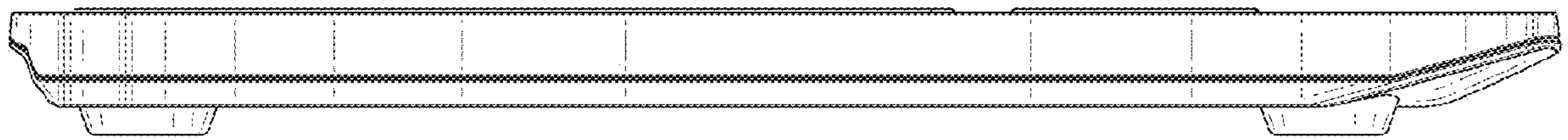


FIG. 5

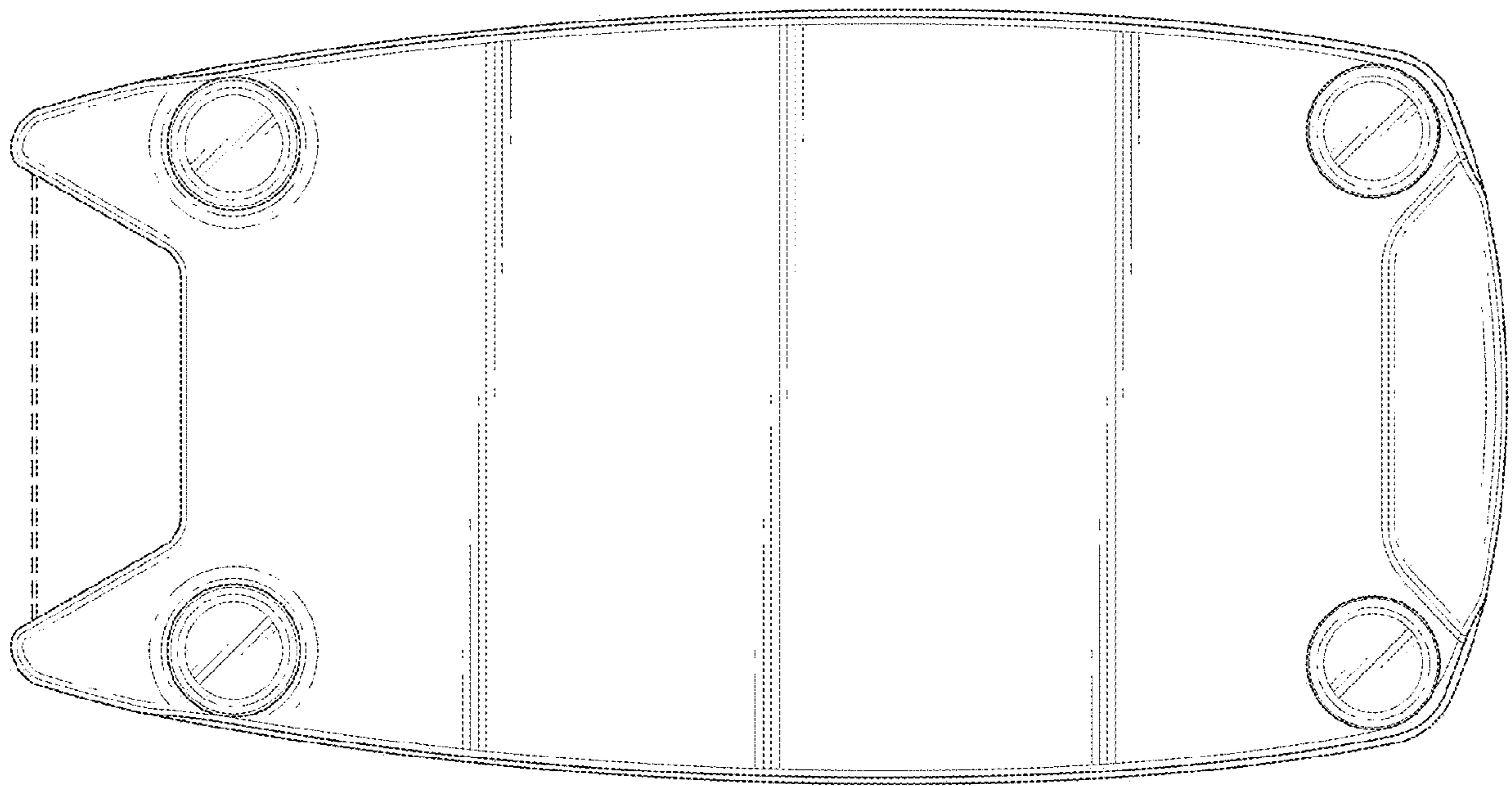


FIG. 6

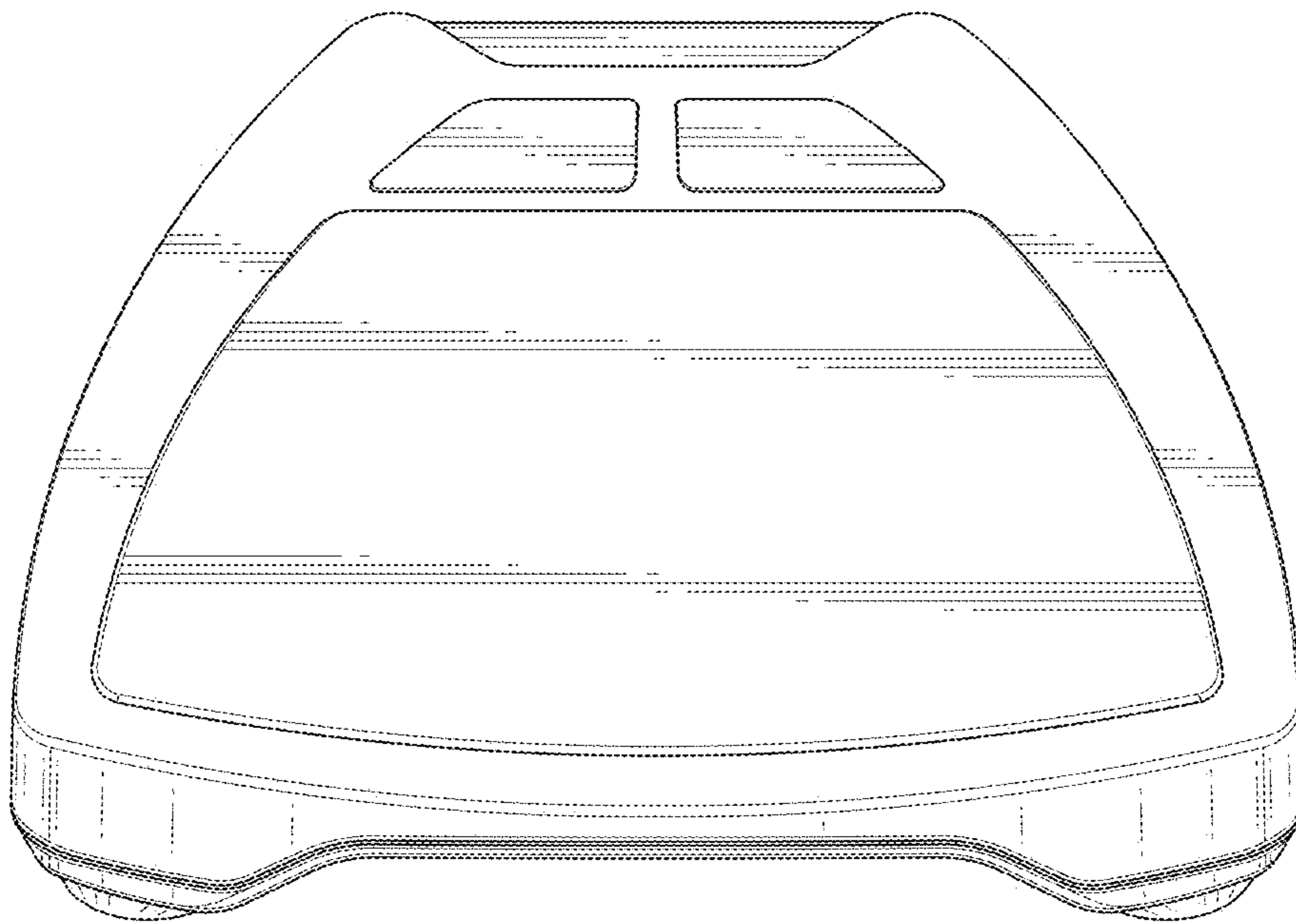


FIG. 7

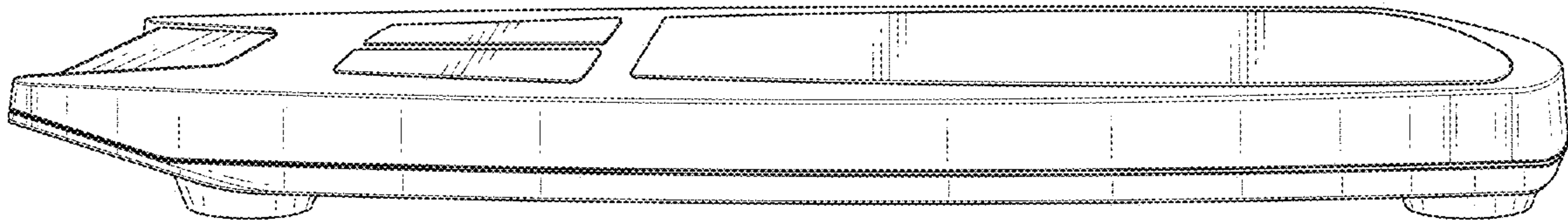


FIG. 8