



US00D930835S

(12) **United States Design Patent** (10) **Patent No.:** **US D930,835 S**  
**Taylor et al.** (45) **Date of Patent:** **\*\* Sep. 14, 2021**

(54) **OXYGEN CONCENTRATOR**

A62B 9/025; A62B 9/027; A62B 9/04;  
A62B 9/06

See application file for complete search history.

(71) Applicant: **INOGEN, INC.**, Goleta, CA (US)

(72) Inventors: **Brenton Alan Taylor**, Kenwood, CA (US); **Peter James Hansen**, Santa Barbara, CA (US); **Daniel Wayne Chin**, Summerland, CA (US); **Patrick Fitzlindon Burgess**, Dunedin, FL (US)

(56) **References Cited**

U.S. PATENT DOCUMENTS

D471,982 S \* 3/2003 Cheng ..... D24/164  
D513,074 S \* 12/2005 Nakamura ..... D24/164  
D604,417 S \* 11/2009 Fujimoto ..... D24/164

(Continued)

(73) Assignee: **Inogen, Inc.**, Goleta, CA (US)

OTHER PUBLICATIONS

(\*\*) Term: **15 Years**

Youtube, "OxyGo: Don't Worry About Running Out of Oxygen (120 sec)", first available Oct. 12, 2015. (<https://www.youtube.com/watch?v=DQdFdnToHus>) (Year: 2015).\*

(Continued)

(21) Appl. No.: **29/685,960**

(22) Filed: **Apr. 1, 2019**

*Primary Examiner* — April Rivas

*Assistant Examiner* — Justin A Johnson

(51) **LOC (13) Cl.** ..... **24-02**

(74) *Attorney, Agent, or Firm* — Knobbe Martens Olson & Bear, LLP

(52) **U.S. Cl.**

USPC ..... **D24/164**

(57) **CLAIM**

(58) **Field of Classification Search**

The ornamental design for an oxygen concentrator, as shown and described.

USPC ..... D23/235, 355, 356; D24/110, 110.1, 110.2, 110.3, 110.4, 110.5, 110.6, 110.7, 110.8, 110.9, 110.10, 110.11, 110.12, 110.13, 110.14, 110.15, 110.16, 110.17, 110.18, 110.19, 110.20, 110.21, 110.22, 110.23, 110.24, 110.25, 110.26, 110.27, 110.28, 110.29, 110.30, 110.31, 110.32, 110.33, 110.34, 110.35, 110.36, 110.37, 110.38, 110.39, 110.40, 110.41, 110.42, 110.43, 110.44, 110.45, 110.46, 110.47, 110.48, 110.49, 110.50, 110.51, 110.52, 110.53, 110.54, 110.55, 110.56, 110.57, 110.58, 110.59, 110.60, 110.61, 110.62, 110.63, 110.64, 110.65, 110.66, 110.67, 110.68, 110.69, 110.70, 110.71, 110.72, 110.73, 110.74, 110.75, 110.76, 110.77, 110.78, 110.79, 110.80, 110.81, 110.82, 110.83, 110.84, 110.85, 110.86, 110.87, 110.88, 110.89, 110.90, 110.91, 110.92, 110.93, 110.94, 110.95, 110.96, 110.97, 110.98, 110.99, 111.01, 111.02, 111.03, 111.04, 111.05, 111.06, 111.07, 111.08, 111.09, 111.10, 111.11, 111.12, 111.13, 111.14, 111.15, 111.16, 111.17, 111.18, 111.19, 111.20, 111.21, 111.22, 111.23, 111.24, 111.25, 111.26, 111.27, 111.28, 111.29, 111.30, 111.31, 111.32, 111.33, 111.34, 111.35, 111.36, 111.37, 111.38, 111.39, 111.40, 111.41, 111.42, 111.43, 111.44, 111.45, 111.46, 111.47, 111.48, 111.49, 111.50, 111.51, 111.52, 111.53, 111.54, 111.55, 111.56, 111.57, 111.58, 111.59, 111.60, 111.61, 111.62, 111.63, 111.64, 111.65, 111.66, 111.67, 111.68, 111.69, 111.70, 111.71, 111.72, 111.73, 111.74, 111.75, 111.76, 111.77, 111.78, 111.79, 111.80, 111.81, 111.82, 111.83, 111.84, 111.85, 111.86, 111.87, 111.88, 111.89, 111.90, 111.91, 111.92, 111.93, 111.94, 111.95, 111.96, 111.97, 111.98, 111.99, 112.01, 112.02, 112.03, 112.04, 112.05, 112.06, 112.07, 112.08, 112.09, 112.10, 112.11, 112.12, 112.13, 112.14, 112.15, 112.16, 112.17, 112.18, 112.19, 112.20, 112.21, 112.22, 112.23, 112.24, 112.25, 112.26, 112.27, 112.28, 112.29, 112.30, 112.31, 112.32, 112.33, 112.34, 112.35, 112.36, 112.37, 112.38, 112.39, 112.40, 112.41, 112.42, 112.43, 112.44, 112.45, 112.46, 112.47, 112.48, 112.49, 112.50, 112.51, 112.52, 112.53, 112.54, 112.55, 112.56, 112.57, 112.58, 112.59, 112.60, 112.61, 112.62, 112.63, 112.64, 112.65, 112.66, 112.67, 112.68, 112.69, 112.70, 112.71, 112.72, 112.73, 112.74, 112.75, 112.76, 112.77, 112.78, 112.79, 112.80, 112.81, 112.82, 112.83, 112.84, 112.85, 112.86, 112.87, 112.88, 112.89, 112.90, 112.91, 112.92, 112.93, 112.94, 112.95, 112.96, 112.97, 112.98, 112.99, 113.01, 113.02, 113.03, 113.04, 113.05, 113.06, 113.07, 113.08, 113.09, 113.10, 113.11, 113.12, 113.13, 113.14, 113.15, 113.16, 113.17, 113.18, 113.19, 113.20, 113.21, 113.22, 113.23, 113.24, 113.25, 113.26, 113.27, 113.28, 113.29, 113.30, 113.31, 113.32, 113.33, 113.34, 113.35, 113.36, 113.37, 113.38, 113.39, 113.40, 113.41, 113.42, 113.43, 113.44, 113.45, 113.46, 113.47, 113.48, 113.49, 113.50, 113.51, 113.52, 113.53, 113.54, 113.55, 113.56, 113.57, 113.58, 113.59, 113.60, 113.61, 113.62, 113.63, 113.64, 113.65, 113.66, 113.67, 113.68, 113.69, 113.70, 113.71, 113.72, 113.73, 113.74, 113.75, 113.76, 113.77, 113.78, 113.79, 113.80, 113.81, 113.82, 113.83, 113.84, 113.85, 113.86, 113.87, 113.88, 113.89, 113.90, 113.91, 113.92, 113.93, 113.94, 113.95, 113.96, 113.97, 113.98, 113.99, 114.01, 114.02, 114.03, 114.04, 114.05, 114.06, 114.07, 114.08, 114.09, 114.10, 114.11, 114.12, 114.13, 114.14, 114.15, 114.16, 114.17, 114.18, 114.19, 114.20, 114.21, 114.22, 114.23, 114.24, 114.25, 114.26, 114.27, 114.28, 114.29, 114.30, 114.31, 114.32, 114.33, 114.34, 114.35, 114.36, 114.37, 114.38, 114.39, 114.40, 114.41, 114.42, 114.43, 114.44, 114.45, 114.46, 114.47, 114.48, 114.49, 114.50, 114.51, 114.52, 114.53, 114.54, 114.55, 114.56, 114.57, 114.58, 114.59, 114.60, 114.61, 114.62, 114.63, 114.64, 114.65, 114.66, 114.67, 114.68, 114.69, 114.70, 114.71, 114.72, 114.73, 114.74, 114.75, 114.76, 114.77, 114.78, 114.79, 114.80, 114.81, 114.82, 114.83, 114.84, 114.85, 114.86, 114.87, 114.88, 114.89, 114.90, 114.91, 114.92, 114.93, 114.94, 114.95, 114.96, 114.97, 114.98, 114.99, 115.01, 115.02, 115.03, 115.04, 115.05, 115.06, 115.07, 115.08, 115.09, 115.10, 115.11, 115.12, 115.13, 115.14, 115.15, 115.16, 115.17, 115.18, 115.19, 115.20, 115.21, 115.22, 115.23, 115.24, 115.25, 115.26, 115.27, 115.28, 115.29, 115.30, 115.31, 115.32, 115.33, 115.34, 115.35, 115.36, 115.37, 115.38, 115.39, 115.40, 115.41, 115.42, 115.43, 115.44, 115.45, 115.46, 115.47, 115.48, 115.49, 115.50, 115.51, 115.52, 115.53, 115.54, 115.55, 115.56, 115.57, 115.58, 115.59, 115.60, 115.61, 115.62, 115.63, 115.64, 115.65, 115.66, 115.67, 115.68, 115.69, 115.70, 115.71, 115.72, 115.73, 115.74, 115.75, 115.76, 115.77, 115.78, 115.79, 115.80, 115.81, 115.82, 115.83, 115.84, 115.85, 115.86, 115.87, 115.88, 115.89, 115.90, 115.91, 115.92, 115.93, 115.94, 115.95, 115.96, 115.97, 115.98, 115.99, 116.01, 116.02, 116.03, 116.04, 116.05, 116.06, 116.07, 116.08, 116.09, 116.10, 116.11, 116.12, 116.13, 116.14, 116.15, 116.16, 116.17, 116.18, 116.19, 116.20, 116.21, 116.22, 116.23, 116.24, 116.25, 116.26, 116.27, 116.28, 116.29, 116.30, 116.31, 116.32, 116.33, 116.34, 116.35, 116.36, 116.37, 116.38, 116.39, 116.40, 116.41, 116.42, 116.43, 116.44, 116.45, 116.46, 116.47, 116.48, 116.49, 116.50, 116.51, 116.52, 116.53, 116.54, 116.55, 116.56, 116.57, 116.58, 116.59, 116.60, 116.61, 116.62, 116.63, 116.64, 116.65, 116.66, 116.67, 116.68, 116.69, 116.70, 116.71, 116.72, 116.73, 116.74, 116.75, 116.76, 116.77, 116.78, 116.79, 116.80, 116.81, 116.82, 116.83, 116.84, 116.85, 116.86, 116.87, 116.88, 116.89, 116.90, 116.91, 116.92, 116.93, 116.94, 116.95, 116.96, 116.97, 116.98, 116.99, 117.01, 117.02, 117.03, 117.04, 117.05, 117.06, 117.07, 117.08, 117.09, 117.10, 117.11, 117.12, 117.13, 117.14, 117.15, 117.16, 117.17, 117.18, 117.19, 117.20, 117.21, 117.22, 117.23, 117.24, 117.25, 117.26, 117.27, 117.28, 117.29, 117.30, 117.31, 117.32, 117.33, 117.34, 117.35, 117.36, 117.37, 117.38, 117.39, 117.40, 117.41, 117.42, 117.43, 117.44, 117.45, 117.46, 117.47, 117.48, 117.49, 117.50, 117.51, 117.52, 117.53, 117.54, 117.55, 117.56, 117.57, 117.58, 117.59, 117.60, 117.61, 117.62, 117.63, 117.64, 117.65, 117.66, 117.67, 117.68, 117.69, 117.70, 117.71, 117.72, 117.73, 117.74, 117.75, 117.76, 117.77, 117.78, 117.79, 117.80, 117.81, 117.82, 117.83, 117.84, 117.85, 117.86, 117.87, 117.88, 117.89, 117.90, 117.91, 117.92, 117.93, 117.94, 117.95, 117.96, 117.97, 117.98, 117.99, 118.01, 118.02, 118.03, 118.04, 118.05, 118.06, 118.07, 118.08, 118.09, 118.10, 118.11, 118.12, 118.13, 118.14, 118.15, 118.16, 118.17, 118.18, 118.19, 118.20, 118.21, 118.22, 118.23, 118.24, 118.25, 118.26, 118.27, 118.28, 118.29, 118.30, 118.31, 118.32, 118.33, 118.34, 118.35, 118.36, 118.37, 118.38, 118.39, 118.40, 118.41, 118.42, 118.43, 118.44, 118.45, 118.46, 118.47, 118.48, 118.49, 118.50, 118.51, 118.52, 118.53, 118.54, 118.55, 118.56, 118.57, 118.58, 118.59, 118.60, 118.61, 118.62, 118.63, 118.64, 118.65, 118.66, 118.67, 118.68, 118.69, 118.70, 118.71, 118.72, 118.73, 118.74, 118.75, 118.76, 118.77, 118.78, 118.79, 118.80, 118.81, 118.82, 118.83, 118.84, 118.85, 118.86, 118.87, 118.88, 118.89, 118.90, 118.91, 118.92, 118.93, 118.94, 118.95, 118.96, 118.97, 118.98, 118.99, 119.01, 119.02, 119.03, 119.04, 119.05, 119.06, 119.07, 119.08, 119.09, 119.10, 119.11, 119.12, 119.13, 119.14, 119.15, 119.16, 119.17, 119.18, 119.19, 119.20, 119.21, 119.22, 119.23, 119.24, 119.25, 119.26, 119.27, 119.28, 119.29, 119.30, 119.31, 119.32, 119.33, 119.34, 119.35, 119.36, 119.37, 119.38, 119.39, 119.40, 119.41, 119.42, 119.43, 119.44, 119.45, 119.46, 119.47, 119.48, 119.49, 119.50, 119.51, 119.52, 119.53, 119.54, 119.55, 119.56, 119.57, 119.58, 119.59, 119.60, 119.61, 119.62, 119.63, 119.64, 119.65, 119.66, 119.67, 119.68, 119.69, 119.70, 119.71, 119.72, 119.73, 119.74, 119.75, 119.76, 119.77, 119.78, 119.79, 119.80, 119.81, 119.82, 119.83, 119.84, 119.85, 119.86, 119.87, 119.88, 119.89, 119.90, 119.91, 119.92, 119.93, 119.94, 119.95, 119.96, 119.97, 119.98, 119.99, 120.01, 120.02, 120.03, 120.04, 120.05, 120.06, 120.07, 120.08, 120.09, 120.10, 120.11, 120.12, 120.13, 120.14, 120.15, 120.16, 120.17, 120.18, 120.19, 120.20, 120.21, 120.22, 120.23, 120.24, 120.25, 120.26, 120.27, 120.28, 120.29, 120.30, 120.31, 120.32, 120.33, 120.34, 120.35, 120.36, 120.37, 120.38, 120.39, 120.40, 120.41, 120.42, 120.43, 120.44, 120.45, 120.46, 120.47, 120.48, 120.49, 120.50, 120.51, 120.52, 120.53, 120.54, 120.55, 120.56, 120.57, 120.58, 120.59, 120.60, 120.61, 120.62, 120.63, 120.64, 120.65, 120.66, 120.67, 120.68, 120.69, 120.70, 120.71, 120.72, 120.73, 120.74, 120.75, 120.76, 120.77, 120.78, 120.79, 120.80, 120.81, 120.82, 120.83, 120.84, 120.85, 120.86, 120.87, 120.88, 120.89, 120.90, 120.91, 120.92, 120.93, 120.94, 120.95, 120.96, 120.97, 120.98, 120.99, 121.01, 121.02, 121.03, 121.04, 121.05, 121.06, 121.07, 121.08, 121.09, 121.10, 121.11, 121.12, 121.13, 121.14, 121.15, 121.16, 121.17, 121.18, 121.19, 121.20, 121.21, 121.22, 121.23, 121.24, 121.25, 121.26, 121.27, 121.28, 121.29, 121.30, 121.31, 121.32, 121.33, 121.34, 121.35, 121.36, 121.37, 121.38, 121.39, 121.40, 121.41, 121.42, 121.43, 121.44, 121.45, 121.46, 121.47, 121.48, 121.49, 121.50, 121.51, 121.52, 121.53, 121.54, 121.55, 121.56, 121.57, 121.58, 121.59, 121.60, 121.61, 121.62, 121.63, 121.64, 121.65, 121.66, 121.67, 121.68, 121.69, 121.70, 121.71, 121.72, 121.73, 121.74, 121.75, 121.76, 121.77, 121.78, 121.79, 121.80, 121.81, 121.82, 121.83, 121.84, 121.85, 121.86, 121.87, 121.88, 121.89, 121.90, 121.91, 121.92, 121.93, 121.94, 121.95, 121.96, 121.97, 121.98, 121.99, 122.01, 122.02, 122.03, 122.04, 122.05, 122.06, 122.07, 122.08, 122.09, 122.10, 122.11, 122.12, 122.13, 122.14, 122.15, 122.16, 122.17, 122.18, 122.19, 122.20, 122.21, 122.22, 122.23, 122.24, 122.25, 122.26, 122.27, 122.28, 122.29, 122.30, 122.31, 122.32, 122.33, 122.34, 122.35, 122.36, 122.37, 122.38, 122.39, 122.40, 122.41, 122.42, 122.43, 122.44, 122.45, 122.46, 122.47, 122.48, 122.49, 122.50, 122.51, 122.52, 122.53, 122.54, 122.55, 122.56, 122.57, 122.58, 122.59, 122.60, 122.61, 122.62, 122.63, 122.64, 122.65, 122.66, 122.67, 122.68, 122.69, 122.70, 122.71, 122.72, 122.73, 122.74, 122.75, 122.76, 122.77, 122.78, 122.79, 122.80, 122.81, 122.82, 122.83, 122.84, 122.85, 122.86, 122.87, 122.88, 122.89, 122.90, 122.91, 122.92, 122.93, 122.94, 122.95, 122.96, 122.97, 122.98, 122.99, 123.01, 123.02, 123.03, 123.04, 123.05, 123.06, 123.07, 123.08, 123.09, 123.10, 123.11, 123.12, 123.13, 123.14, 123.15, 123.16, 123.17, 123.18, 123.19, 123.20, 123.21, 123.22, 123.23, 123.24, 123.25, 123.26, 123.27, 123.28, 123.29, 123.30, 123.31, 123.32, 123.33, 123.34, 123.35, 123.36, 123.37, 123.38, 123.39, 123.40, 123.41, 123.42, 123.43, 123.44, 123.45, 123.46, 123.47, 123.48, 123.49, 123.50, 123.51, 123.52, 123.53,

FIG. 8 is a bottom view of the oxygen concentrator in FIG. 1.  
FIG. 9 is a front view of the oxygen concentrator in FIG. 1;  
and,  
FIG. 10 is a rear view of the oxygen concentrator in FIG. 1.

D808,017 S \* 1/2018 Ito ..... D24/164  
D854,691 S \* 7/2019 Kondo ..... D24/164  
D860,459 S \* 9/2019 Burgess ..... B01D 53/047  
D24/164  
2018/0344963 A1\* 12/2018 Taylor ..... A61M 16/0875  
2020/0309303 A1\* 10/2020 Taylor ..... B01D 53/047

**1 Claim, 6 Drawing Sheets**

**OTHER PUBLICATIONS**

(56)

**References Cited**

**U.S. PATENT DOCUMENTS**

D607,107 S \* 12/2009 McCombs ..... D24/164  
D642,273 S \* 7/2011 McCombs ..... D24/164  
D693,005 S \* 11/2013 Nawata ..... D24/164  
D700,701 S \* 3/2014 Taylor ..... D24/164  
D749,220 S \* 2/2016 Taylor ..... D24/164

Facebook, "Ein Hoch auf die Technik!", first available Jun. 13, 2017. (<https://www.facebook.com/OxyCare.GmbH/photos/a.256912630987119/1561693647175671/?type=3&theater>) (Year: 2017).\*  
Youtube, "Inogen One G5—First Look, Unboxing and Review", first available Jul. 3, 2019. ([https://www.youtube.com/watch?v=e1-2MpTdtqU&feature=emb\\_title](https://www.youtube.com/watch?v=e1-2MpTdtqU&feature=emb_title)) (Year: 2019).\*  
Inogen, "Introducing Inogen One G5", first available Apr. 3, 2019. (<https://www.inogen.com/blog/introducing-inogen-one-g5/>) (Year: 2019).\*

\* cited by examiner

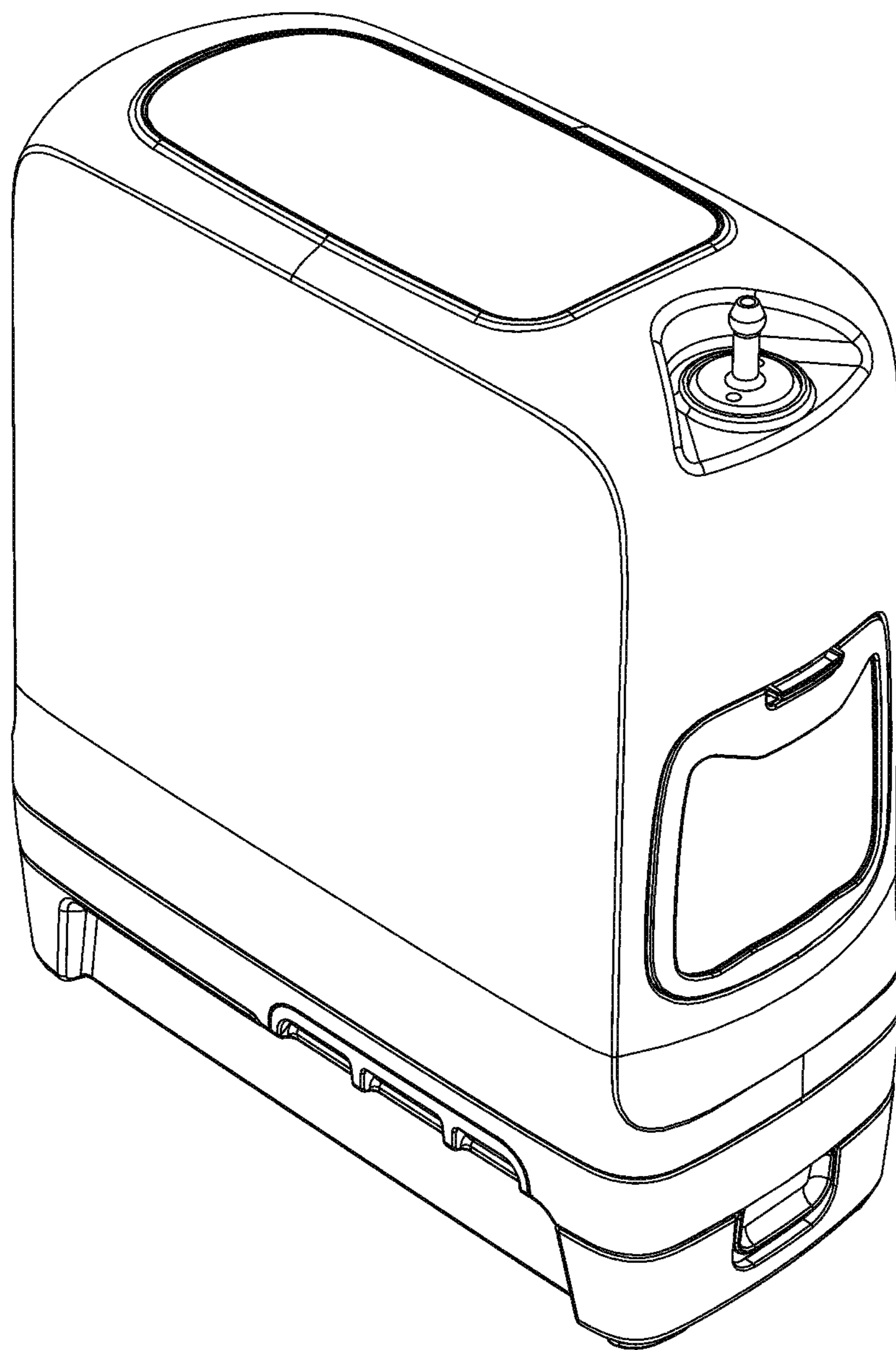


FIG. 1

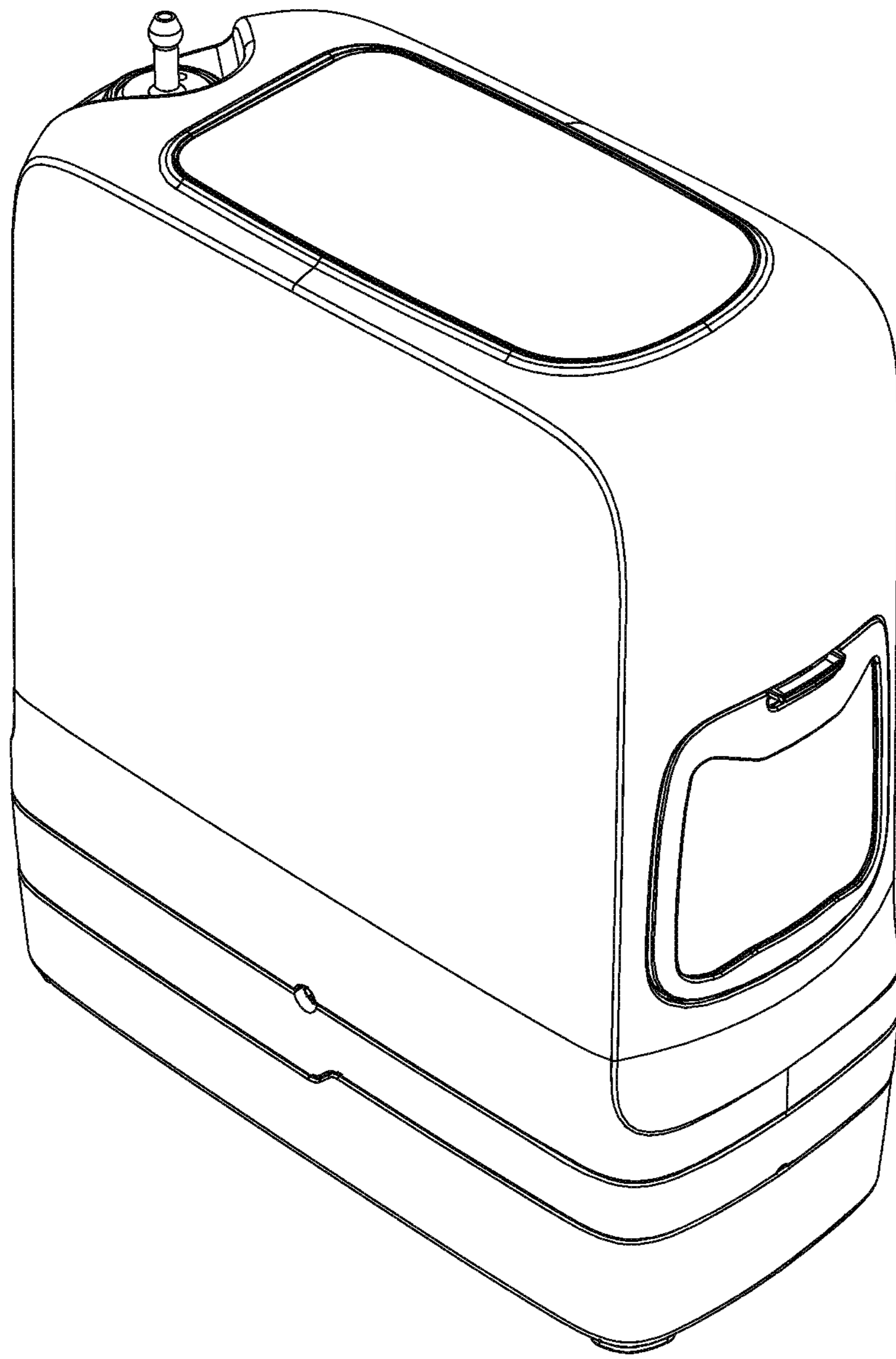


FIG. 2



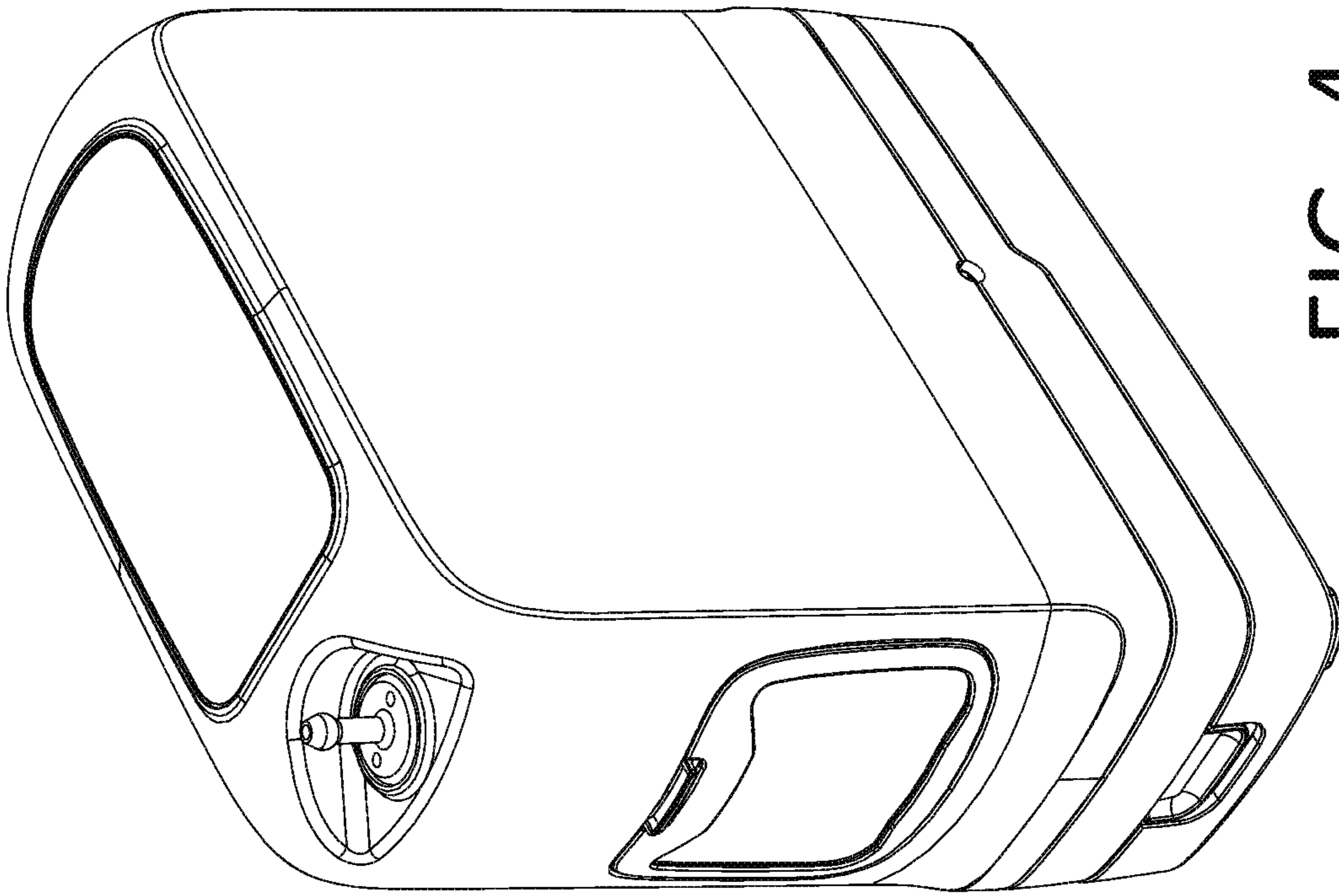


FIG. 4

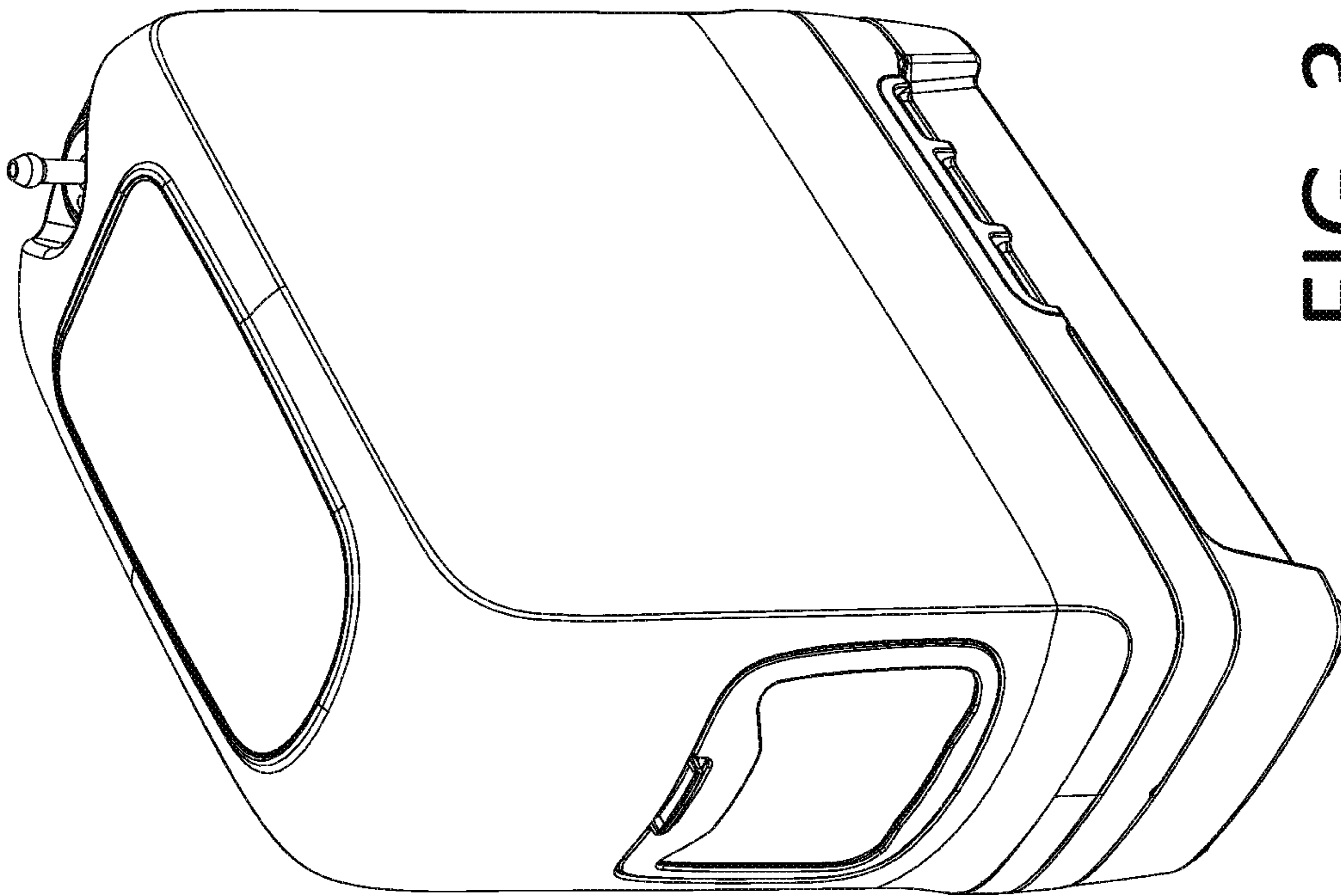


FIG. 3

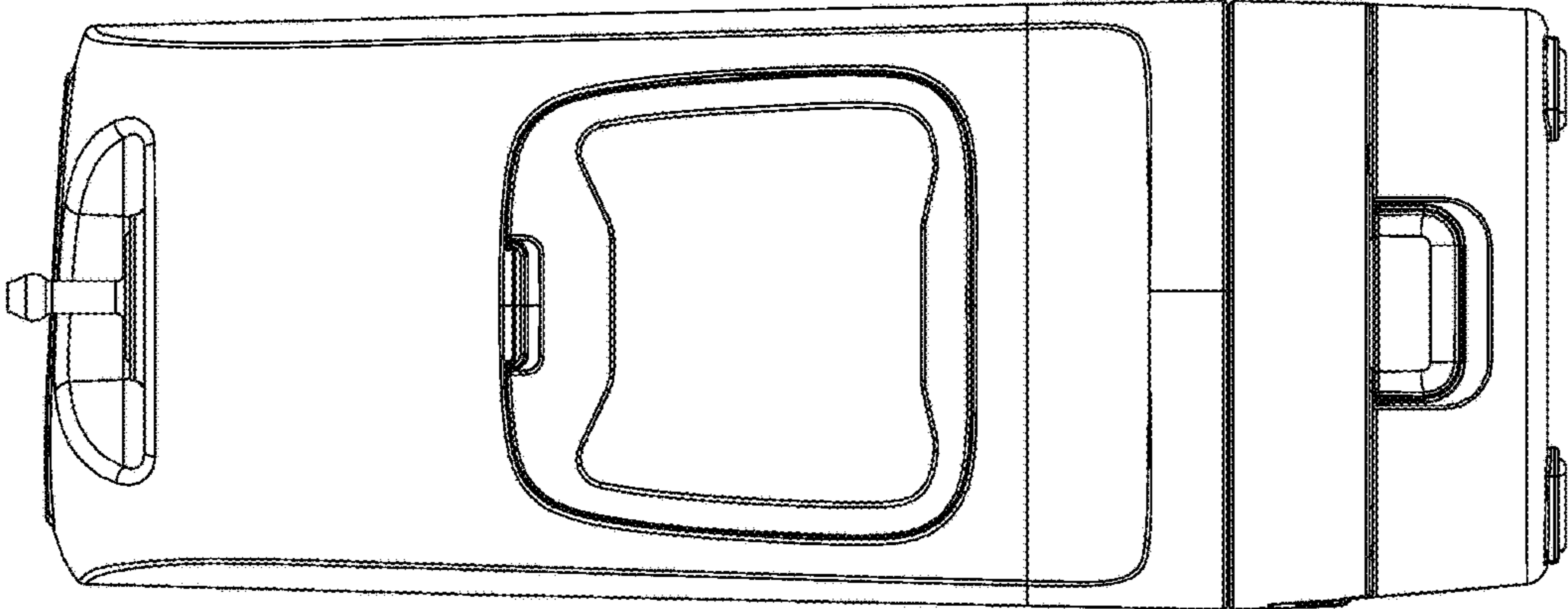


FIG. 5

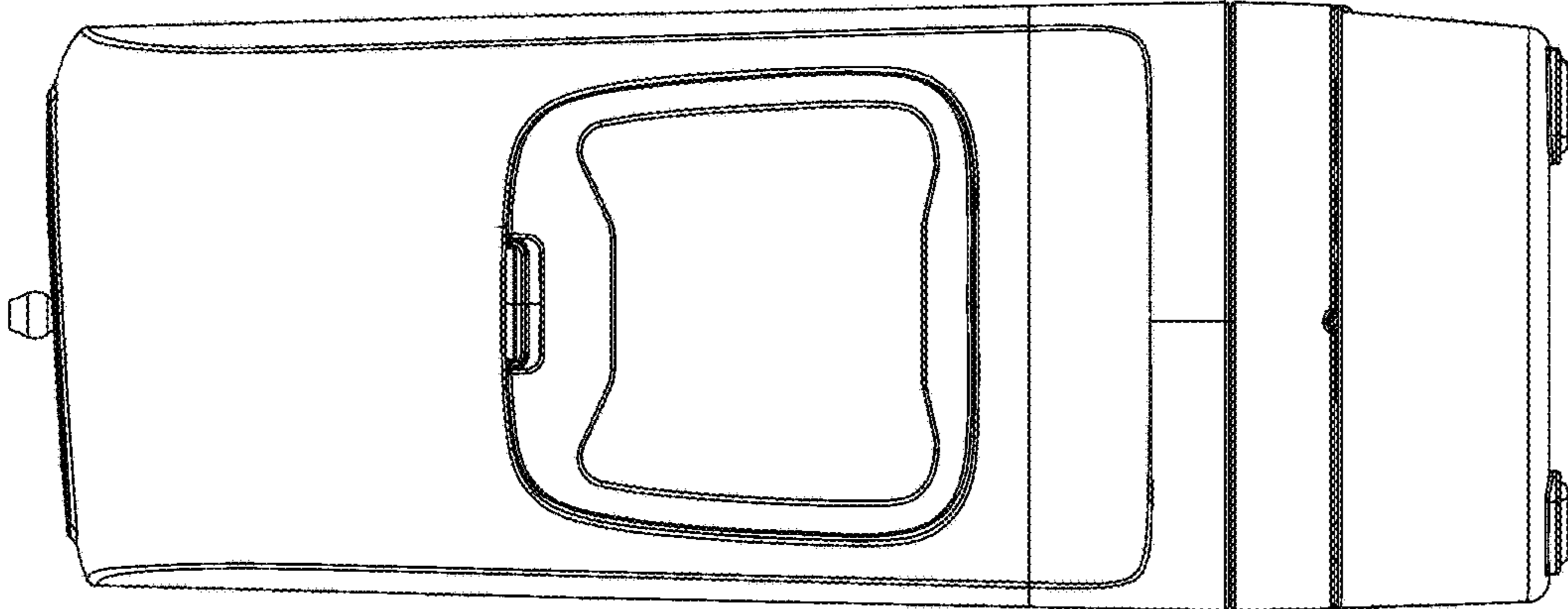


FIG. 6

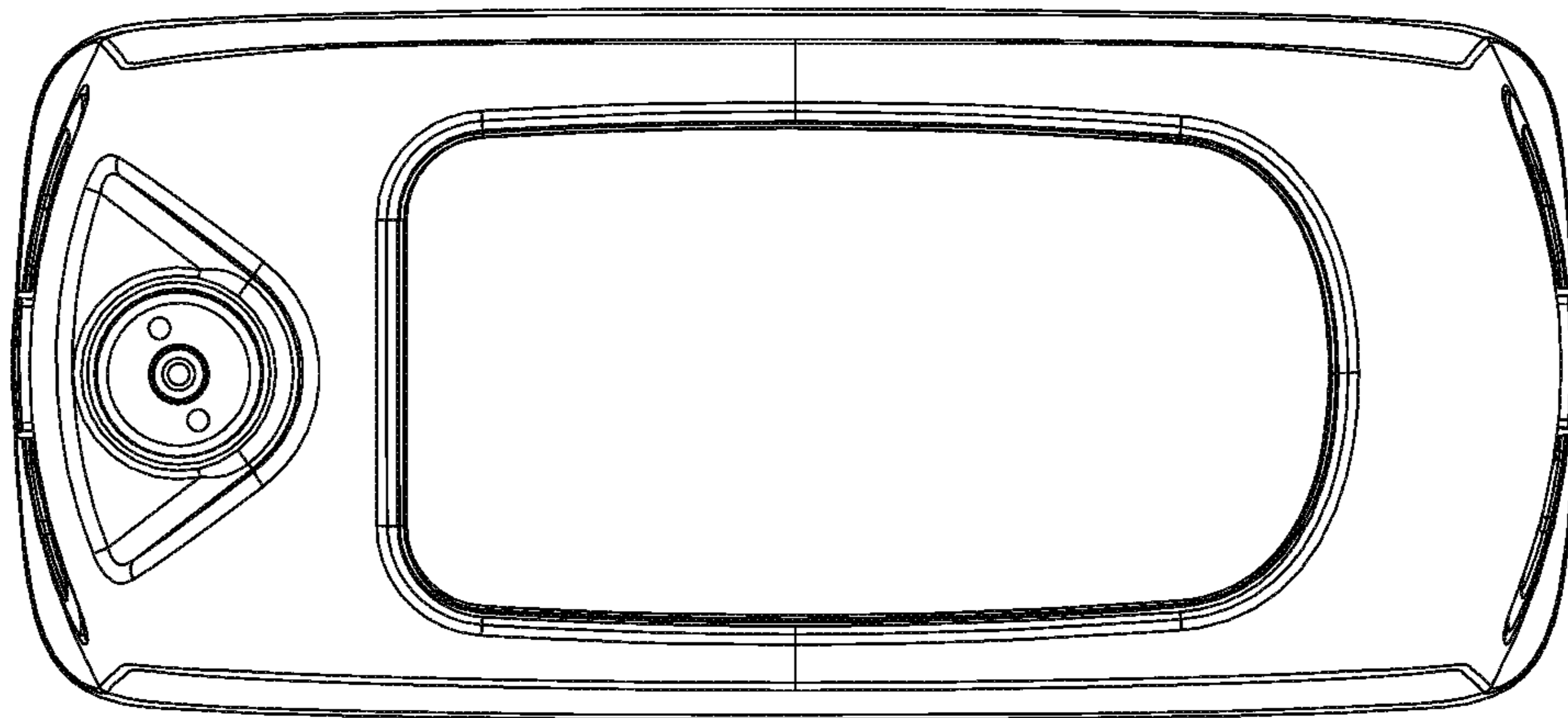


FIG. 7

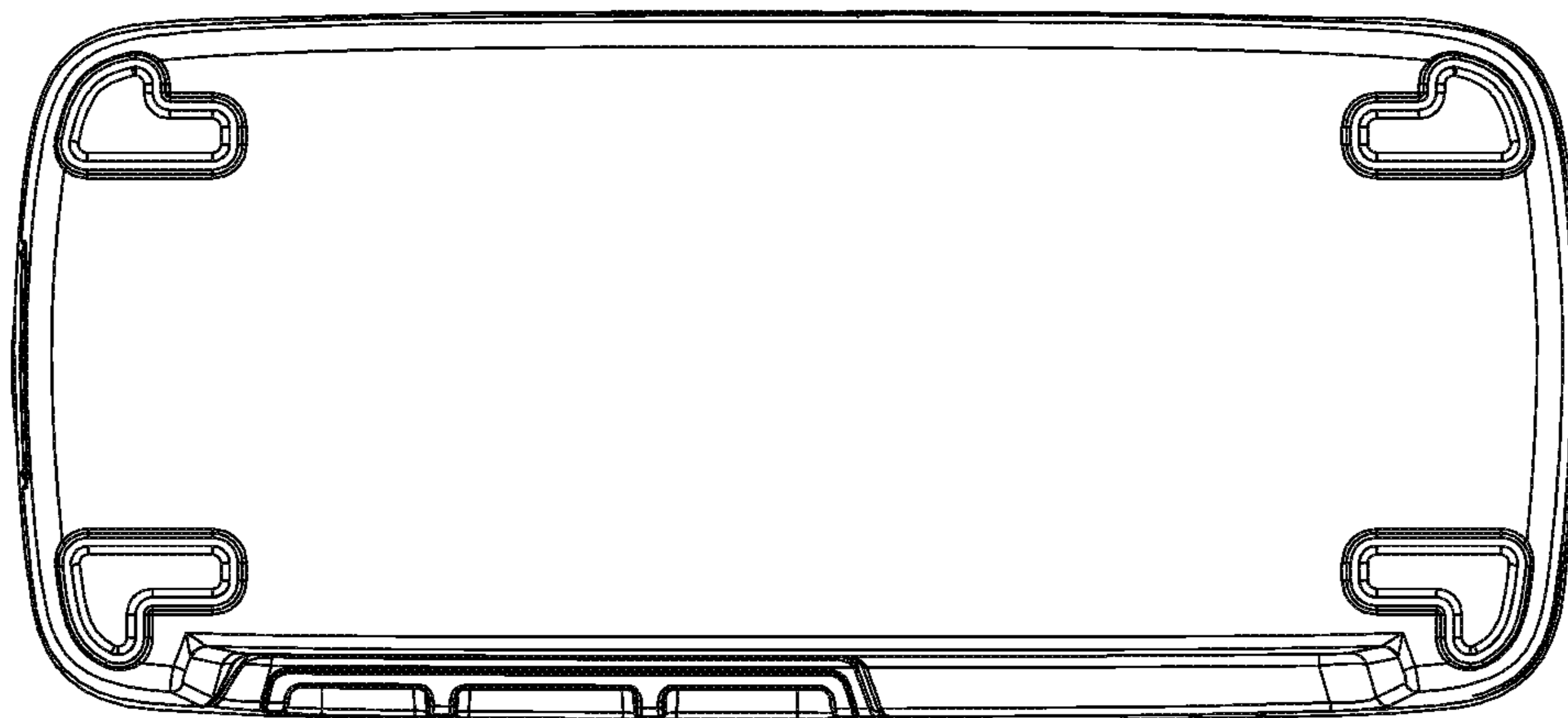


FIG. 8

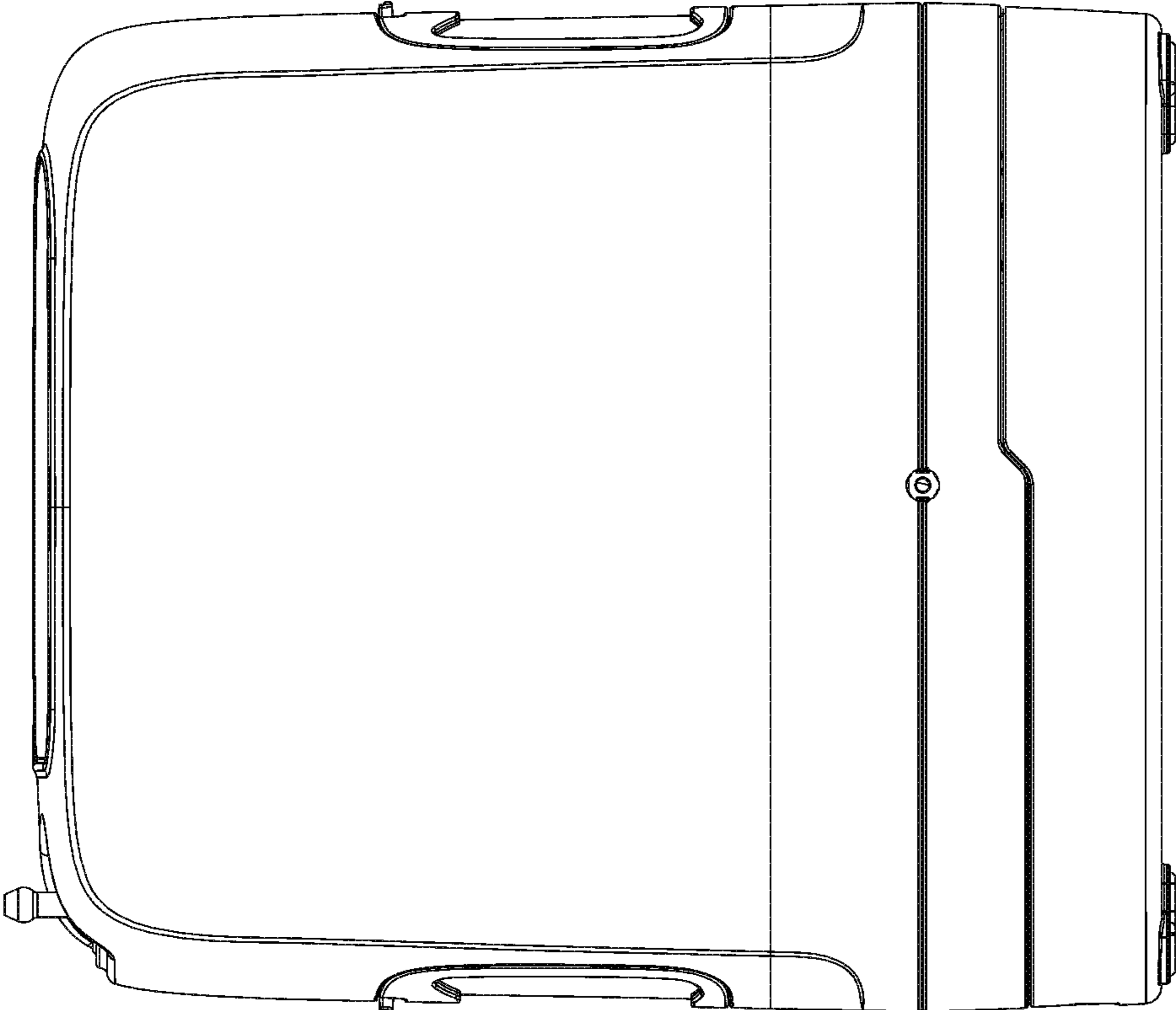


FIG. 10

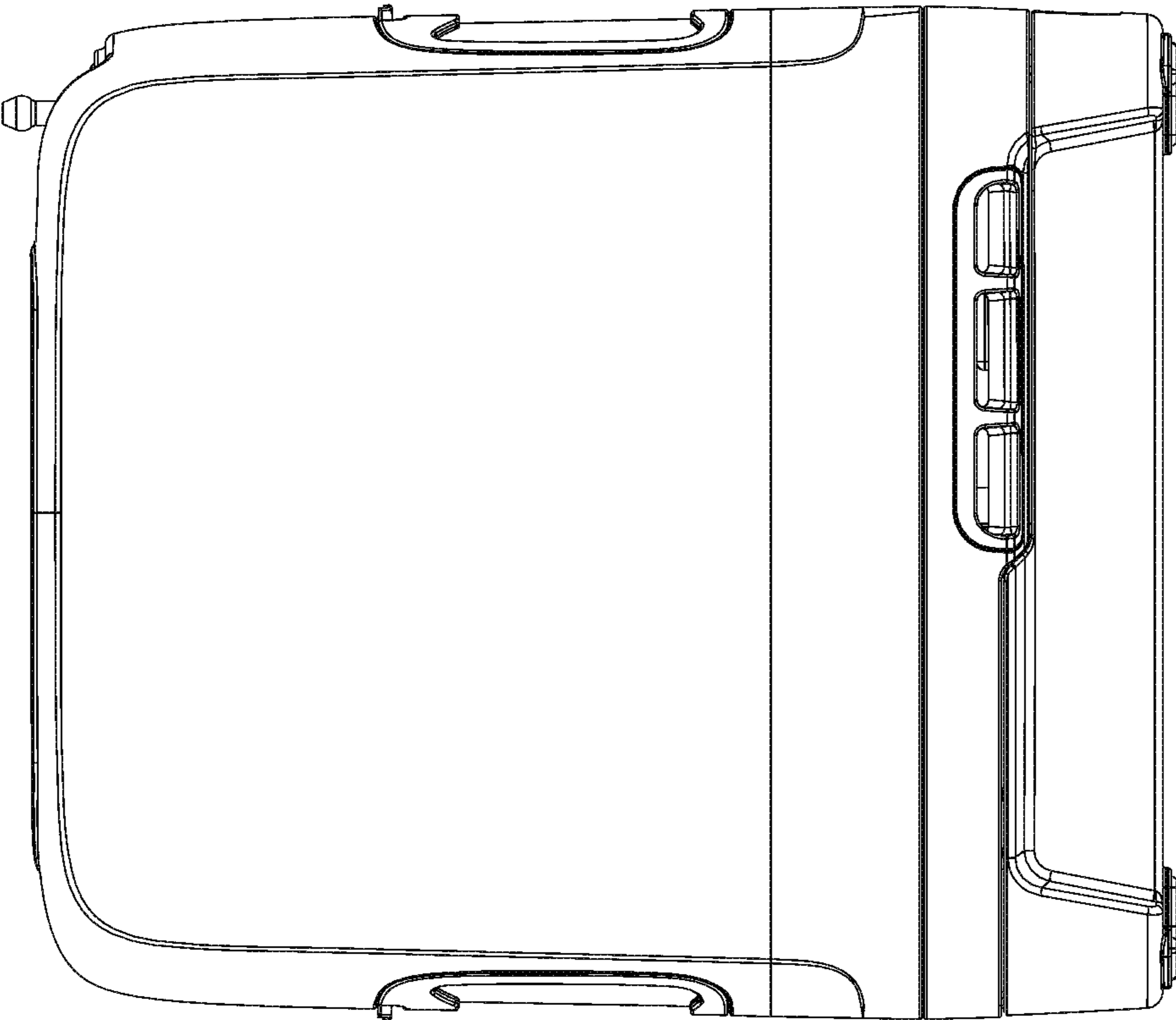


FIG. 9