



US00D930831S

(12) **United States Design Patent**
Benton et al.

(10) **Patent No.:** **US D930,831 S**

(45) **Date of Patent:** **** Sep. 14, 2021**

(54) **MICROBIAL BARRIER TUBING CLAMP**

(71) Applicants: **Jim Benton**, Springdale, AR (US);
George Raymond Williams,
Opelousas, LA (US); **Bill Conner**,
Fayetteville, AR (US)

(72) Inventors: **Jim Benton**, Springdale, AR (US);
George Raymond Williams,
Opelousas, LA (US); **Bill Conner**,
Fayetteville, AR (US)

(**) Term: **15 Years**

(21) Appl. No.: **29/726,781**

(22) Filed: **Mar. 5, 2020**

(51) **LOC (13) Cl.** **24-02**

(52) **U.S. Cl.**
USPC **D24/143**

(58) **Field of Classification Search**
USPC D24/127-128, 143; D8/349, 354, 394,
D8/396; D13/155
CPC A61M 5/1418; A61M 25/02; A61M
2025/024; A61M 2025/026; A61M 39/00;
F16L 3/2235; F16L 3/222-223
See application file for complete search history.

(56) **References Cited**

U.S. PATENT DOCUMENTS

4,397,647 A	8/1983	Gordon	604/180
4,405,312 A	9/1983	Gross et al.	604/29
4,589,171 A	5/1986	McGill	24/543
5,049,139 A	9/1991	Gilchrist	604/265
5,188,612 A	2/1993	Herrington, Jr. et al.	604/192
5,224,674 A	7/1993	Simons	248/68.1
5,316,246 A	5/1994	Scott et al.	248/68.1
5,334,186 A	8/1994	Alexander	604/180
5,336,179 A	8/1994	Ryan	604/80
5,338,308 A	8/1994	Wilk	604/180
5,389,082 A	2/1995	Baugues et al.	604/174

5,536,258 A	7/1996	Folden	604/265
5,620,424 A	4/1997	Abramson	604/265
5,782,808 A	7/1998	Folden	604/265
5,817,325 A	10/1998	Sawan et al.	424/411
5,820,607 A	10/1998	Tcholakian et al.	604/265
5,876,371 A	3/1999	Yokoyama et al.	604/80
5,944,696 A	8/1999	Bayless et al.	604/174
6,261,271 B1	7/2001	Solomon et al.	604/265
6,273,875 B1	8/2001	Siman et al.	604/264
6,458,104 B2	10/2002	Gautsche	604/179
6,751,382 B2 *	6/2004	McGarvey	F16L 3/222 174/168
7,288,264 B1	10/2007	Sawan et al.	424/404
7,457,506 B1	11/2008	Osborne, II	385/136
D583,937 S *	12/2008	White	D24/128
7,635,354 B2 *	12/2009	Navarro	A61M 25/02 604/174

(Continued)

Primary Examiner — Wan Laymon

(74) *Attorney, Agent, or Firm* — Keisling & Pieper PLC;
David B. Pieper; Trent C. Keisling

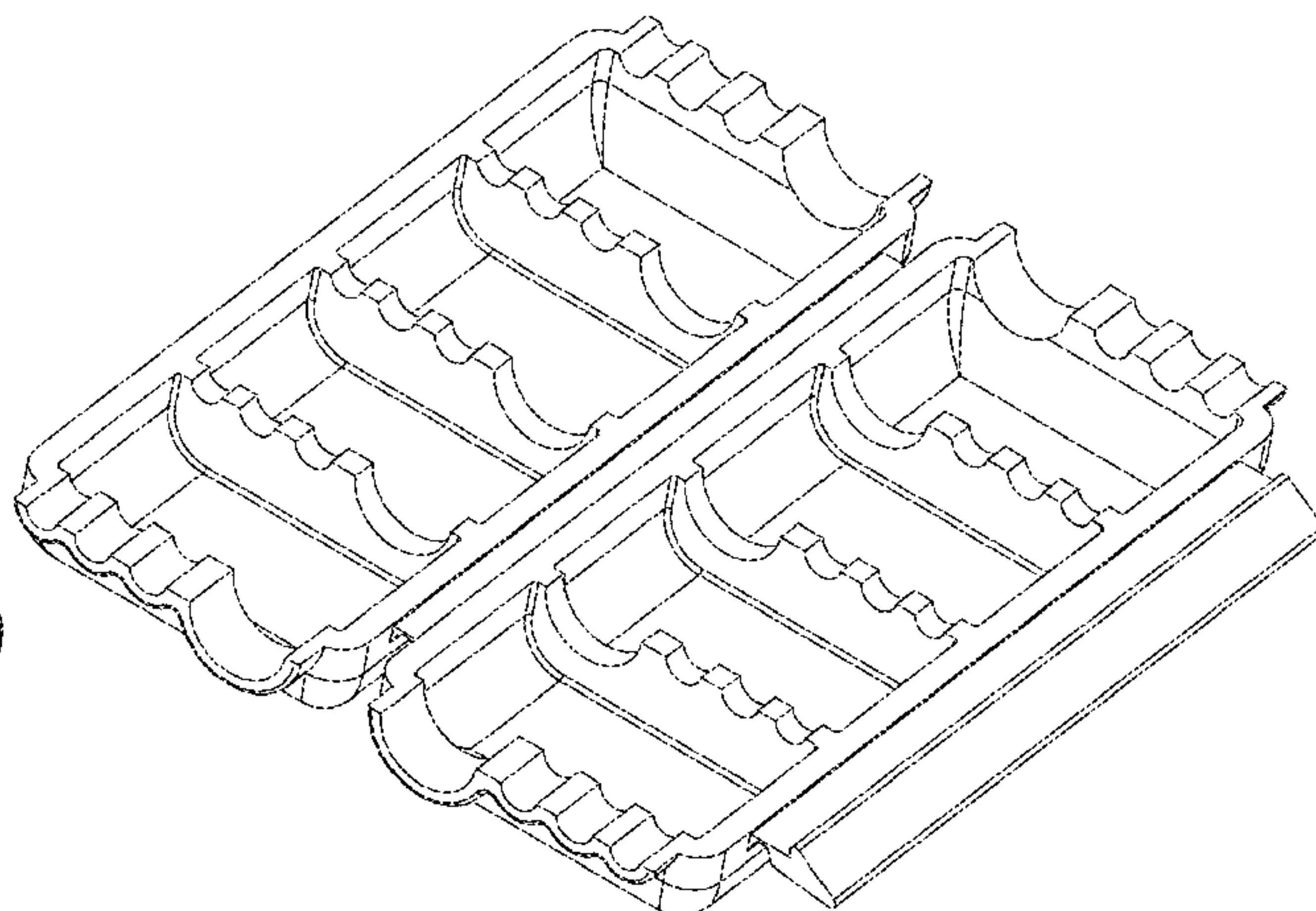
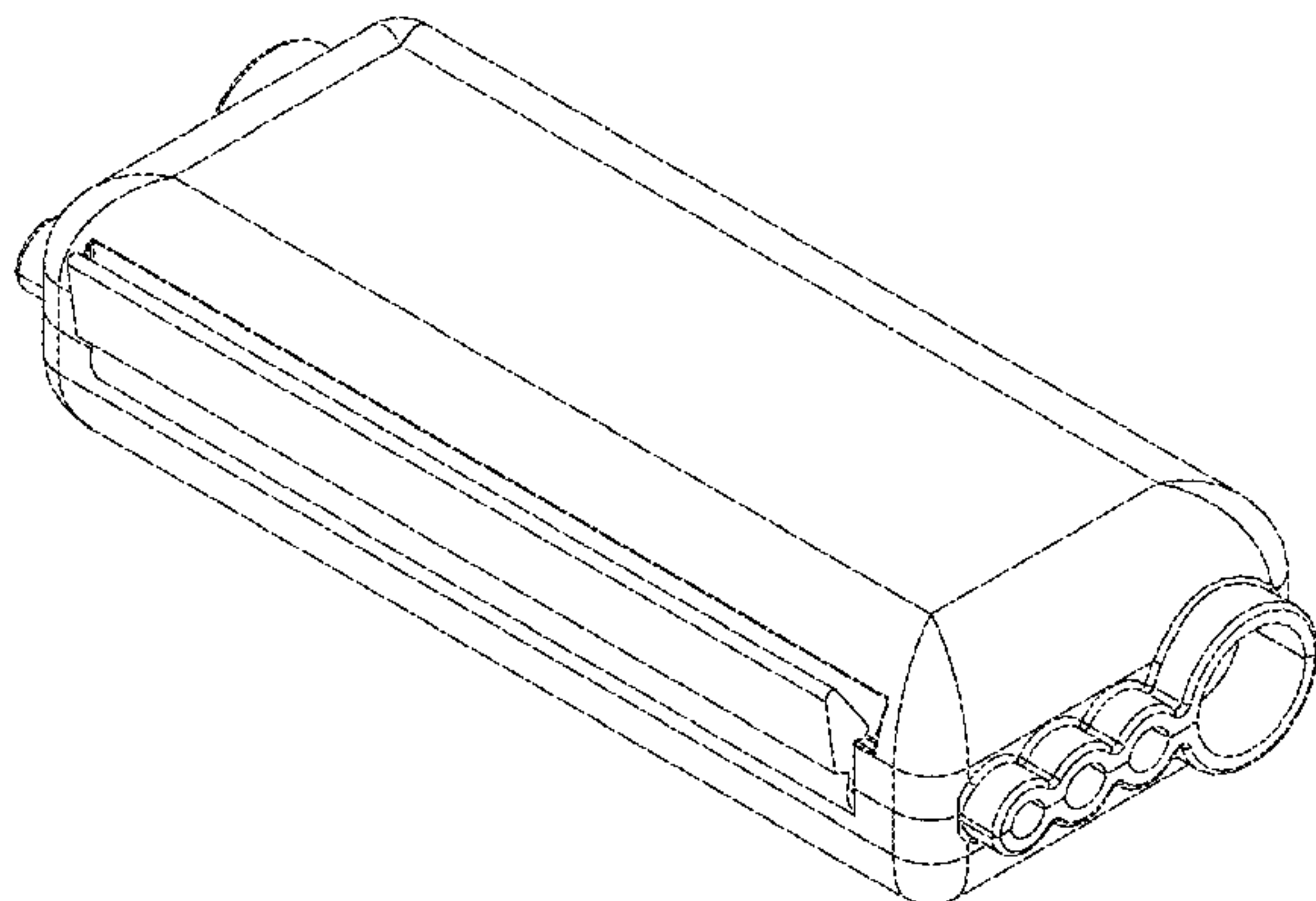
(57) **CLAIM**

The ornamental design for a microbial barrier tubing clamp device, as shown and described.

DESCRIPTION

FIG. 1 is a perspective view of a microbial barrier tubing clamp showing our new design in the closed position; FIG. 2 is a top view thereof; FIG. 3 is another perspective view thereof in the open position; FIG. 4 is another perspective view thereof in the open position; FIG. 5 is a left side view thereof; FIG. 6 is a right side view thereof; FIG. 7 is a top view thereof; FIG. 8 is a bottom view thereof; FIG. 9 is a front view thereof; and, FIG. 10 is s back view thereof.

1 Claim, 7 Drawing Sheets



(56)

References Cited

U.S. PATENT DOCUMENTS

7,662,159	B2	2/2010	Brandigi	606/108
D638,121	S *	5/2011	Villasana	D24/128
7,947,021	B2	5/2011	Bourne et al.	604/265
8,016,792	B2 *	9/2011	Wright	A61M 25/02 604/174
D706,225	S *	6/2014	deLoache, III	D13/155
9,138,560	B2 *	9/2015	Wright	A61M 25/02
D793,553	S *	8/2017	Stillson	D24/130
2007/0083163	A1	4/2007	Rydell	604/174
2008/0172011	A1	7/2008	Heroux et al.	604/265
2011/0067703	A1	3/2011	Mertens et al.	128/207.14
2011/0152787	A1	6/2011	Truitt et al.	604/246
2011/0248125	A1	10/2011	D'Andria	248/68.1
2013/0138044	A1	5/2013	Schuman et al.	604/174
2014/0061421	A1	3/2014	Lane	248/542

* cited by examiner

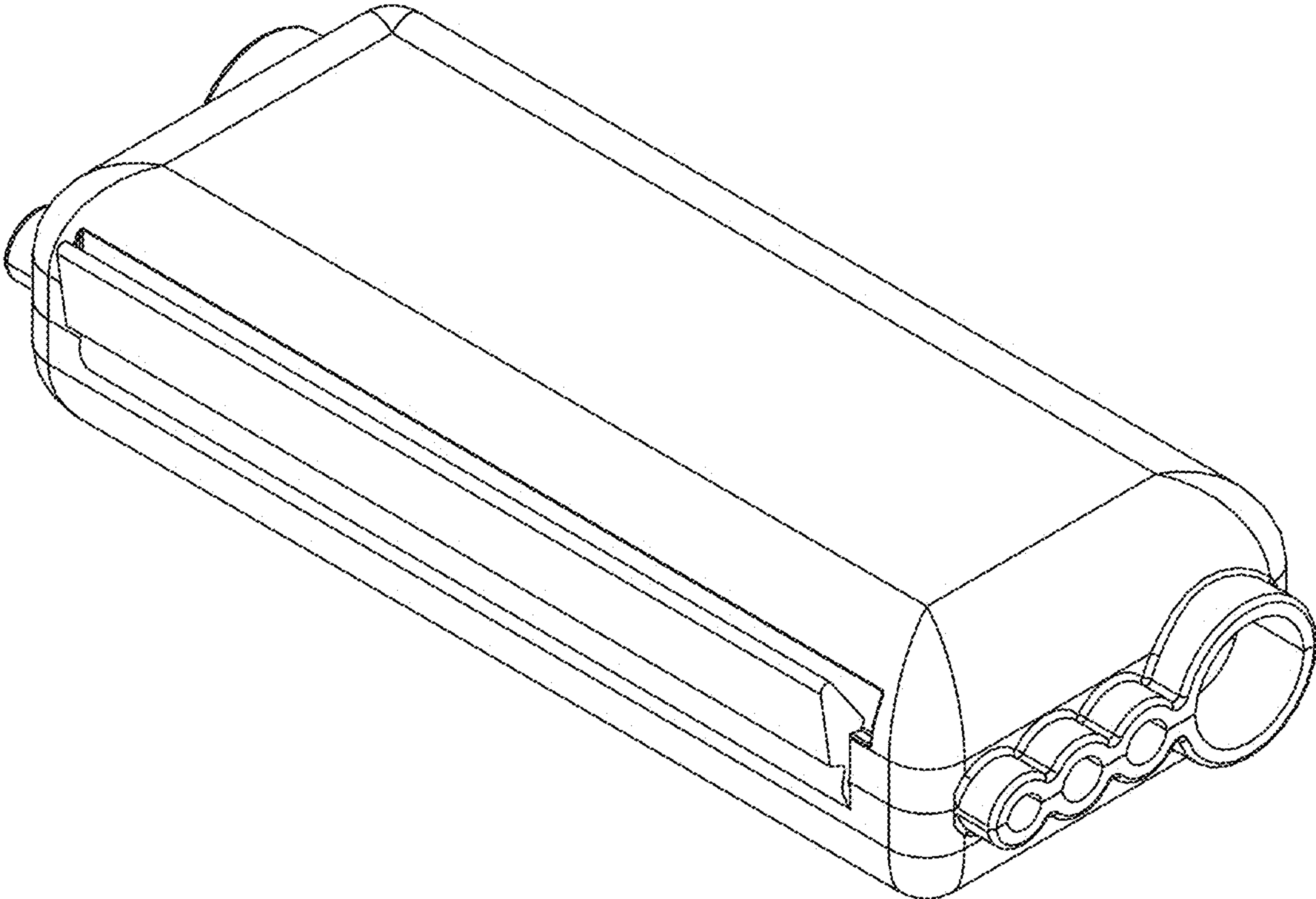


FIG. 1

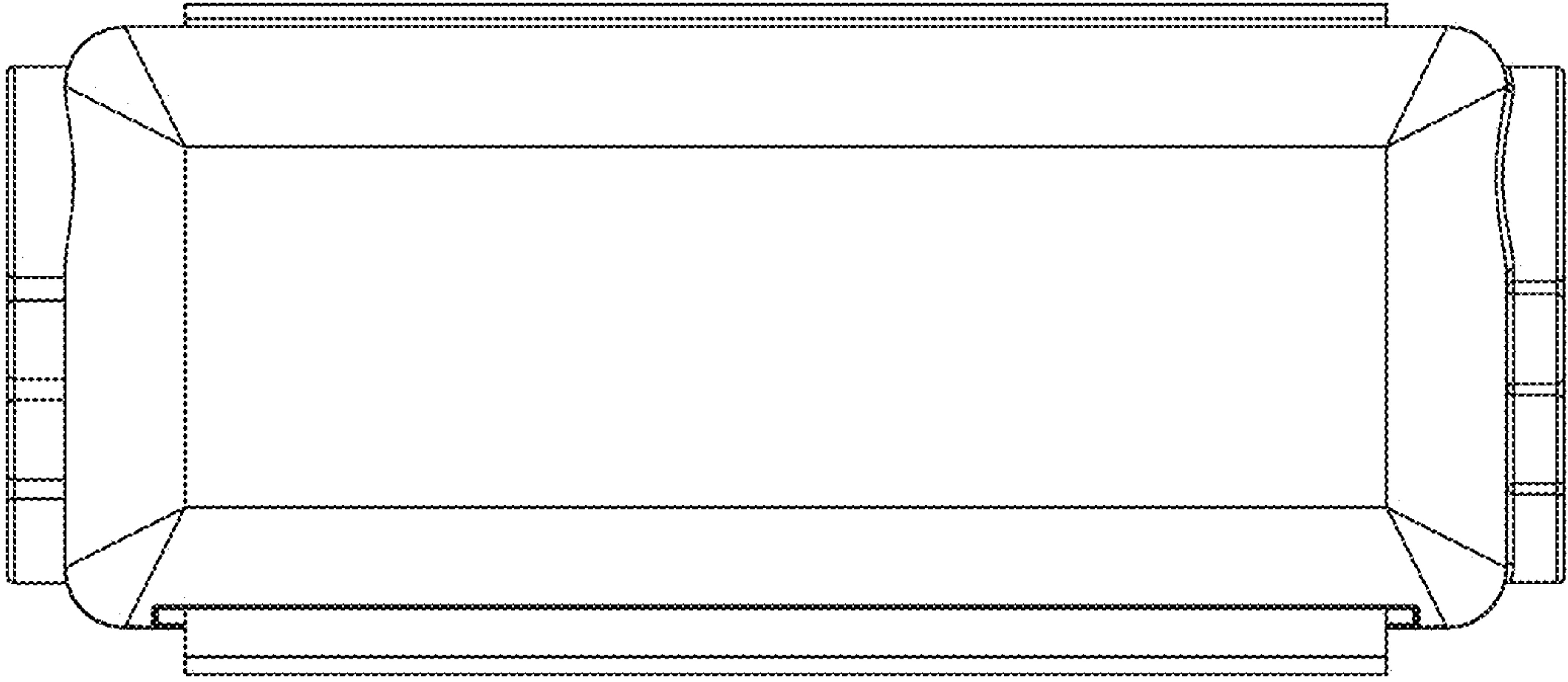


FIG. 2

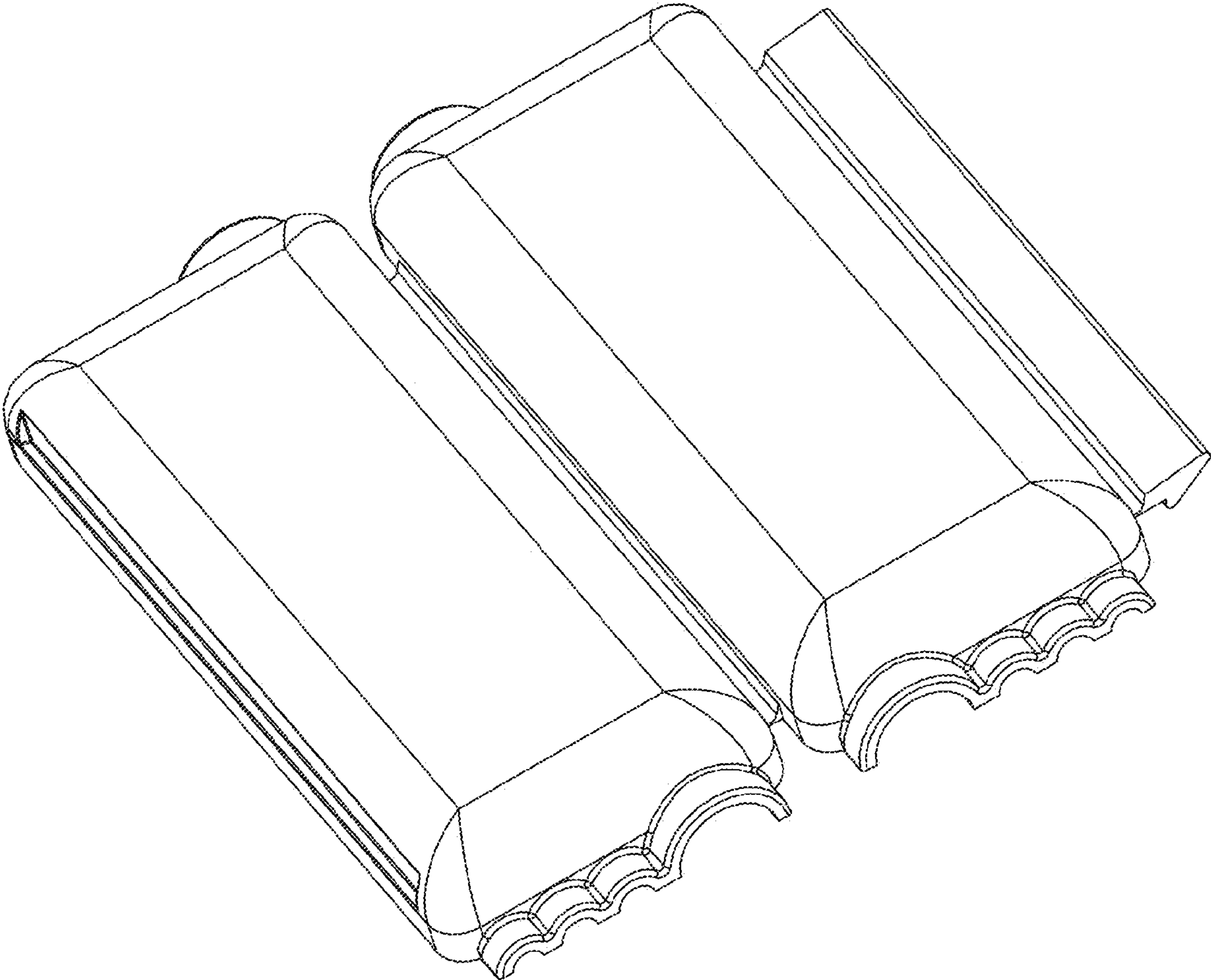


FIG. 3

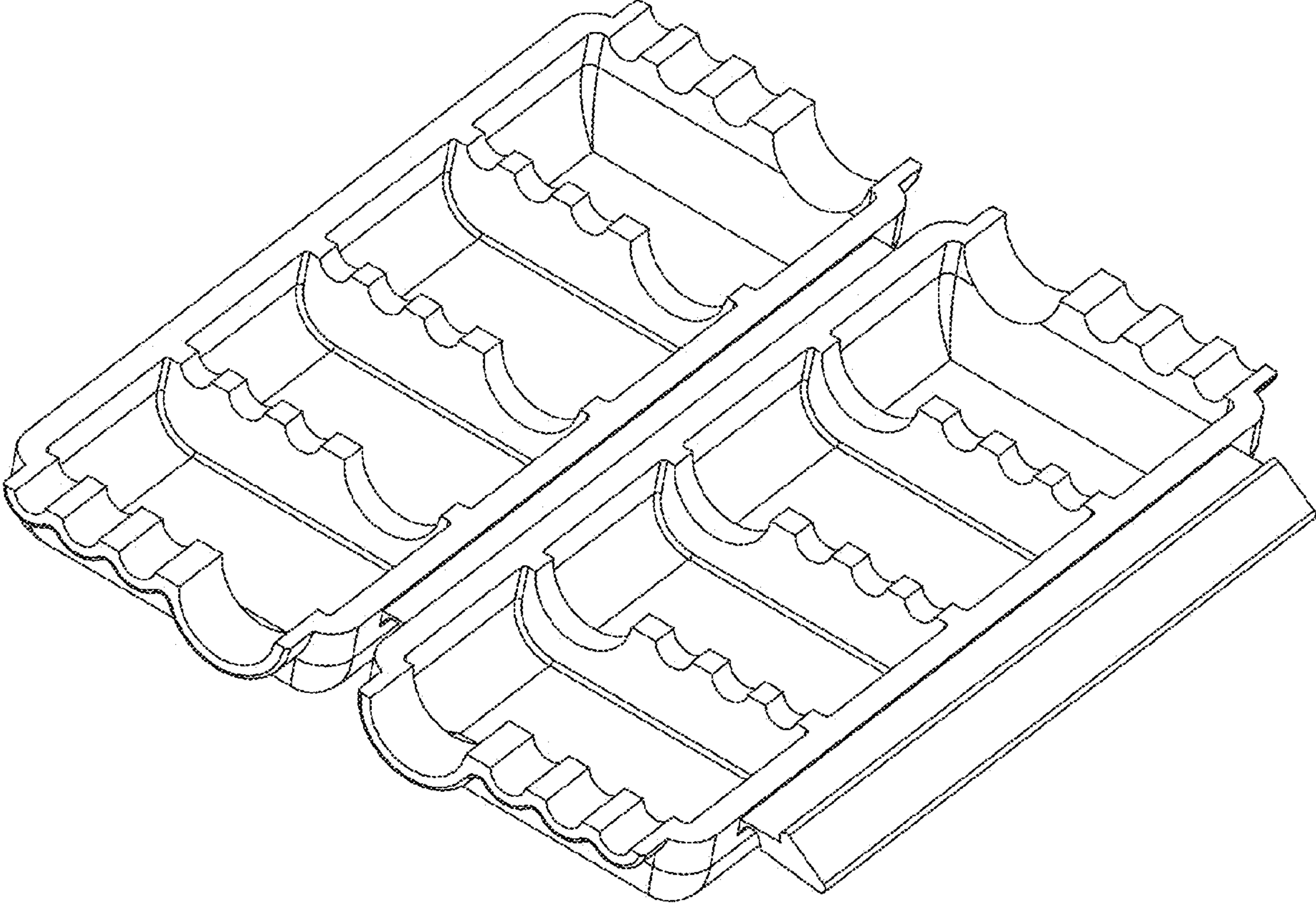


FIG. 4

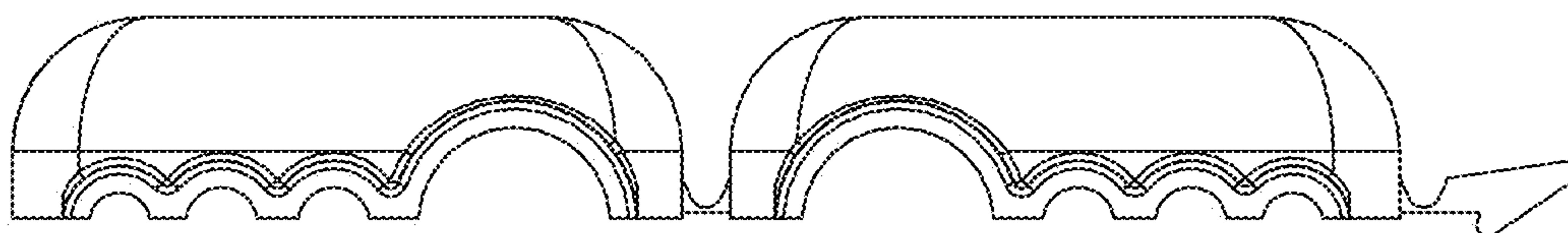


FIG. 5

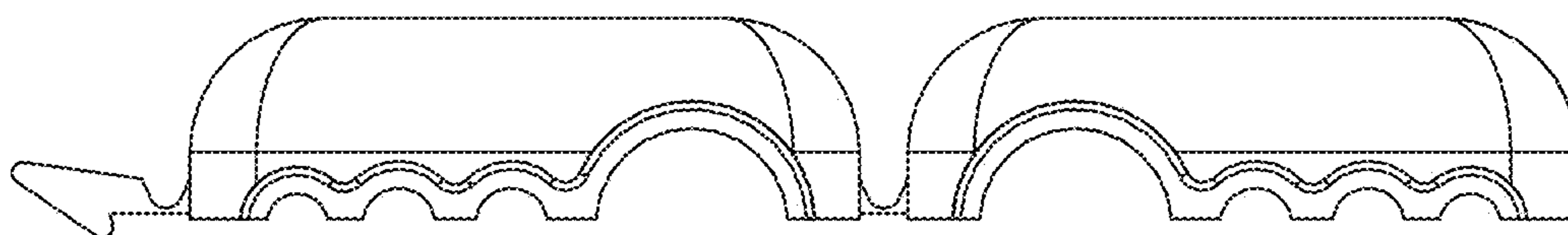


FIG. 6

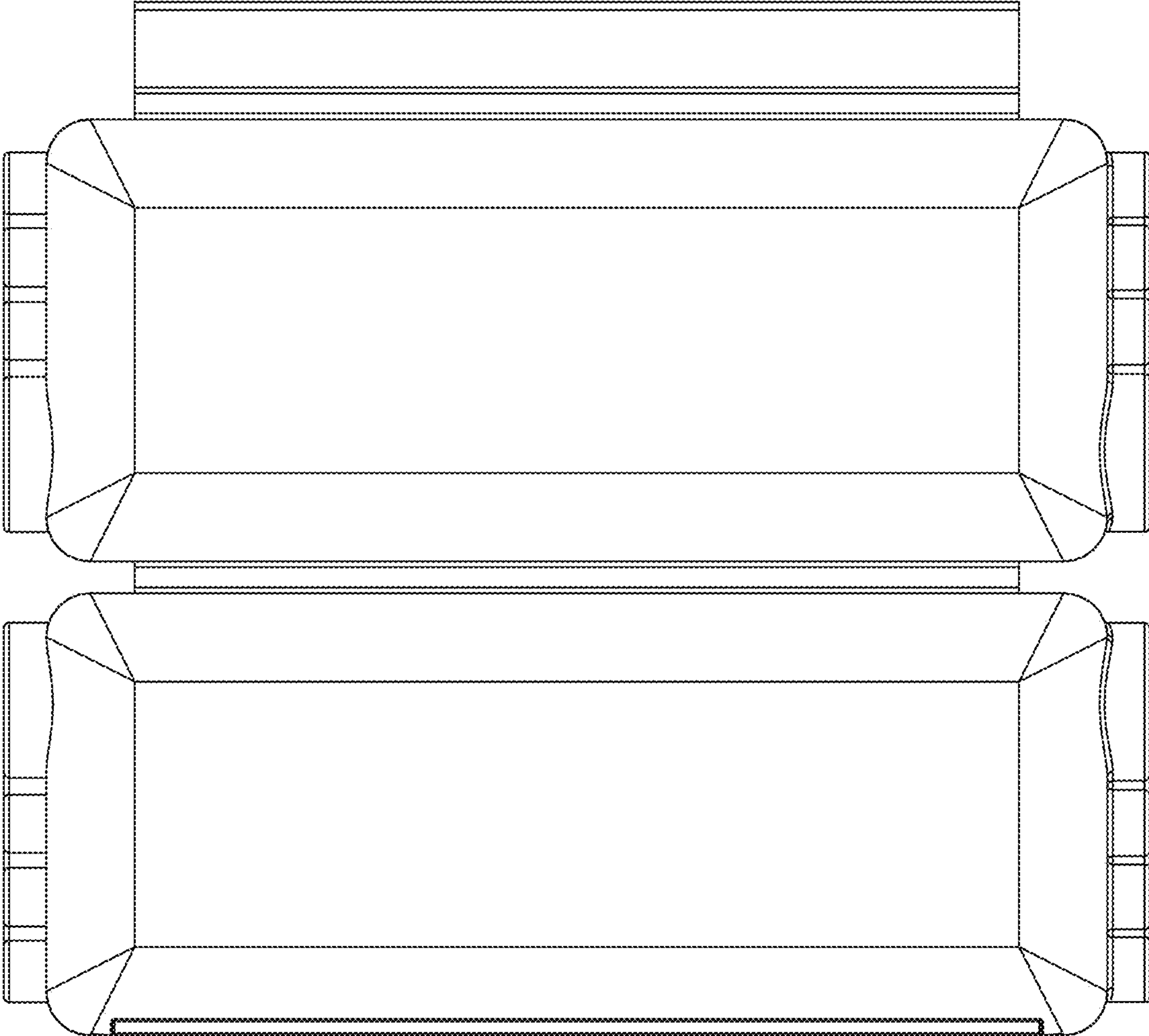


FIG. 7

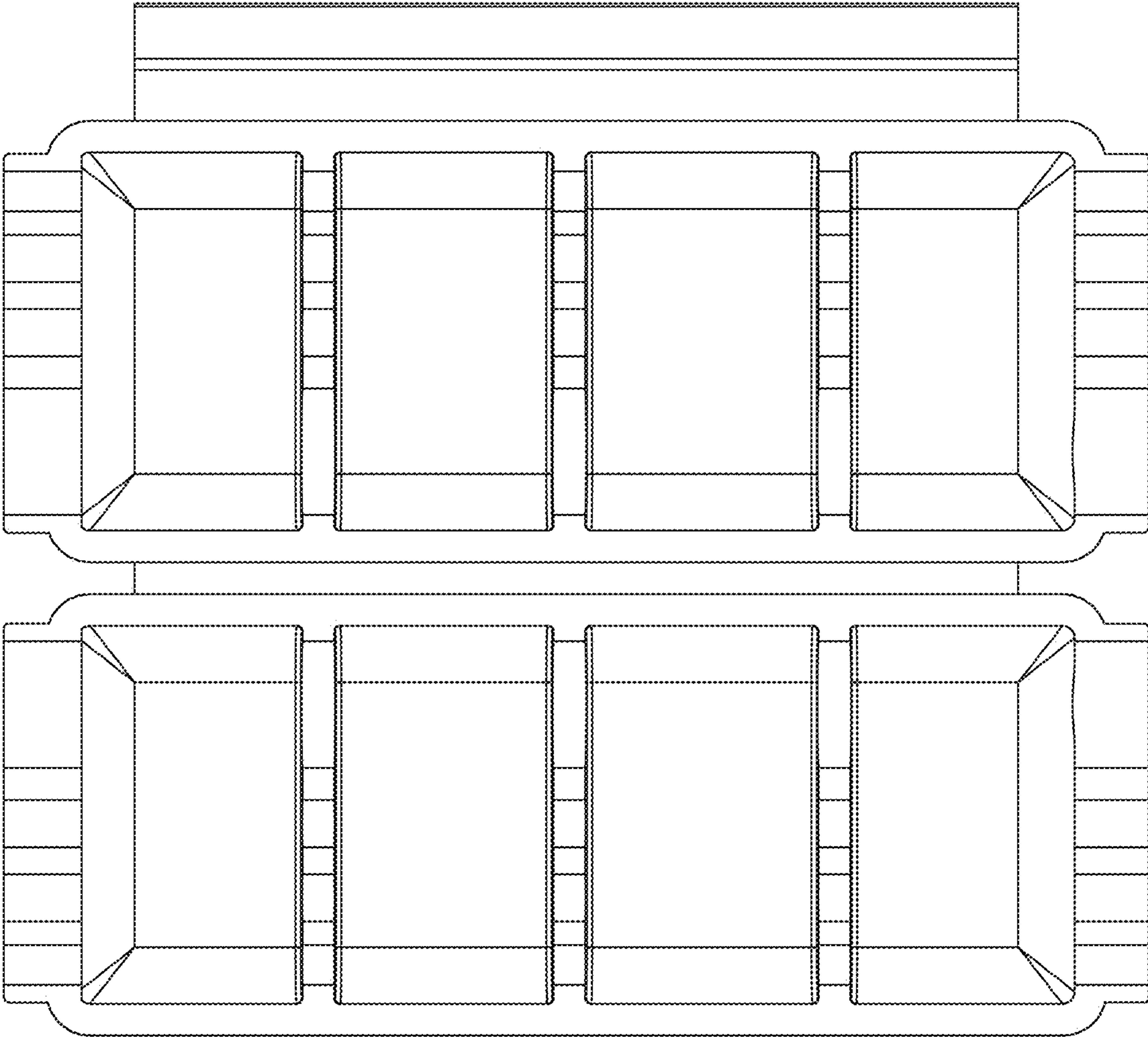


FIG. 8

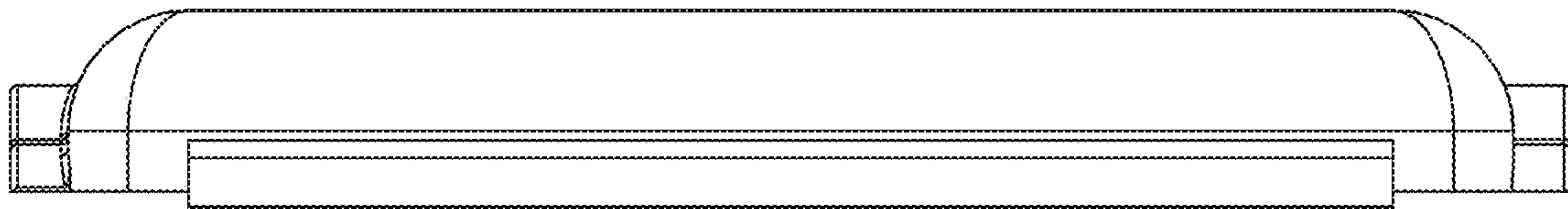


FIG. 9

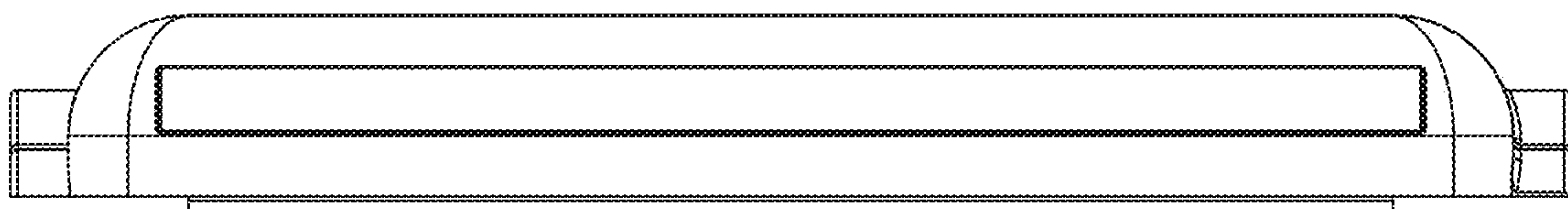


FIG. 10