



US00D930829S

(12) **United States Design Patent**  
**Stoebe-Latham**

(10) **Patent No.:** **US D930,829 S**  
(45) **Date of Patent:** **\*\* Sep. 14, 2021**

(54) **MENSTRUAL CUP**

(71) Applicant: **The Procter & Gamble Company,**  
Cincinnati, OH (US)

(72) Inventor: **Rebecca Stoebe-Latham,** Cincinnati,  
OH (US)

(73) Assignee: **The Procter & Gamble Company,**  
Cincinnati, OH (US)

(\*\*) Term: **15 Years**

(21) Appl. No.: **29/686,008**

(22) Filed: **Apr. 2, 2019**

(30) **Foreign Application Priority Data**

Oct. 4, 2018 (WO) ..... 9165401

(51) **LOC (13) Cl.** ..... **24-02**

(52) **U.S. Cl.**  
USPC ..... **D24/141**

(58) **Field of Classification Search**  
USPC ..... D24/107, 121, 124, 125, 141, 200, 215;  
D7/700; 604/328, 329, 330  
CPC .... A61F 5/455; A61F 5/4553; A61F 13/2045;  
A61F 6/06; A61F 6/08; A61F 6/12; A61F  
2/04; A61F 2/005; A61F 2/0009; A61F  
2/0027; A61F 2/0036; A61F 2/0045;  
A61B 1/303; A61H 21/00; A61H 19/00;  
A61H 19/40; A61H 19/44; A61J 1/00;  
A61J 1/05

See application file for complete search history.

(56) **References Cited**

**U.S. PATENT DOCUMENTS**

D323,212 S \* 1/1992 Crawford ..... D24/121  
D375,878 S \* 11/1996 Morris ..... D7/700  
D414,876 S \* 10/1999 Morimoto ..... D24/220

D418,918 S \* 1/2000 Cunningham ..... D24/112  
D560,106 S \* 1/2008 Curtin ..... D7/700  
D709,623 S \* 7/2014 Lohn ..... D24/222  
8,795,248 B2 \* 8/2014 Shihata ..... A61F 5/4553  
604/385.17  
D746,452 S \* 12/2015 Petrova ..... D24/141  
D760,897 S \* 7/2016 Teo ..... D24/141  
D766,427 S \* 9/2016 Kurov ..... D24/121  
D777,322 S \* 1/2017 Masur ..... D24/117  
9,987,161 B2 \* 6/2018 Chiu ..... A61F 5/4404  
D826,065 S \* 8/2018 Kellman ..... D9/690  
D829,892 S \* 10/2018 Brana ..... D24/120  
D832,438 S \* 10/2018 Brockway ..... D24/141  
D836,196 S \* 12/2018 Ahn ..... D24/141  
D841,808 S \* 2/2019 Drach ..... D24/141  
D884,475 S \* 5/2020 Rapparini ..... D9/500  
D888,979 S \* 6/2020 Chernyavskiy ... A61F 13/55175  
D24/214

(Continued)

**FOREIGN PATENT DOCUMENTS**

CN 302826860 \* 5/2014  
CN 304474245 \* 1/2018

(Continued)

*Primary Examiner* — T Chase Nelson

*Assistant Examiner* — Kelly L Gross

(74) *Attorney, Agent, or Firm* — William E. Gallagher

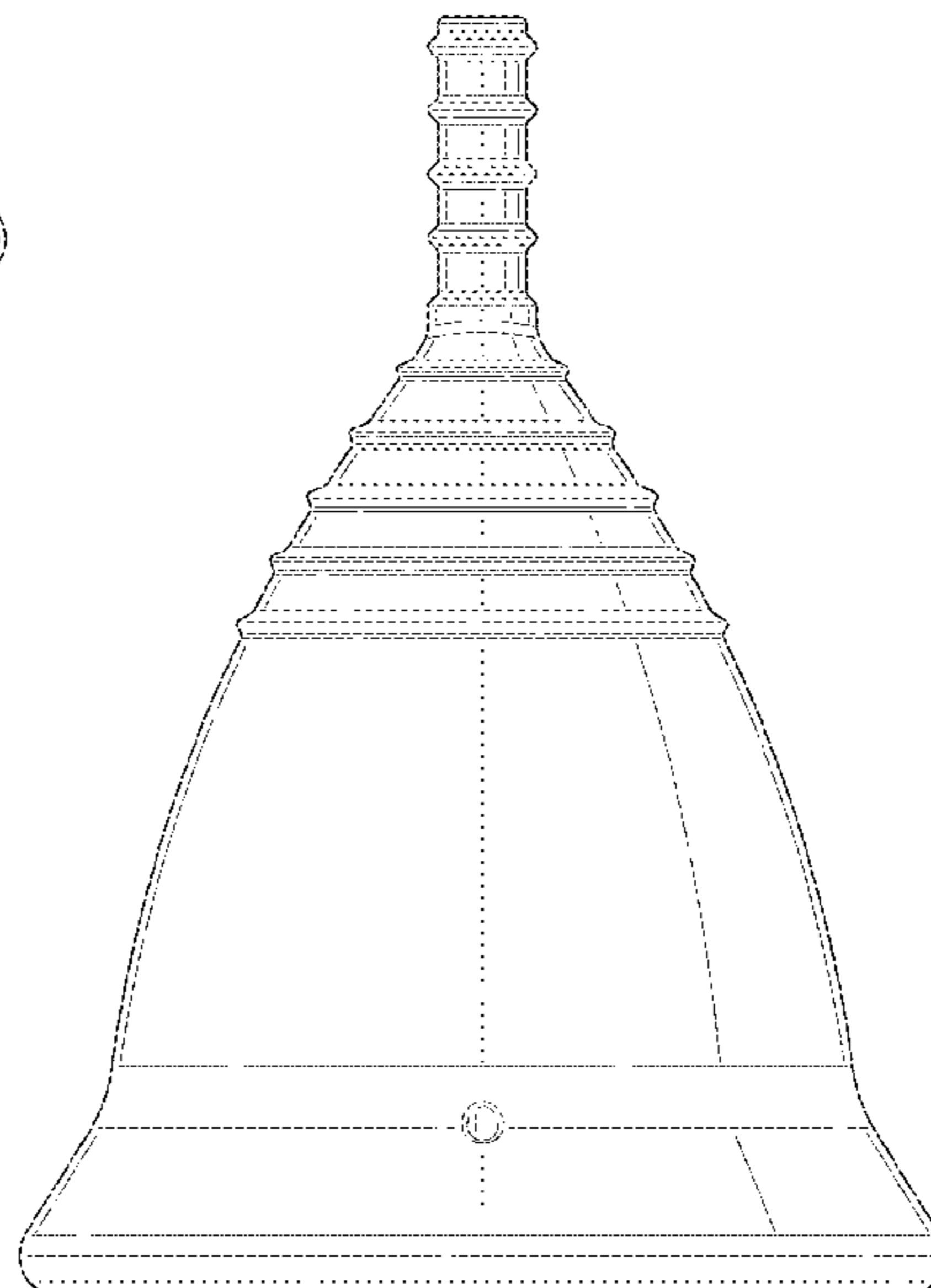
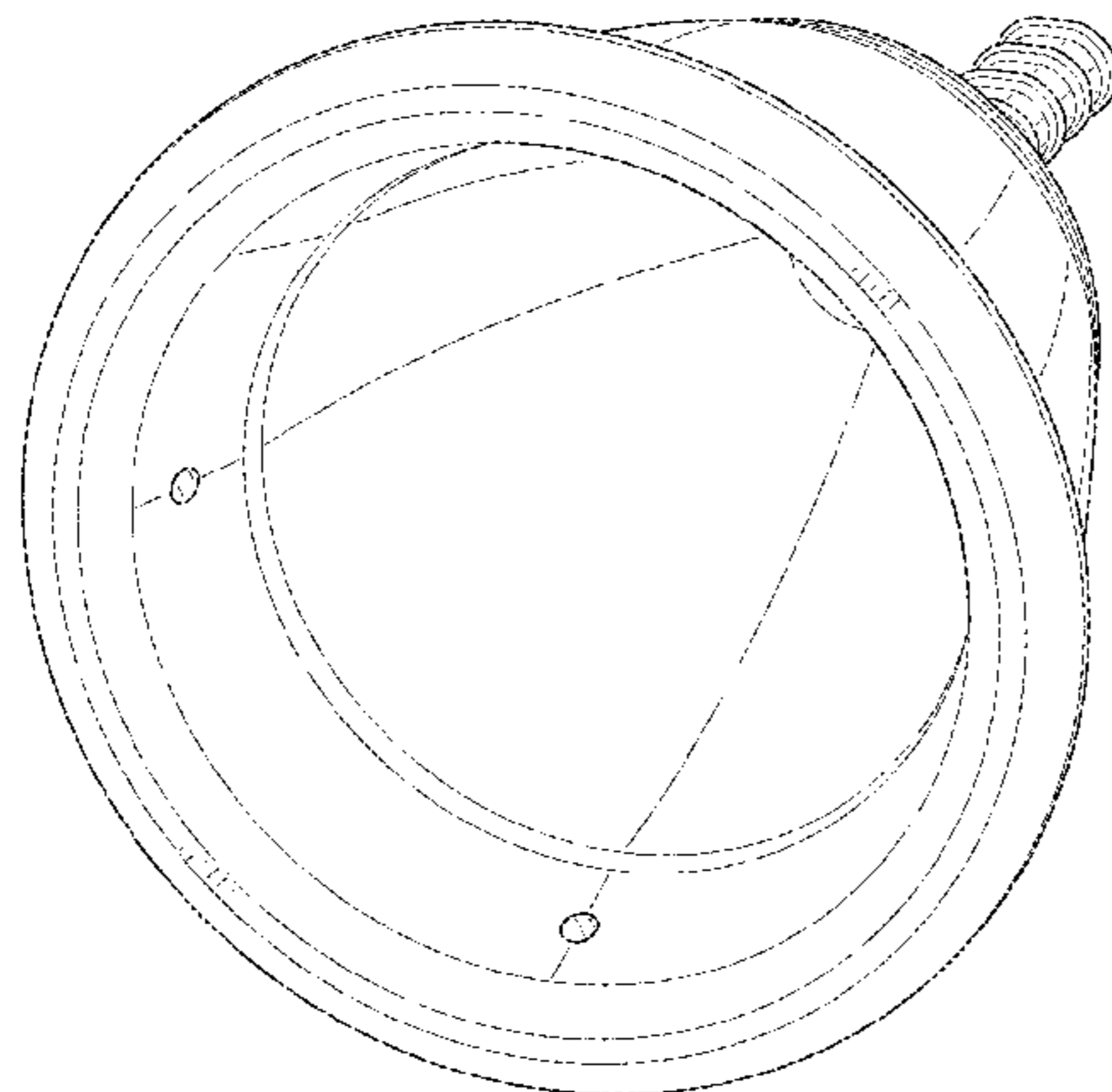
(57) **CLAIM**

The ornamental design for a menstrual cup, as shown and described.

**DESCRIPTION**

FIG. 1 is a perspective view of a menstrual cup;  
FIG. 2 is a front view thereof;  
FIG. 3 is a rear view thereof;  
FIG. 4 is a left side view thereof;  
FIG. 5 is a right side view thereof;  
FIG. 6 is a top plan view thereof; and,  
FIG. 7 is a bottom view thereof.

**1 Claim, 7 Drawing Sheets**



(56)

References Cited

U.S. PATENT DOCUMENTS

D892,324 S \* 8/2020 Yi ..... A61F 5/4553  
 D24/141  
 D893,037 S \* 8/2020 Chernyavskiy ..... A61F 5/4553  
 D24/200  
 D894,386 S \* 8/2020 LeClerc ..... A61F 5/4553  
 D24/141  
 D895,798 S \* 9/2020 Newman ..... A61F 5/4404  
 D24/141  
 D895,799 S \* 9/2020 Newman ..... A61F 5/4553  
 D24/141  
 D895,800 S \* 9/2020 Knox ..... D24/141  
 10,806,624 B2 \* 10/2020 Brockway ..... A61F 5/4553  
 10,874,432 B2 \* 12/2020 La Veau ..... A61B 17/43  
 D907,787 S \* 1/2021 Chernyavskiy ..... A61B 17/43  
 D24/200  
 10,898,368 B2 \* 1/2021 Medas ..... A61F 5/4553  
 10,959,873 B2 \* 3/2021 Wilson ..... A61F 5/4553

2003/0060785 A1\* 3/2003 Lavean ..... A61F 6/08  
 604/330  
 2008/0077097 A1\* 3/2008 Chambers ..... A61F 5/4553  
 604/330  
 2010/0312204 A1\* 12/2010 Sheu ..... A61F 6/08  
 604/330  
 2018/0199874 A1\* 7/2018 Hwang ..... A61B 10/0045  
 2019/0336318 A1\* 11/2019 Kubo ..... A61F 5/4553  
 2020/0046572 A1\* 2/2020 Hwang ..... A61F 5/4404  
 2020/0060864 A1\* 2/2020 Font Caselles ..... A61F 5/4553  
 2020/0060865 A1\* 2/2020 Hwang ..... A61F 5/4553  
 2020/0078208 A1\* 3/2020 Stoebe-Latham ..... A61F 5/4553  
 2020/0078209 A1\* 3/2020 Stoebe-Latham .....  
 A61F 13/55175  
 2020/0214876 A1\* 7/2020 Tsai ..... A61F 5/4553

FOREIGN PATENT DOCUMENTS

CN 304859075 \* 10/2018  
 KR 300998350.0000 \* 3/2019

\* cited by examiner

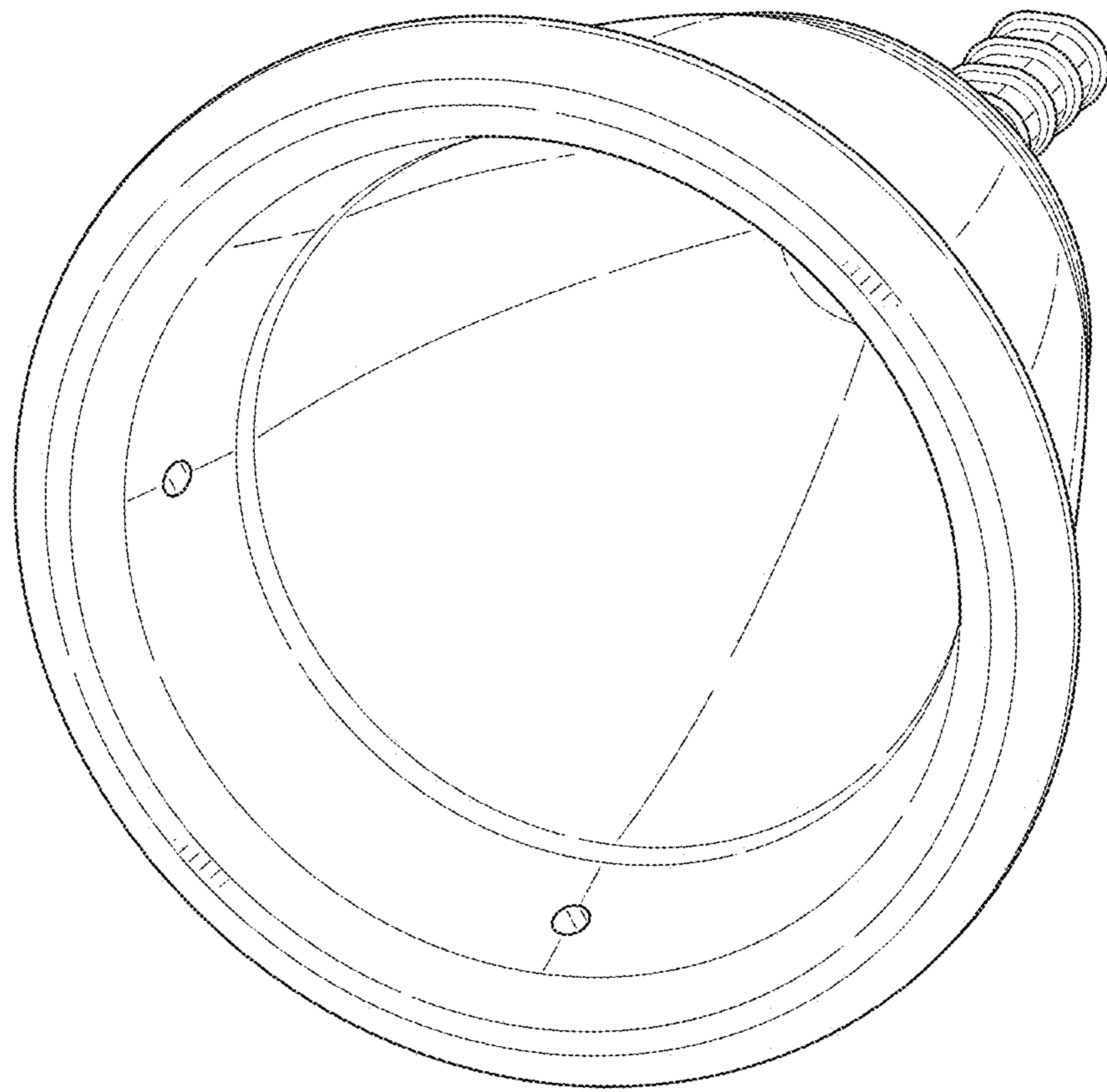


Fig. 1

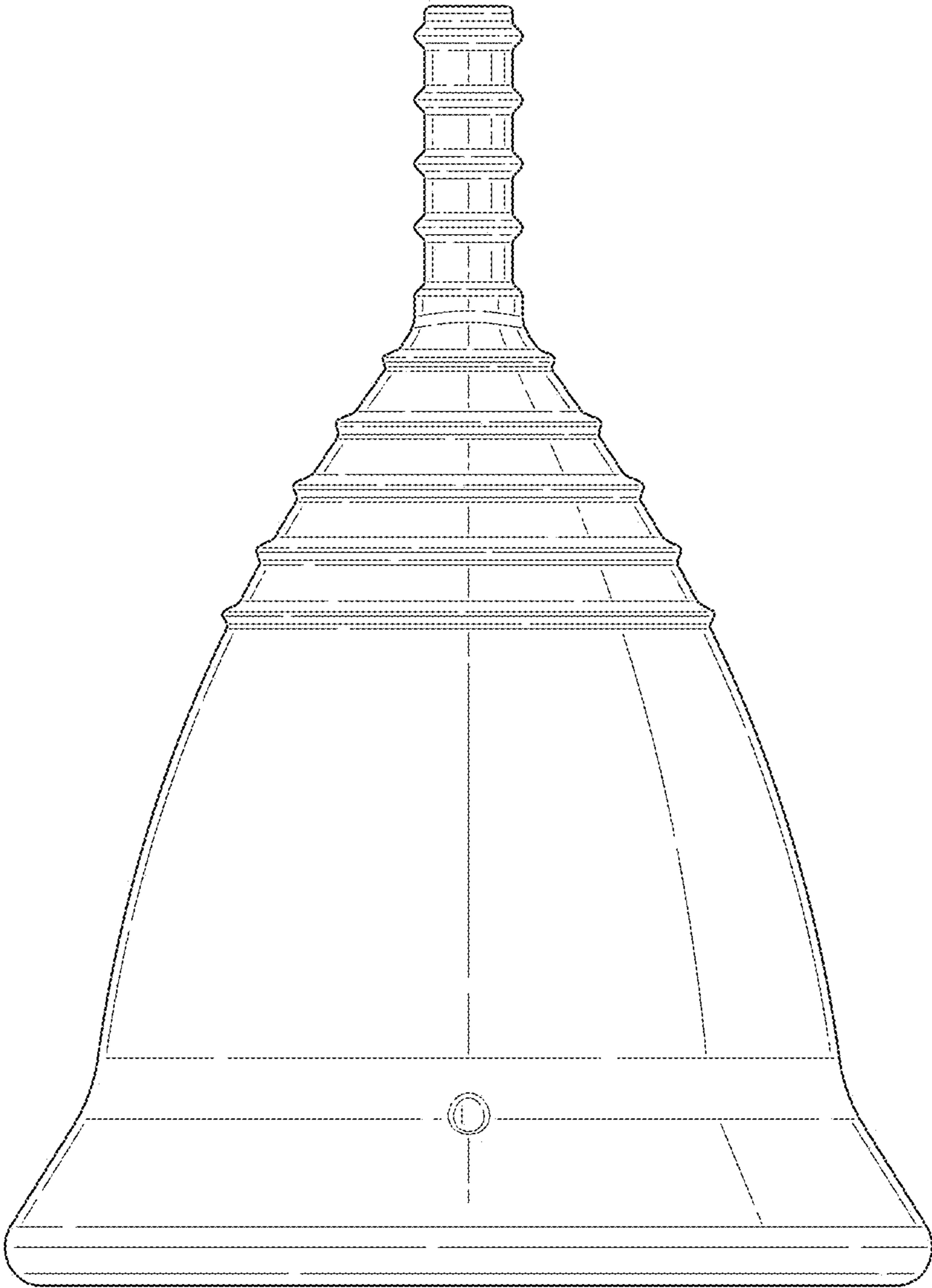


Fig. 2

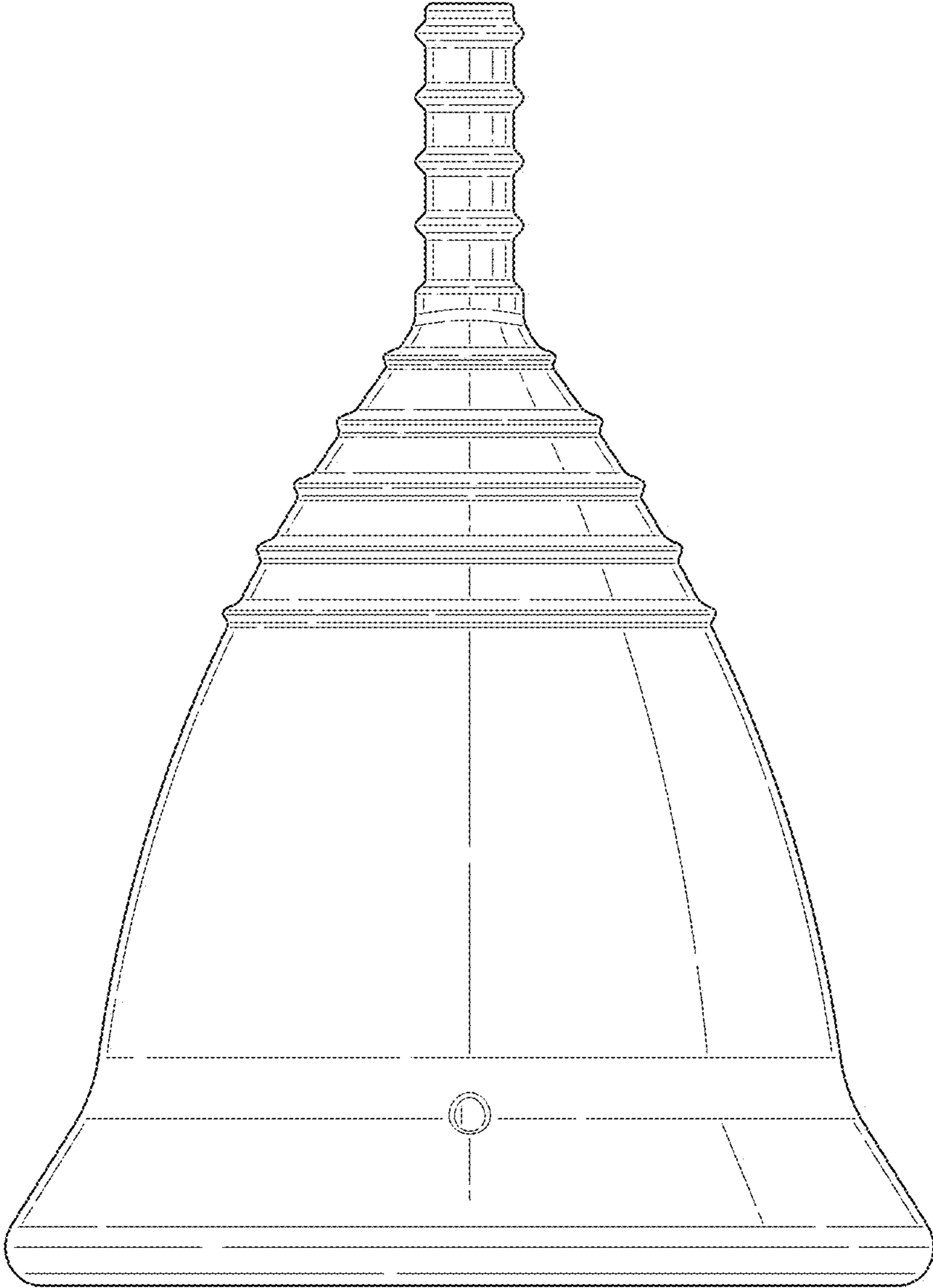


Fig. 3

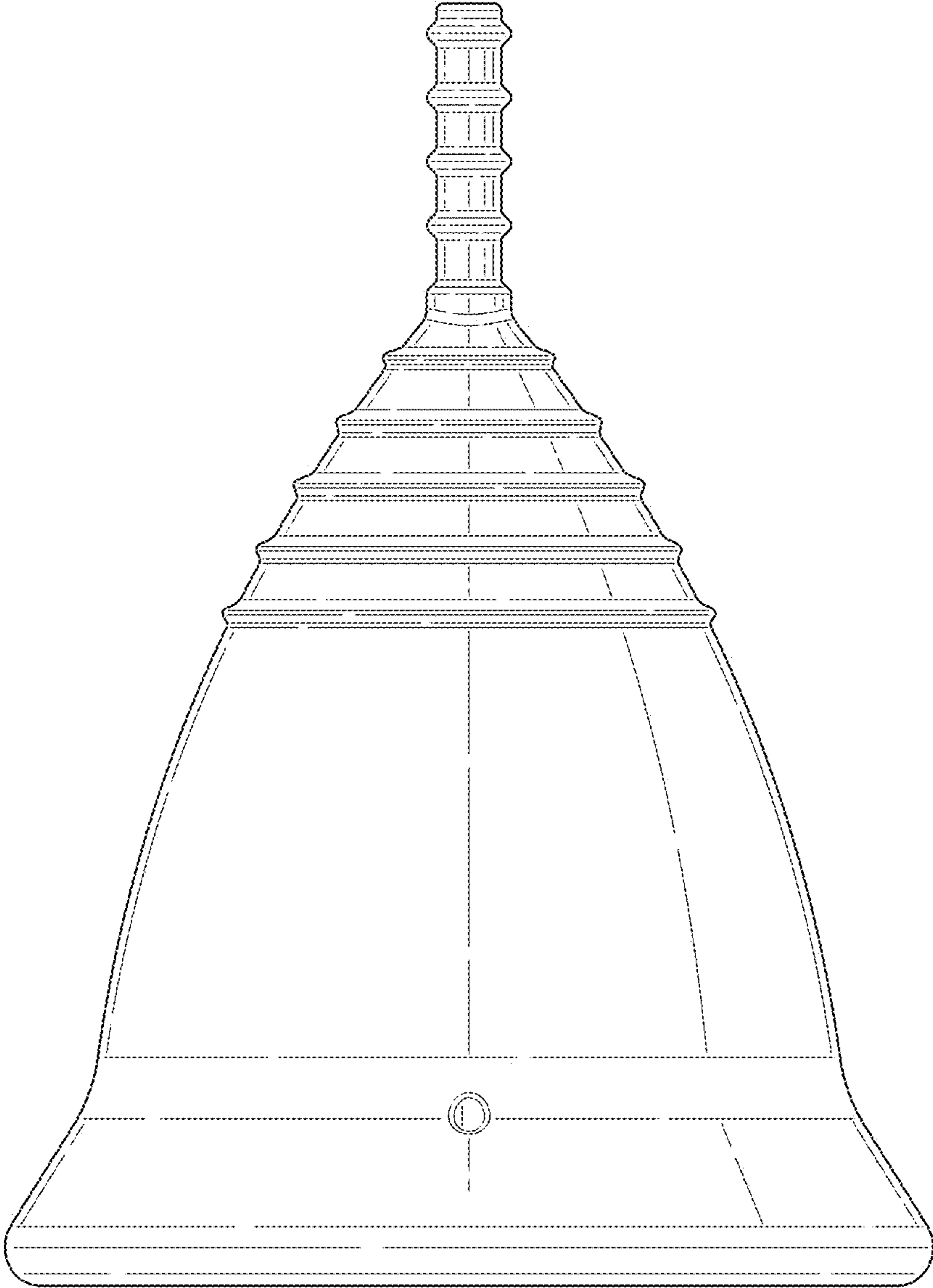


Fig. 4

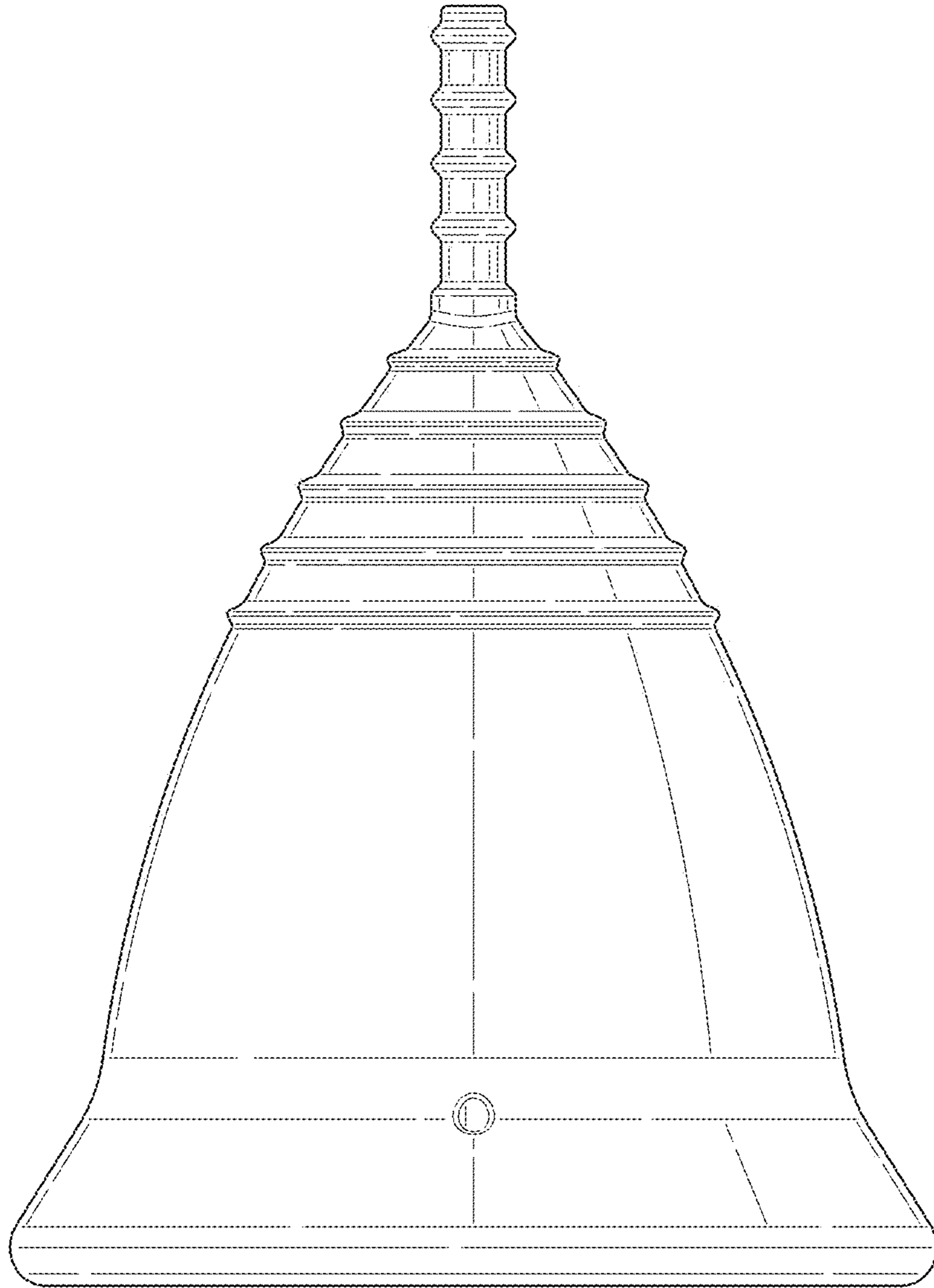


Fig. 5

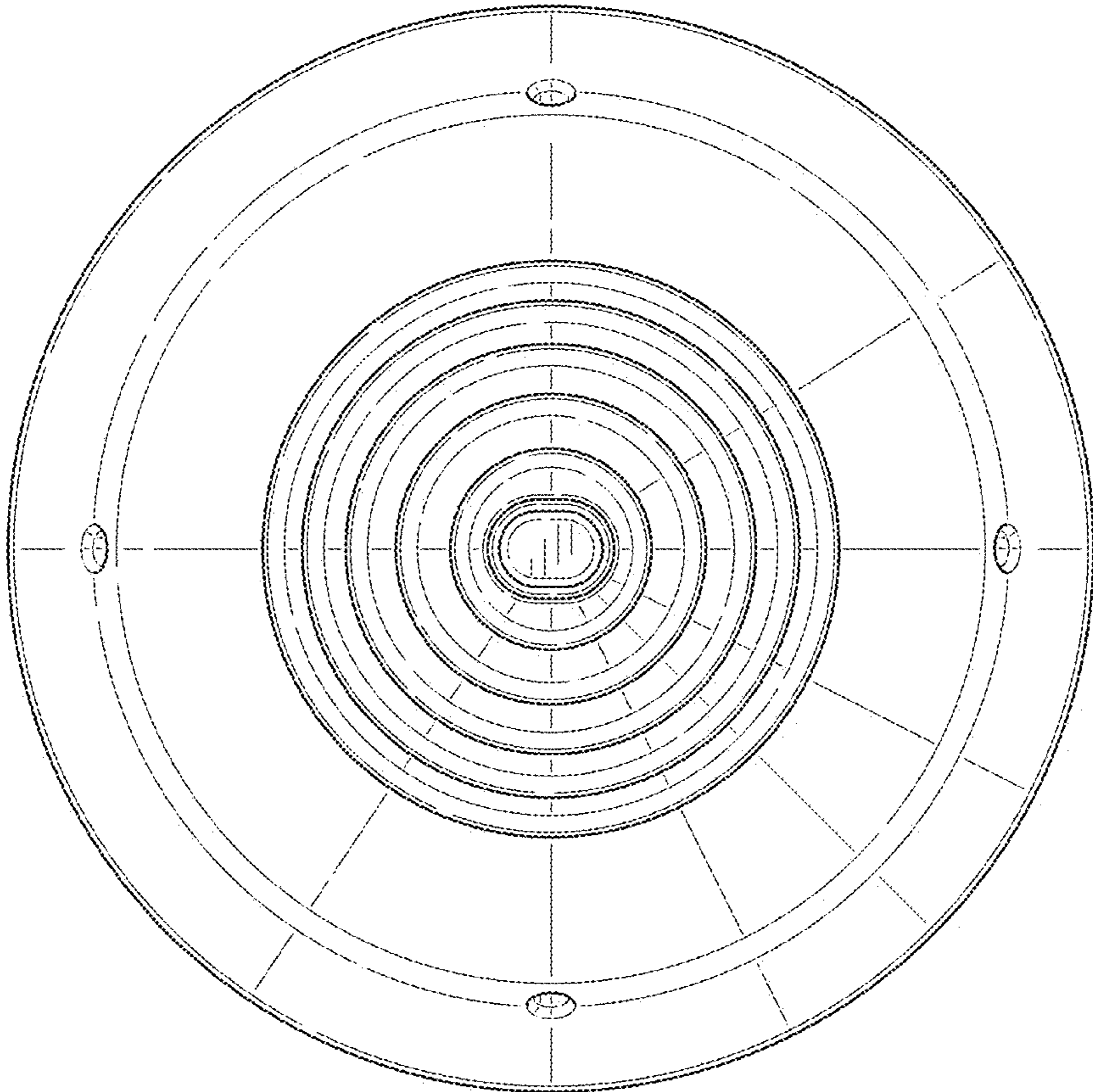


Fig. 6



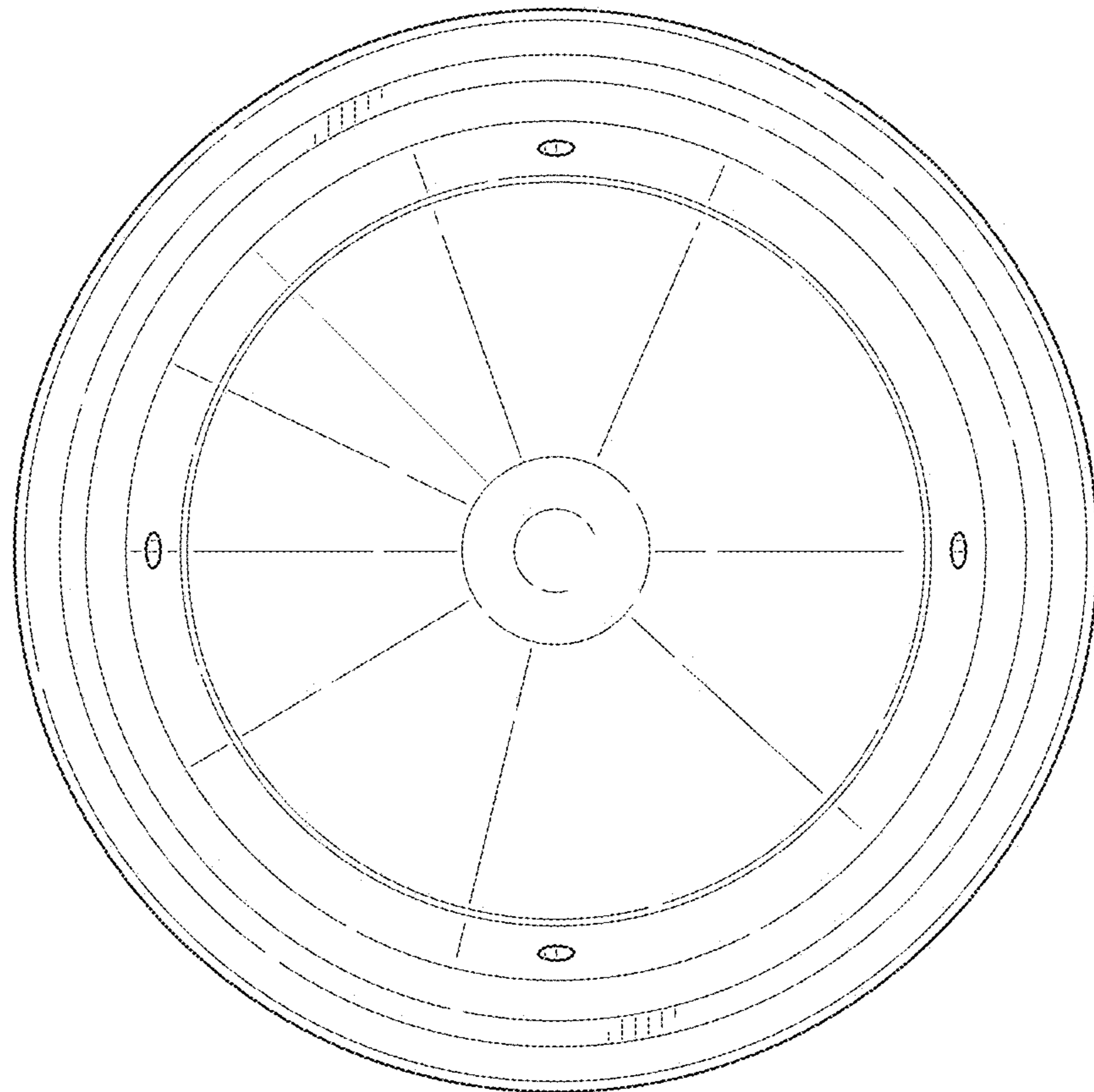


Fig. 7