



US00D930825S

(12) **United States Design Patent**
Ehninger

(10) **Patent No.:** **US D930,825 S**

(45) **Date of Patent:** **** Sep. 14, 2021**

(54) **MEDICAL CONNECTOR CAP**

(71) Applicant: **Merit Medical Systems, Inc.**, South Jordan, UT (US)

(72) Inventor: **Michael D. Ehninger**, South Jordan, UT (US)

(73) Assignee: **Merit Medical Systems, Inc.**, South Jordan, UT (US)

(**) Term: **15 Years**

(21) Appl. No.: **29/722,920**

(22) Filed: **Feb. 3, 2020**

(51) **LOC (13) Cl.** **24-02**

(52) **U.S. Cl.**
USPC **D24/129**

(58) **Field of Classification Search**
USPC D24/129, 112–114, 108, 133, 130, 127,
D24/186; 606/181, 185; 604/264, 272,
604/187, 181, 184, 227

CPC .. A61M 39/00; A61M 25/0067; A61M 5/178;
A61M 3/00; A61M 5/20; A61M 5/31;
A61M 5/3146; A61M 5/3129; A61M
5/3148; A61M 5/315

See application file for complete search history.

(56) **References Cited**

U.S. PATENT DOCUMENTS

D820,972 S * 6/2018 Klever D24/108
10,359,139 B2 * 7/2019 Duck F16L 37/02

10,493,261 B2 * 12/2019 Solomon A61M 39/165
D879,956 S * 3/2020 Klenner D24/129
D901,006 S * 11/2020 Bergeson D24/129
D905,234 S * 12/2020 Nock D24/127
D906,487 S * 12/2020 Greep D23/262
D910,184 S * 2/2021 Orome D24/169
D910,854 S * 2/2021 Cise D24/169
D917,396 S * 4/2021 Assmann D13/133
D917,693 S * 4/2021 Lev D24/129
D921,161 S * 6/2021 Laible D23/249
D921,169 S * 6/2021 Cheng D23/266

* cited by examiner

Primary Examiner — David G Muller

(74) *Attorney, Agent, or Firm* — Stoel Rives LLP

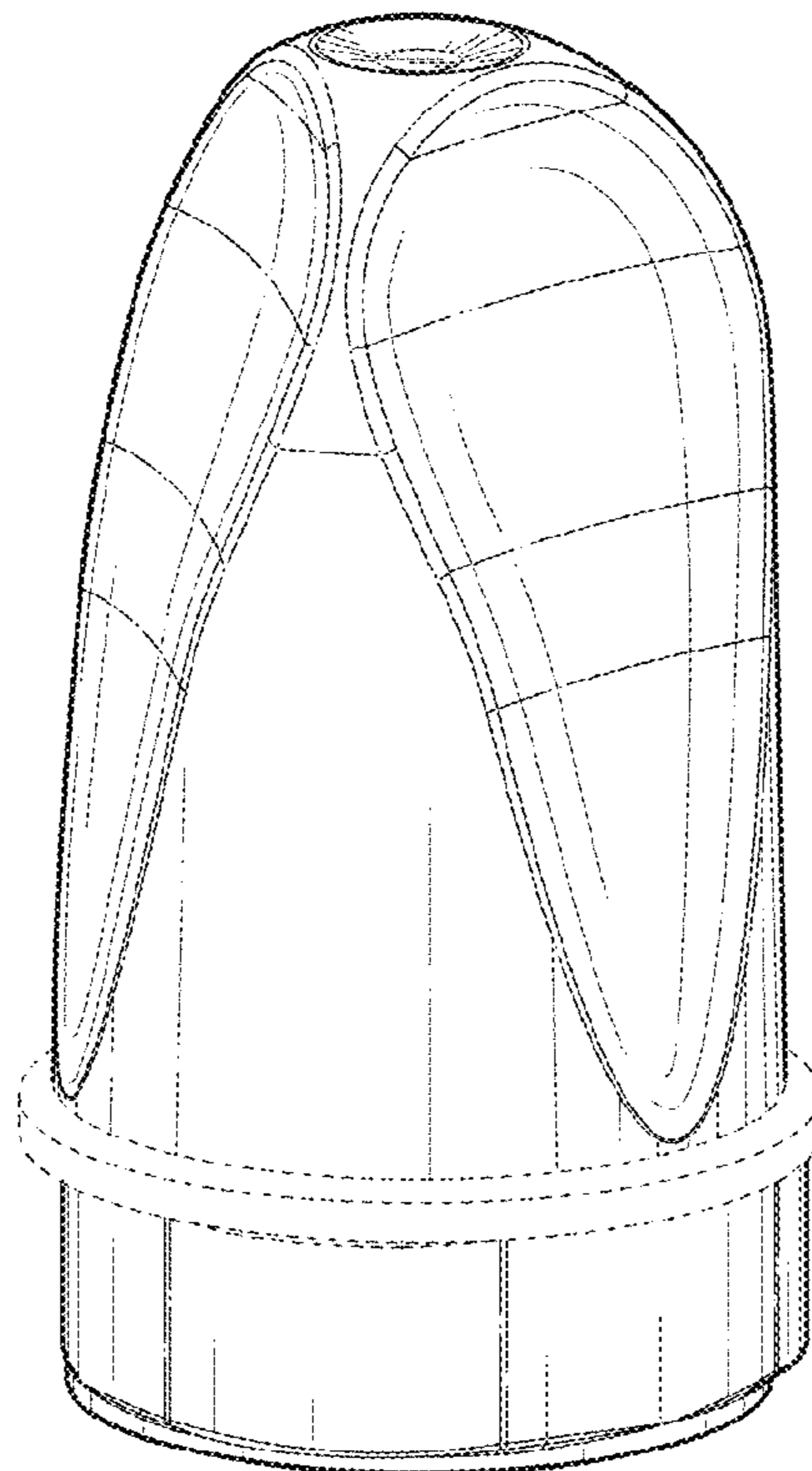
(57) **CLAIM**

The ornamental design for a medical connector cap, as shown and described.

DESCRIPTION

FIG. 1 is a top pictorial view of a medical connector cap.
FIG. 2 is a bottom pictorial view thereof.
FIG. 3 is a front elevational view thereof.
FIG. 4 is a rear elevation view thereof.
FIG. 5 is a left side elevational view thereof.
FIG. 6 is a right side elevational view thereof.
FIG. 7 is a top plan view thereof; and,
FIG. 8 is a bottom plan view thereof.
The broken lines form no part of the claimed design.

1 Claim, 4 Drawing Sheets



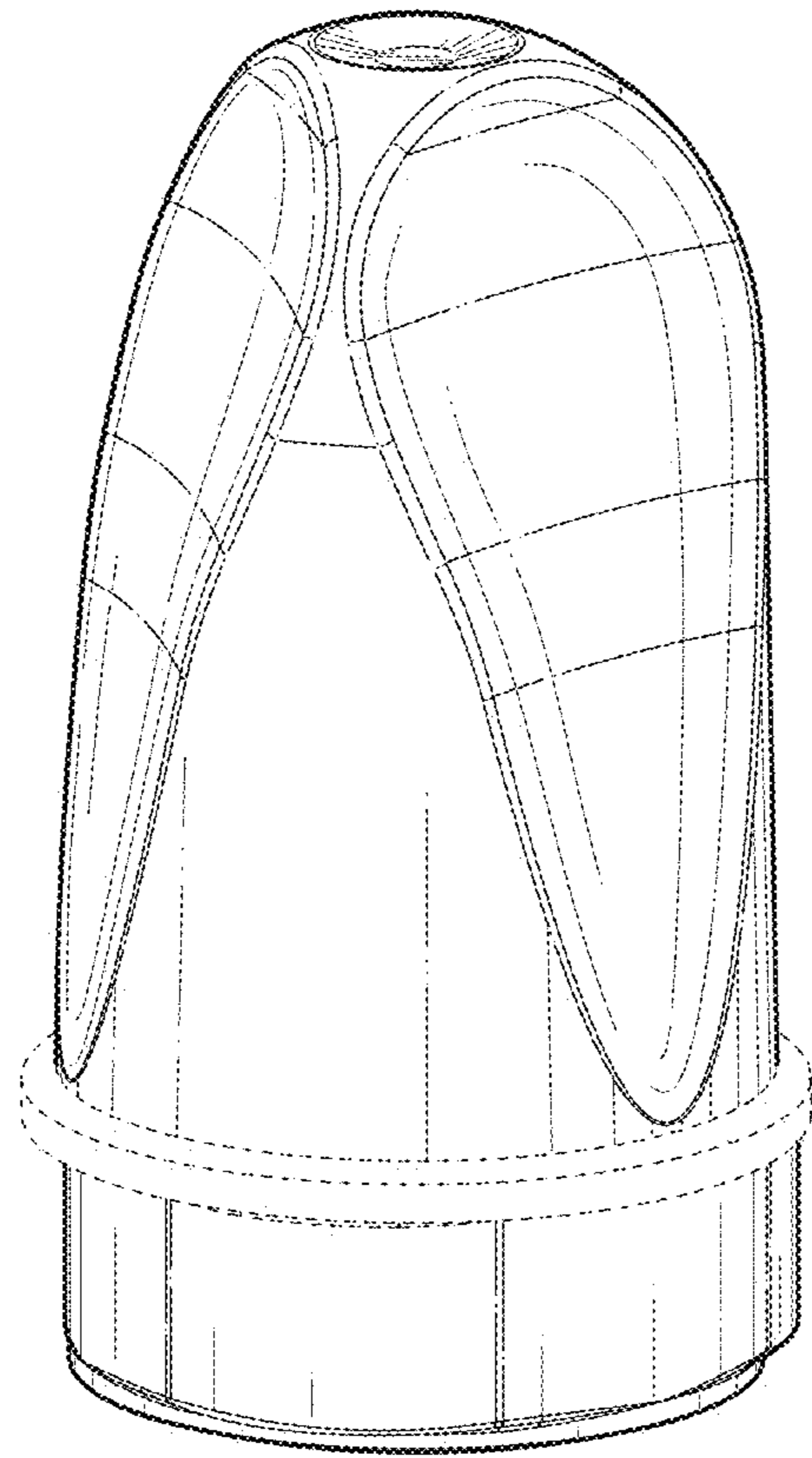


FIG. 1

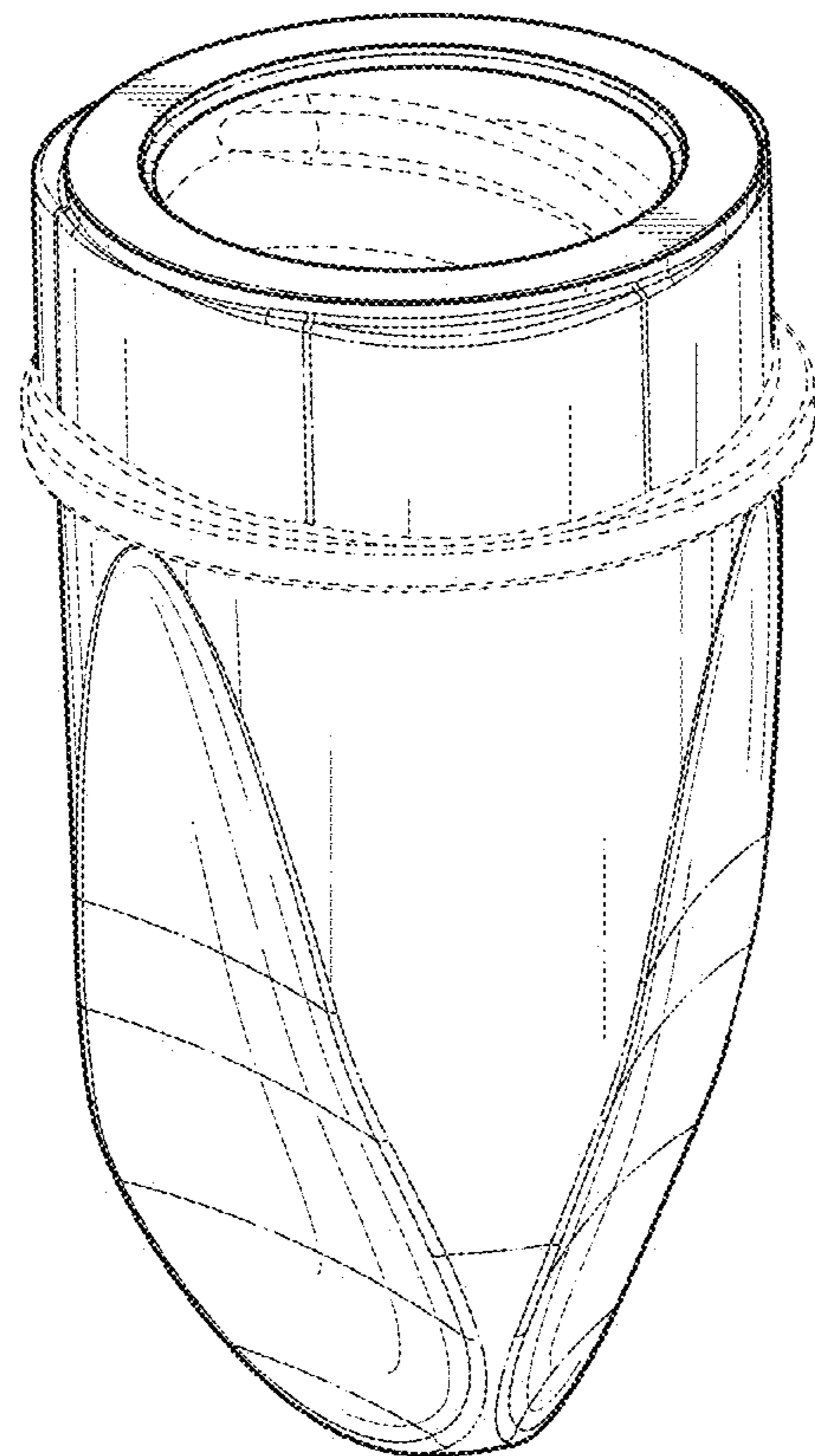


FIG. 2

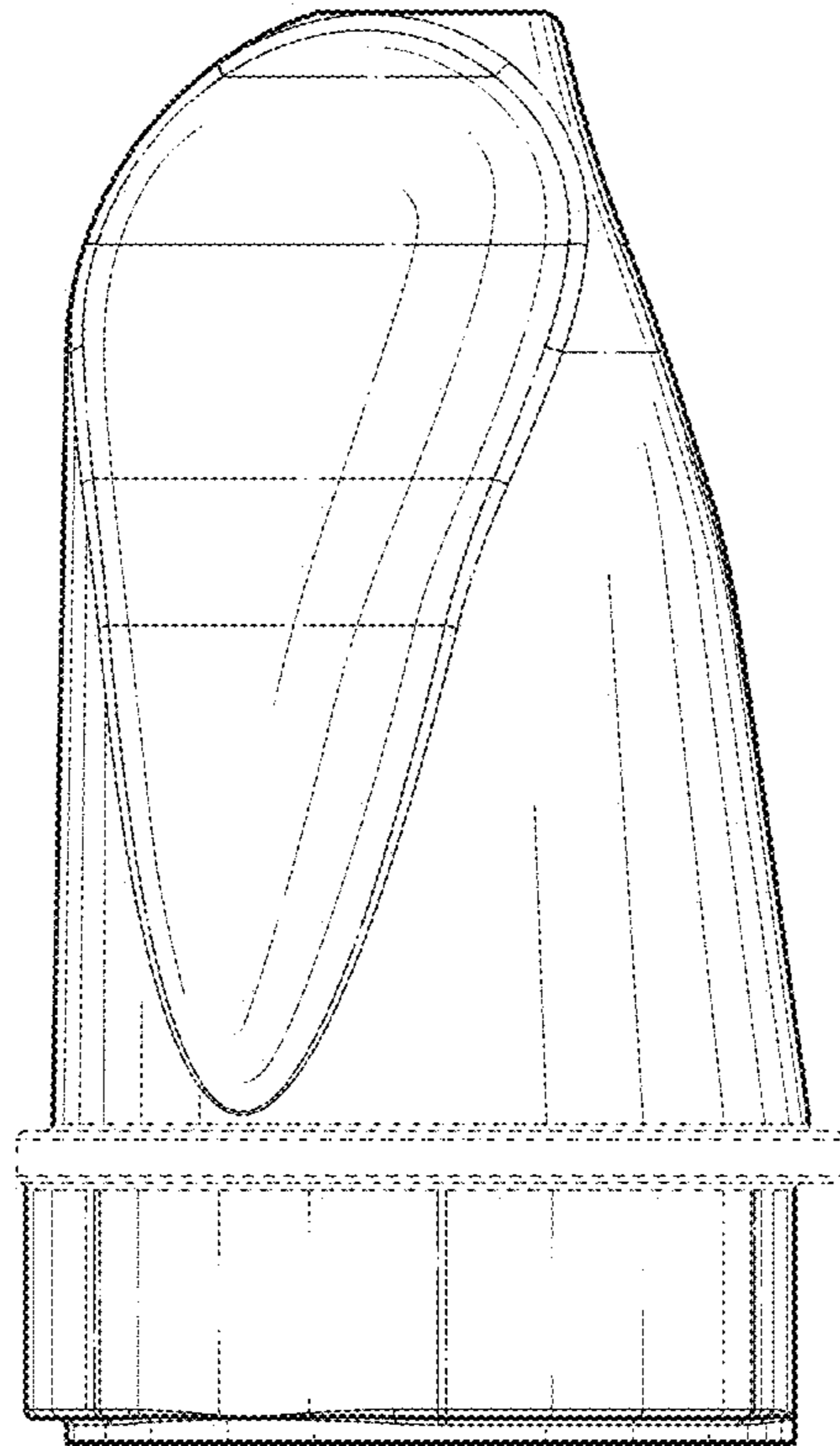


FIG. 3

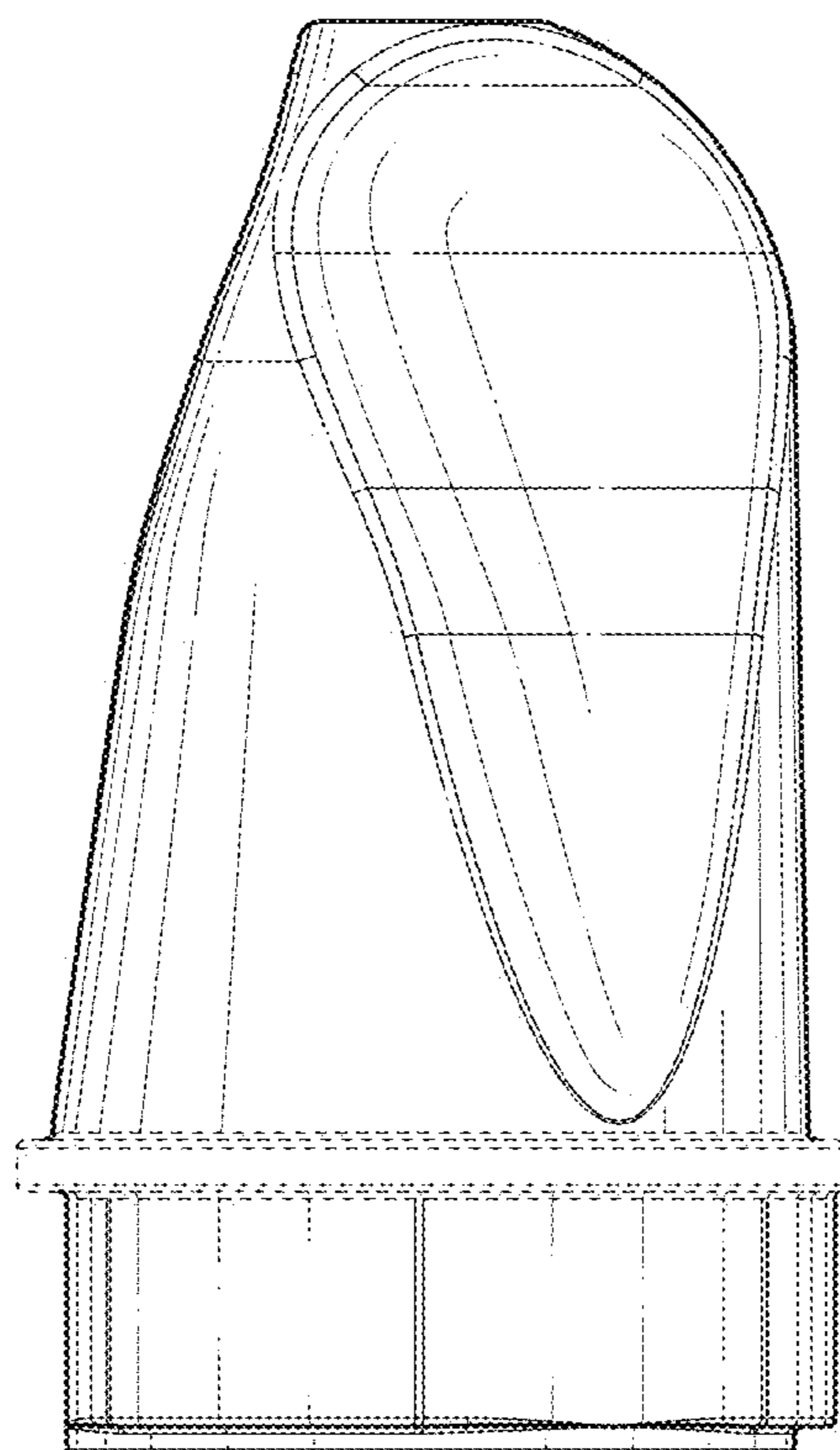


FIG. 4

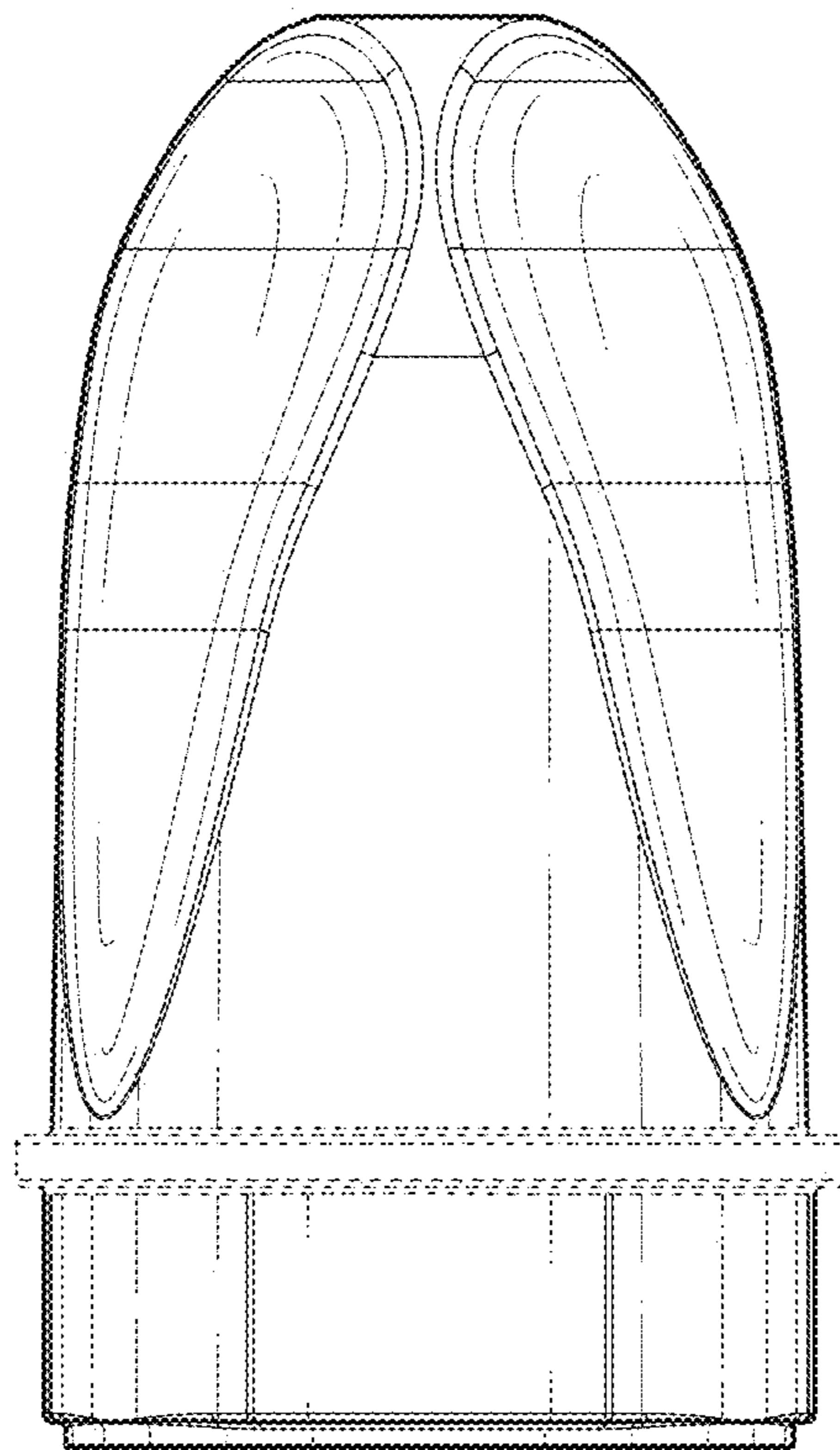


FIG. 5

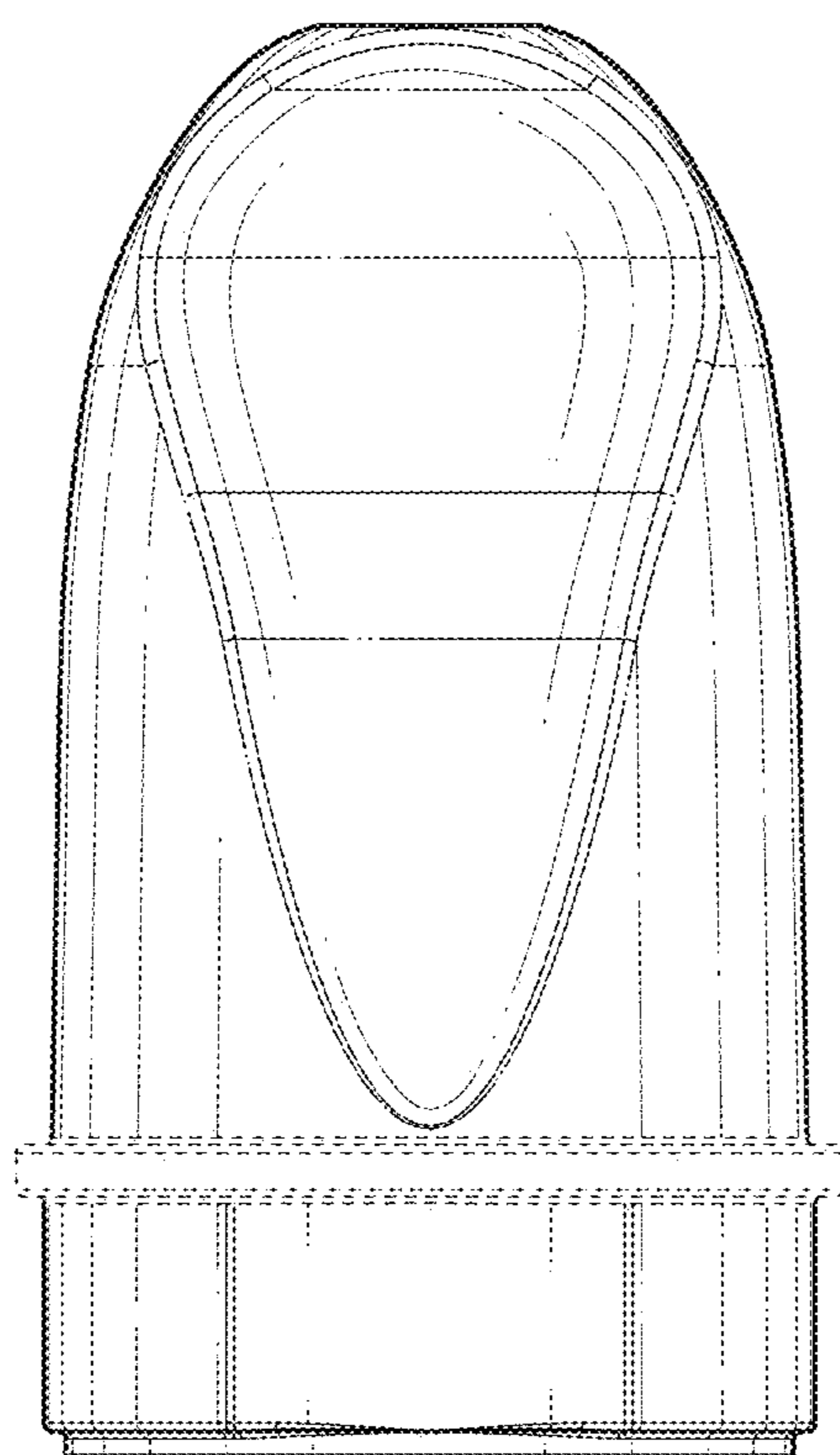


FIG. 6

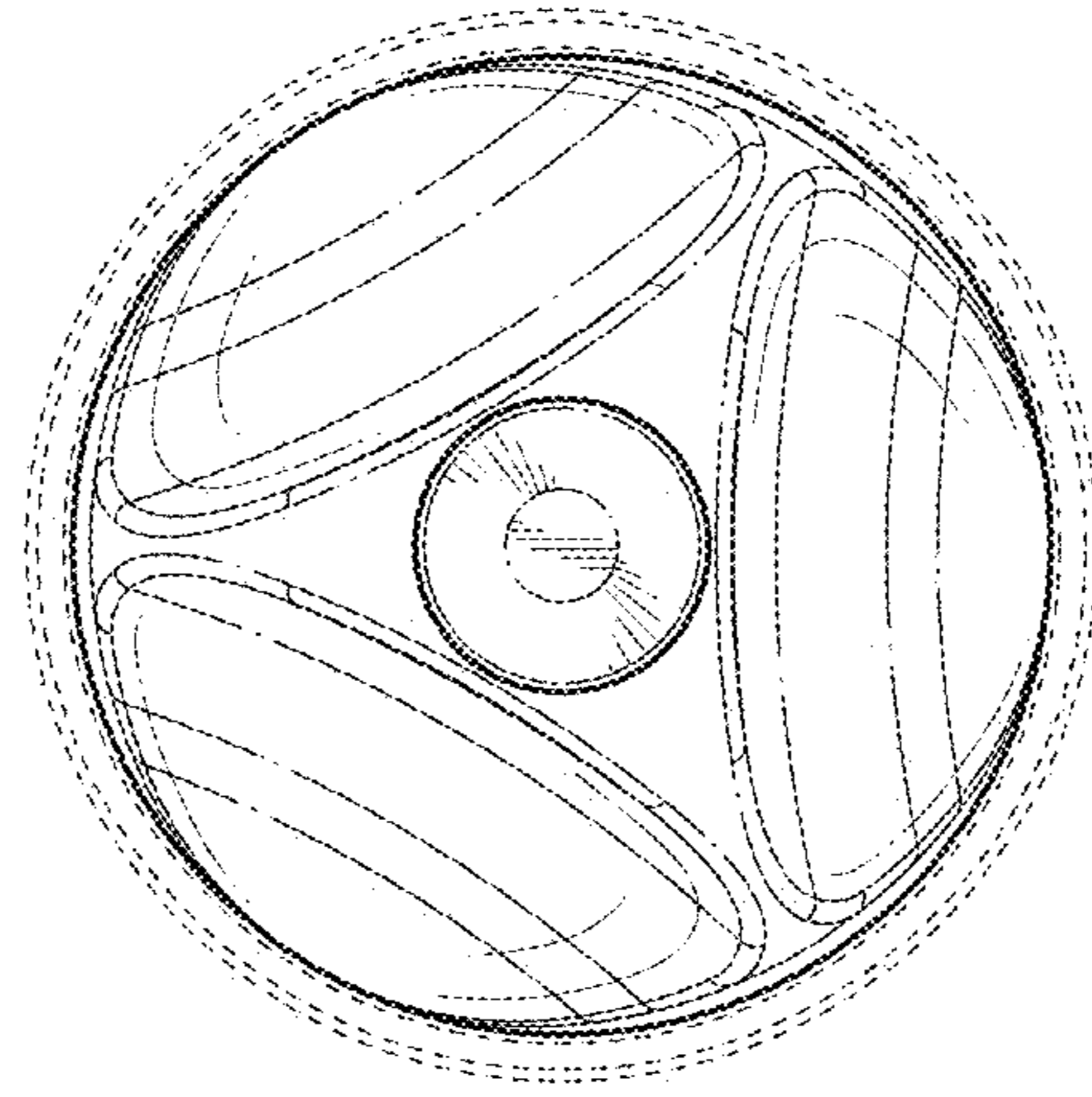


FIG. 7

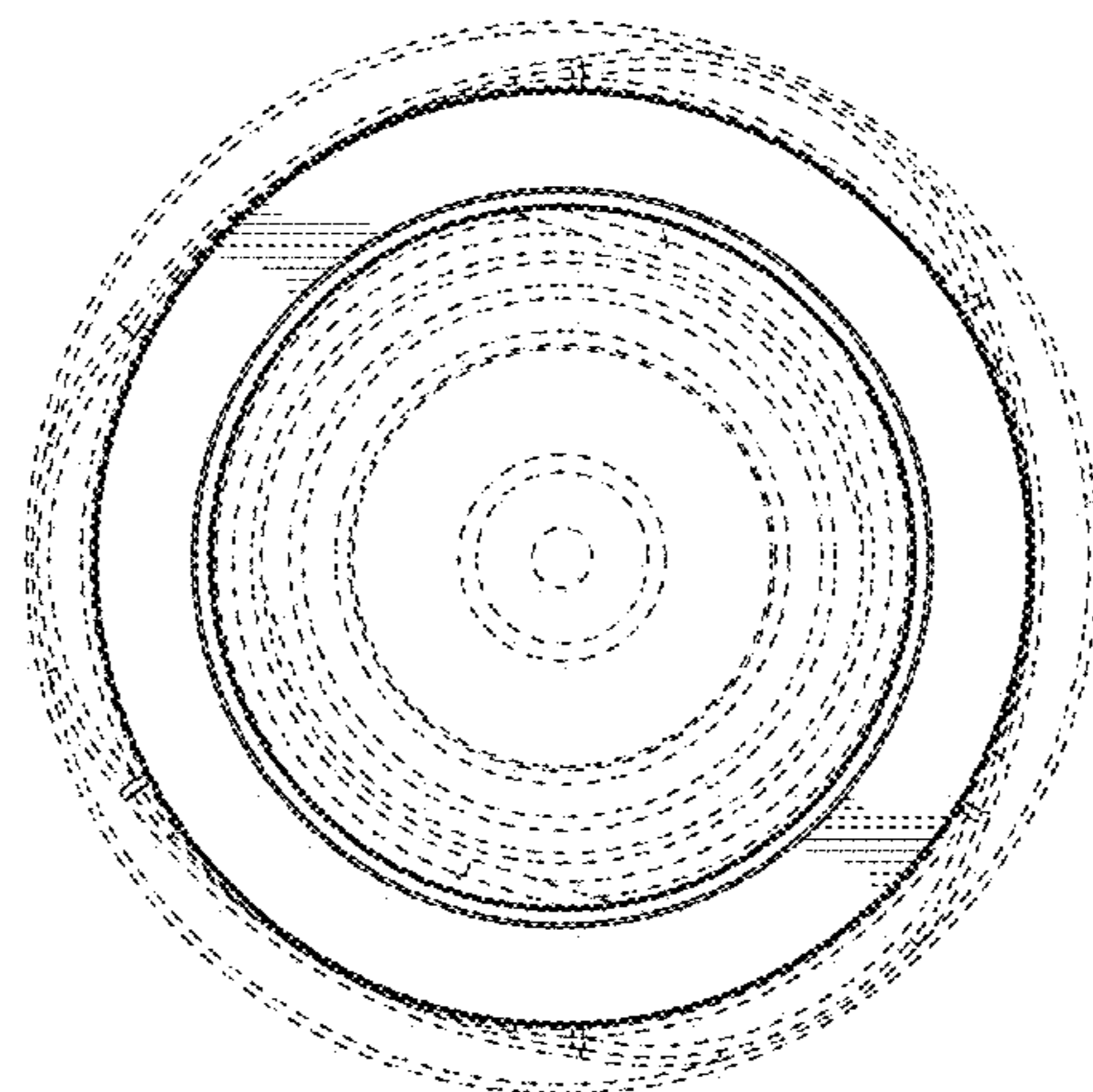


FIG. 8