

US00D930821S

(12) **United States Design Patent** (10) **Patent No.:** **US D930,821 S**
Han (45) **Date of Patent:** **** Sep. 14, 2021**

(54) **CRYOGENIC THERAPEUTIC DEVICE**

(56) **References Cited**

(71) Applicant: **Yozma Bmtech Co., Ltd.**, Seongnam-si (KR)

U.S. PATENT DOCUMENTS

(72) Inventor: **Seung Moo Han**, Seongnam-si (KR)

3,503,536 A * 3/1970 Ashworth, Jr. F17C 13/084
220/724

(**) Term: **15 Years**

D236,550 S * 8/1975 Cann D15/84

(21) Appl. No.: **35/508,331**

D715,403 S * 10/2014 Ames D23/233

(22) Filed: **Oct. 22, 2019**

D740,973 S * 10/2015 Gonzalez D26/3

(80) **Hague Agreement Data**

D757,237 S * 5/2016 Gonzalez D23/332

Int. Filing Date: **Oct. 22, 2019**

D828,487 S * 9/2018 Romanos D23/202

Int. Reg. No.: **DM/205155**

D845,084 S * 4/2019 Jacobsen D7/608

Int. Reg. Date: **Oct. 22, 2019**

2002/0083718 A1 * 7/2002 Emmel F17C 3/08
62/46.1

Int. Reg. Pub. Date: **Jan. 17, 2020**

2002/0084277 A1 * 7/2002 Mullens F17C 3/08
220/560.04

(51) **LOC (13) Cl.** **24-02**

* cited by examiner

(52) **U.S. Cl.**

Primary Examiner — Eliza Z Bennett-Hattan

USPC **D24/113**

(74) *Attorney, Agent, or Firm* — Rabin & Berdo, P.C.

(58) **Field of Classification Search**

(57) **CLAIM**

USPC D24/108, 111, 105, 200, 204, 207, 113;
D23/202; D7/608

The ornamental design for a cryogenic therapeutic device, as shown and described.

CPC F17C 2223/0161; F17C 2203/0629; F17C

DESCRIPTION

2223/033; F17C 2203/0391; F17C

1. Cryogenic therapeutic device

2201/0109; F17C 2203/0643; F17C

1.1 : Perspective

2205/0332; F17C 2201/0104; F17C

1.2 : Front

2203/0366; F25D 3/107; F25D 3/105;

1.3 : Back

Y10S 220/901; Y10S 505/875; Y10S

1.4 : Left

505/898; Y10S 128/27; Y10S 285/904;

1.5 : Right

Y10S 285/914; Y10S 220/918; Y10S

1.6 : Top

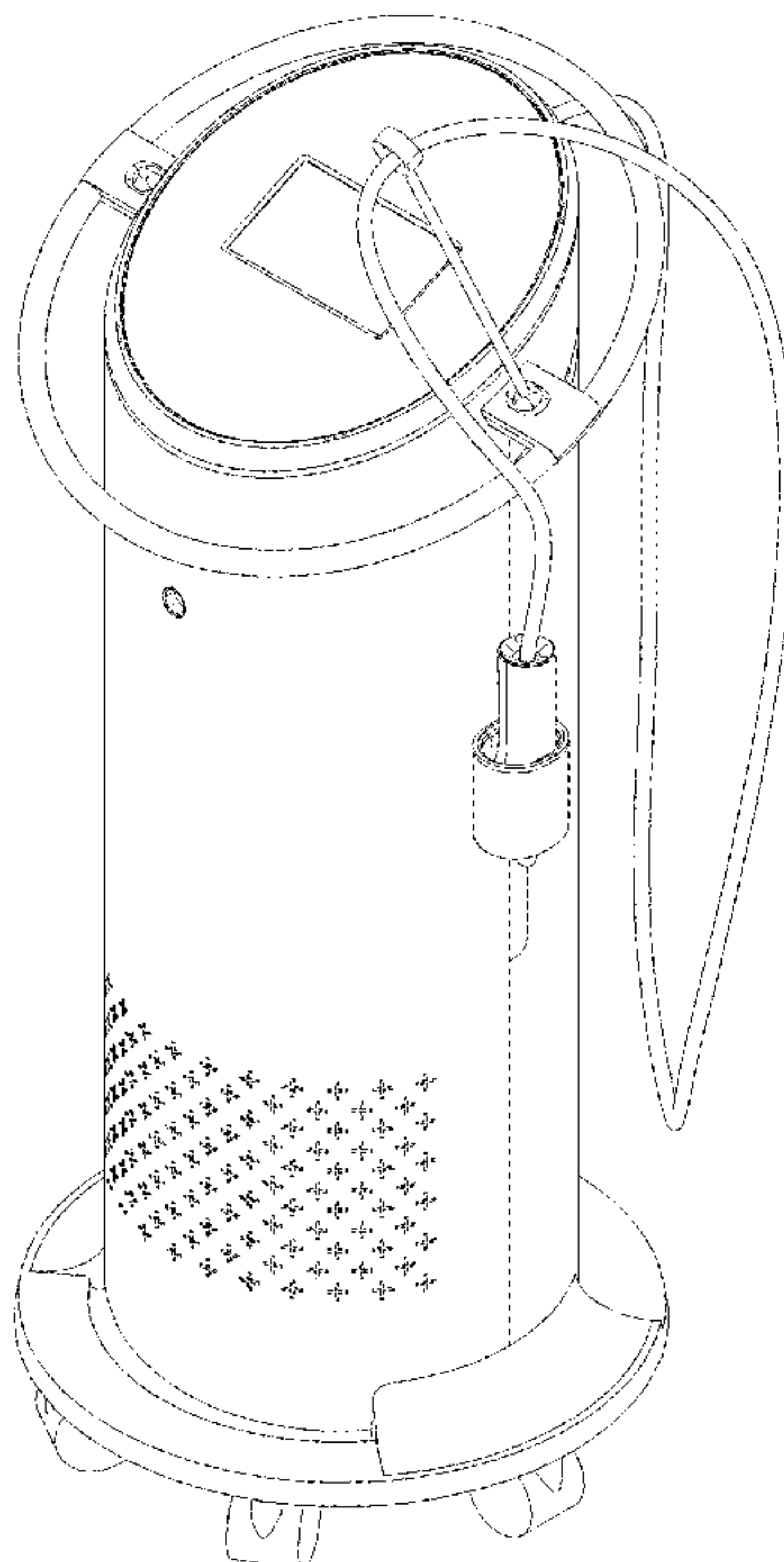
292/49

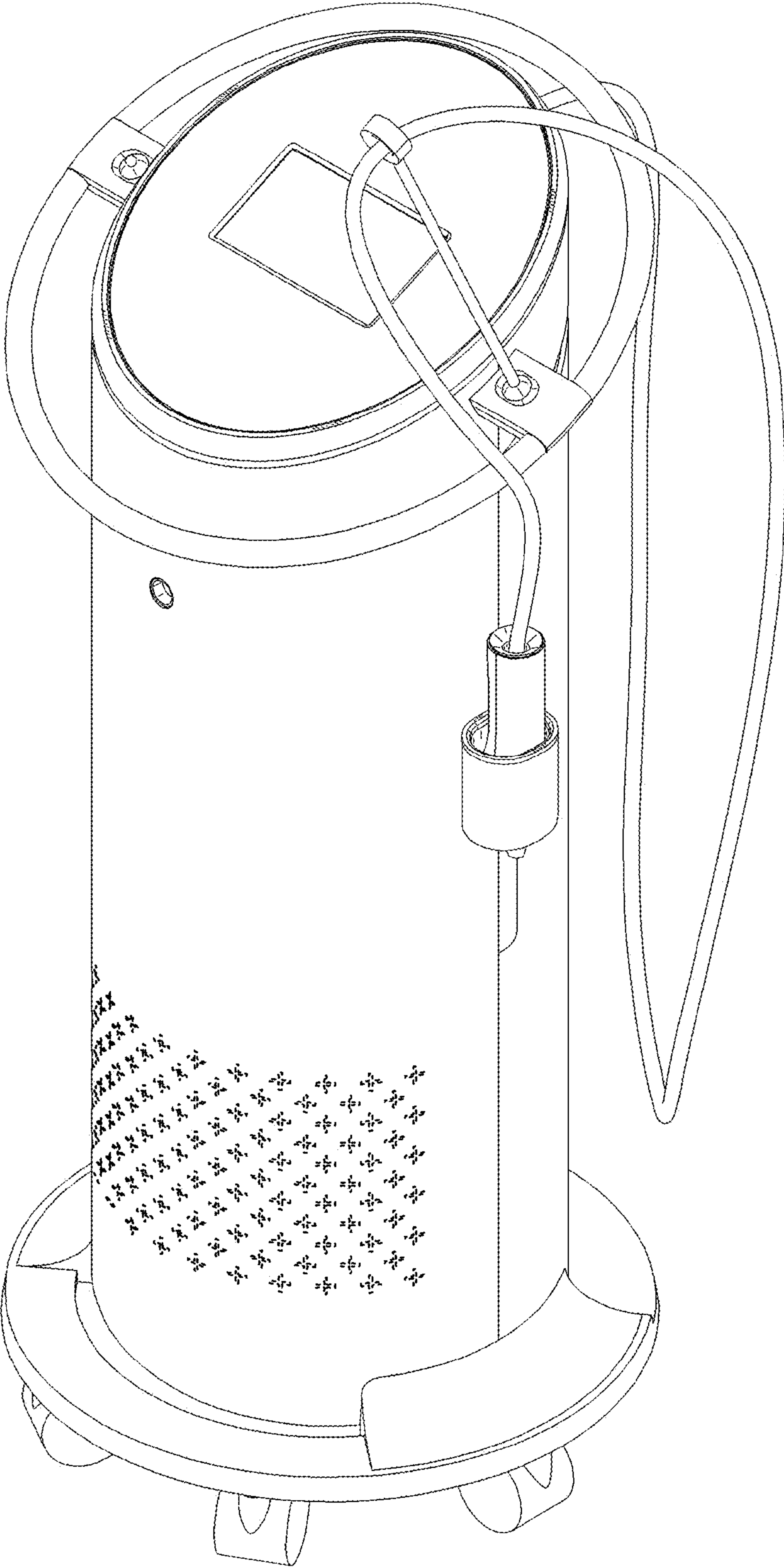
1.7 : Bottom

The broken line portion of the figure drawings is included to show portions of the article that form no part of the claimed design.

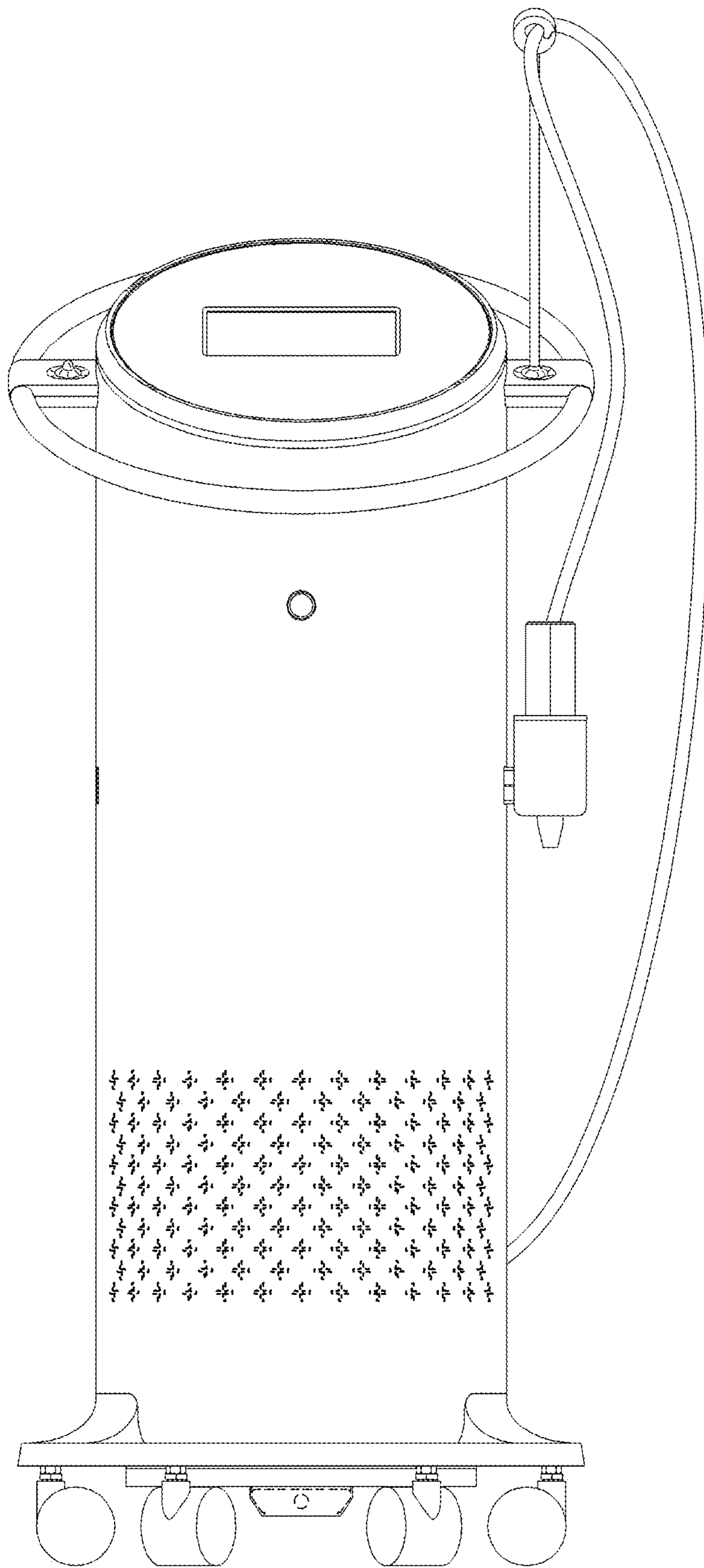
See application file for complete search history.

1 Claim, 7 Drawing Sheets

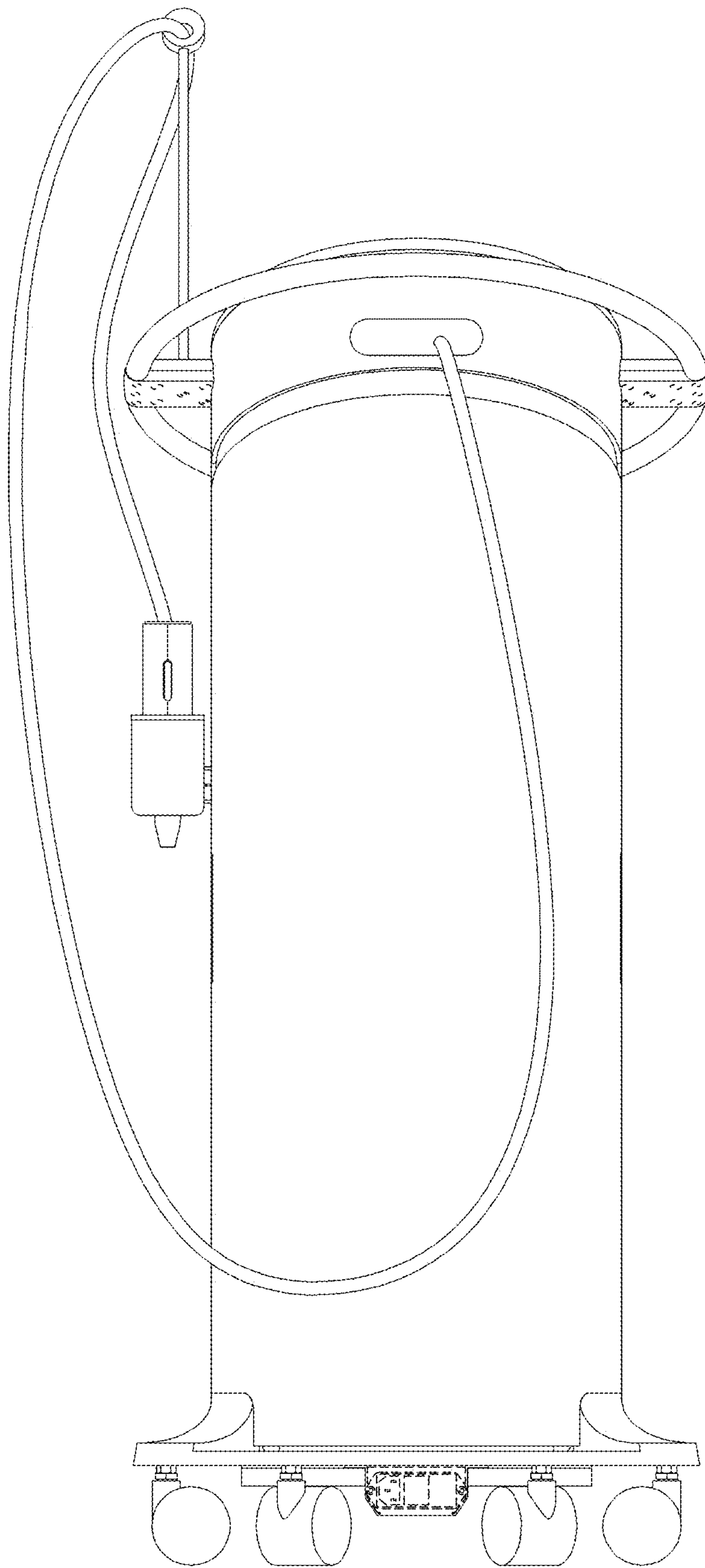




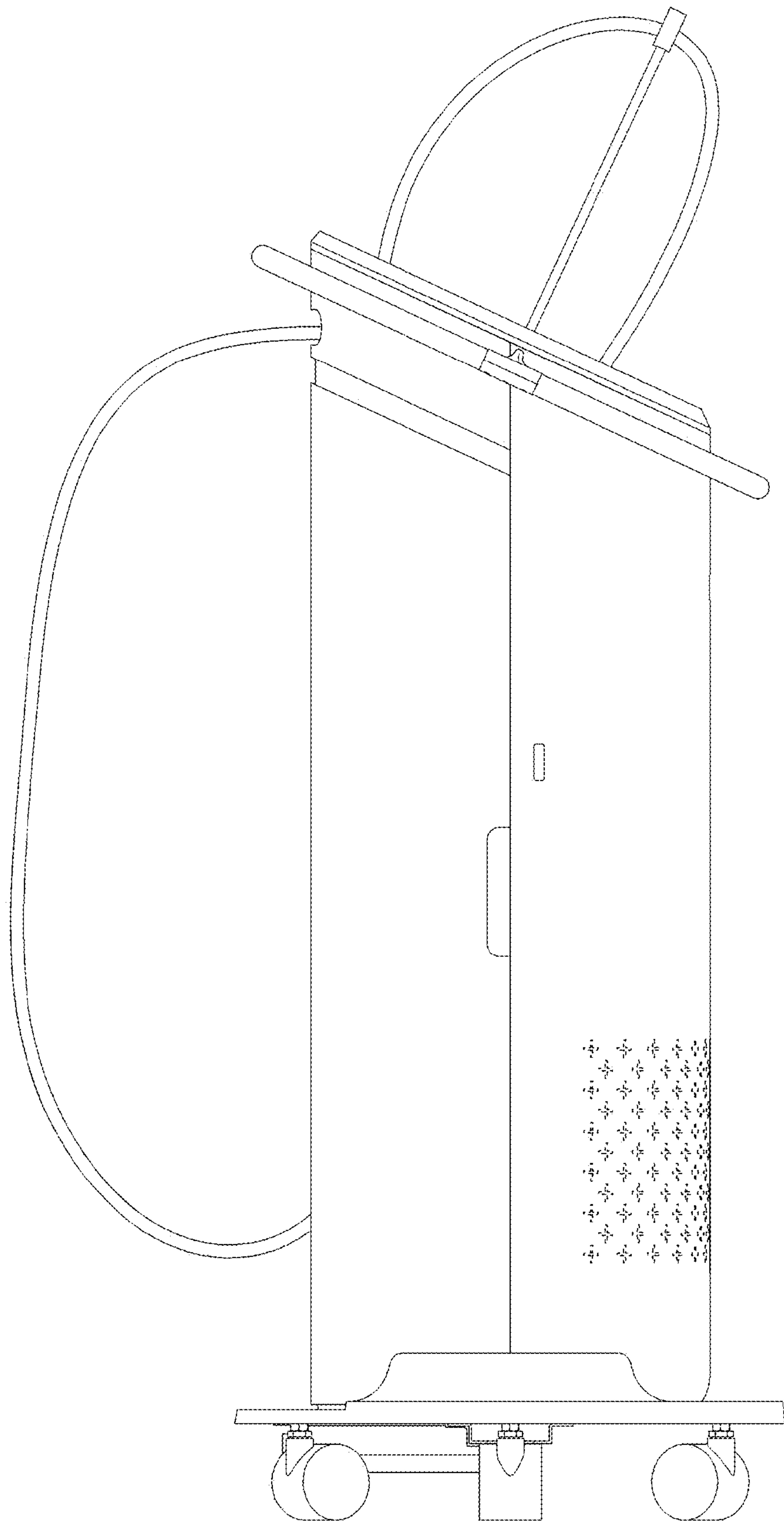
1.1



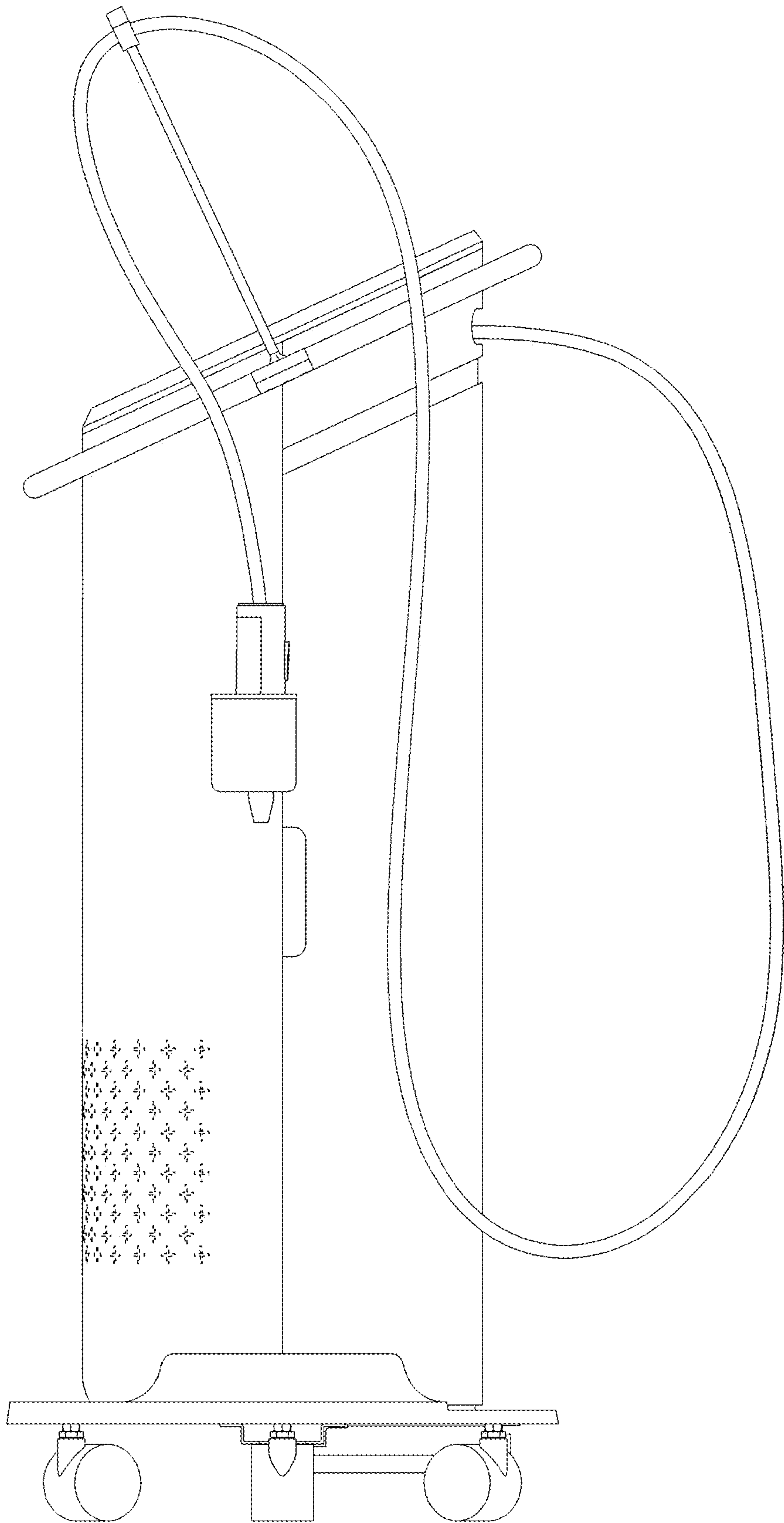
1.2



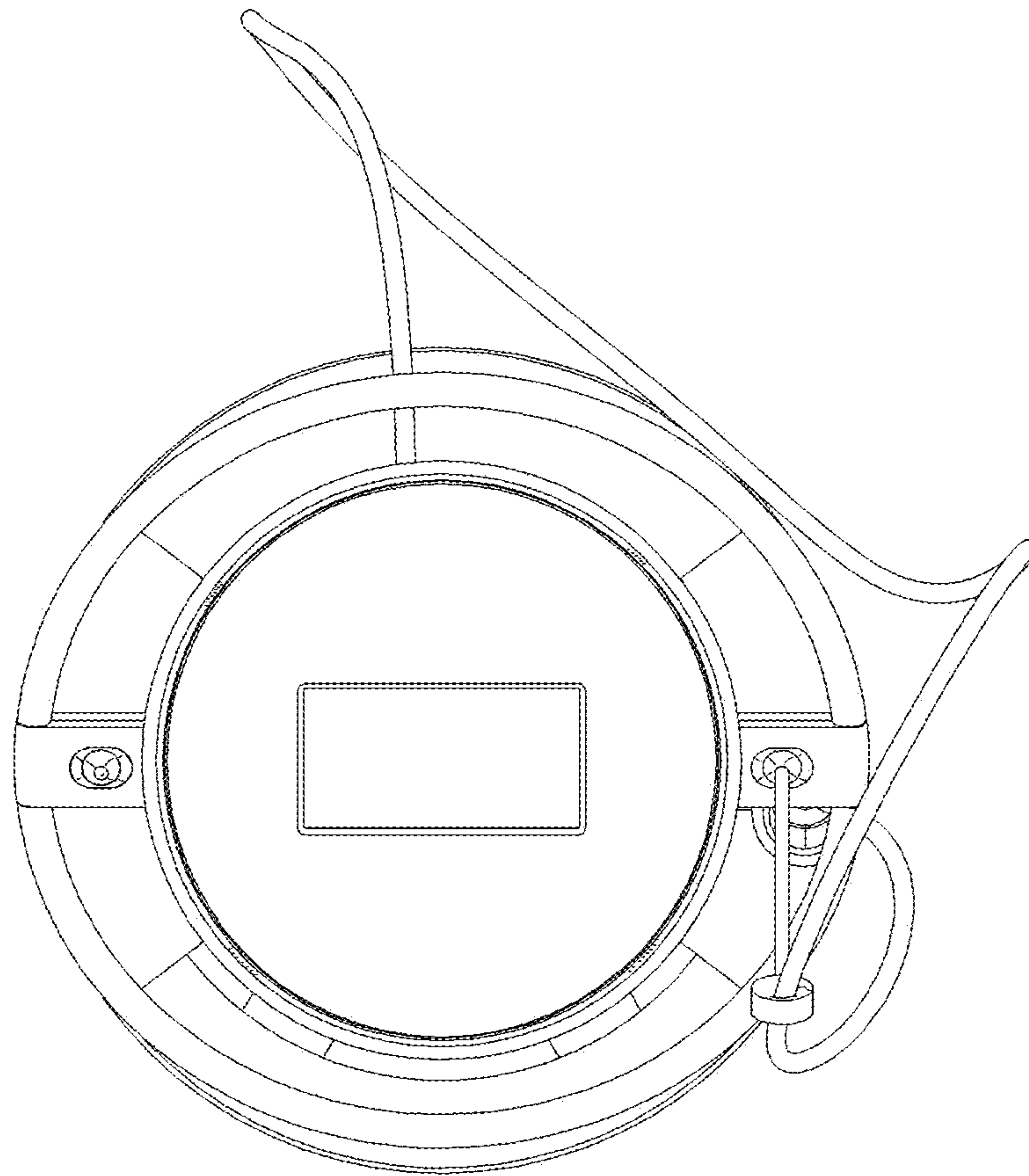
1.3



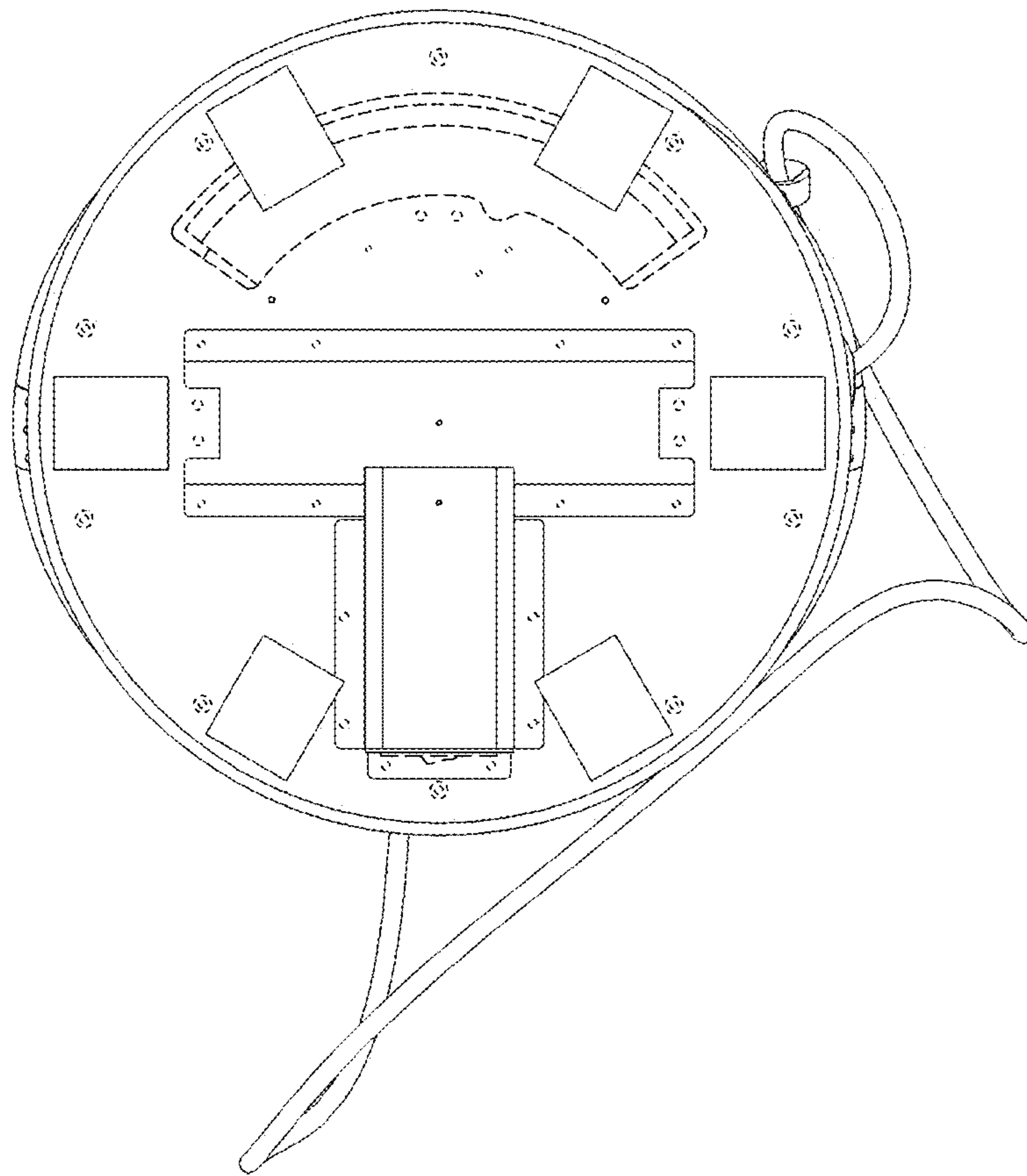
1.4



1.5



1.6



1.7