



US00D930820S

(12) **United States Design Patent**  
**Jaoudeh et al.**

(10) **Patent No.:** **US D930,820 S**

(45) **Date of Patent:** **\*\* Sep. 14, 2021**

(54) **INJECTION DEVICE**

(71) Applicant: **NA Market Direct**, King of Prussia, PA (US)

(72) Inventors: **Bechara Jaoudeh**, Chalfont, PA (US);  
**Renee Heath**, Basking Ridge, NJ (US)

(73) Assignee: **NA MARKET DIRECT**, King of Prussia, PA (US)

(\*\*) Term: **15 Years**

(21) Appl. No.: **29/697,657**

(22) Filed: **Jul. 10, 2019**

(51) **LOC (13) Cl.** ..... **24-02**

(52) **U.S. Cl.**  
USPC ..... **D24/112**

(58) **Field of Classification Search**  
USPC ..... D24/112-114, 108, 133, 130, 127, 186;  
606/181, 185; 604/264, 272, 187, 181,  
604/184, 227  
CPC ..... A61M 5/178; A61M 3/00; A61M 5/20;  
A61M 5/31; A61M 5/3146; A61M  
5/3129; A61M 5/3148; A61M 5/315  
See application file for complete search history.

(56) **References Cited**

**U.S. PATENT DOCUMENTS**

D370,974 S \* 6/1996 Barresi ..... 604/181  
5,830,152 A \* 11/1998 Tao ..... A61B 10/0233  
600/562  
D568,993 S \* 5/2008 Melanson ..... D24/133  
D614,299 S \* 4/2010 Koh ..... D24/133

D645,962 S \* 9/2011 Shaw ..... D24/130  
8,920,385 B2 \* 12/2014 Dowds ..... A61M 5/3202  
604/227  
D763,433 S \* 8/2016 Davidian ..... D24/108  
D766,426 S \* 9/2016 Hamann ..... D24/114  
D820,972 S \* 6/2018 Klever ..... D24/108  
D834,181 S \* 11/2018 Lee-Sepsick ..... D24/112  
10,272,203 B2 \* 4/2019 Holmqvist ..... A61M 5/3129  
D899,592 S \* 10/2020 Stucki ..... D24/130

**FOREIGN PATENT DOCUMENTS**

EP 3626291 A1 \* 3/2020 ..... A61M 5/3204

\* cited by examiner

*Primary Examiner* — David G Muller

(74) *Attorney, Agent, or Firm* — Jon E. Gordon; Haug Partners LLP

(57) **CLAIM**

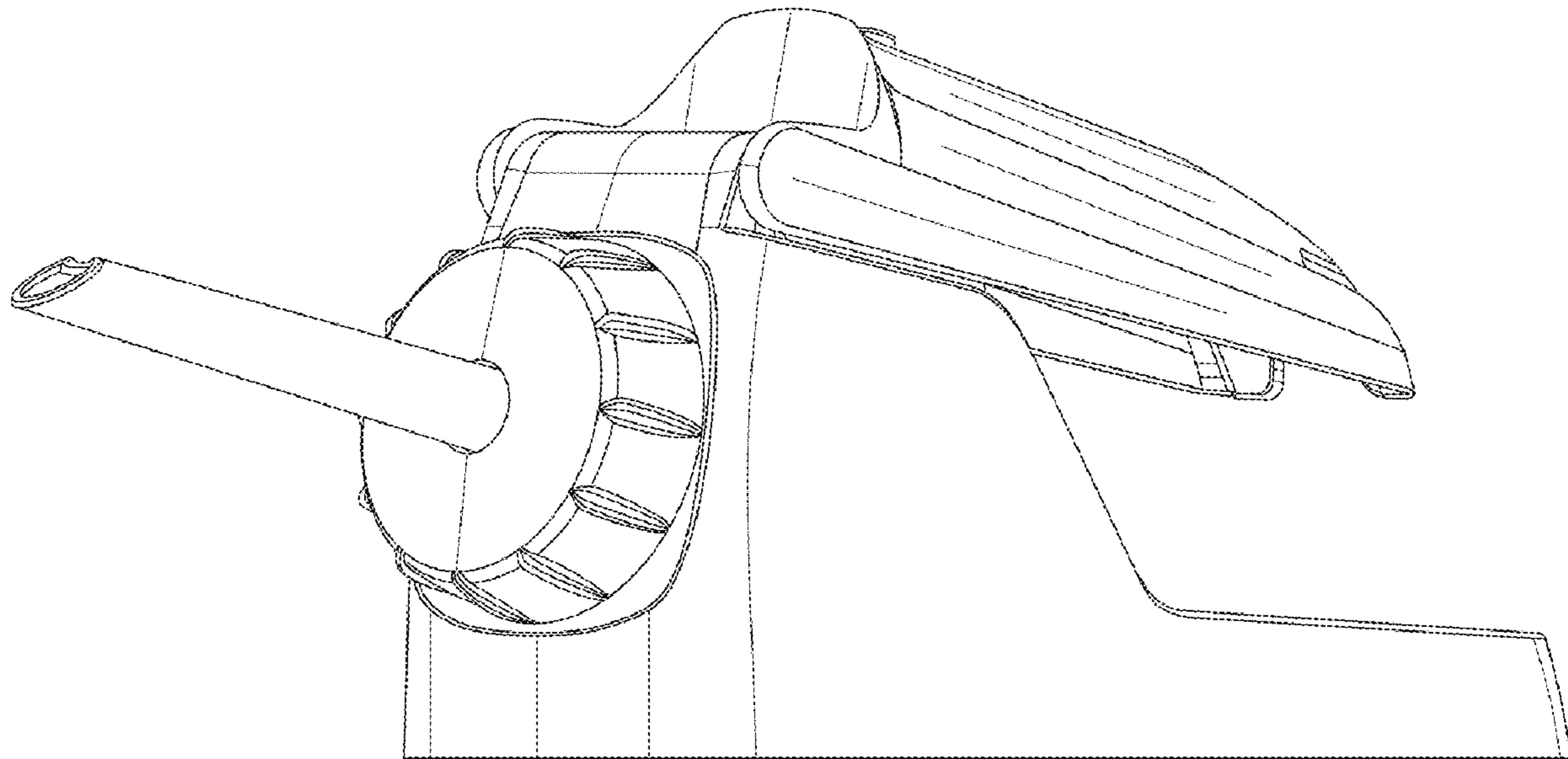
The ornamental design for an injection device, as shown and described.

**DESCRIPTION**

FIG. 1 is a perspective view of an injection device, showing our new design;  
FIG. 2 is a bottom-perspective view thereof;  
FIG. 3 is a left-side view thereof;  
FIG. 4 is a right-side view thereof;  
FIG. 5 is a top view thereof;  
FIG. 6 is a bottom view thereof;  
FIG. 7 is a front view thereof; and,  
FIG. 8 is a back view thereof.

The broken lines in the figures show portions of the injection device that form no part of the claimed design.

**1 Claim, 8 Drawing Sheets**



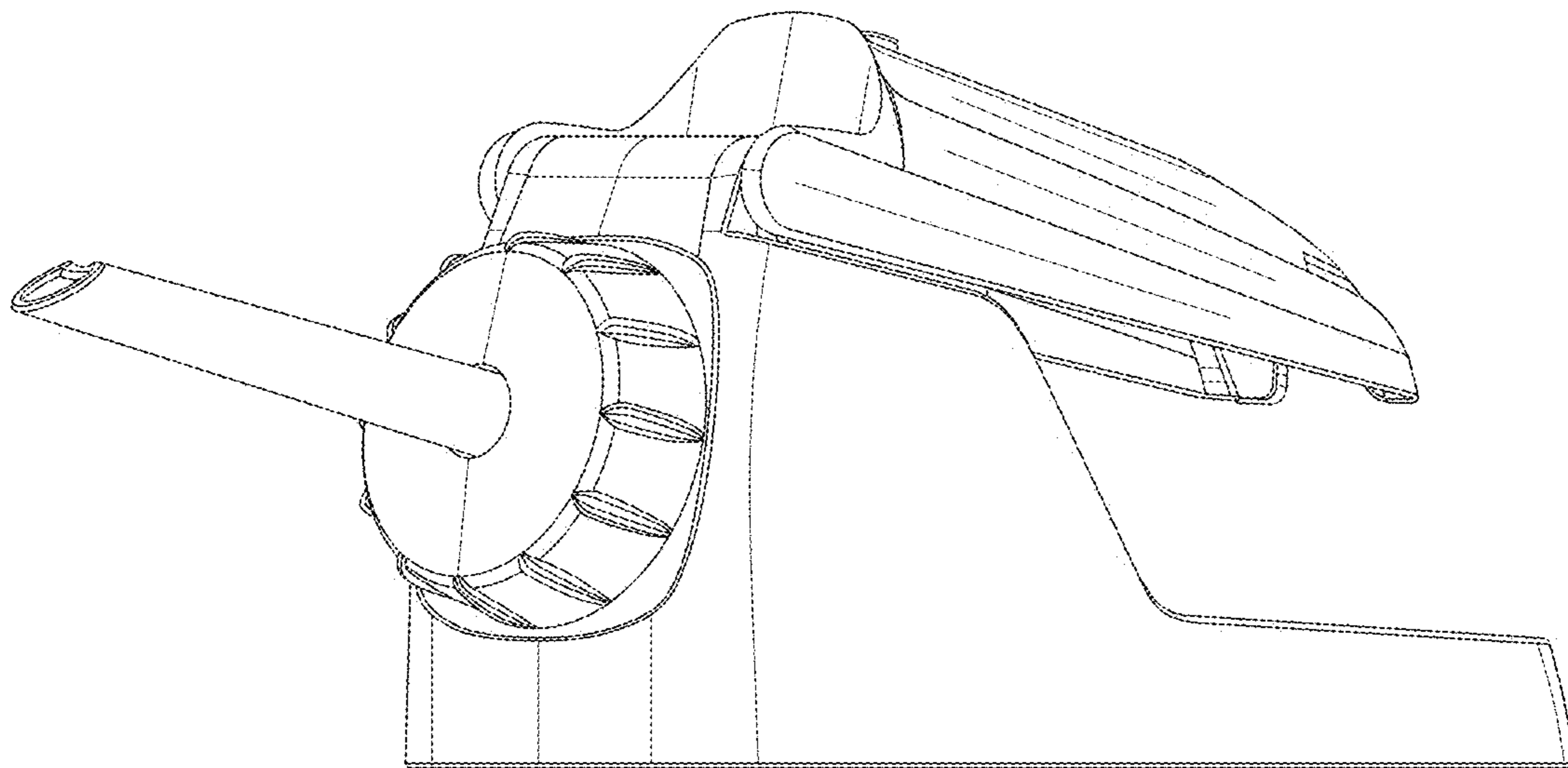


FIG. 1

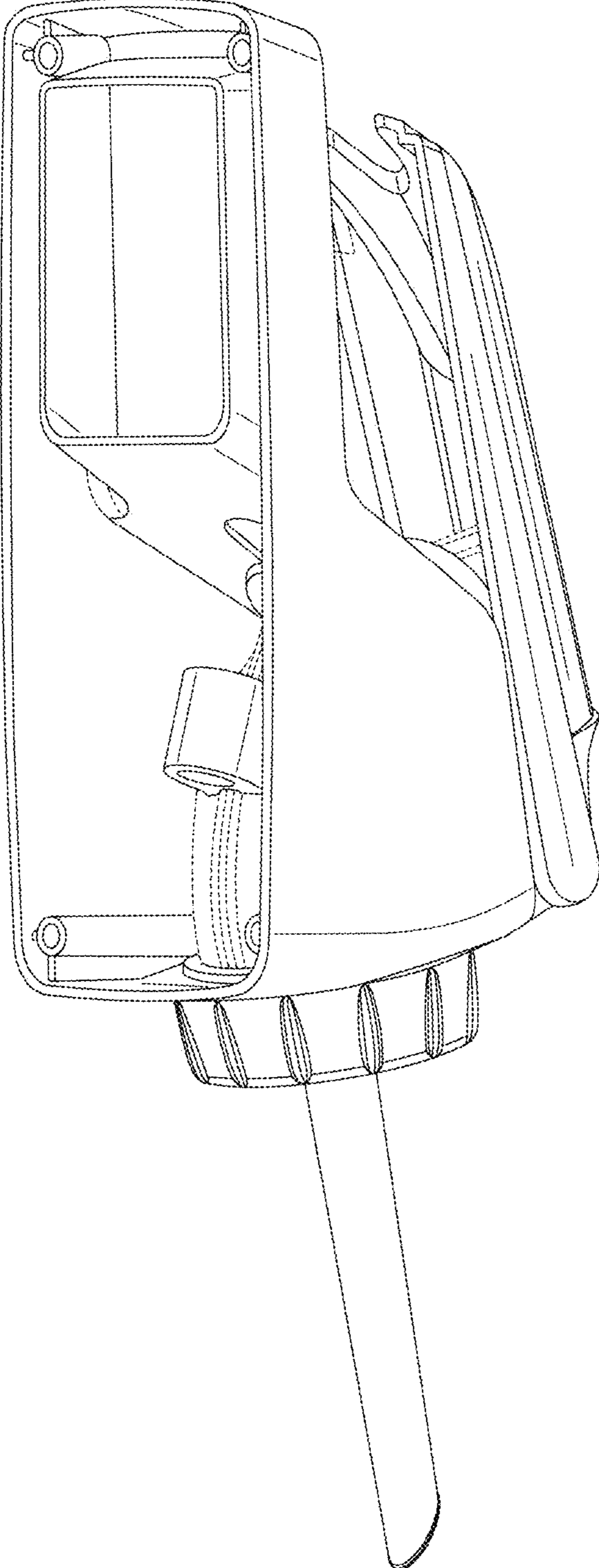


FIG. 2

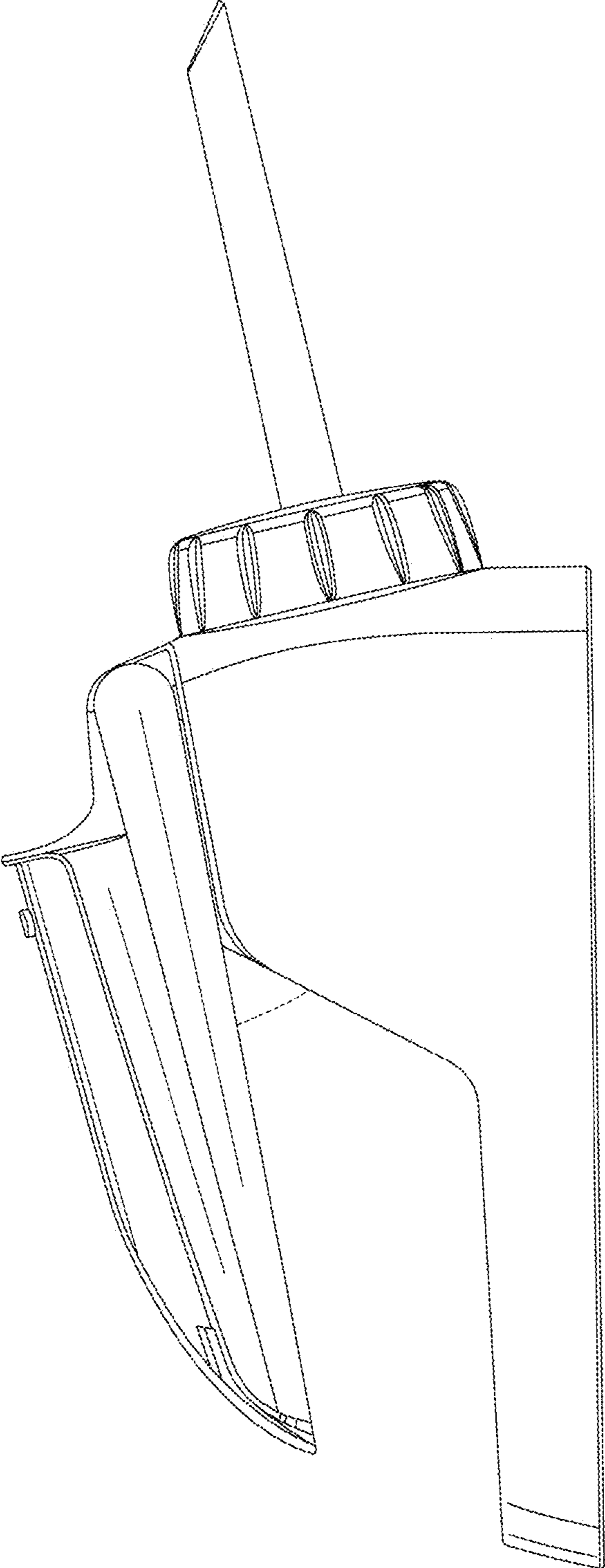


FIG. 3

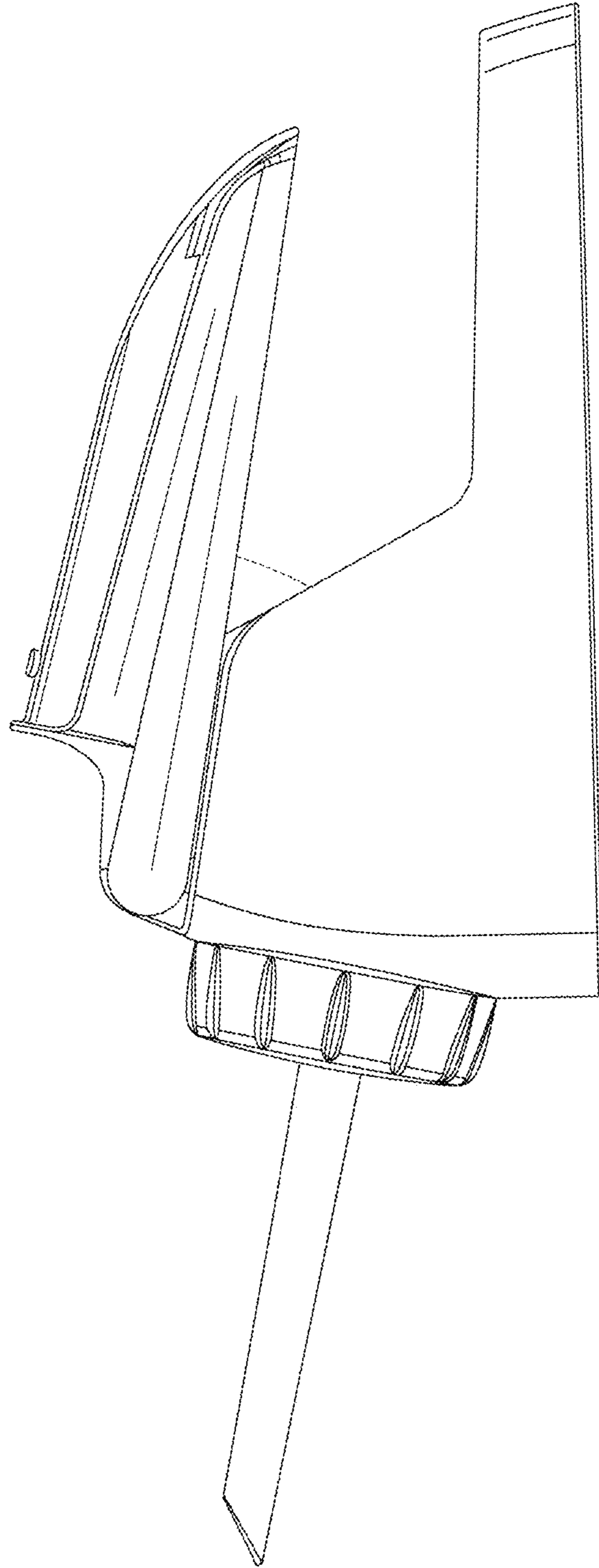


FIG. 4



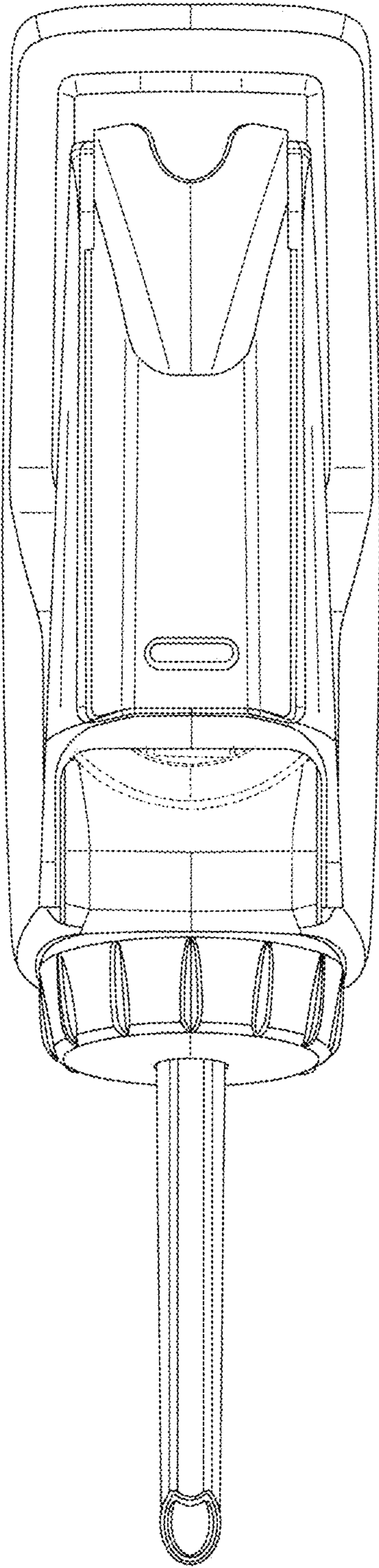


FIG. 5

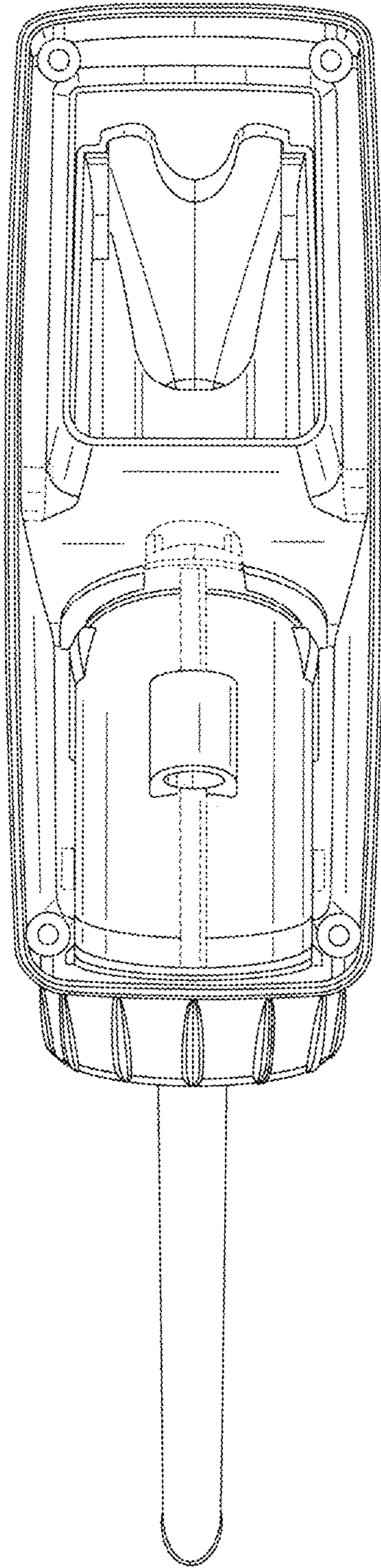


FIG. 6

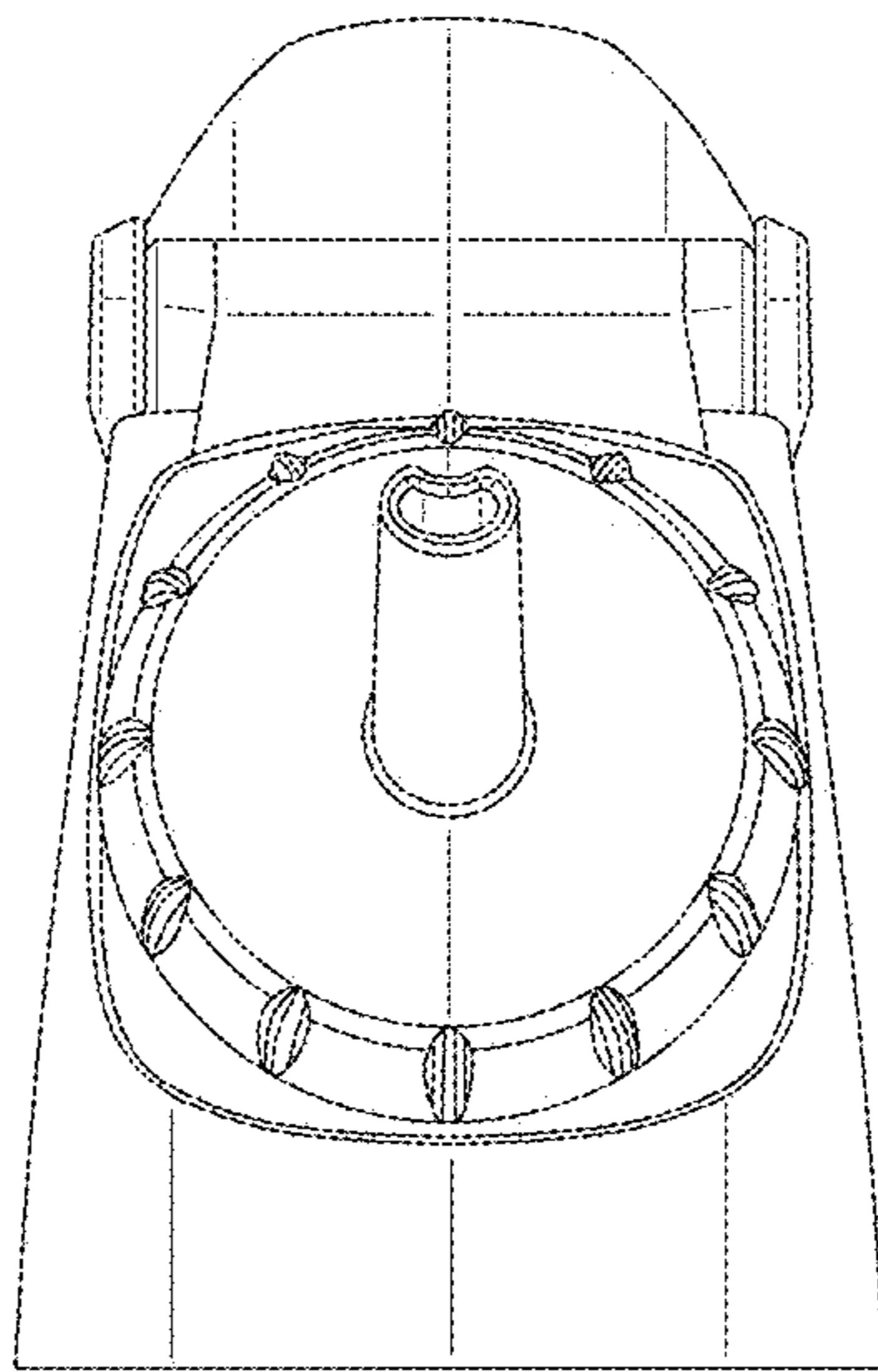


FIG. 7



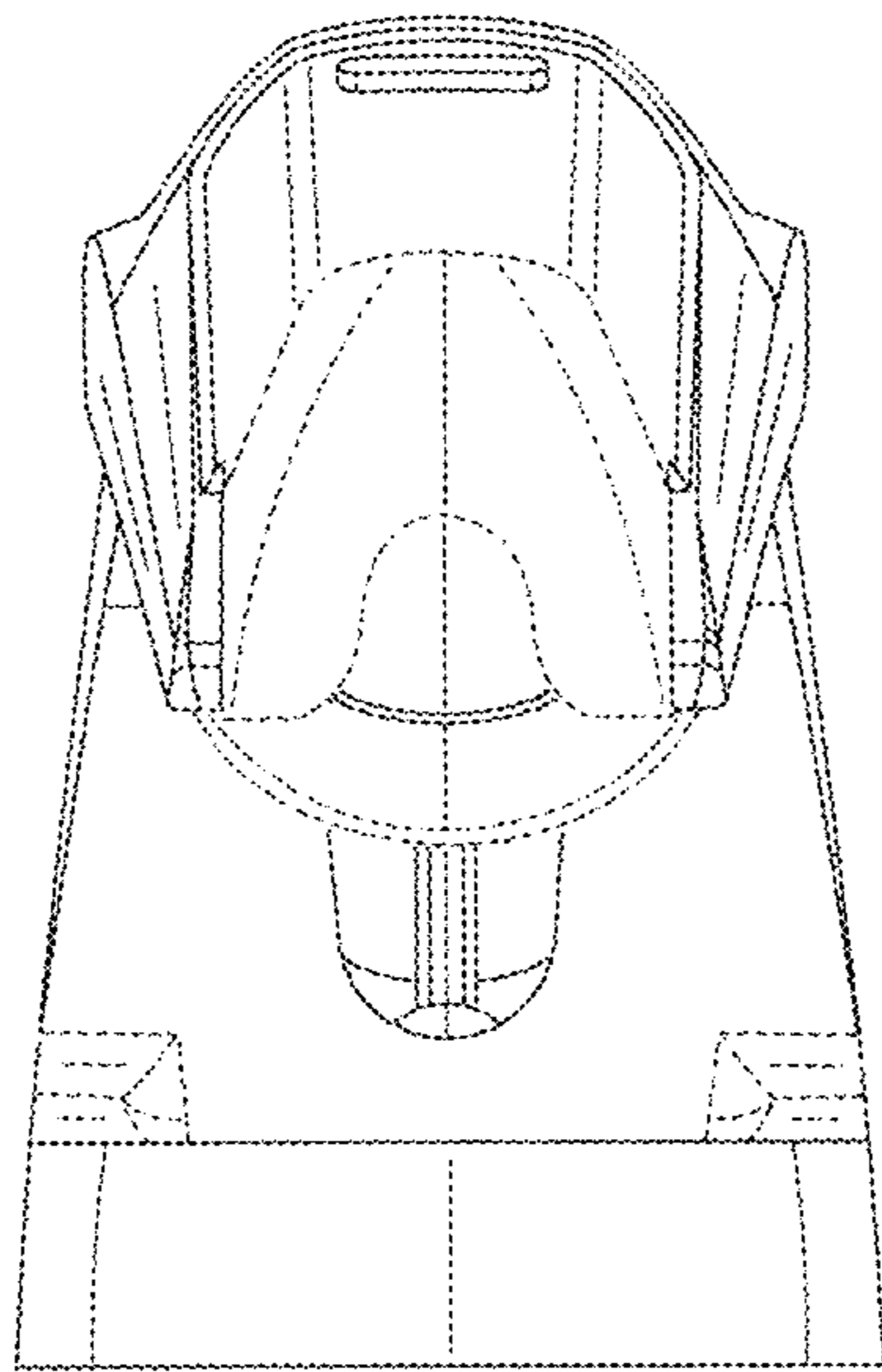


FIG. 8