



US00D930819S

(12) **United States Design Patent**  
**Guo et al.**

(10) **Patent No.:** **US D930,819 S**  
(45) **Date of Patent:** **\*\* Sep. 14, 2021**

(54) **MANIFOLD ADAPTOR FOR MULTI-BARREL SYRINGE APPLICATOR**

FOREIGN PATENT DOCUMENTS

(71) Applicant: **Ethicon, Inc.**, Somerville, NJ (US)

EP 2158848 A1 3/2010  
WO 33/039375 A2 5/2003  
WO 2017086807 A1 5/2017

(72) Inventors: **Jianxin Guo**, Livingston, NJ (US);  
**Jared Schneider**, Union, NJ (US);  
**Simon Cohn**, Lebanon, NJ (US)

OTHER PUBLICATIONS

(73) Assignee: **Ethicon, Inc.**, Somerville, NJ (US)

Notice of Allowance issued in U.S. Appl. No. 29/688,316 dated Oct. 4, 2019, 14 pages.

(\*\*) Term: **15 Years**

(Continued)

(21) Appl. No.: **29/688,286**

*Primary Examiner* — David G Muller

(22) Filed: **Apr. 19, 2019**

(74) *Attorney, Agent, or Firm* — David R. Crichton

**Related U.S. Application Data**

(63) Continuation of application No. 15/957,241, filed on Apr. 19, 2018.

(57) **CLAIM**

(51) **LOC (13) Cl.** ..... **24-02**

We claim the ornamental design of a manifold adaptor for a multi-barrel syringe applicator, as shown and described.

(52) **U.S. Cl.**

USPC ..... **D24/112**

(58) **Field of Classification Search**

**DESCRIPTION**

USPC ..... D24/127–131, 112–114, 133, 186;  
606/181, 185; 604/264, 523–528, 272,  
604/187, 158, 164.01–164.11, 181, 184,  
604/227; 600/101, 139, 143;  
128/200.24, 207.14, 207.15  
CPC .. A61M 25/065; A61M 5/42; A61M 25/0612;  
A61M 25/00; A61M 39/00; A61M 27/00;  
A61M 25/0043; A61M 25/0067; A61M  
25/0097; A61M 5/19; A61F 2/958; A61B  
17/00491

See application file for complete search history.

FIG. 1 is a front perspective view of a manifold adaptor for a multi-barrel syringe applicator;  
FIG. 2 is a rear perspective view of a manifold adaptor for a multi-barrel syringe applicator;  
FIG. 3 is a front elevational view of a manifold adaptor for a multi-barrel syringe applicator;  
FIG. 4 is a rear elevational view of a manifold adaptor for a multi-barrel syringe applicator;  
FIG. 5 is a left-side elevational view of a manifold adaptor for a multi-barrel syringe applicator, which is identical to the right-side elevational view; and,  
FIG. 6 is a top plan view of a manifold adaptor for a multi-barrel syringe applicator, which is identical to the bottom plan view.

The broken lines showing parts of the drawings is included for the purpose of illustration use and environment and forms no part of the claimed design.

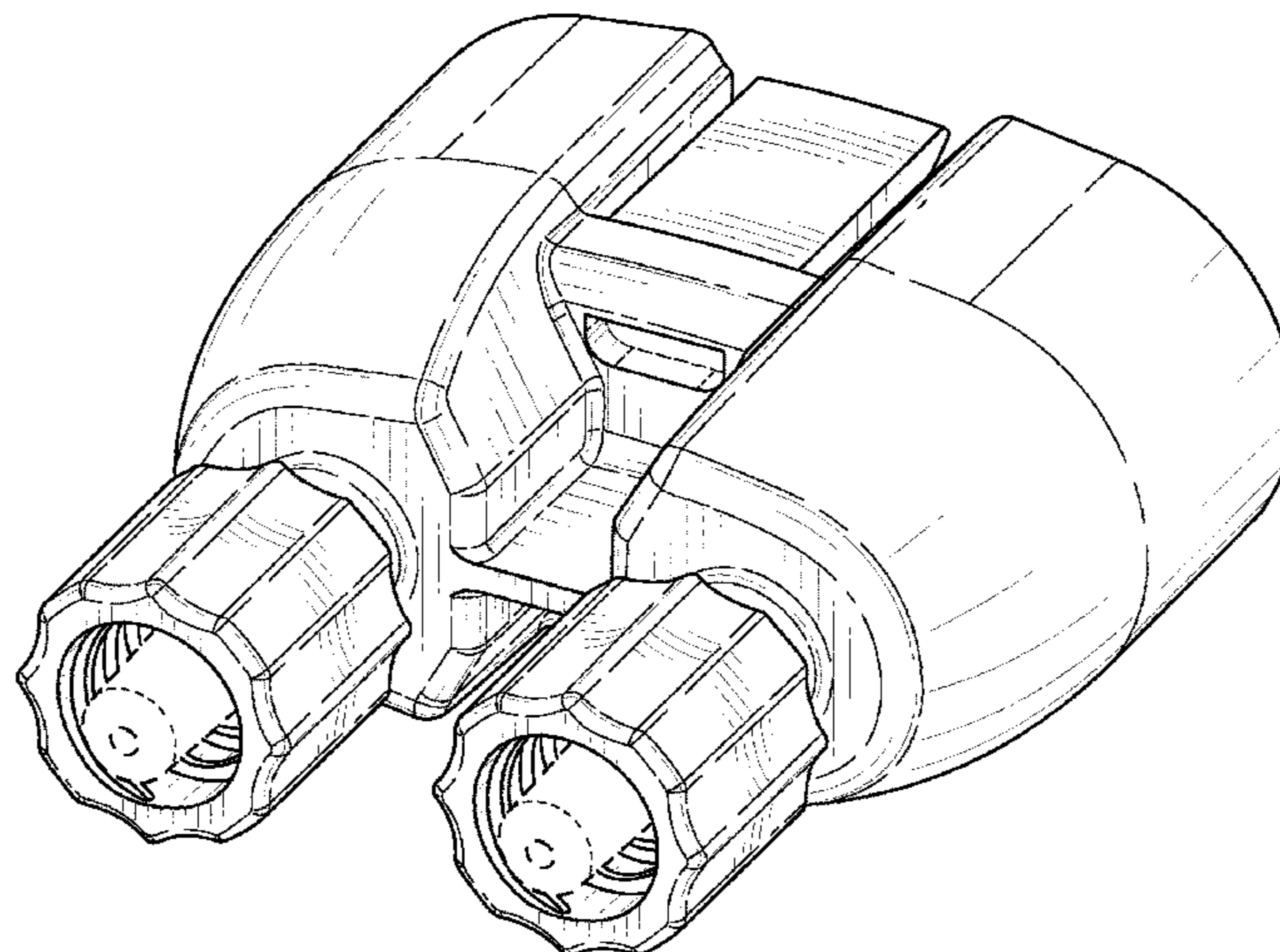
(56) **References Cited**

U.S. PATENT DOCUMENTS

5,354,284 A 10/1994 Haber et al.  
5,582,596 A 12/1996 Fukunaga et al.  
D547,447 S \* 7/2007 Bruce ..... D24/130  
D649,240 S \* 11/2011 Lewis ..... D24/129

(Continued)

**1 Claim, 6 Drawing Sheets**



(56)

**References Cited**

U.S. PATENT DOCUMENTS

D653,329	S	*	1/2012	Lee-Sepsick	.....	D24/112
D660,957	S	*	5/2012	Lee-Sepsick	.....	D24/112
D672,456	S	*	12/2012	Lee-Sepsick	.....	D24/112
D709,612	S	*	7/2014	Lewis	.....	D24/129
D747,473	S	*	1/2016	Martin	.....	D24/129
D748,246	S	*	1/2016	Perthu	.....	D24/114
D749,721	S	*	2/2016	Dziak	.....	D24/129
9,486,190	B2		11/2016	Sherman et al.		
D828,918	S	*	9/2018	Eisele	.....	D24/113
D834,181	S	*	11/2018	Lee-Sepsick	.....	D24/112
D838,366	S	*	1/2019	Lewis	.....	D24/129
10,391,234	B2	*	8/2019	Sams	.....	A61M 39/08
2014/0276567	A1		9/2014	Goodman		

OTHER PUBLICATIONS

Notice of Allowance issued in U.S. Appl. No. 29/688,327 dated Oct. 4, 2019, 14 pages.

Notification of Transmittal of The International Search Report and The Written Opinion of The International Searching Authority, or The Declaration; International Search Report for related International Application No. PCT/B2019/053012, dated Aug. 16, 2020, 5 pages.

\* cited by examiner

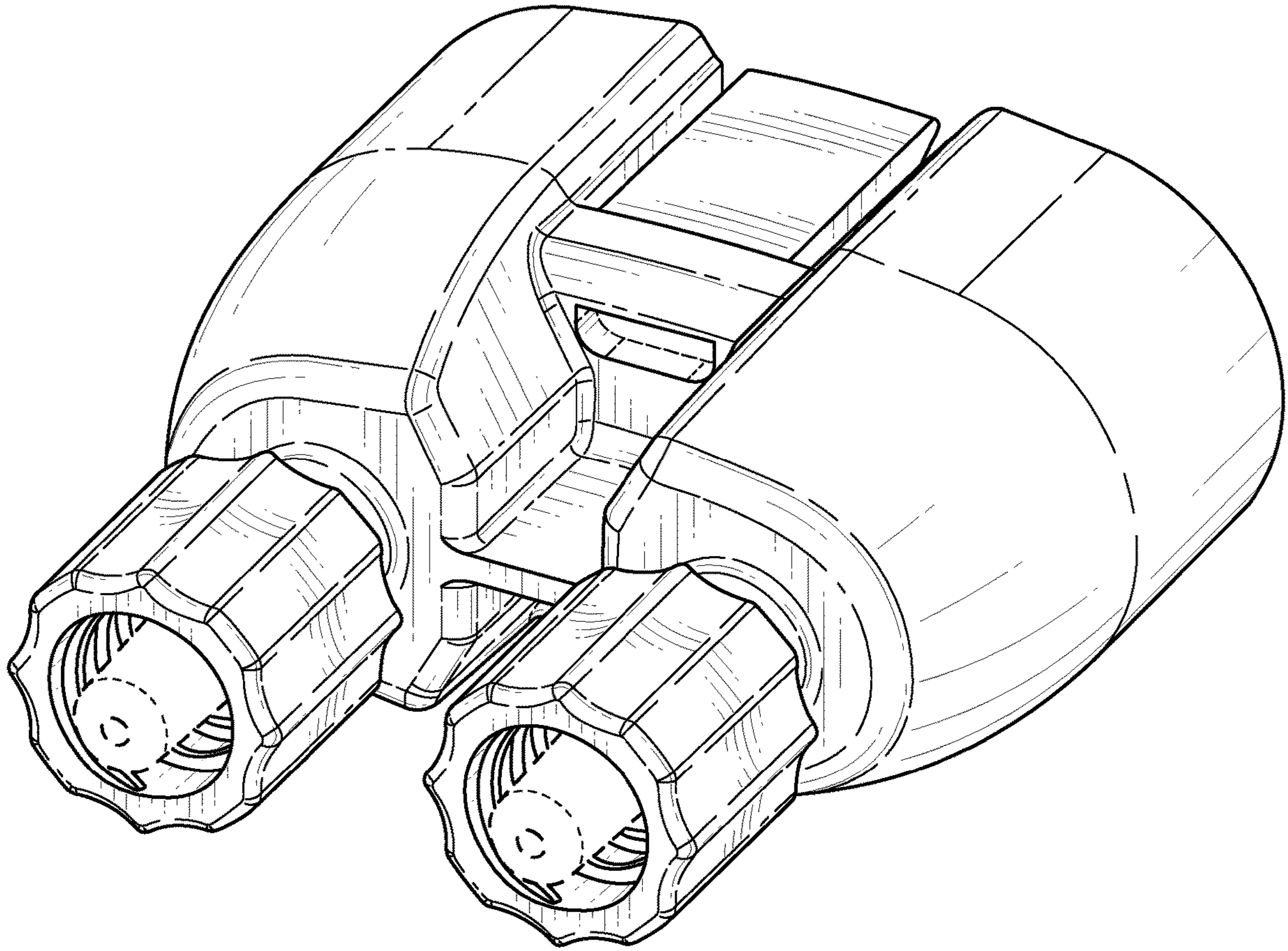
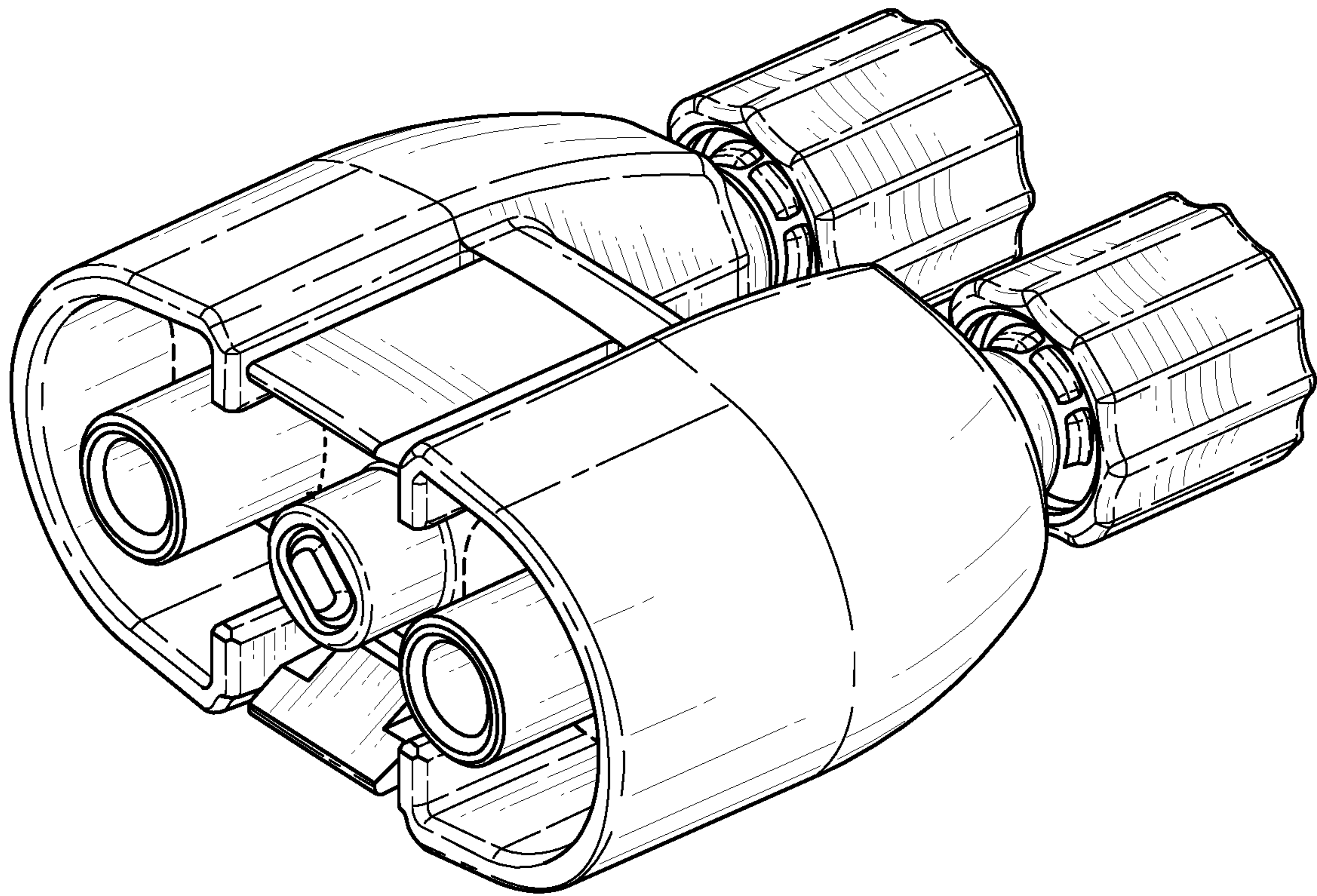
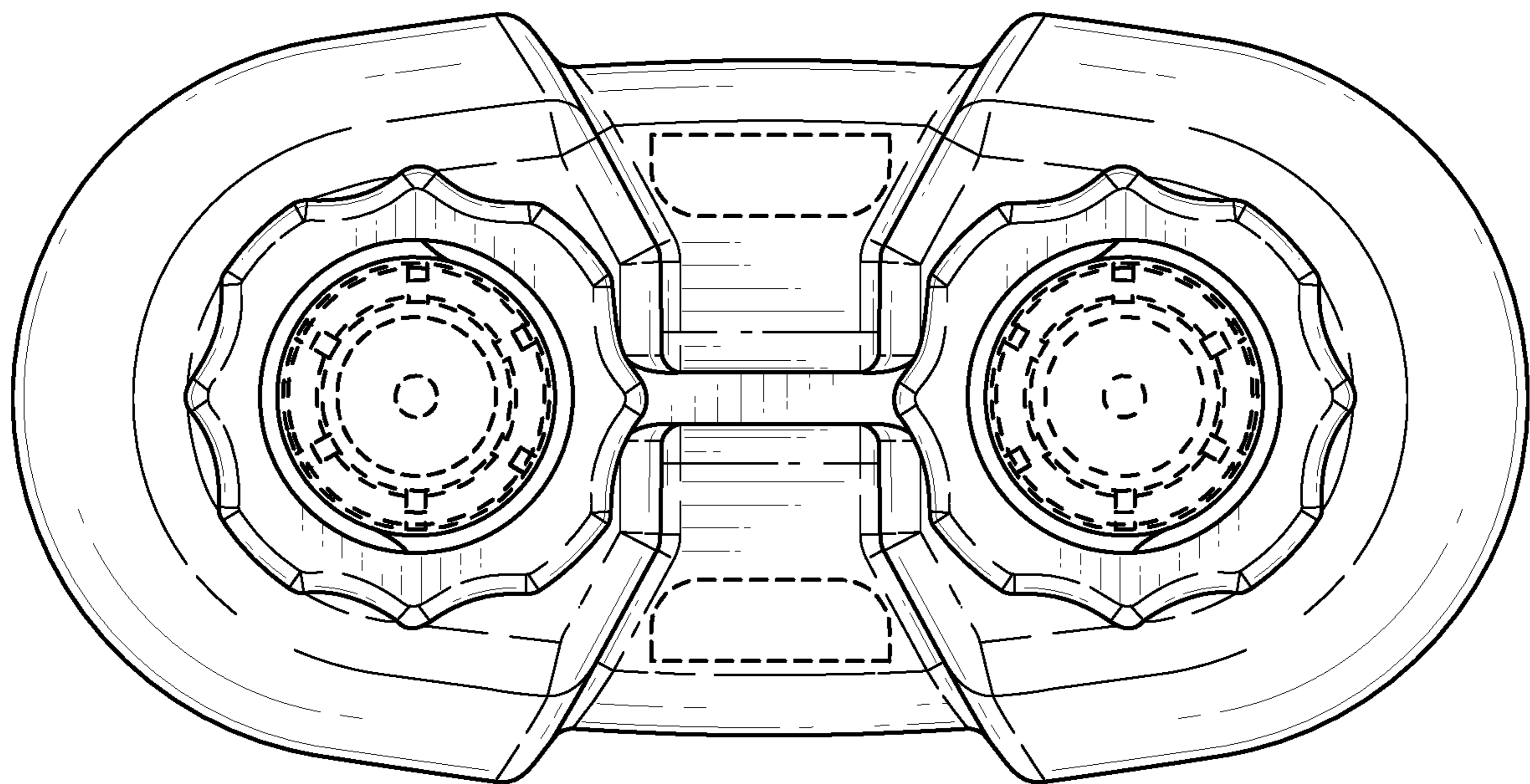


FIG. 1



*FIG. 2*



*FIG. 3*

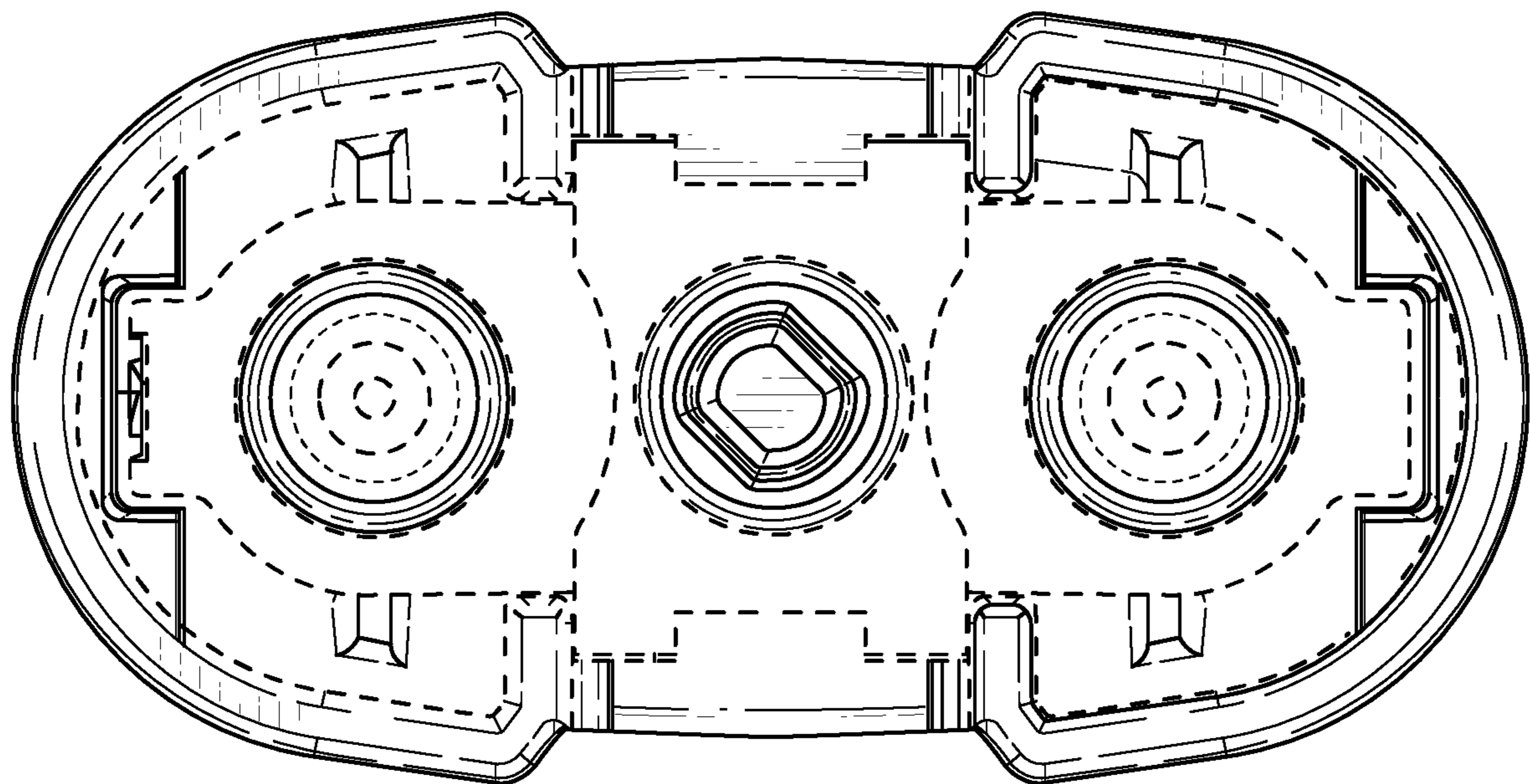
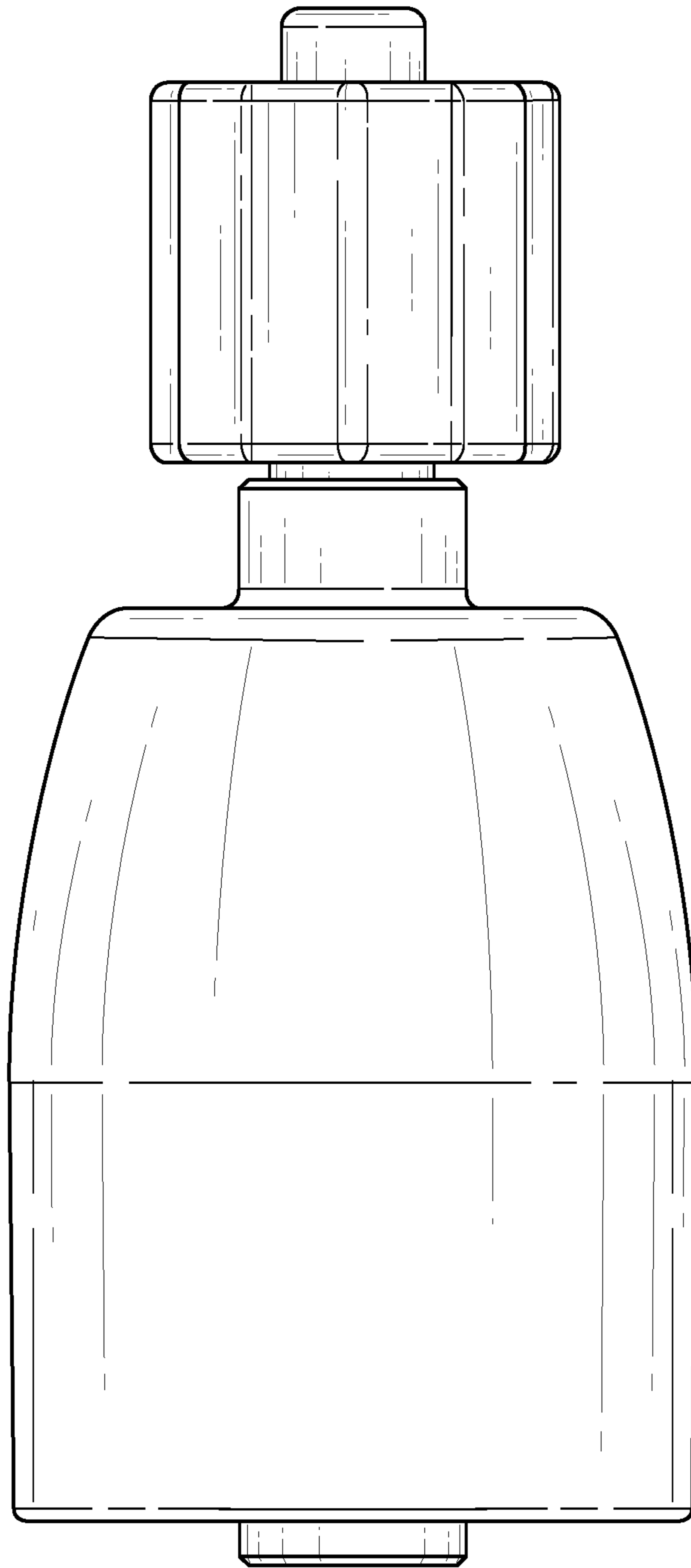


FIG. 4



*FIG. 5*

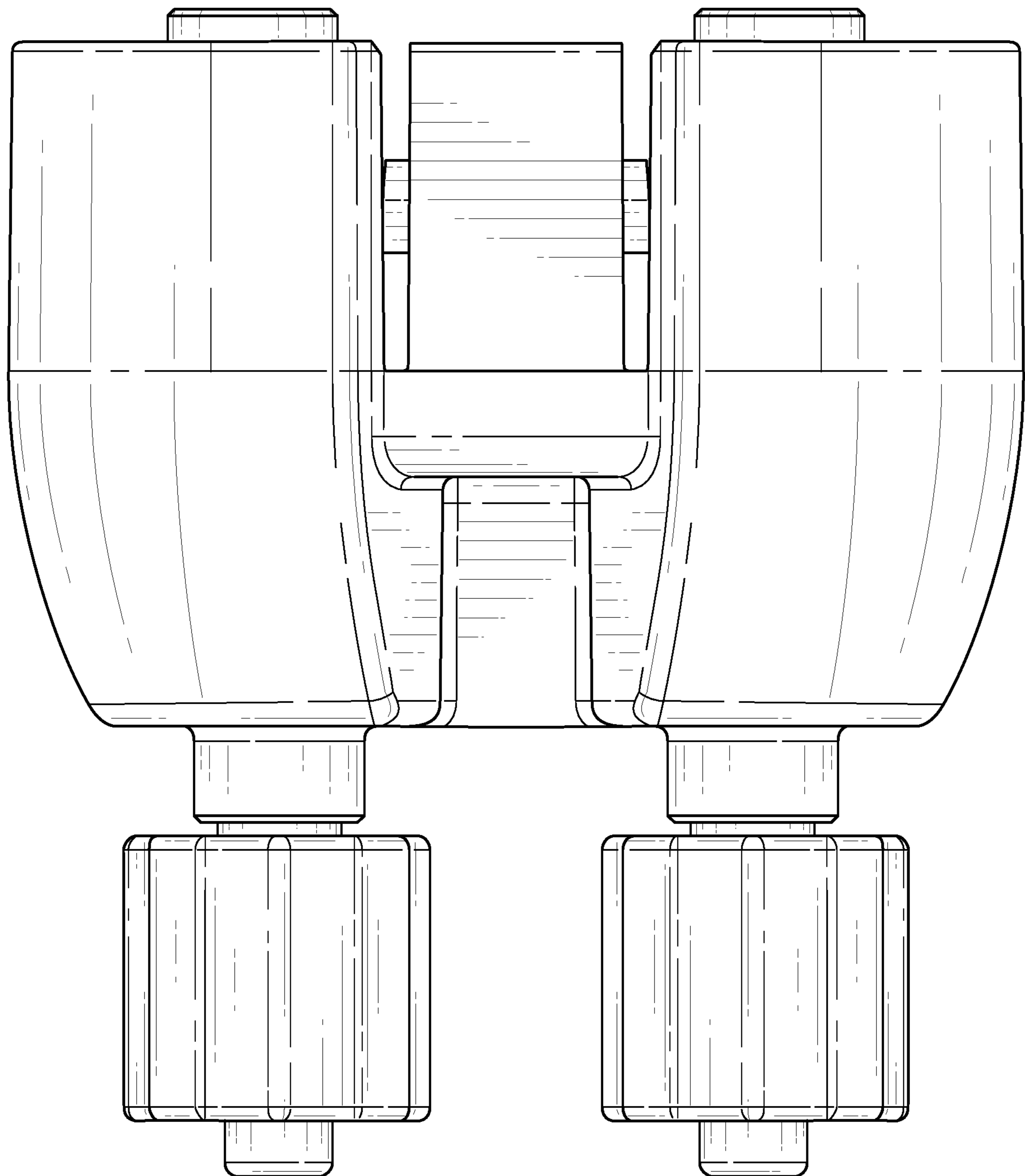


FIG. 6