



US00D930818S

(12) **United States Design Patent**  
**Lin**

(10) **Patent No.:** **US D930,818 S**

(45) **Date of Patent:** **\*\* Sep. 14, 2021**

(54) **DIVING MASK**

(71) Applicant: **Shenzhen Kuyou Sports Goods Co., Ltd.**, Shenzhen (CN)

(72) Inventor: **Zhiyuan Lin**, Shantou (CN)

(\*\*) Term: **15 Years**

(21) Appl. No.: **29/658,715**

(22) Filed: **Aug. 2, 2018**

(30) **Foreign Application Priority Data**

Mar. 22, 2018 (CN) ..... 201830108151.8

(51) **LOC (13) Cl.** ..... **21-02**

(52) **U.S. Cl.**  
USPC ..... **D24/110.2; D24/110.4**

(58) **Field of Classification Search**  
USPC ..... D24/110-110.2, 110.4-110.5, 127, 128;  
D29/110, 122  
CPC ... B63C 2011/128; B63C 11/12; B63C 11/16;  
B63C 11/14; B63C 2011/165; B63C  
11/205; B63C 2011/182; B63C 11/186  
See application file for complete search history.

(56) **References Cited**

**U.S. PATENT DOCUMENTS**

D839,408 S \* 1/2019 Hu ..... D24/110.2  
D852,265 S \* 6/2019 Liao ..... D24/110.2  
D852,266 S \* 6/2019 Liao ..... D24/110.2

D860,436 S \* 9/2019 Chen ..... D24/110.2  
D863,543 S \* 10/2019 Hu ..... D24/110.2  
D869,640 S \* 12/2019 Fan ..... D24/110.2  
D875,923 S \* 2/2020 Cai ..... D24/110.2  
D878,547 S \* 3/2020 Hu ..... D24/110.2  
D882,756 S \* 4/2020 Lin ..... D24/110.2  
2018/0065719 A1\* 3/2018 Liao ..... B63C 11/16  
2020/0102059 A1\* 4/2020 Wung ..... B63C 11/16

**FOREIGN PATENT DOCUMENTS**

EM 005515103-0001 \* 8/2018  
KR 301015183.0000 \* 7/2019

\* cited by examiner

*Primary Examiner* — Lilyana Bekic

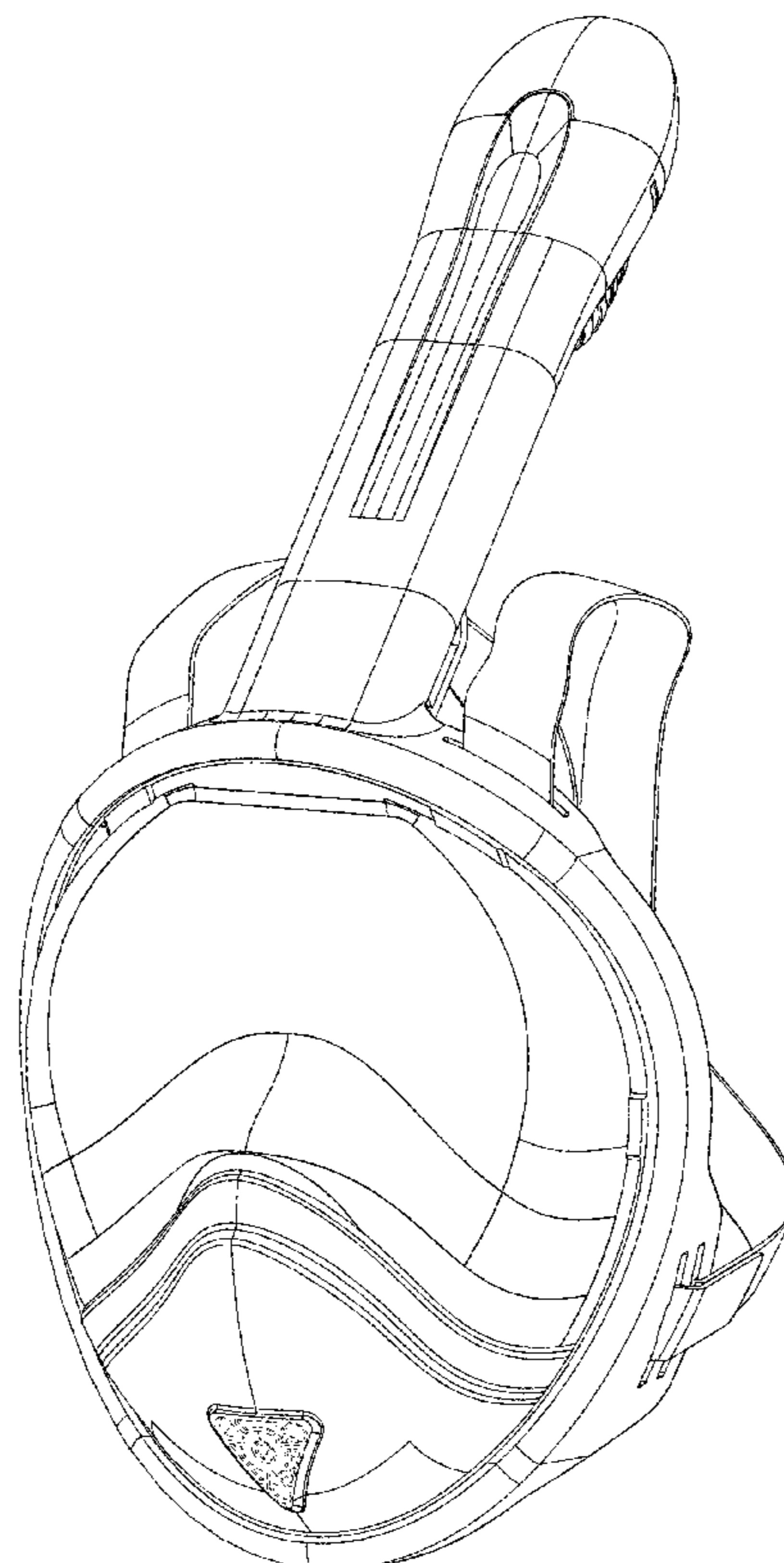
(57) **CLAIM**

The ornamental design for a diving mask, as shown and described.

**DESCRIPTION**

FIG. 1 is a Perspective view of a diving mask showing my new design;  
FIG. 2 is a Front elevational view thereof;  
FIG. 3 is a Rear elevational view thereof;  
FIG. 4 is a Right side view thereof;  
FIG. 5 is a Left side view thereof;  
FIG. 6 is a Top plan view thereof; and,  
FIG. 7 is a Bottom plan view thereof.  
The broke lines illustrate portions of the diving mask that form no part of the claimed design.

**1 Claim, 7 Drawing Sheets**



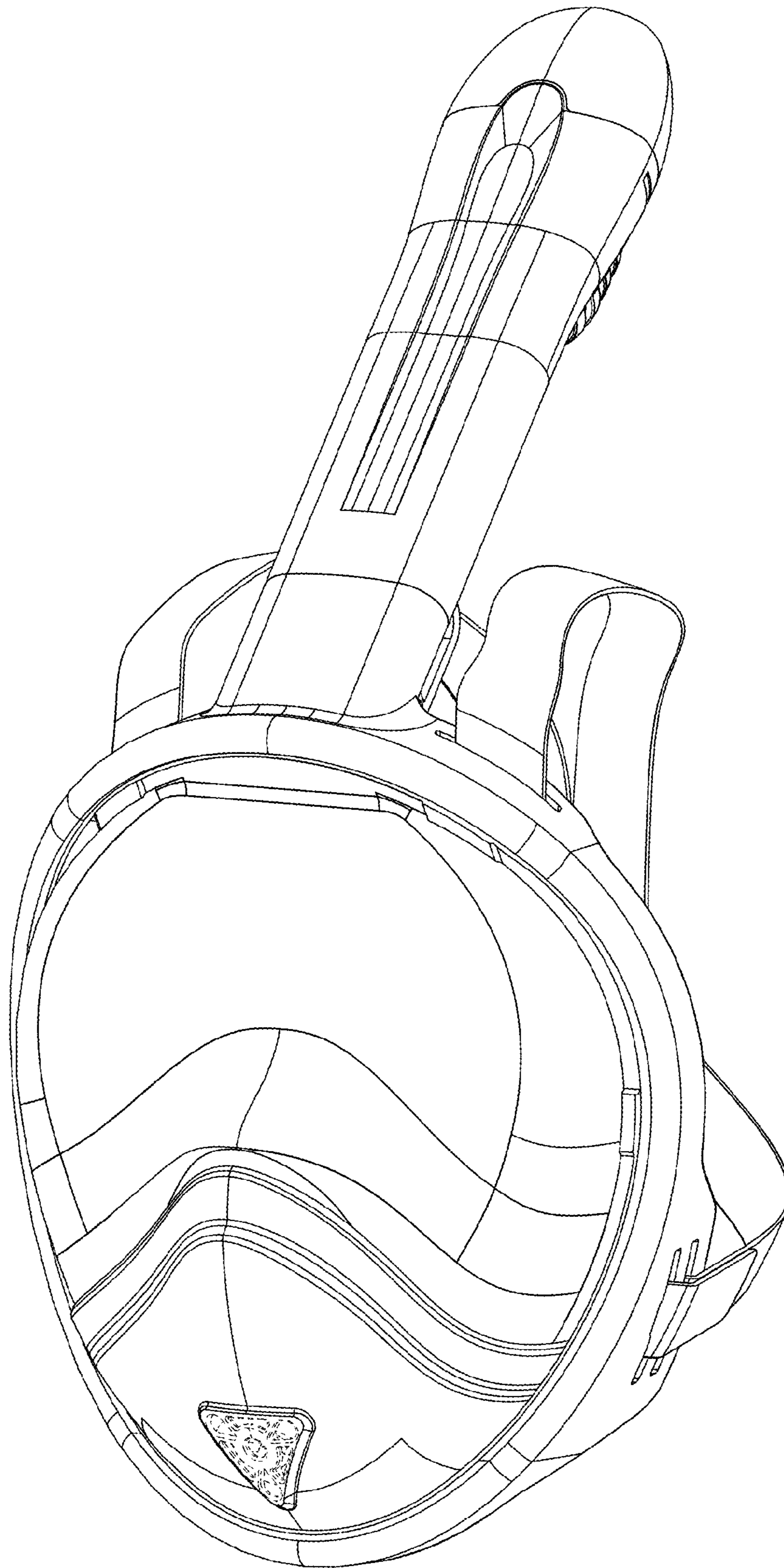


FIG. 1

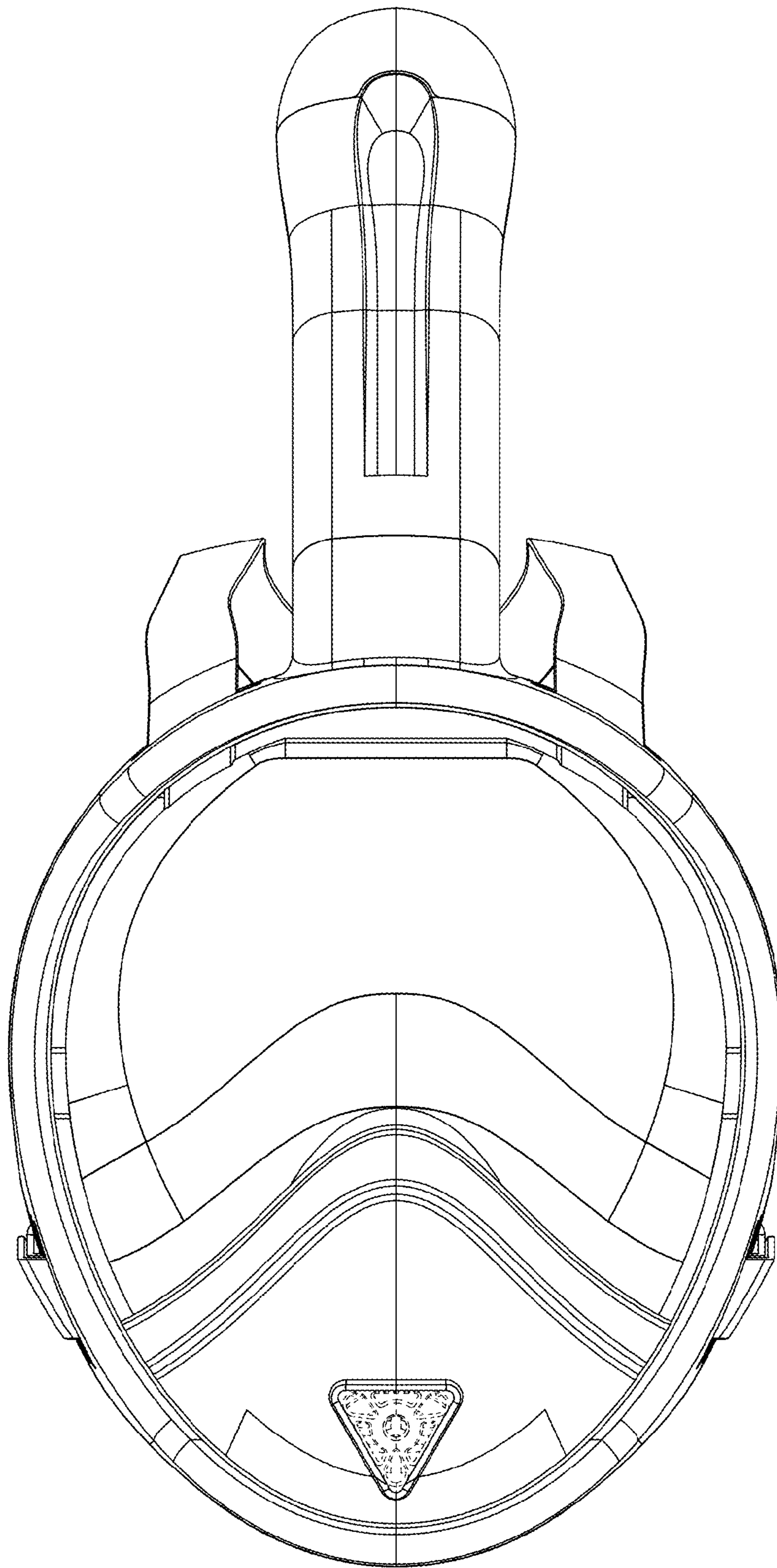


FIG. 2

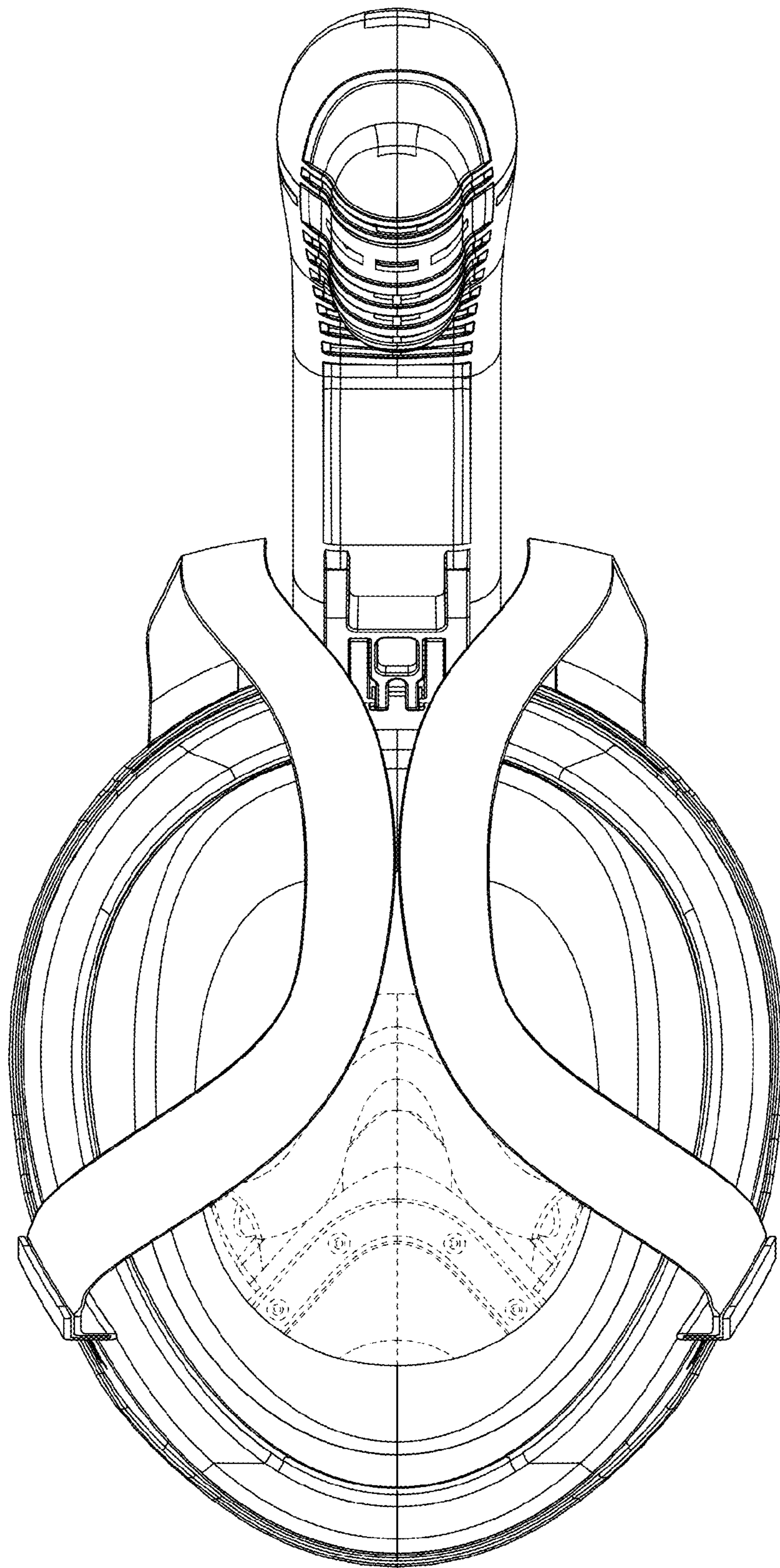


FIG. 3

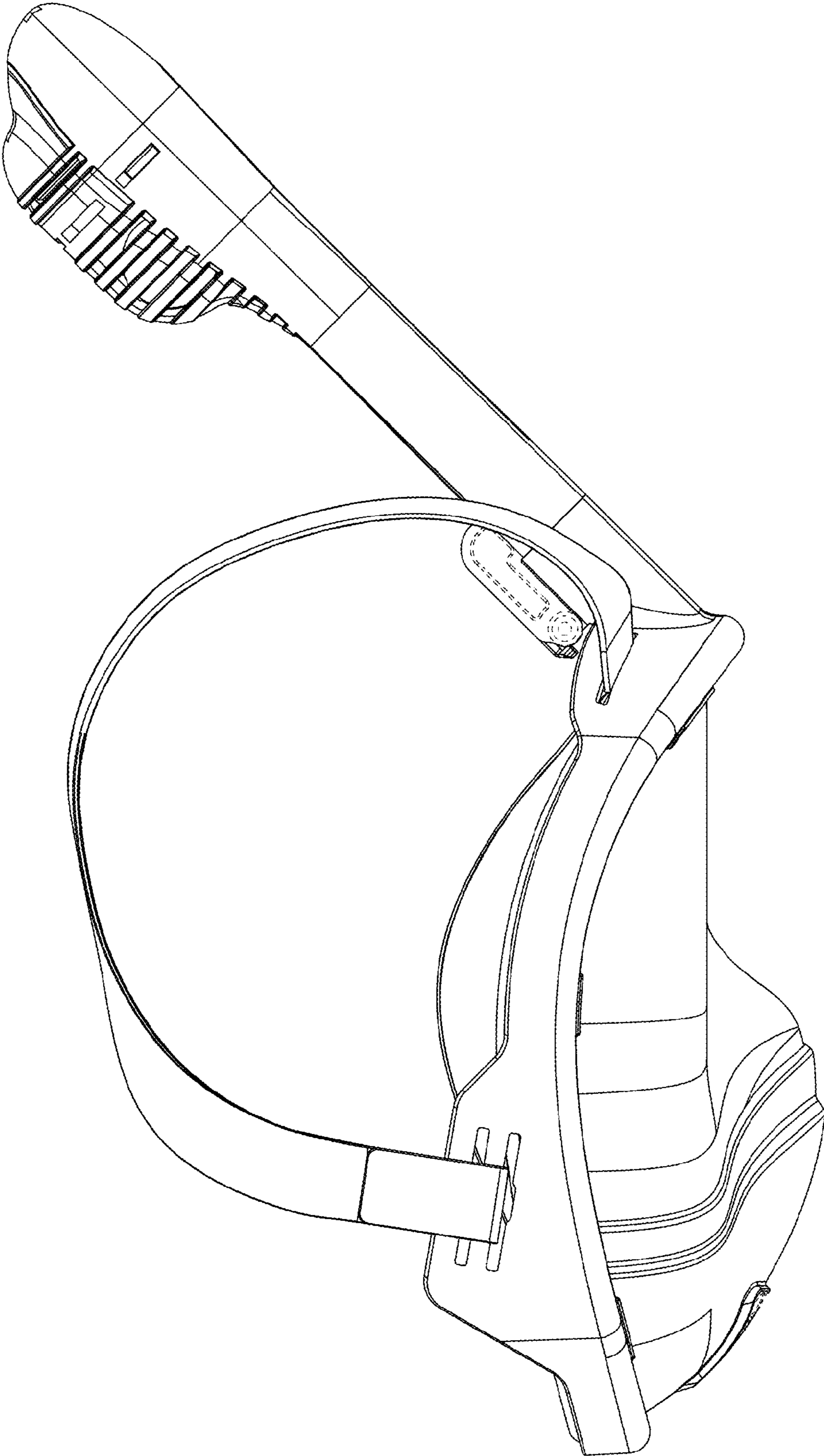


FIG. 4

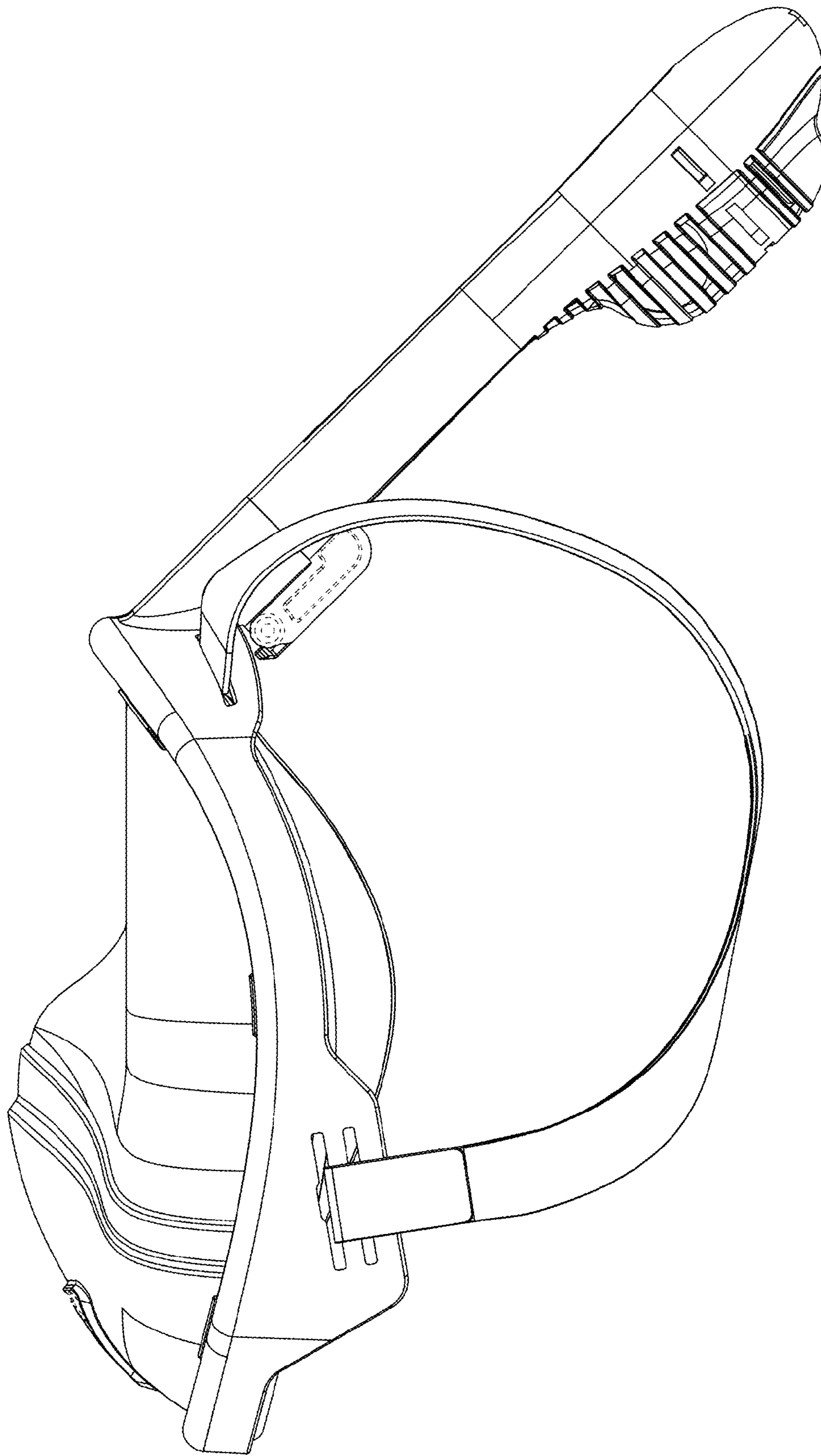


FIG. 5

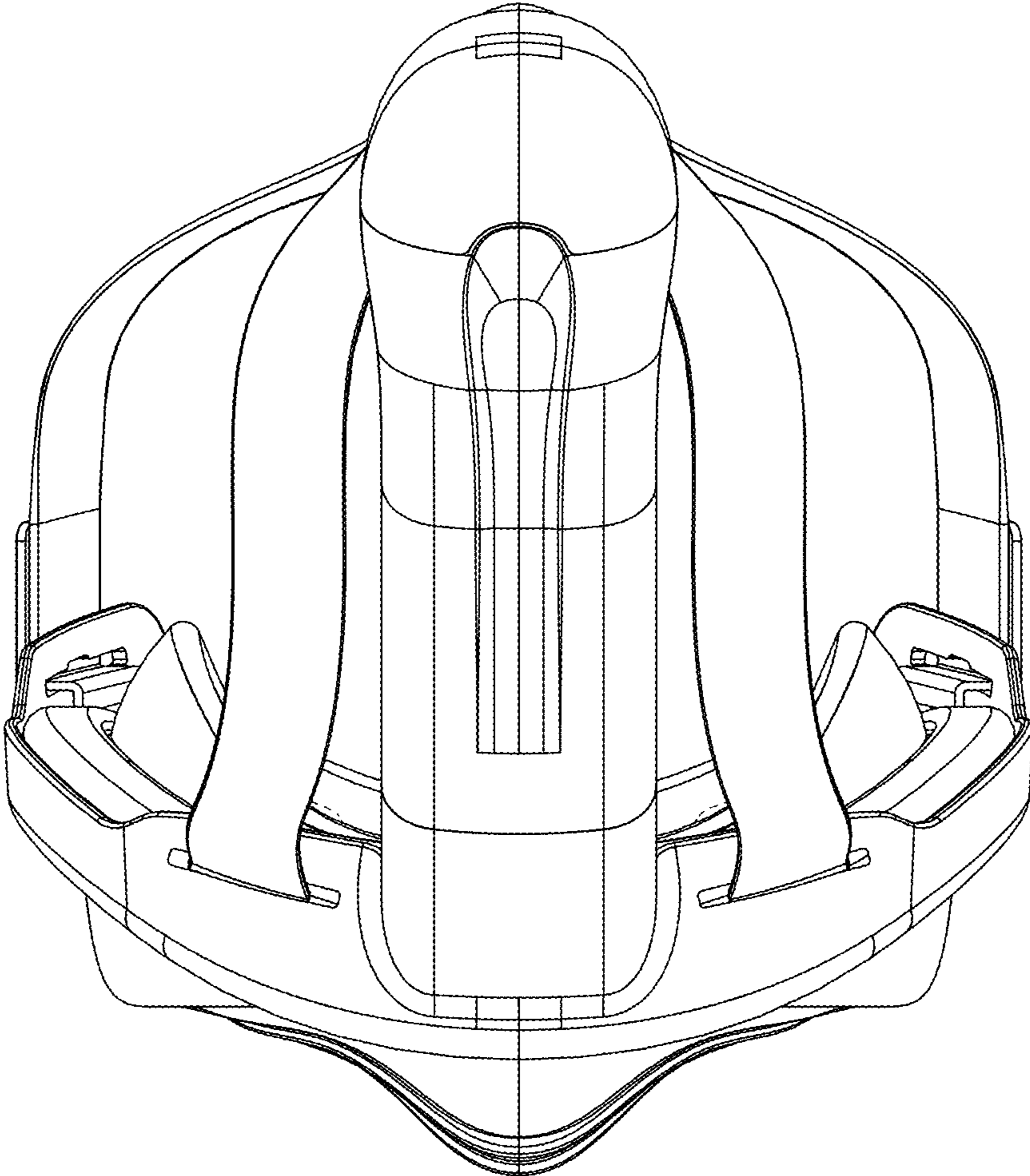


FIG. 6

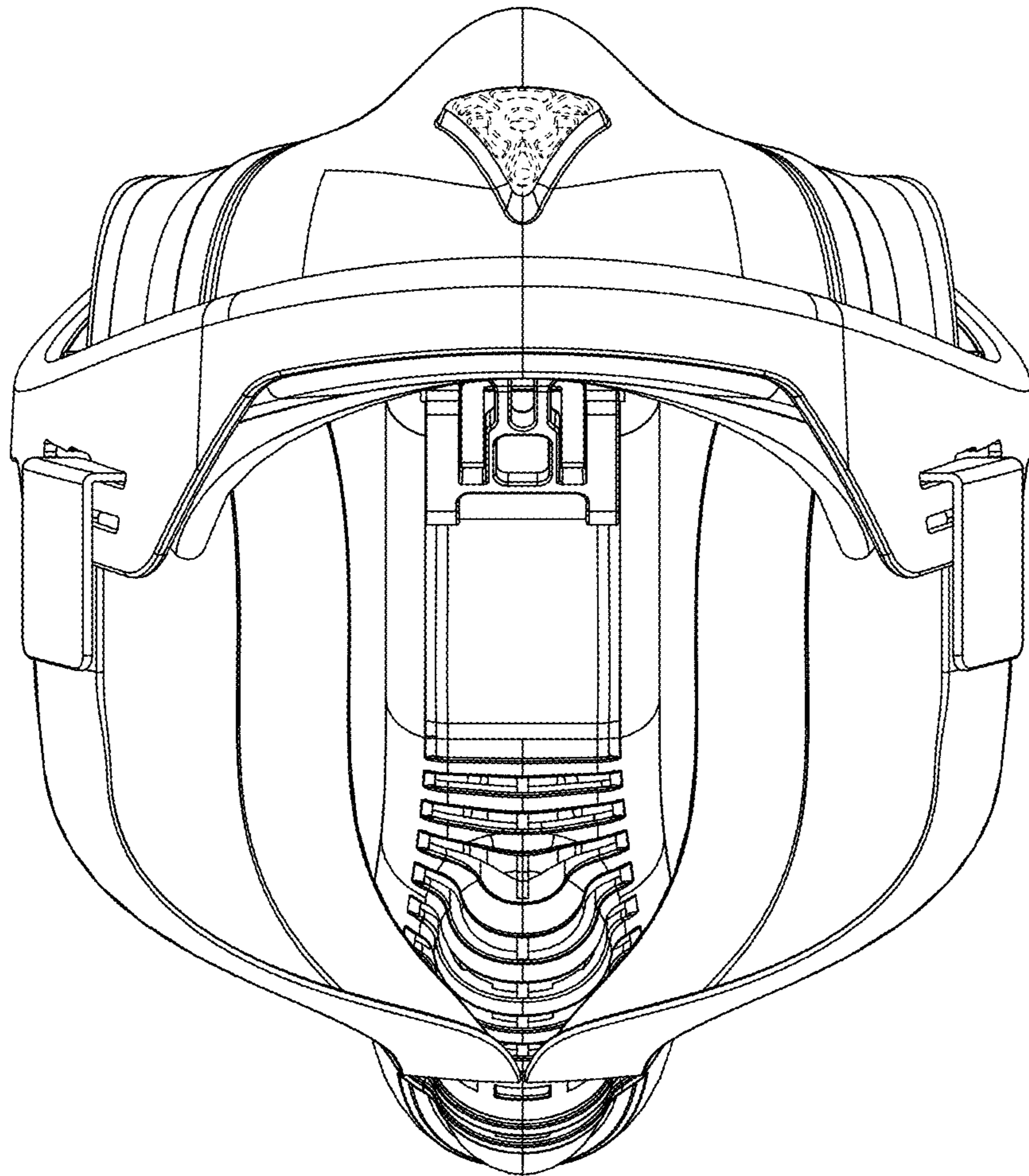


FIG. 7