



US00D930816S

(12) **United States Design Patent** (10) **Patent No.:** **US D930,816 S**
Zhang (45) **Date of Patent:** **** Sep. 14, 2021**

(54) **NIPPLE FOR BREAST PUMP**
(71) Applicant: **THINK GREEN LIMITED**, Orakei
Auckland (NZ)
(72) Inventor: **Shu Ting Zhang**, Jingshan (CN)
(73) Assignee: **THINK GREEN LIMITED**, Auckland
(NZ)
(**) Term: **15 Years**
(21) Appl. No.: **29/750,749**
(22) Filed: **Sep. 16, 2020**

(30) **Foreign Application Priority Data**
May 21, 2020 (CN) 202030237952.1
(51) **LOC (13) Cl.** **24-02**
(52) **U.S. Cl.**
USPC **D24/109**; D24/196
(58) **Field of Classification Search**
USPC D24/107-109, 121, 193-198
CPC A61M 1/062; A61M 1/06; A61M 1/066;
A61M 1/064; A61M 1/067; A61M 1/068;
A61J 9/00; A61J 11/005; A61J 17/105;
A61J 11/045; A61J 11/00
See application file for complete search history.

(56) **References Cited**
U.S. PATENT DOCUMENTS
D334,455 S 3/1993 Dworman et al.
D381,752 S * 7/1997 McCoy D24/193
D404,825 S 1/1999 Reed
D441,870 S * 5/2001 Randolph D24/196
D465,028 S * 10/2002 Renz D24/196
D617,057 S 6/2010 Terwillegger

D639,969 S * 6/2011 Pukall D24/196
D681,216 S * 4/2013 Smith D24/196
D725,282 S * 3/2015 Lo D24/194
D739,540 S 9/2015 Almonte
D743,568 S 11/2015 Almonte
D749,745 S * 2/2016 Prentice D24/197
D823,474 S * 7/2018 Brown D24/196
D878,614 S * 3/2020 Zhang D24/197
2005/0155666 A1 * 7/2005 Wilson B65B 3/22
141/65
2018/0055978 A1 * 3/2018 Ong A61M 1/064
2019/0183740 A1 * 6/2019 Yang B01F 15/00681
2020/0060940 A1 * 2/2020 Conneely A41C 3/04
2021/0220226 A1 * 7/2021 Filter A61J 11/005

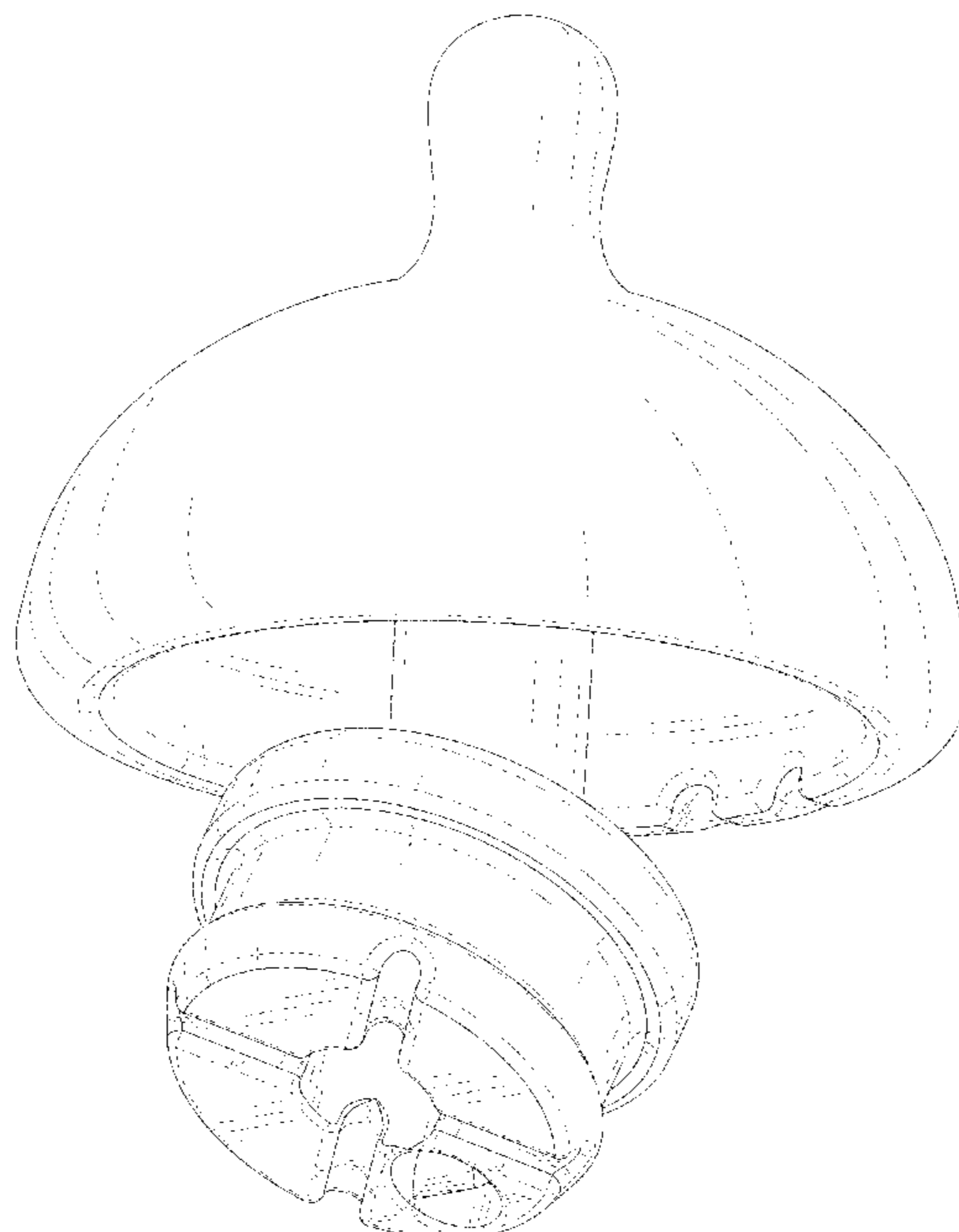
* cited by examiner

Primary Examiner — Lilyana Bekic
(74) *Attorney, Agent, or Firm* — Dragon Sun Law Firm,
PC; Jinggao Li, Esq.

(57) **CLAIM**
The ornamental design for a nipple for breast pump, as
shown and described.

DESCRIPTION
FIG. 1 is a perspective view of a nipple for breast pump
showing my new design;
FIG. 2 is another perspective view thereof;
FIG. 3 is a front view thereof;
FIG. 4 is a rear view thereof;
FIG. 5 is a left view thereof;
FIG. 6 is a right view thereof;
FIG. 7 is a top view thereof; and,
FIG. 8 is a bottom view thereof.
The broken lines shown in the figures depict portions of the
nipple for breast pump that form no part of the claimed
design.

1 Claim, 8 Drawing Sheets



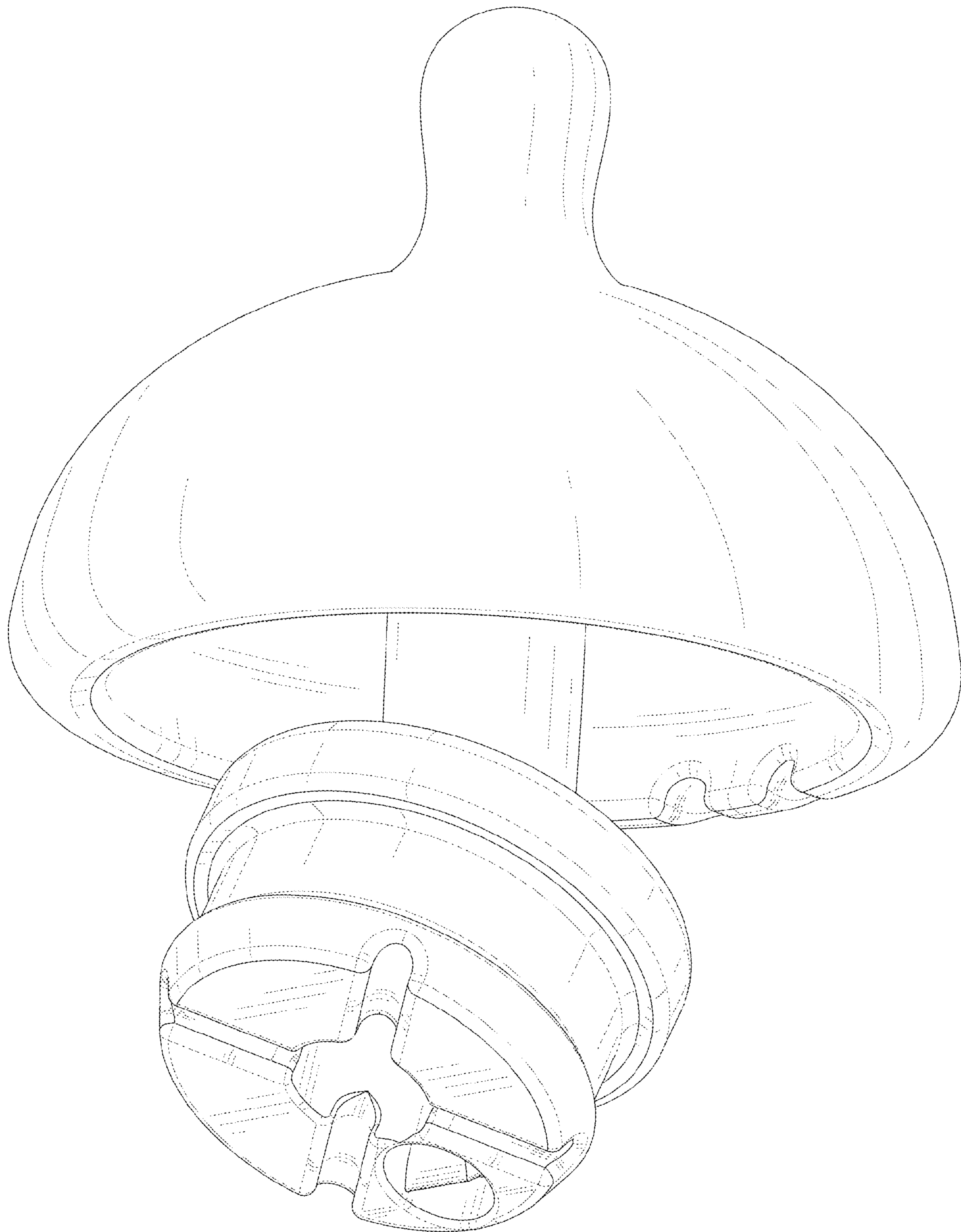


FIG. 1



FIG. 2

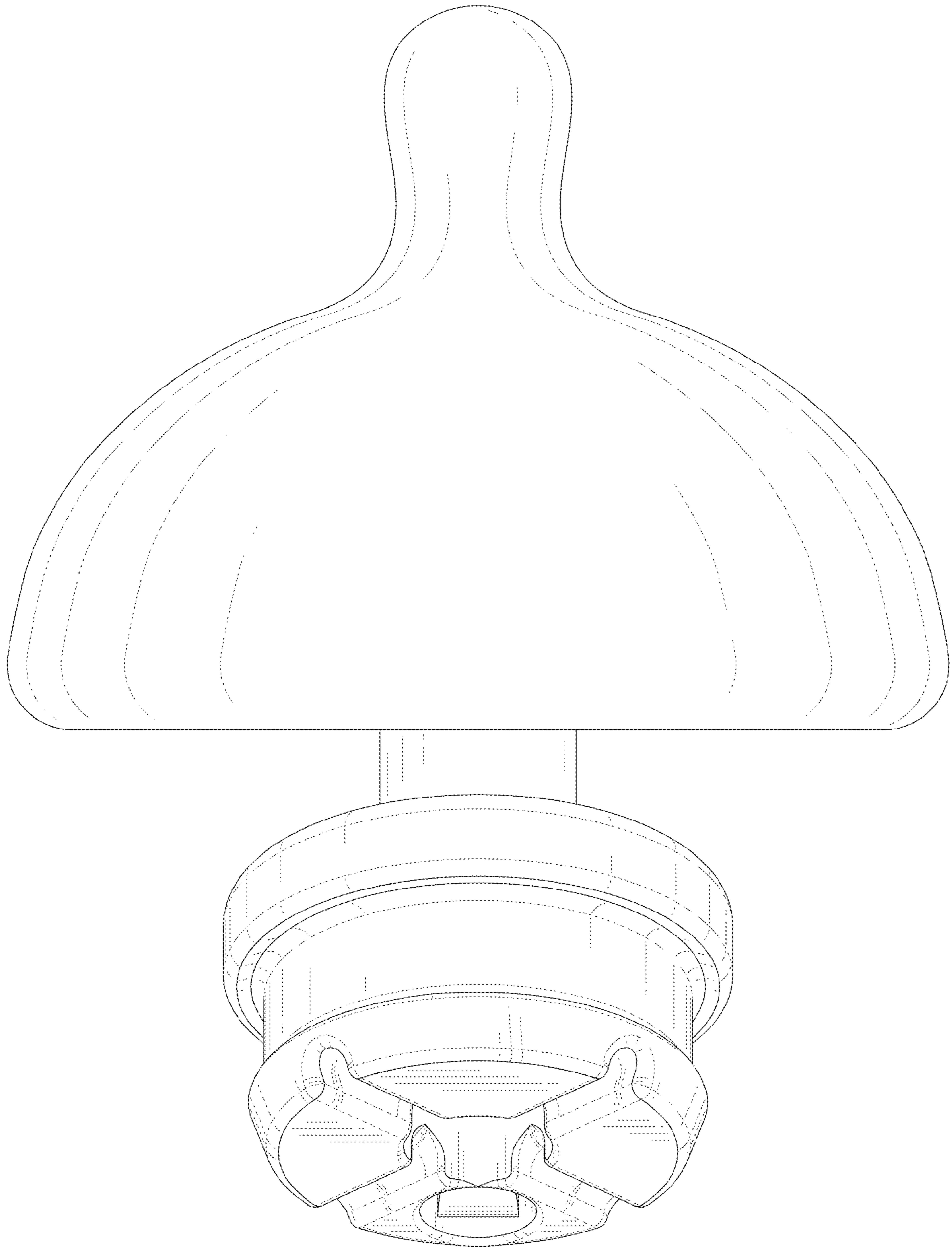


FIG. 3

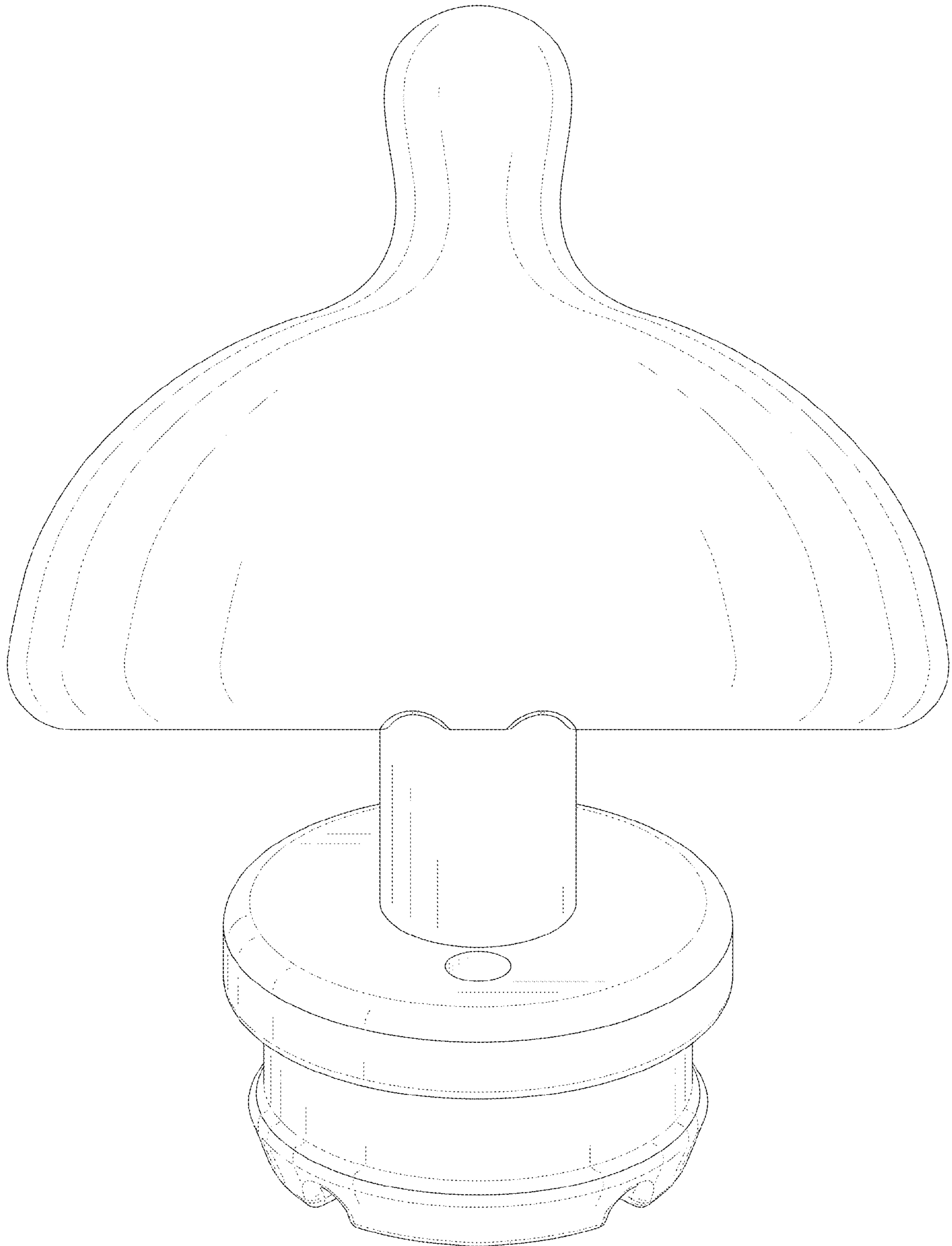


FIG. 4

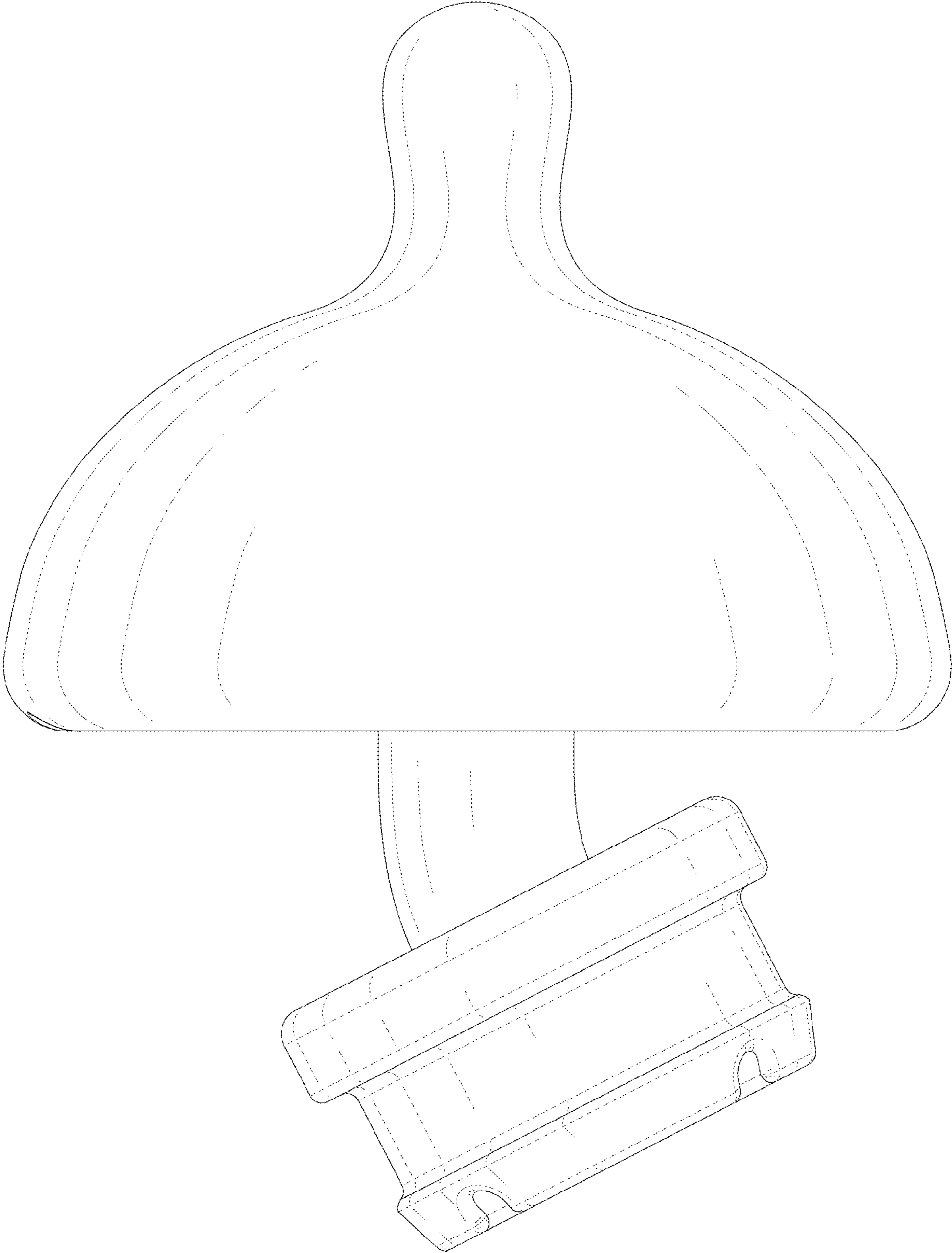


FIG. 5

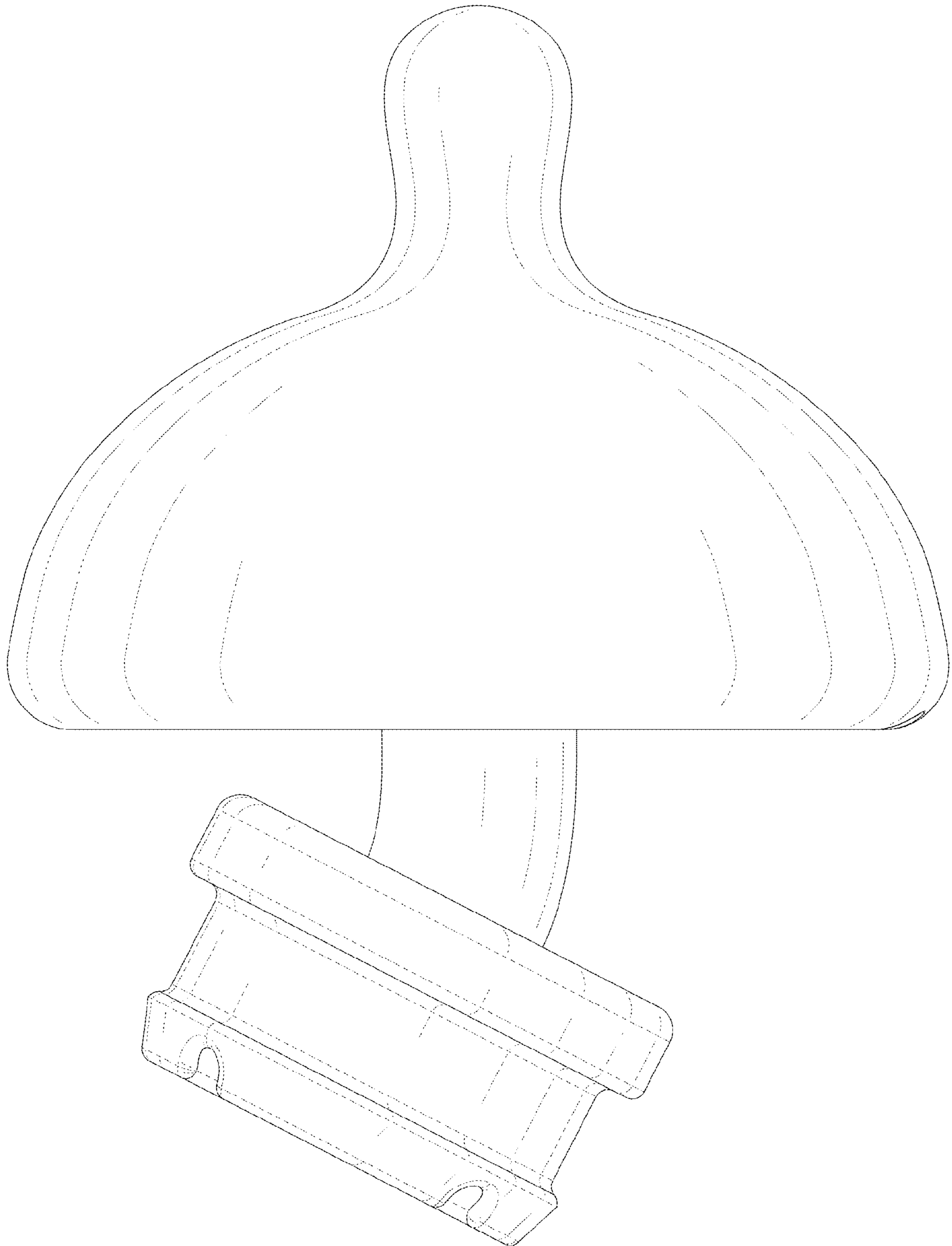


FIG. 6

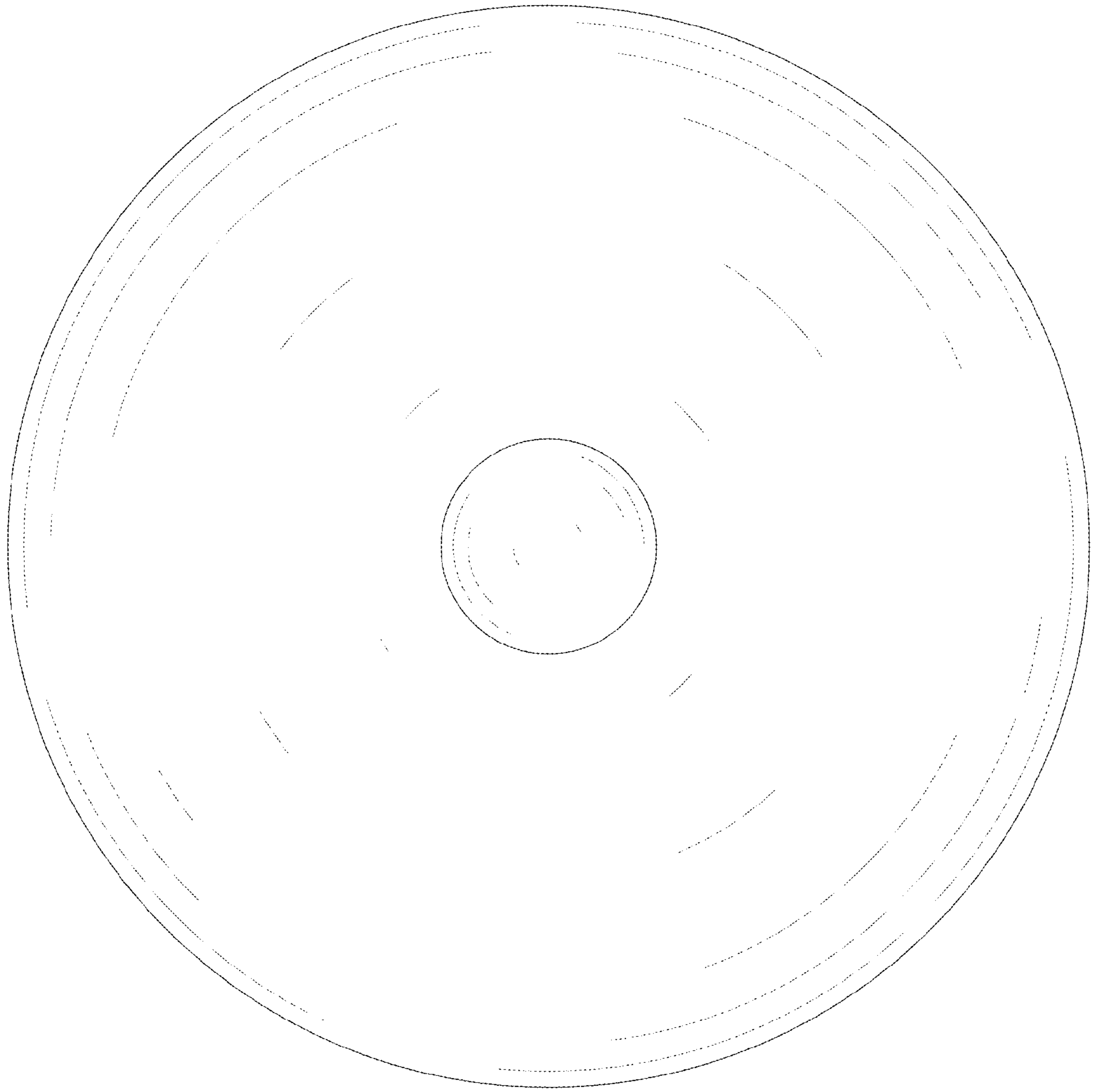


FIG. 7

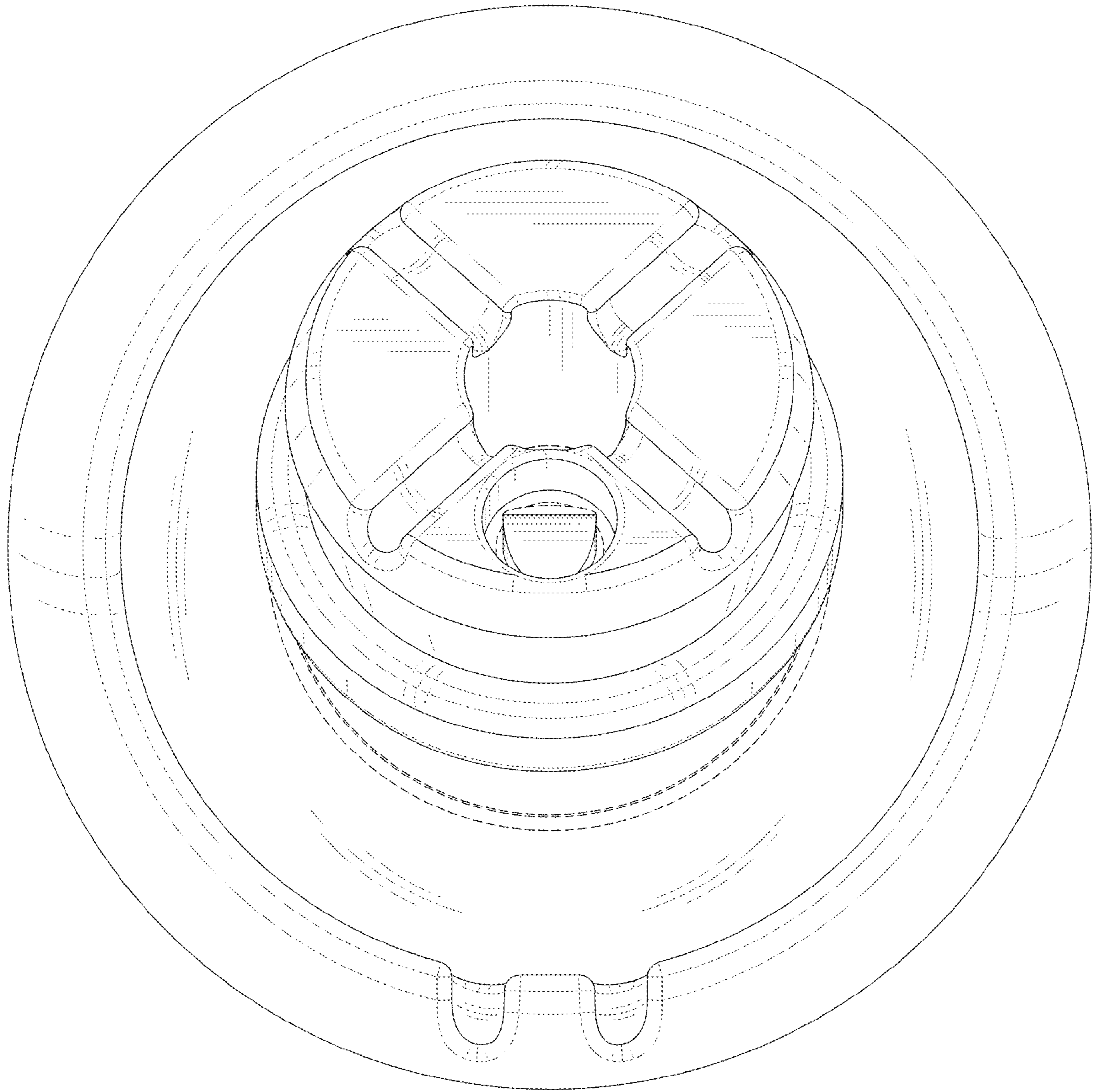


FIG. 8