



US00D930815S

(12) **United States Design Patent** (10) **Patent No.:** **US D930,815 S**
Niemiec et al. (45) **Date of Patent:** **** *Sep. 14, 2021**

(54) **FAN BLADE**

(56) **References Cited**

(71) Applicants: **Darrin Walter Niemiec**, Elgin, IL (US); **James C. Muth**, Oconomowoc, WI (US); **Patrick Todd Woodzick**, Waukesha, WI (US); **William J. Carlson**, Long Grove, IL (US)

U.S. PATENT DOCUMENTS

6,244,821	B1 *	6/2001	Boyd	F04D 25/088 416/210 R
D478,655	S *	8/2003	Gajewski	D23/413
D489,447	S *	5/2004	Young	D23/413
D503,472	S *	3/2005	Tai	D23/413
D503,473	S *	3/2005	Tai	D23/413
D503,474	S *	3/2005	Tai	D23/413
D503,475	S *	3/2005	Tai	D23/413
D503,795	S *	4/2005	Tai	D23/413
D505,724	S *	5/2005	Tai	D23/413
D745,658	S *	12/2015	Wang	D23/413
D750,221	S *	2/2016	Schulzman	D23/413
9,638,209	B1 *	5/2017	Cogley	F04D 29/388
D796,659	S *	9/2017	Schulzman	D23/377
D852,943	S *	7/2019	Niemiec	D23/413

(72) Inventors: **Darrin Walter Niemiec**, Elgin, IL (US); **James C. Muth**, Oconomowoc, WI (US); **Patrick Todd Woodzick**, Waukesha, WI (US); **William J. Carlson**, Long Grove, IL (US)

(73) Assignee: **WLC Enterprises, Inc.**, Schaumburg, IL (US)

(*) Notice: This patent is subject to a terminal disclaimer.

(**) Term: **15 Years**

(21) Appl. No.: **29/723,060**

(22) Filed: **Feb. 4, 2020**

Related U.S. Application Data

(63) Continuation of application No. 29/691,146, filed on May 14, 2019, now Pat. No. Des. 874,639, which is a continuation of application No. 29/556,421, filed on Mar. 1, 2016, now Pat. No. Des. 852,944, which is a continuation of application No. 29/534,730, filed on Jul. 30, 2015, now Pat. No. Des. 853,553.

(51) **LOC (13) Cl.** **23-04**

(52) **U.S. Cl.**
USPC **D23/413**

(58) **Field of Classification Search**
USPC D23/370, 377, 379, 385, 411, 413;
D26/59
CPC F04D 25/08; F04D 29/388; F04D 29/34;
F04D 25/088
See application file for complete search history.

(Continued)

Primary Examiner — Janice Hallmark

(74) *Attorney, Agent, or Firm* — Vitale, Vickrey, Niro & Gasey LL

(57) **CLAIM**

The ornamental design for a fan blade, as shown and described.

DESCRIPTION

FIG. 1 is a perspective view of a fan blade showing our new design;

FIG. 2 is a top view thereof.

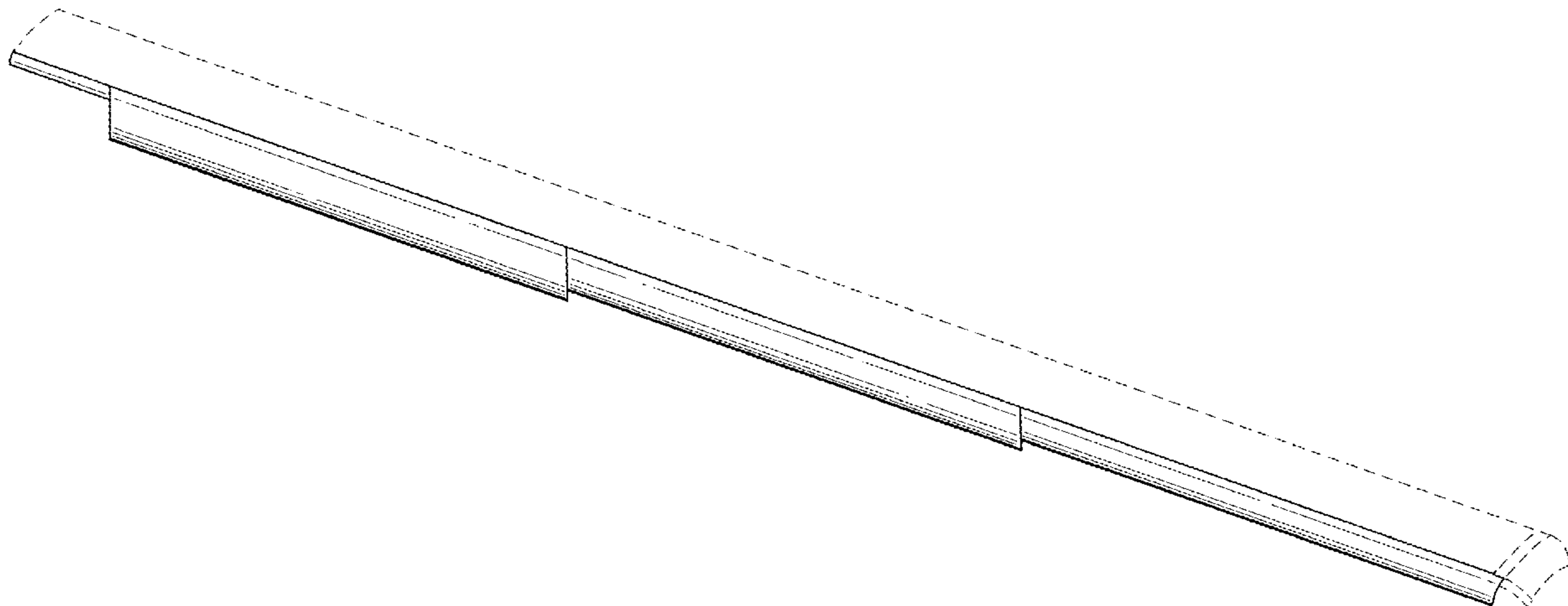
FIG. 3 is a side view thereof;

FIG. 4 is another side view thereof; and,

FIG. 5 is another perspective view thereof.

The broken lines immediately adjacent the solid line portions of the drawing figures represent boundaries and form no part of the claimed design, while all other broken lines depict portions of the fan blade that form no part of the claimed design.

1 Claim, 3 Drawing Sheets



(56)

References Cited

U.S. PATENT DOCUMENTS

D852,944 S * 7/2019 Niemiec D23/413
D853,553 S * 7/2019 Niemiec D23/413
D874,639 S * 2/2020 Niemiec D23/413
2013/0129519 A1* 5/2013 Nielsen F03D 1/0633
416/228
2013/0336790 A1* 12/2013 Wortman F01D 5/141
416/170 R
2015/0147188 A1* 5/2015 Danielsson F04D 25/0613
417/14
2017/0030361 A1* 2/2017 Niemiec F04D 25/088
2017/0030369 A1* 2/2017 Niemiec F04D 29/384
2017/0114789 A1* 4/2017 Niemiec F04D 25/088

* cited by examiner

Fig. 1

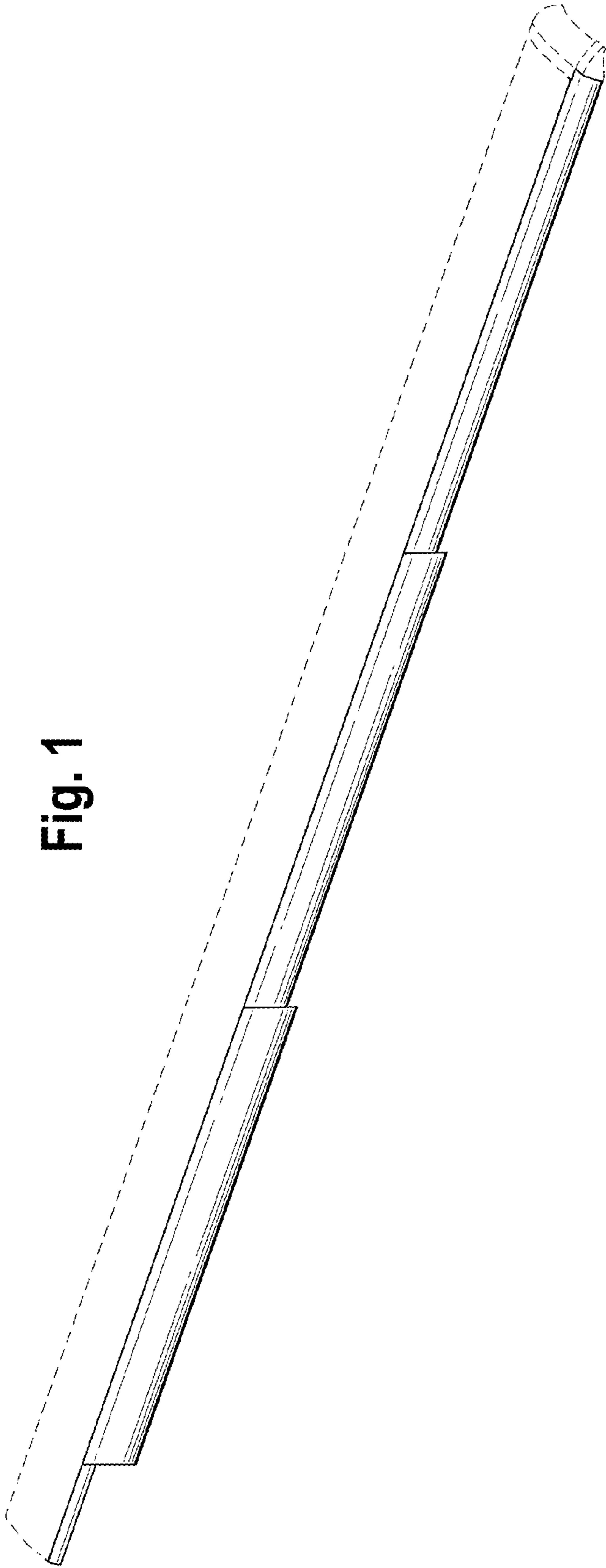


Fig. 2

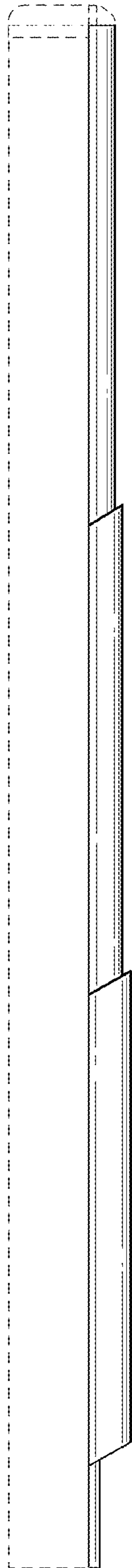


Fig. 3

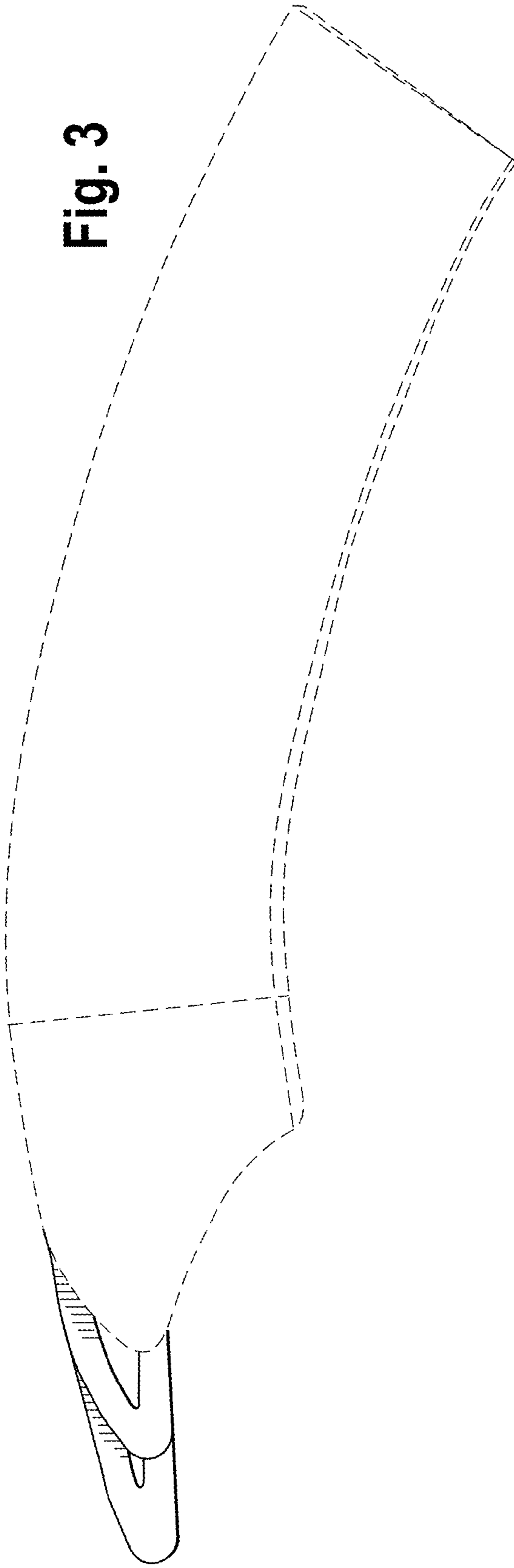
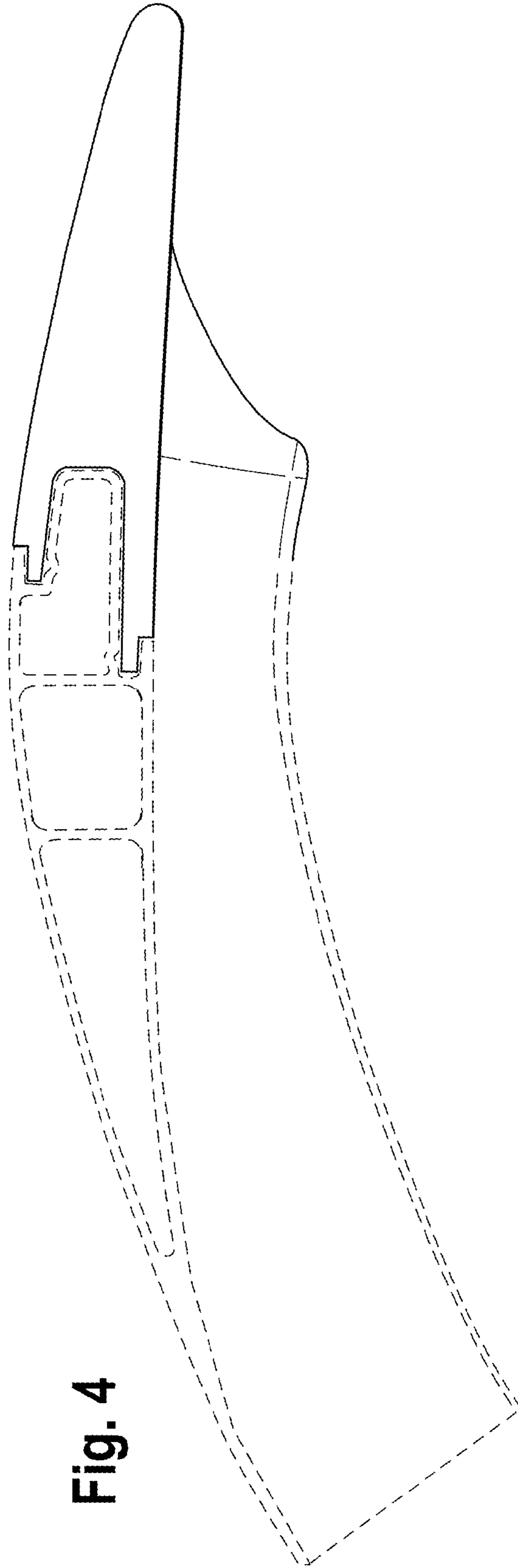


Fig. 4



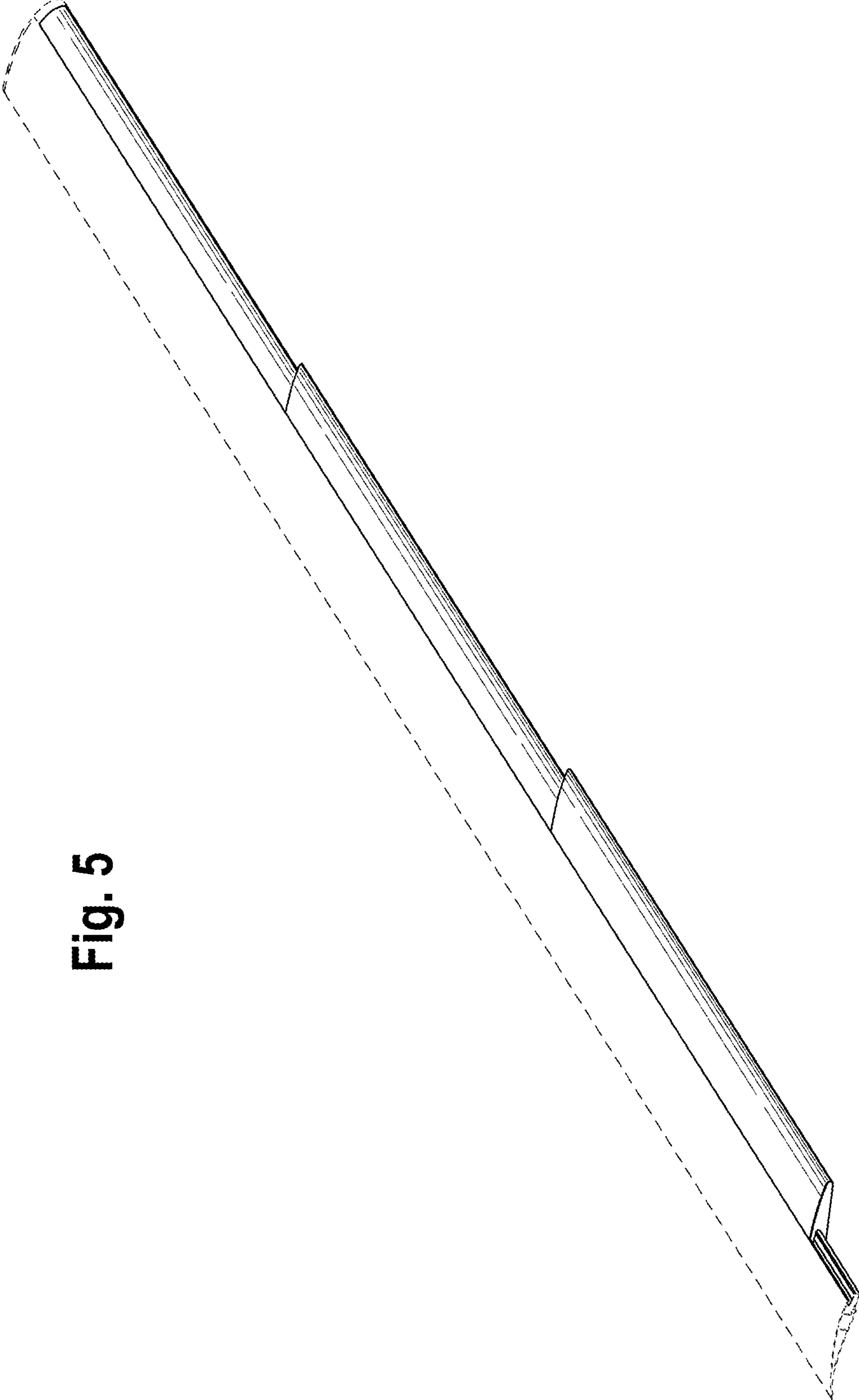


Fig. 5