



US00D930812S

(12) **United States Design Patent** (10) **Patent No.:** **US D930,812 S**  
**Dorsey** (45) **Date of Patent:** **\*\* Sep. 14, 2021**

(54) **FIREPLACE SURROUND**  
(71) Applicant: **CHAD DORSEY DESIGN LLC**,  
Dallas, TX (US)  
(72) Inventor: **Chad Dorsey**, Dallas, TX (US)  
(73) Assignee: **Chad Dorsey Design LLC**, Dallas, TX  
(US)  
(\*\*) Term: **15 Years**  
(21) Appl. No.: **29/729,055**  
(22) Filed: **Mar. 24, 2020**  
(51) **LOC (13) Cl.** ..... **23-03**  
(52) **U.S. Cl.**  
USPC ..... **D23/404**  
(58) **Field of Classification Search**  
USPC ..... D23/403, 404, 409, 415, 416, 405, 406,  
D23/407; D25/60  
CPC ..... F24B 1/18; F24B 1/1804; F24B 1/1808;  
F24B 1/195; F24B 1/197; F24B 1/198;  
F24C 3/006  
See application file for complete search history.

(56) **References Cited**  
U.S. PATENT DOCUMENTS  
1,479 A \* 1/1840 Crosley ..... F24B 1/18  
126/500  
3,826 A \* 11/1844 Gilbert ..... F24B 1/18  
126/500  
269,772 A \* 12/1882 Woolfenden ..... F24B 1/198  
52/36.3  
1,543,748 A \* 6/1925 Brown ..... F24B 1/195  
126/553  
D90,908 S \* 10/1933 Beauchamp ..... D6/664  
D108,009 S \* 1/1938 Baum ..... D23/404  
D108,148 S \* 1/1938 Baum ..... D23/404

D110,383 S \* 7/1938 Baum ..... D25/60  
2,154,939 A \* 4/1939 Howe ..... F24B 1/198  
126/531  
D119,873 S \* 4/1940 Wright ..... D6/673  
(Continued)

**OTHER PUBLICATIONS**

“Brandon Architects Fireplace” Facebook, Nov. 11, 2019, site visited May 17, 2021: <https://www.facebook.com/brandonarchitects/photos/a.850802804939606/2910230918996774/> (Year: 2019).\*  
(Continued)

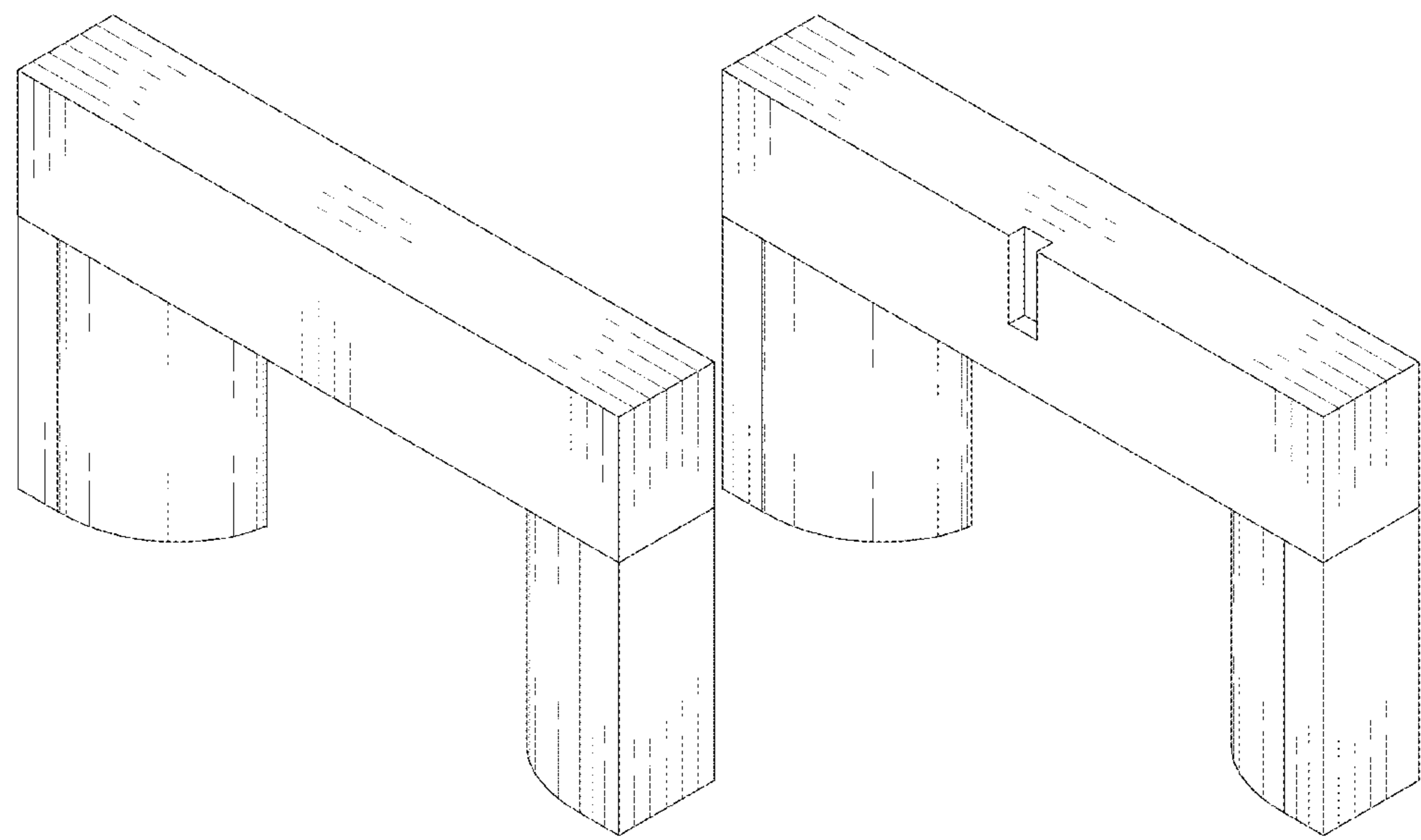
*Primary Examiner* — Jack Reickel  
*Assistant Examiner* — Bobby W Jones, II  
(74) *Attorney, Agent, or Firm* — Hemingway & Hansen  
LLP; D. Scott Hemingway; Elizabeth P. Hartman

(57) **CLAIM**  
The ornamental design for a fireplace surround, as shown and described.

**DESCRIPTION**

FIG. 1 is a front perspective view of a fireplace surround of the present application;  
FIG. 2 is a front elevation view of FIG. 1;  
FIG. 3 is a rear elevation view of FIG. 1;  
FIG. 4 is a top view of FIG. 1;  
FIG. 5 is a bottom view of FIG. 1;  
FIG. 6 is a left side view of FIG. 1;  
FIG. 7 is a right side view of FIG. 1;  
FIG. 8 is a front perspective view of an alternative embodiment of the fireplace surround of FIG. 1;  
FIG. 9 is a front elevation view of the embodiment of FIG. 8;  
FIG. 10 is a rear elevation view of the embodiment of FIG. 8;  
FIG. 11 is a top view of the embodiment of FIG. 8;  
FIG. 12 is a bottom view of the embodiment of FIG. 8;  
FIG. 13 is a left side view of the embodiment of FIG. 8; and,  
FIG. 14 is a right side view of the embodiment of FIG. 8.

**1 Claim, 6 Drawing Sheets**



(56)

References Cited

U.S. PATENT DOCUMENTS

2,210,580 A \* 8/1940 Gersten ..... F24B 1/195  
446/480  
D147,081 S \* 7/1947 Prebis ..... D23/404  
D178,714 S \* 9/1956 Woodward ..... D25/60  
2,875,747 A \* 3/1959 Fish ..... F24B 1/18  
126/512  
D253,143 S \* 10/1979 Shaw ..... D25/60  
D300,356 S 3/1989 Becker  
D300,461 S 3/1989 Becker  
D300,943 S 5/1989 Heger  
D300,944 S 5/1989 Heger  
4,945,692 A \* 8/1990 Gallier ..... E04F 19/005  
52/315  
D318,914 S 8/1991 Becker  
5,718,272 A \* 2/1998 Brazell ..... F24B 1/198  
160/39  
D407,577 S \* 4/1999 Dorst ..... D6/658  
6,029,731 A \* 2/2000 Brazell ..... F24B 1/198  
160/352  
D516,196 S 2/2006 Johnson  
D519,202 S \* 4/2006 Lyons ..... D23/404  
D526,403 S 8/2006 Hills  
D529,599 S 10/2006 Hills  
D532,898 S 11/2006 Hills  
D532,899 S 11/2006 Hills  
D532,900 S 11/2006 Hills  
D534,271 S 12/2006 Hills  
D535,382 S 1/2007 Hills

D539,412 S 3/2007 Hills  
D688,365 S \* 8/2013 Hadi ..... D23/404  
D828,537 S \* 9/2018 Chen ..... D23/404  
D828,538 S \* 9/2018 Chen ..... D23/404  
D828,539 S \* 9/2018 Chen ..... D23/404  
2005/0050805 A1 \* 3/2005 Lyons ..... E04F 19/00  
52/36.3  
2005/0050806 A1 \* 3/2005 Lyons ..... F23N 5/203  
52/36.3  
2005/0076902 A1 \* 4/2005 Lyons ..... F24B 1/18  
126/500  
2005/0198914 A1 \* 9/2005 Lyons ..... F24B 1/198  
52/36.3  
2009/0038606 A1 \* 2/2009 Weinberger ..... F24B 1/195  
126/552  
2010/0307477 A1 \* 12/2010 Gallo ..... F24B 1/18  
126/500

OTHER PUBLICATIONS

“Fontine Series Mantle Model FS00100”, Home Depot, Mar. 21, 2019, site visited Jun. 28, 2021: <https://www.homedepot.com/p/Fontine-Series-74-in-x-56-in-Mantel-FS00100/306173457> (Year: 2019).  
“Chad Dorsey Debuts Strike”, Mar. 30, 2020, California Home Design, site visited May 17, 2021: <https://www.californiahomedesign.com/trending/2020/03/30/chad-dorsey-debuts-strike-a-collection-of-fireplaces/> (Year: 2020).\*

\* cited by examiner

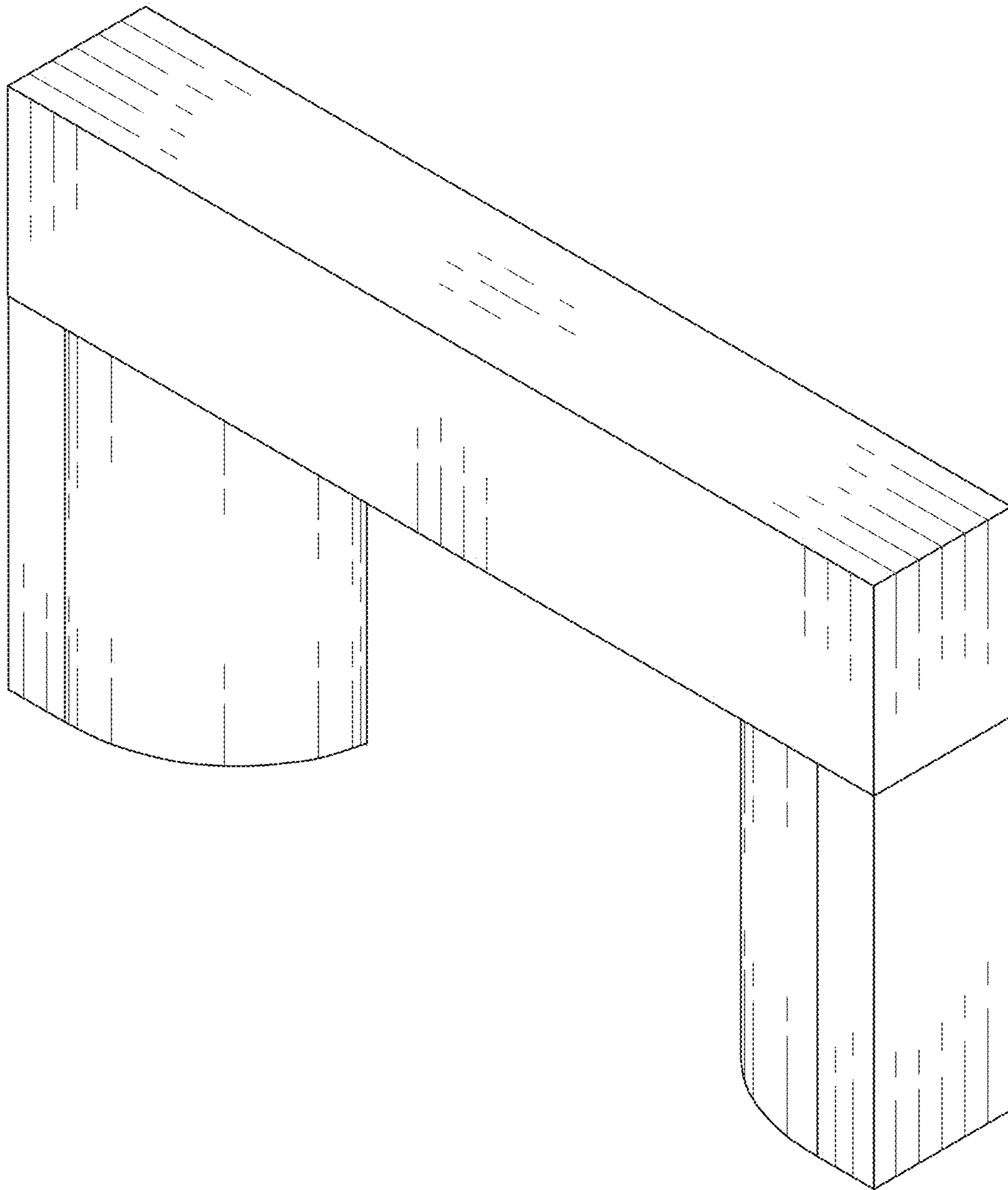


FIG. 1

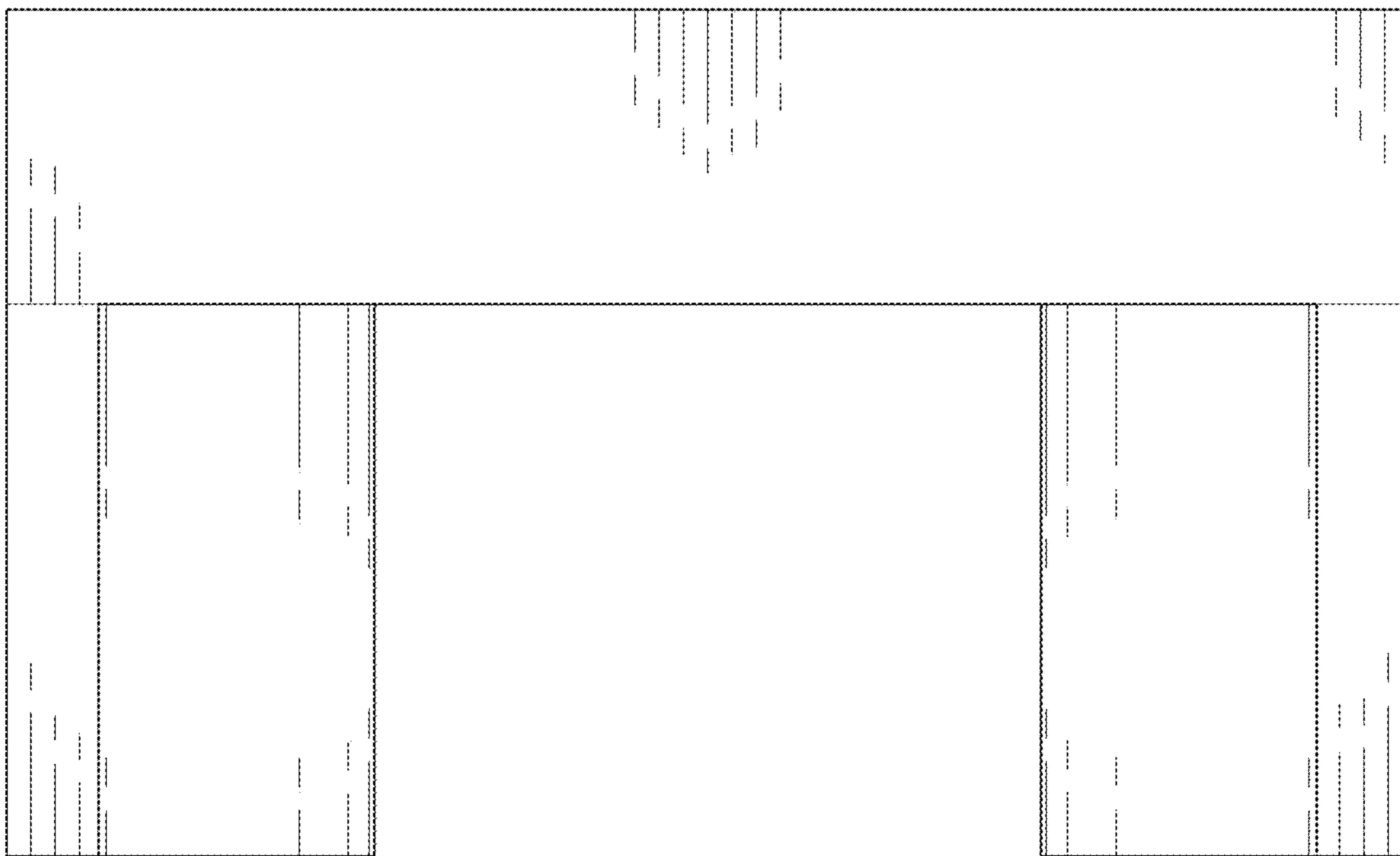


FIG. 2

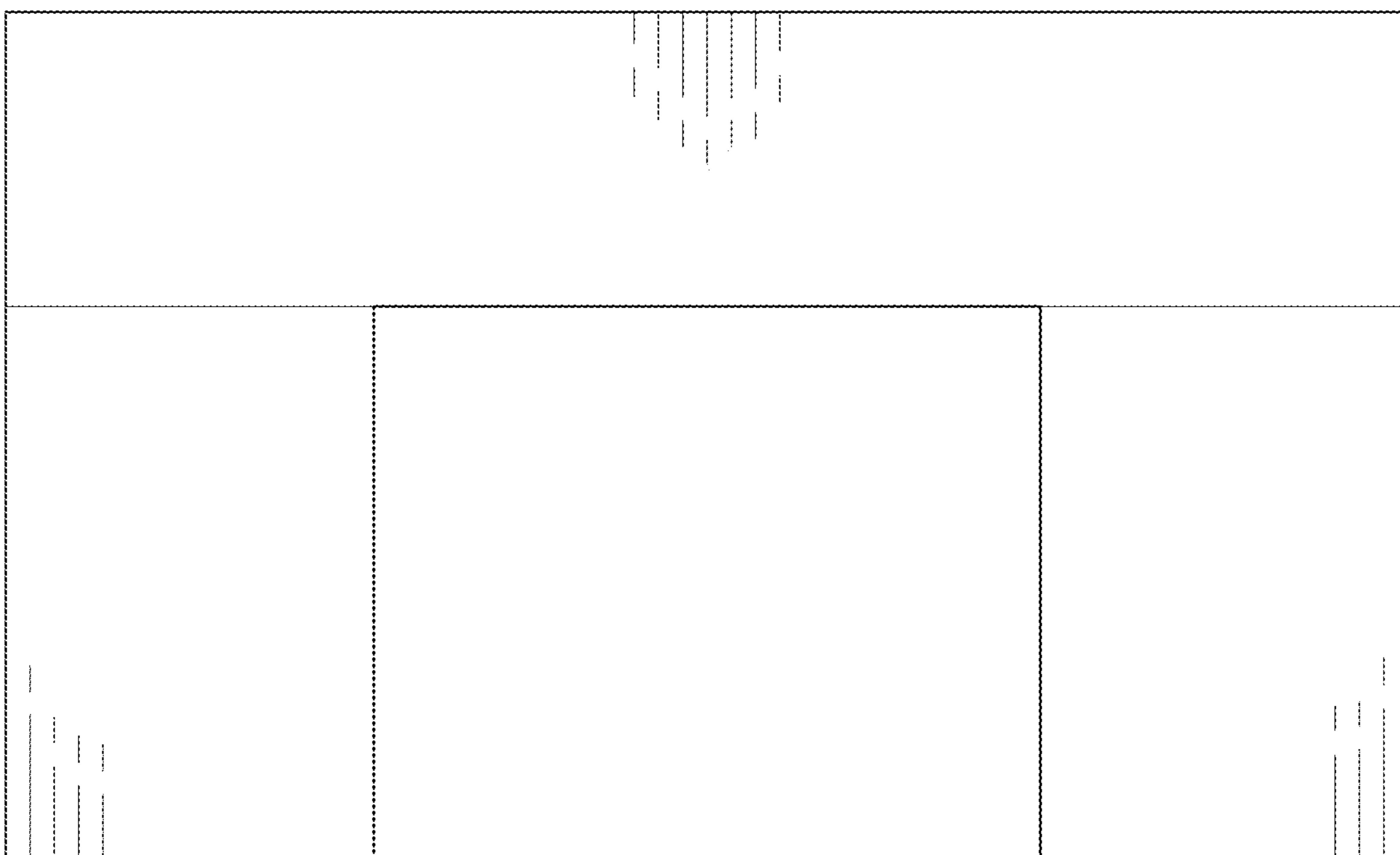


FIG. 3

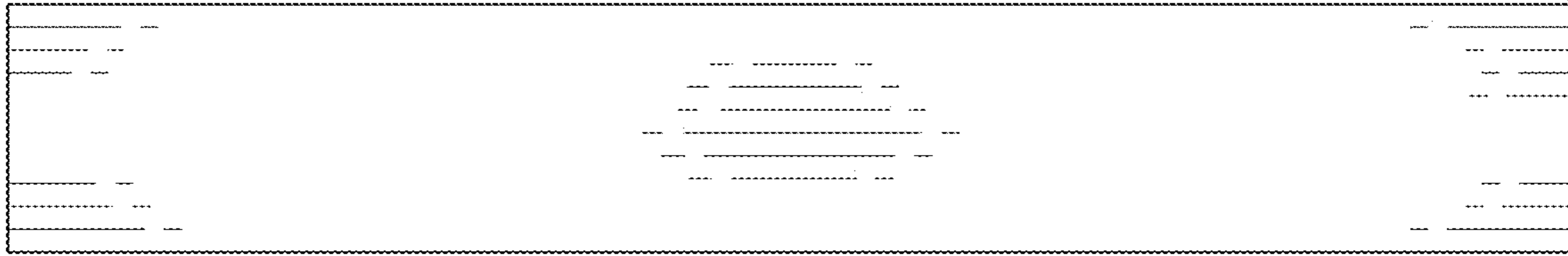


FIG. 4

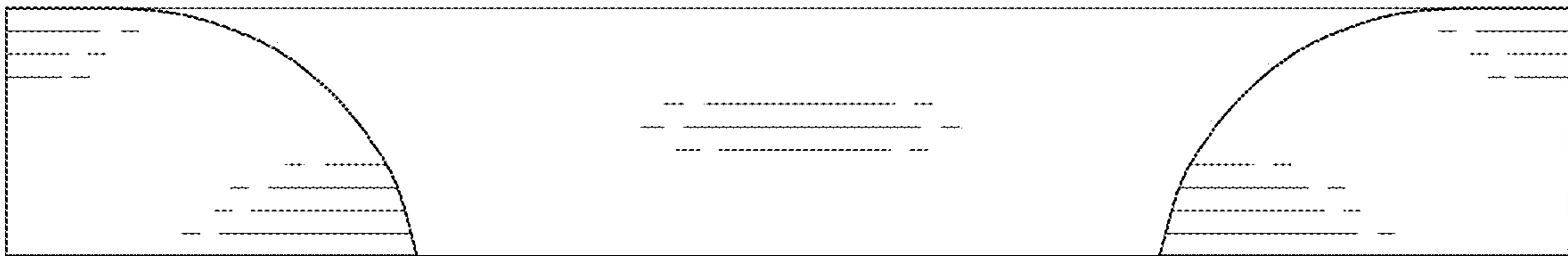


FIG. 5

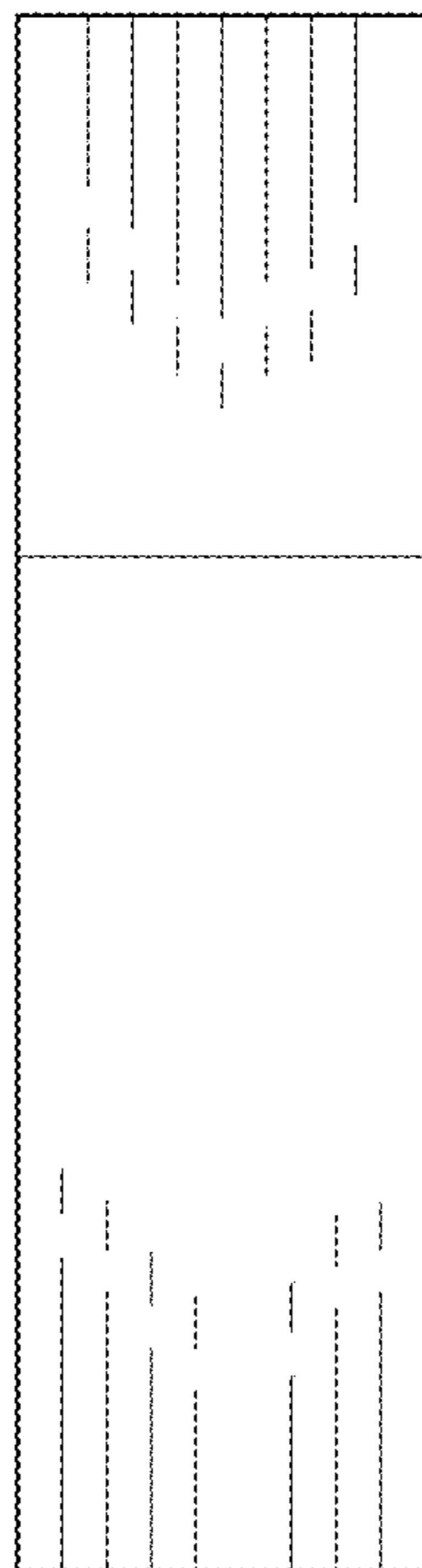


FIG. 6

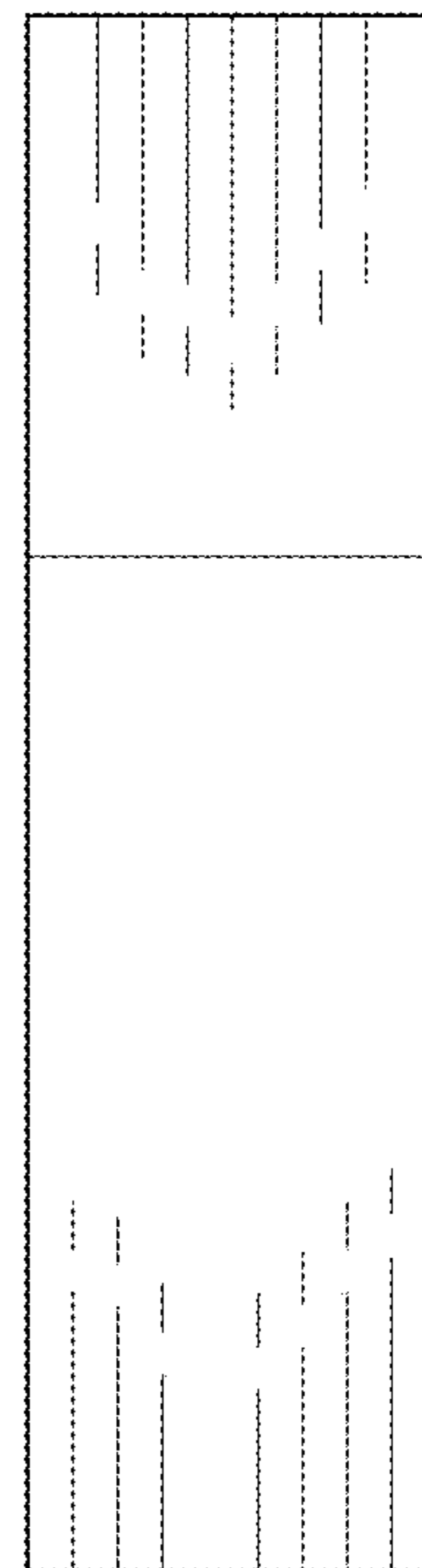


FIG. 7

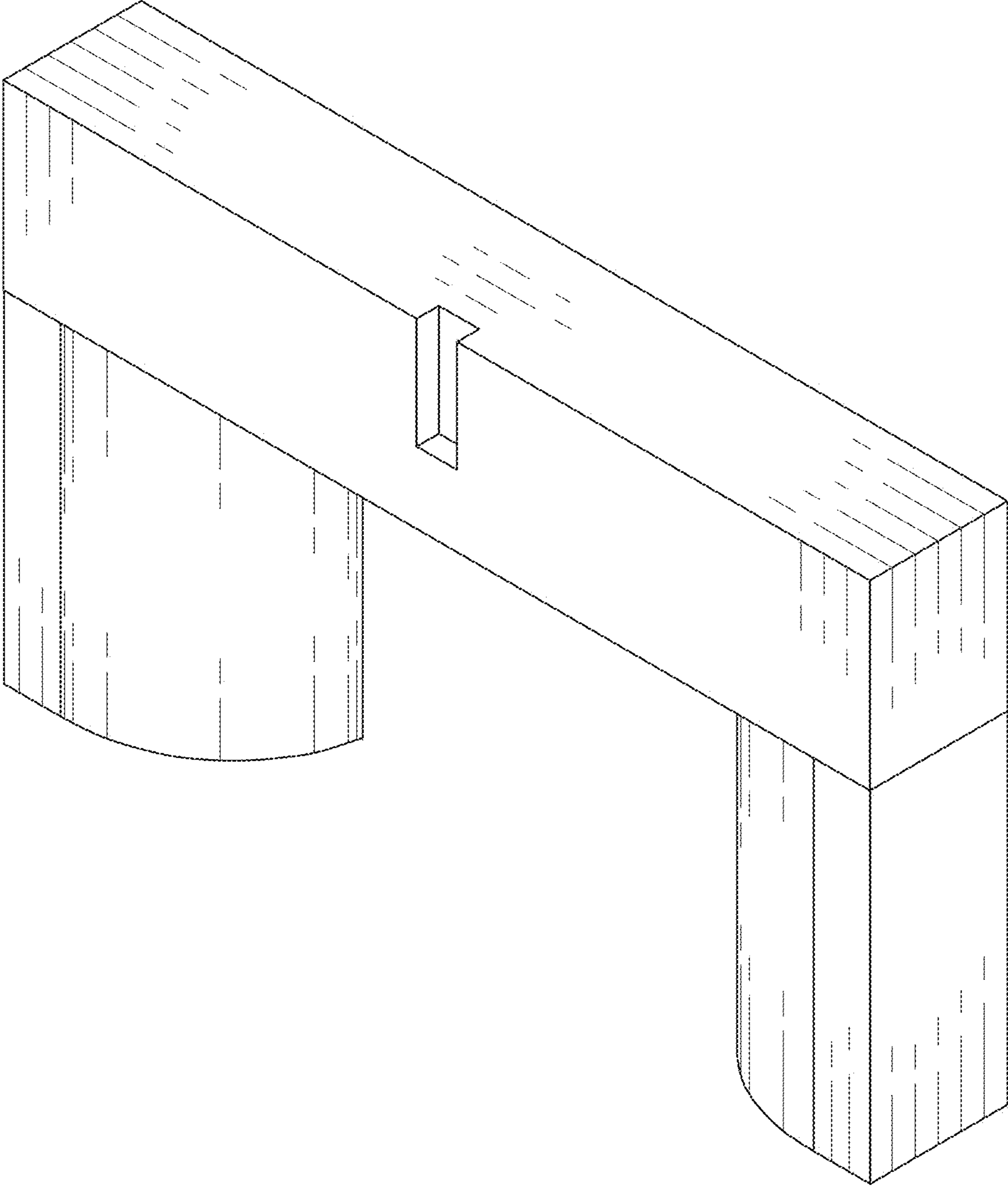


FIG. 8

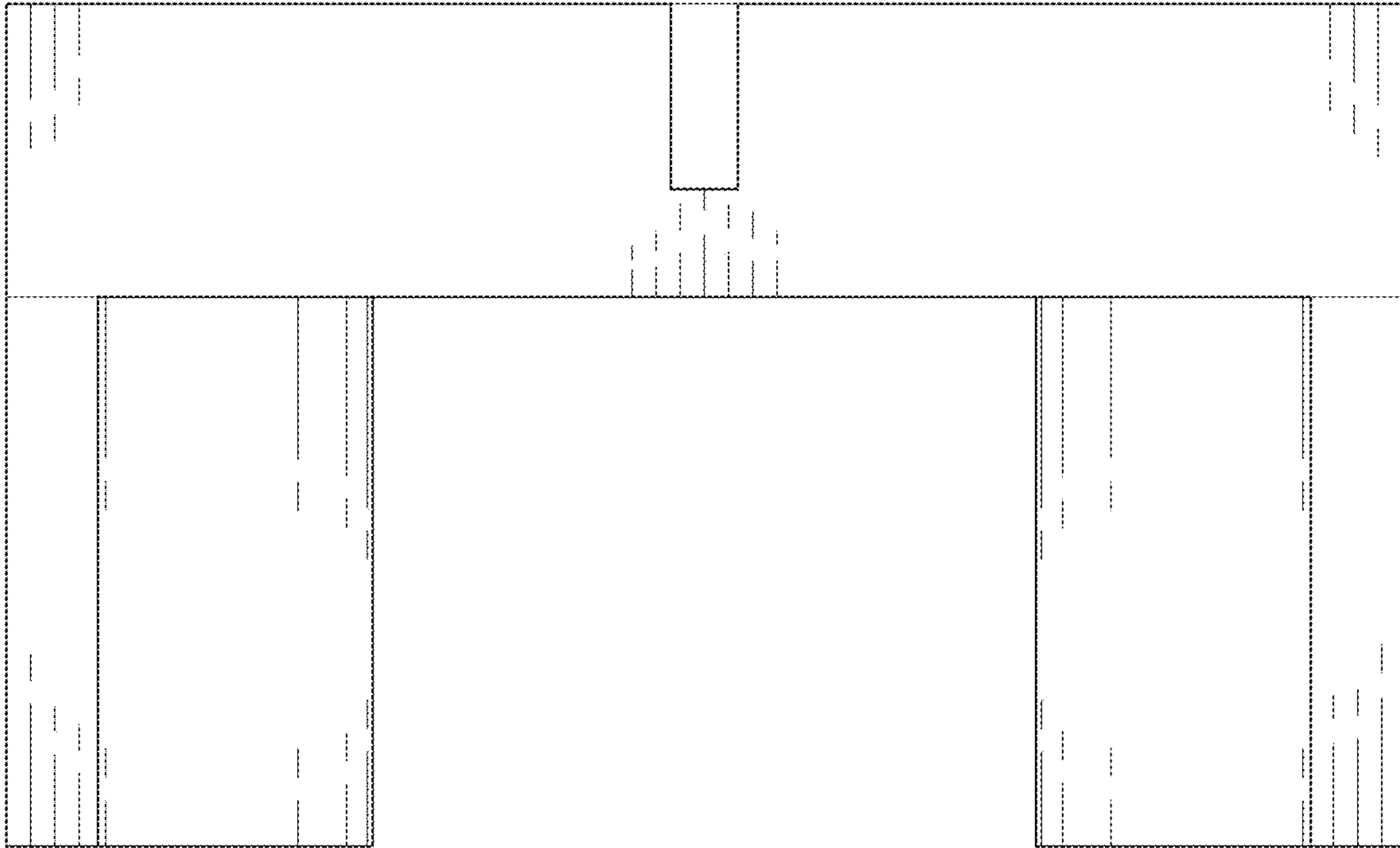


FIG. 9

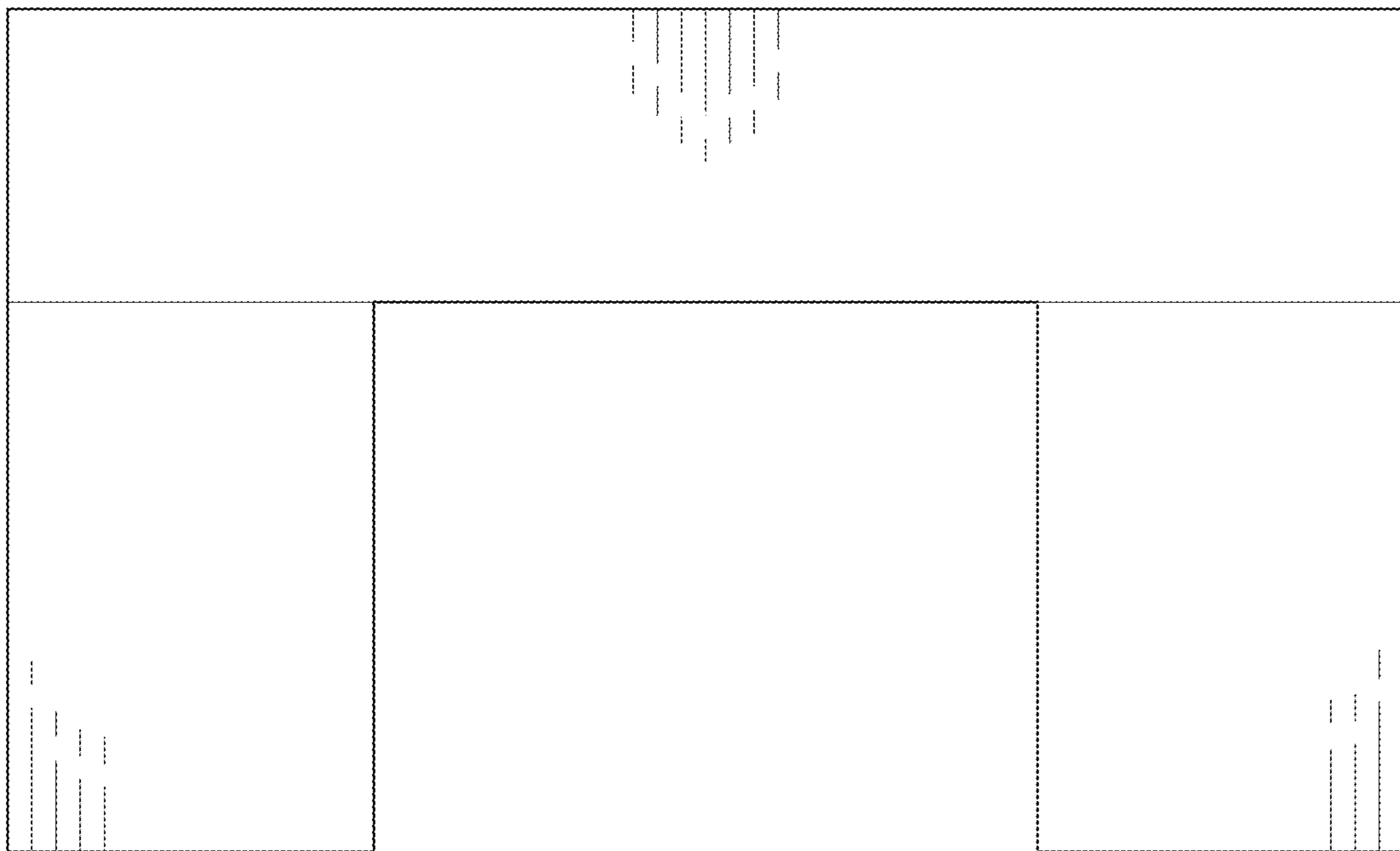


FIG. 10

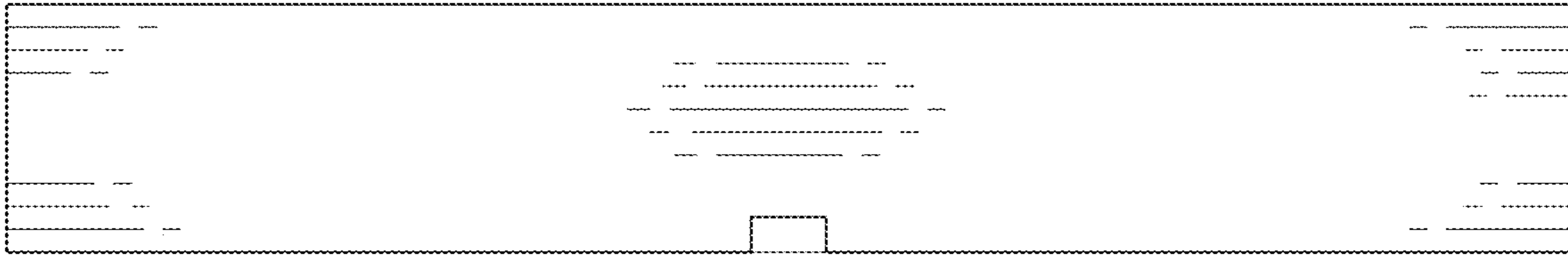


FIG. 11

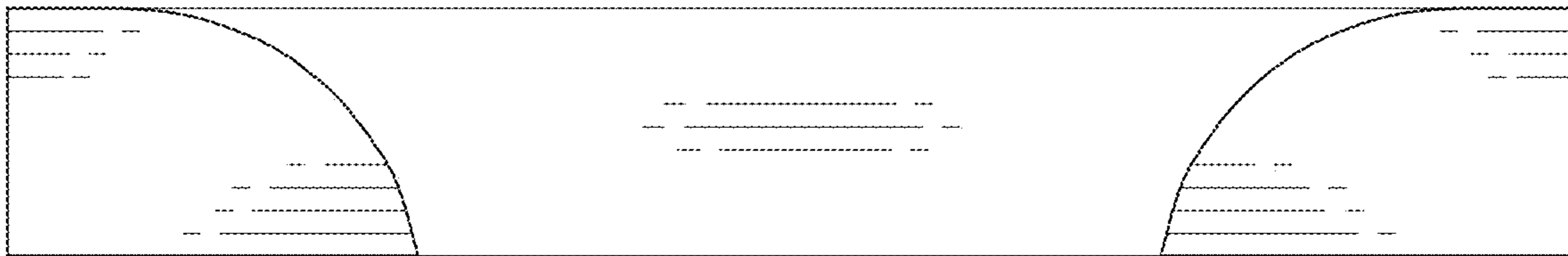


FIG. 12

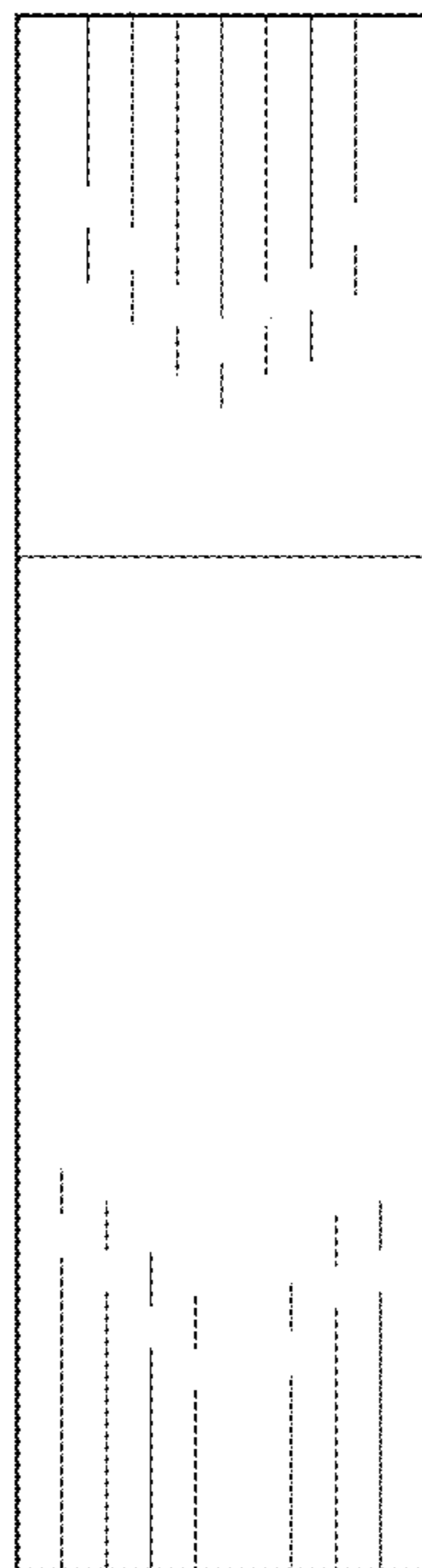


FIG. 13

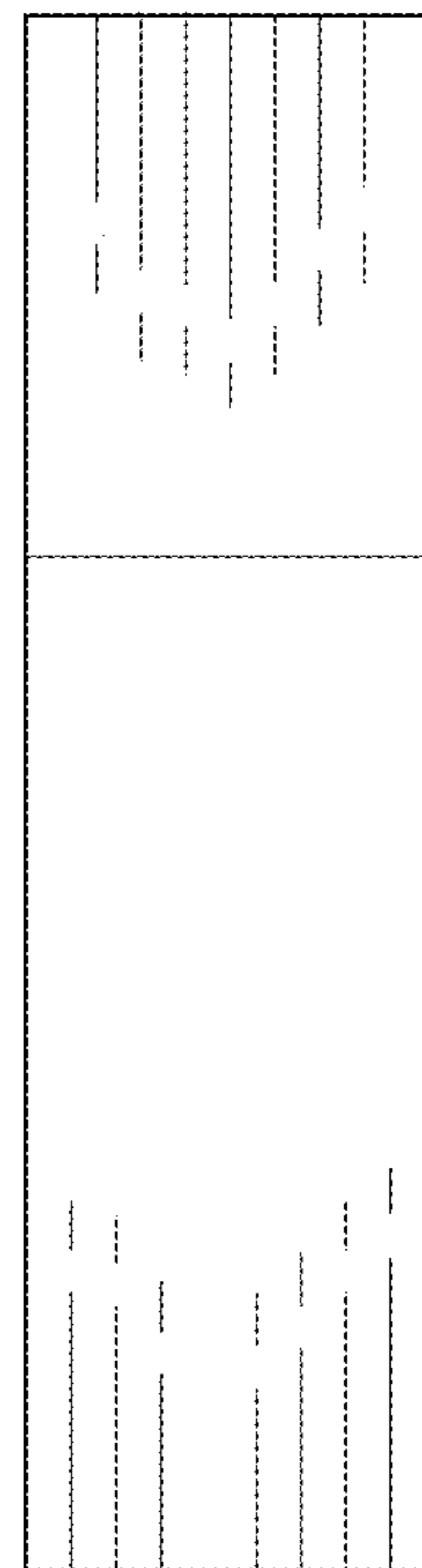


FIG. 14