

US00D930808S

(12) **United States Design Patent**
Hsu

(10) **Patent No.:** **US D930,808 S**

(45) **Date of Patent:** **** Sep. 14, 2021**

(54) **FAN**
(71) Applicant: **ARCTIC-AIR HOME APPLIANCE CO., LTD.**, Shenzhen (CN)
(72) Inventor: **Kuei-Chih Hsu**, Shenzhen (CN)
(73) Assignee: **ARCTIC-AIR HOME APPLIANCE CO., LTD.**, Shenzhen (CN)
(**) Term: **15 Years**

D176,891 S * 2/1956 Theisen D23/385
D231,355 S * 4/1974 Papst D23/377
D469,209 S * 1/2003 Homann D26/118
D509,583 S * 9/2005 Graham D23/411
6,987,336 B2 * 1/2006 Streng F04D 29/668
310/51
D532,095 S * 11/2006 Calkins D23/370
7,594,800 B2 * 9/2009 Teipen F03D 1/0691
416/247 R
D726,897 S * 4/2015 Hatz D23/411
D768,838 S * 10/2016 Ritch D23/370
D814,008 S * 3/2018 Munz D23/370
D898,182 S * 10/2020 Zhang D23/411

(21) Appl. No.: **29/706,808**

* cited by examiner

(22) Filed: **Sep. 24, 2019**

Primary Examiner — Sharon S Oum

(30) **Foreign Application Priority Data**

(74) *Attorney, Agent, or Firm* — MLO, a professional corp.

Jul. 15, 2019 (CN) 201930374800.3

(51) **LOC (13) Cl.** **23-04**

(52) **U.S. Cl.**
USPC **D23/370; D23/379**

(58) **Field of Classification Search**
USPC D23/328, 332, 333, 370–383, 385,
D23/335–337, 341, 351, 352, 354,
D23/411–414

CPC .. F04D 25/084; F04D 25/086; F04D 25/0673;
F04D 29/646; F04D 25/08; F04D 29/32;
F04D 29/52; F04D 29/324; F04D 29/38
See application file for complete search history.

(56) **References Cited**

U.S. PATENT DOCUMENTS

D39,419 S * 7/1908 Snyder D23/411
D131,669 S * 3/1942 Kisling D23/378

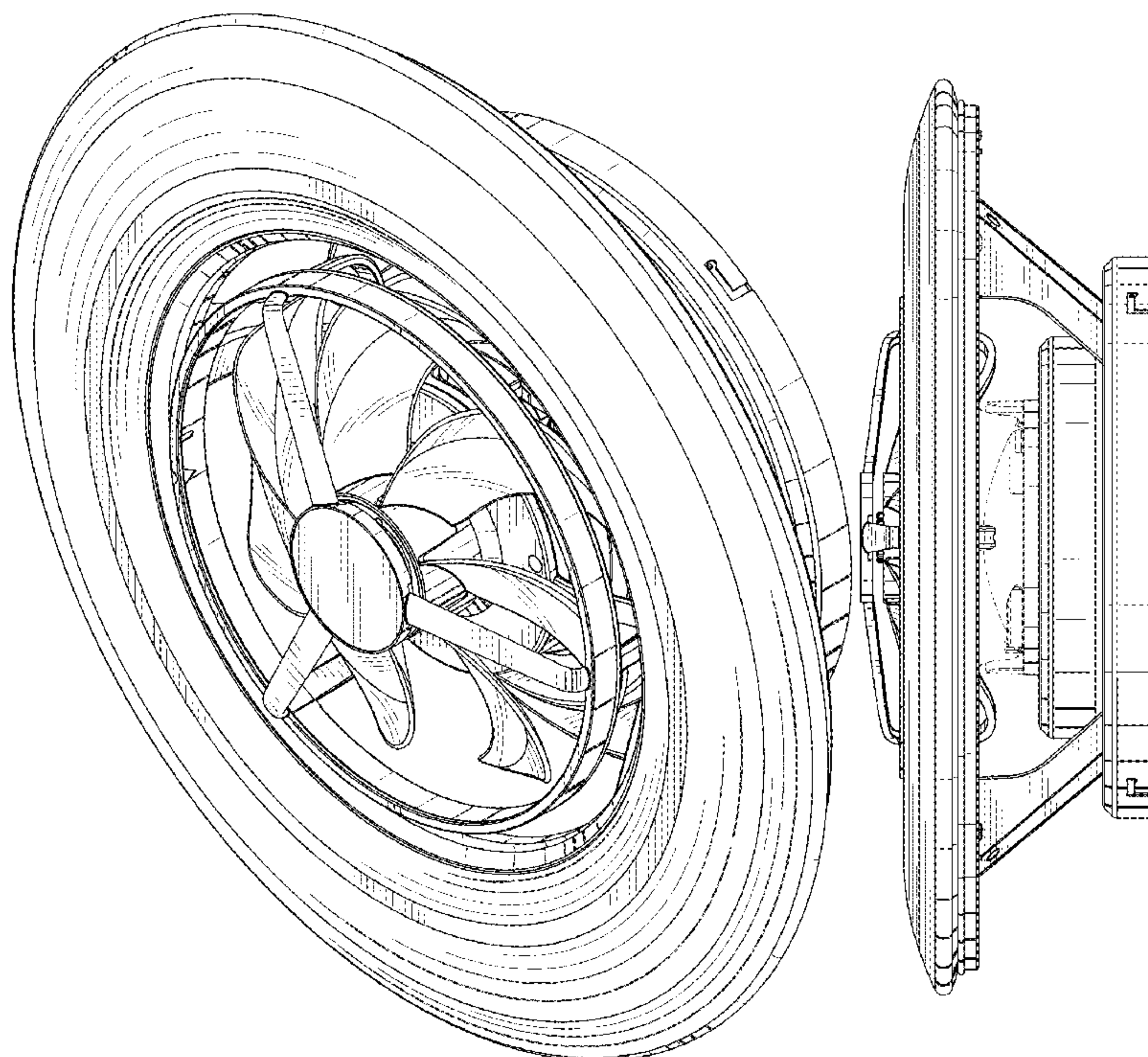
(57) **CLAIM**

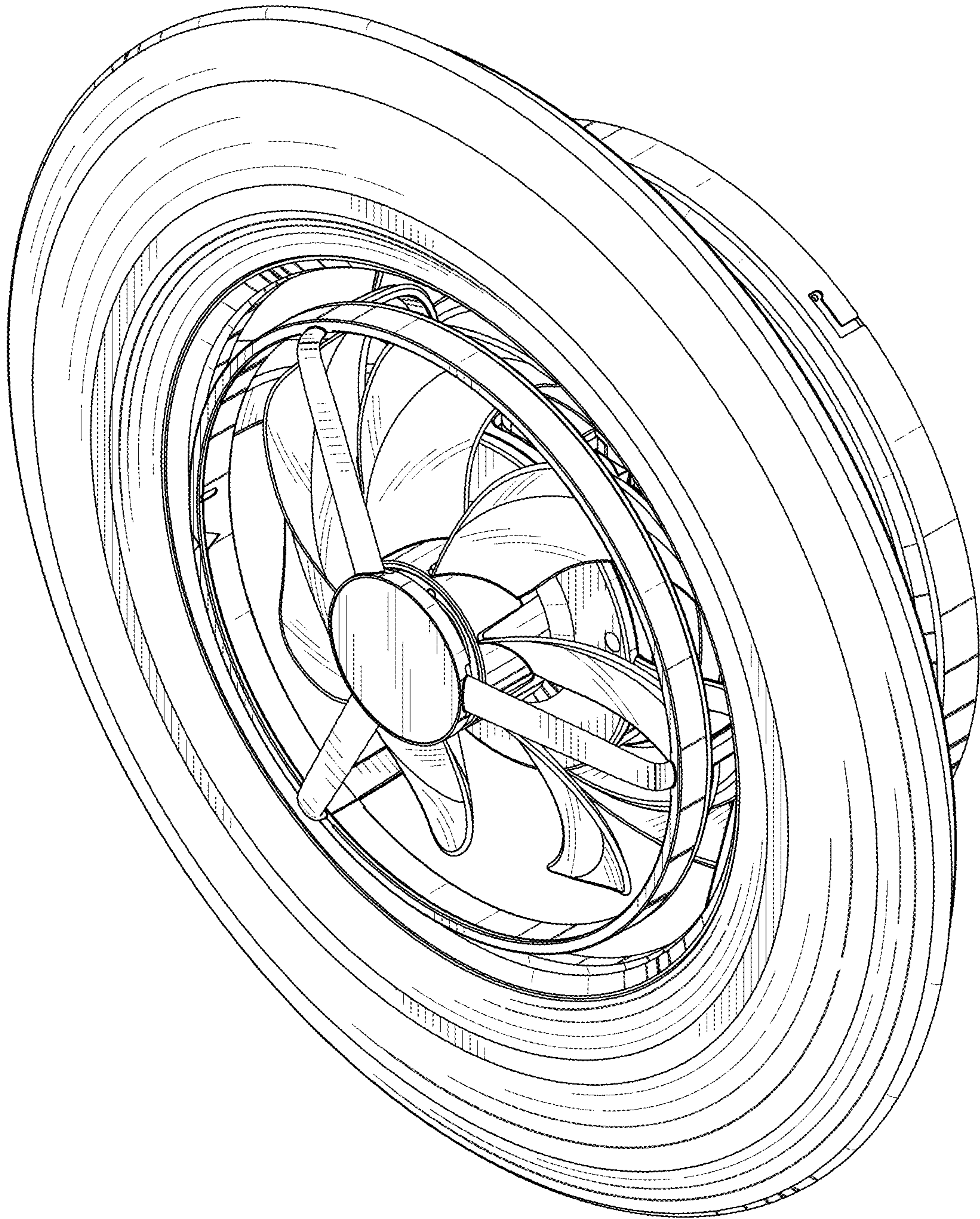
The ornamental design for a fan, as shown and described.

DESCRIPTION

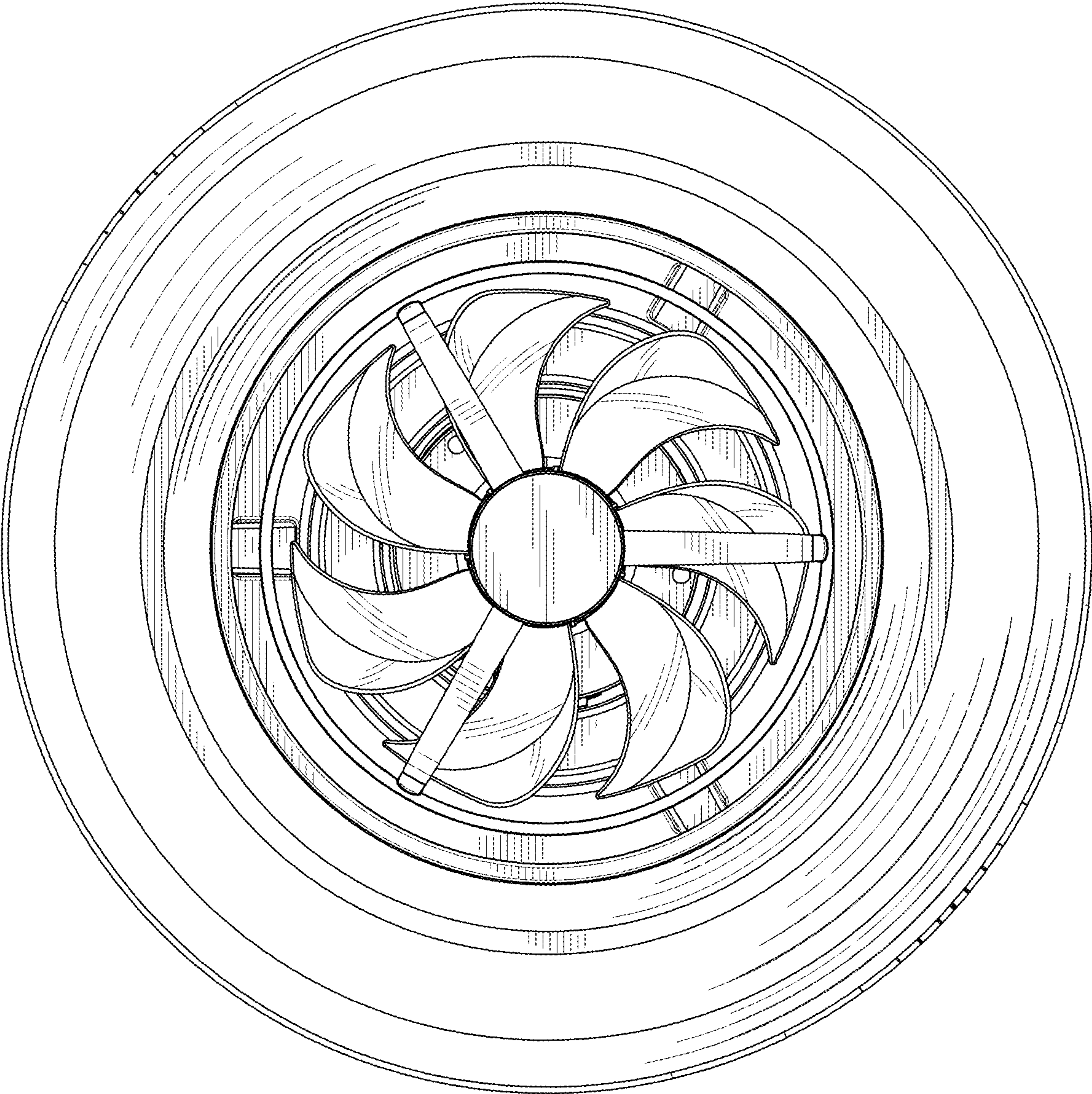
FIG. 1 is a front perspective view of a fan showing my new design;
FIG. 2 is a front elevational view thereof;
FIG. 3 is a rear elevational view thereof;
FIG. 4 is a left side elevational view thereof;
FIG. 5 is a right side elevational view thereof;
FIG. 6 is a top plan view thereof;
FIG. 7 is a bottom plan view thereof; and,
FIG. 8 is a rear perspective view of FIG. 1.
The dashed broken lines depict portions of a fan in which the design is embodied that form no part of the claimed design.

1 Claim, 8 Drawing Sheets





F I G. 1



F I G. 2

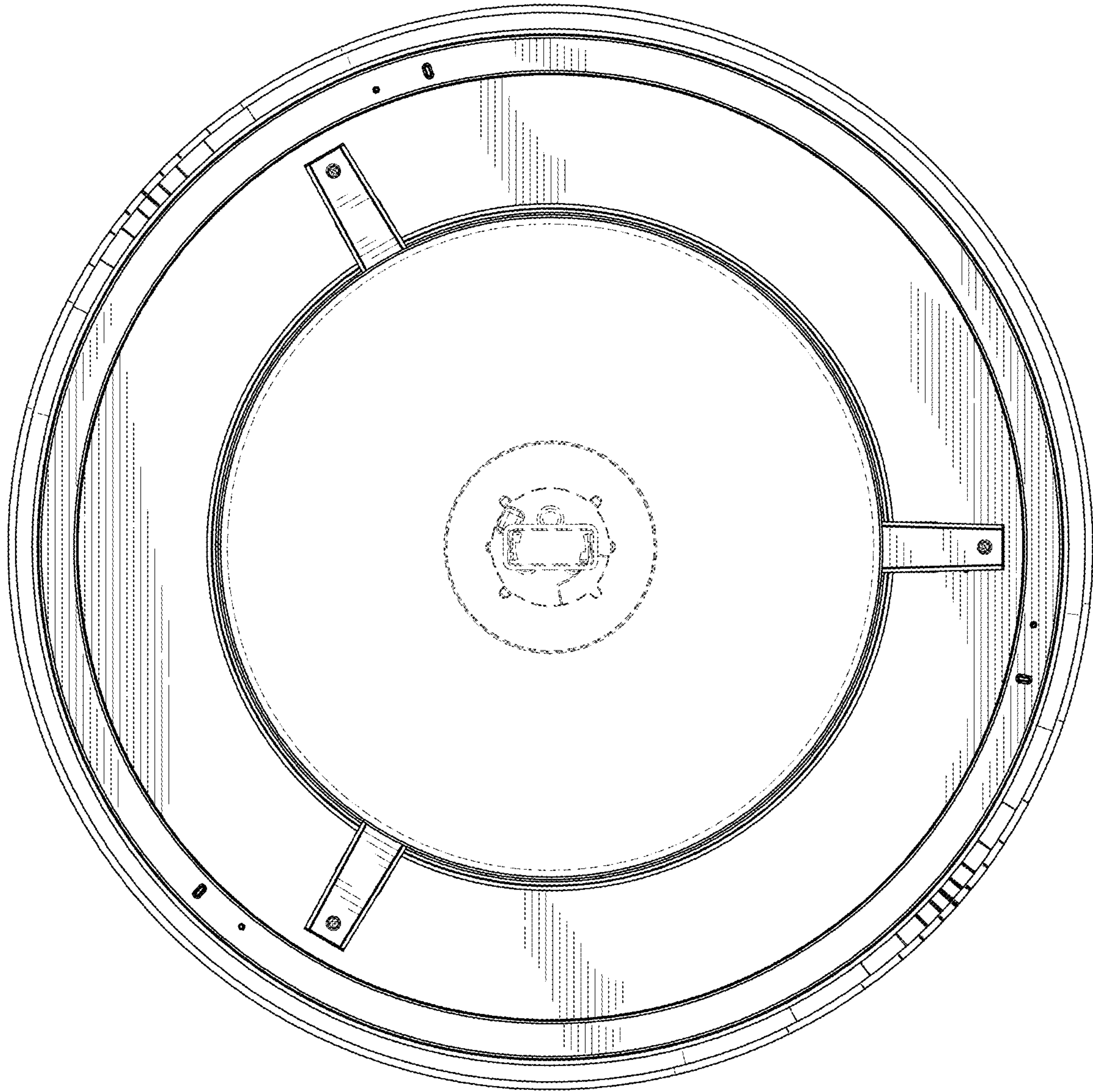
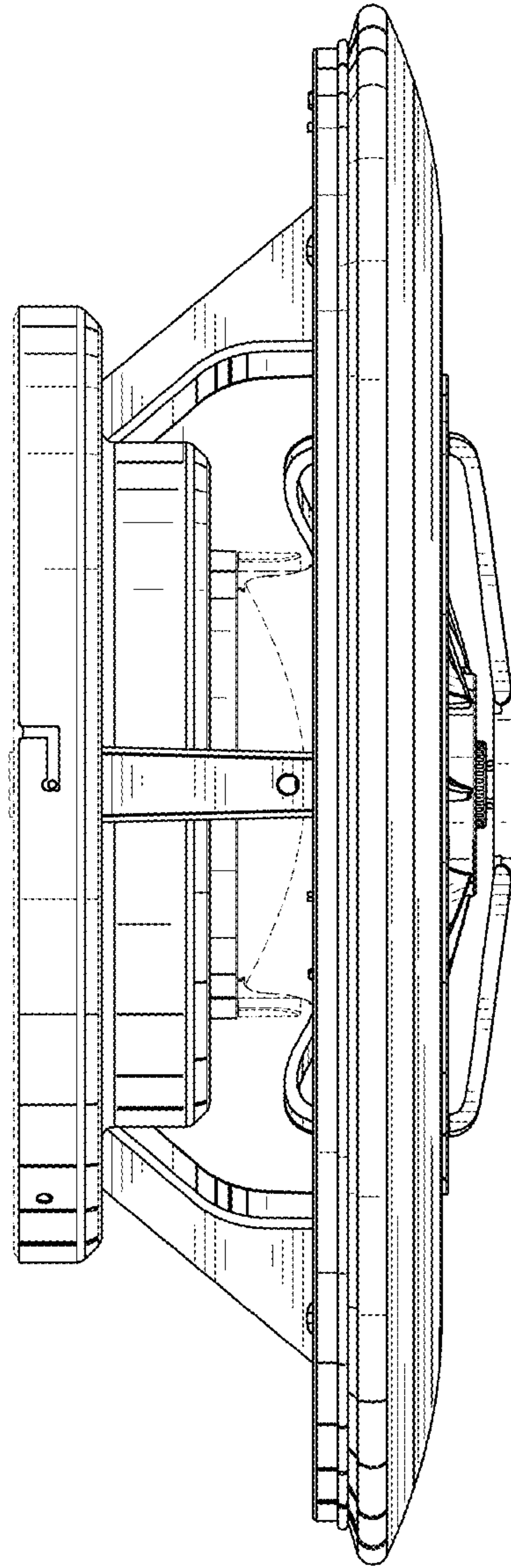
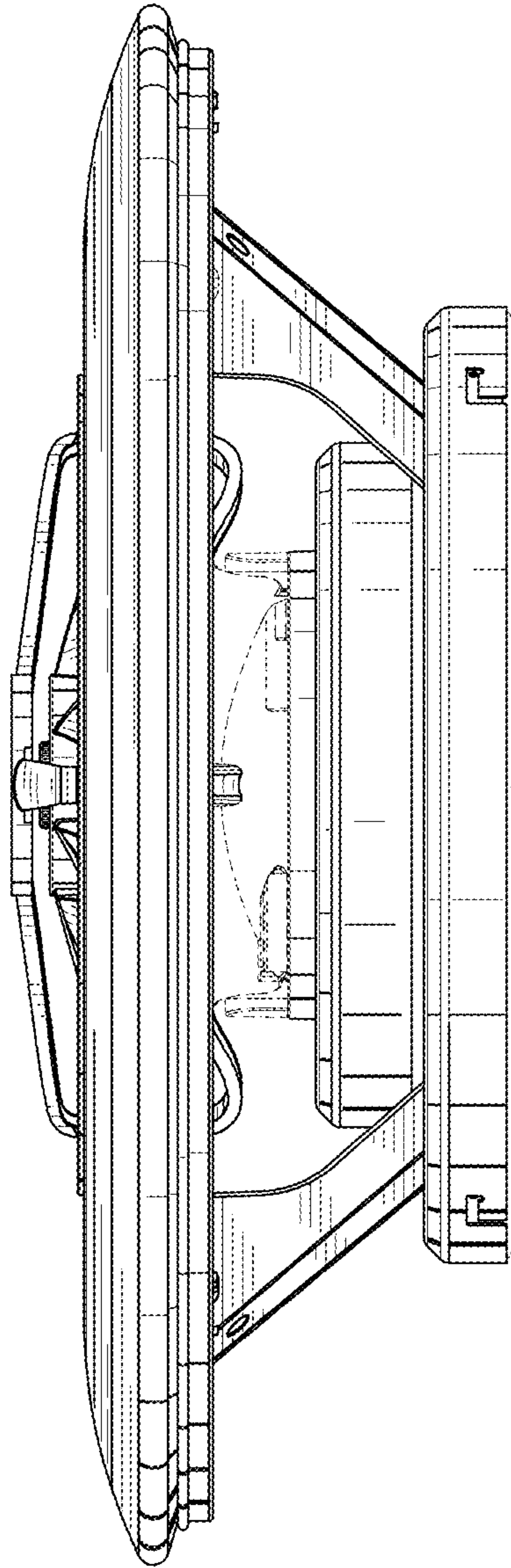


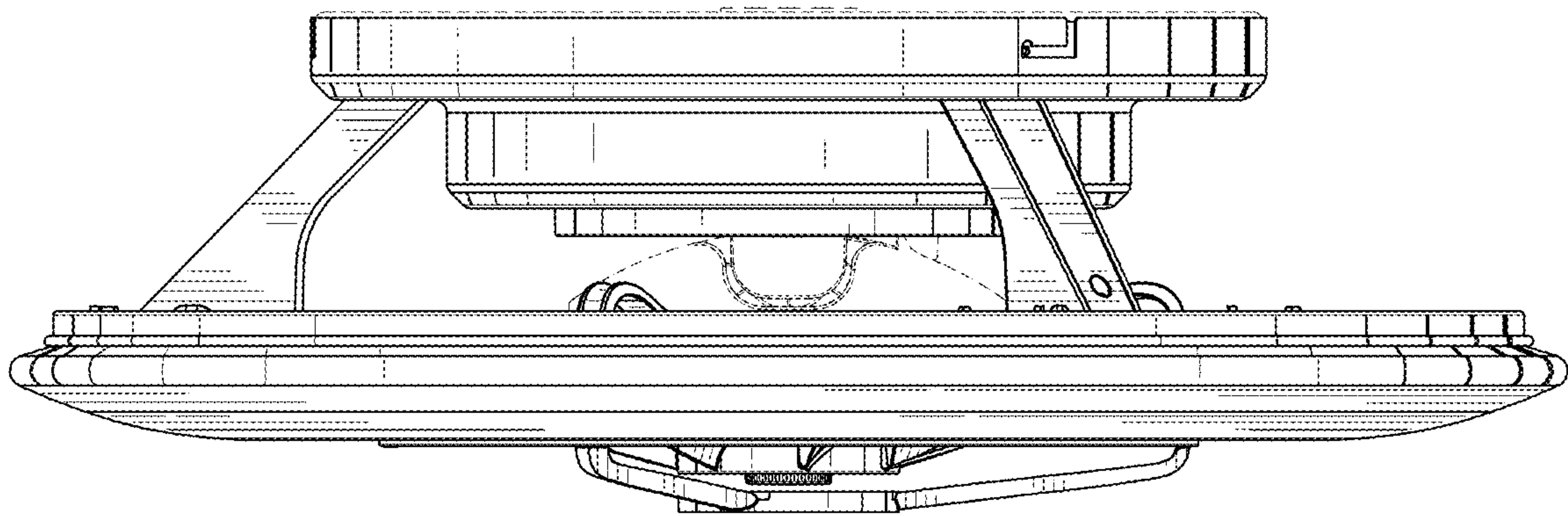
FIG. 3



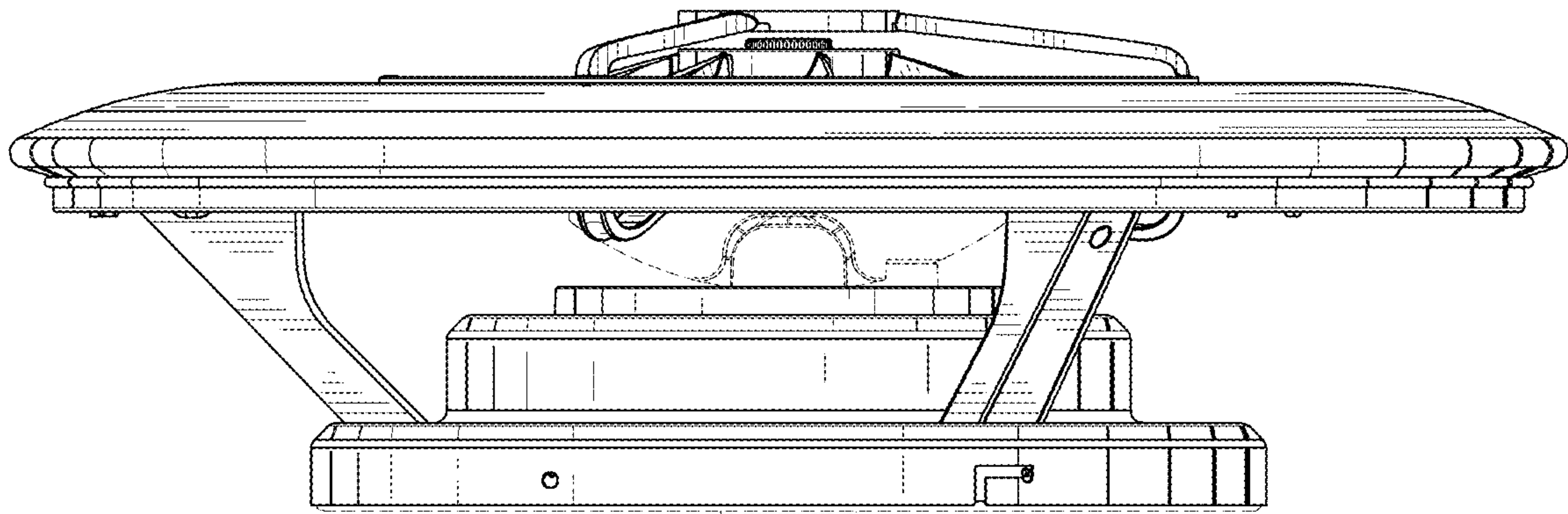
F I G. 4



F I G. 5



F I G. 6



F I G. 7

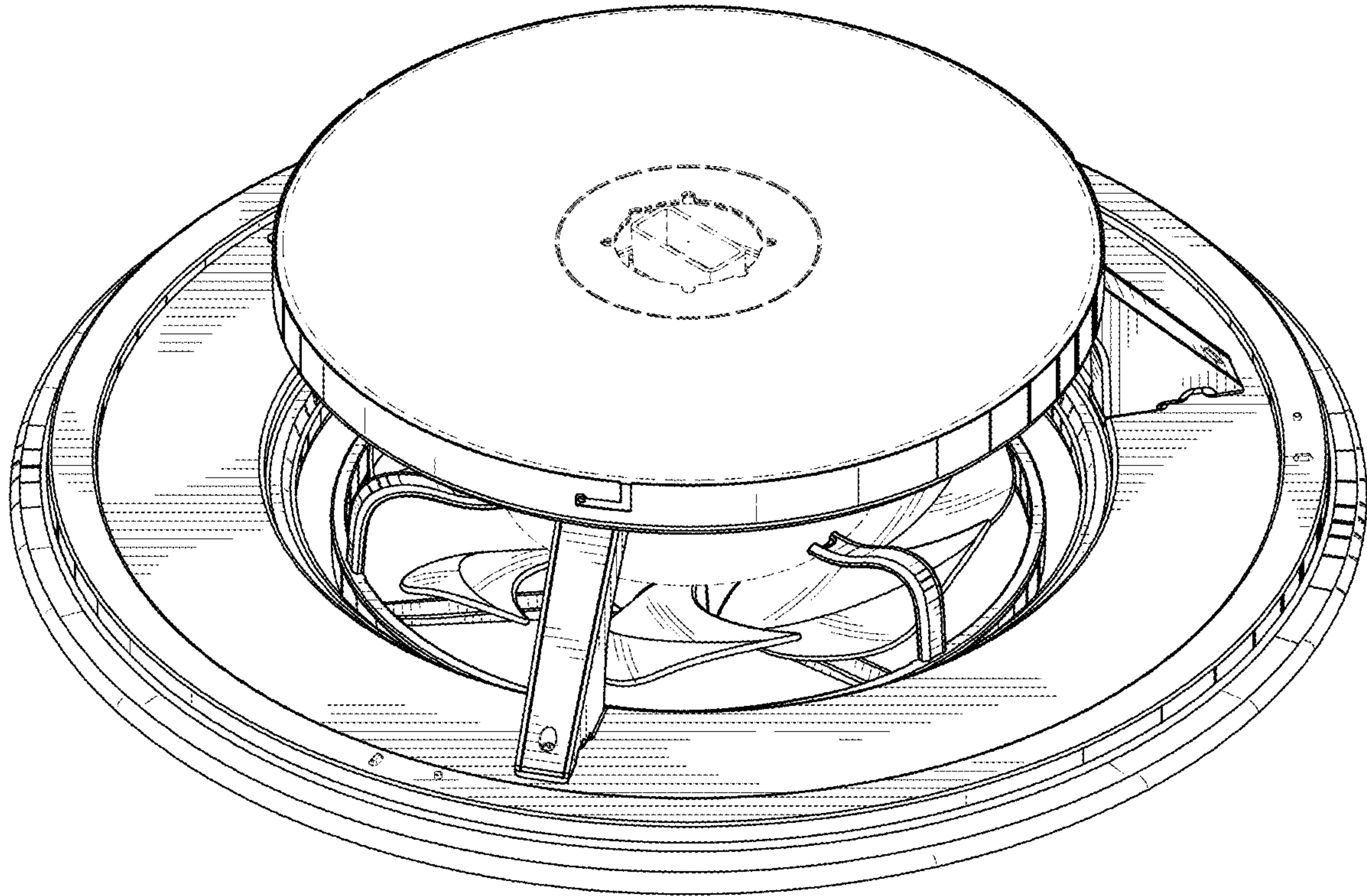


FIG. 8