



US00D930806S

(12) **United States Design Patent** (10) **Patent No.:** **US D930,806 S**
Wuidart et al. (45) **Date of Patent:** **** Sep. 14, 2021**

(54) **FRAGRANCE DIFFUSER**

(71) Applicant: **ARTIRIS**, Paris (FR)

(72) Inventors: **Aymeric Wuidart**, Levallois-Perret (FR); **David Lopez-Bonet**, Paris (FR); **Alnoor Mitha de Bharat**, Paris (FR)

(**) Term: **15 Years**

(21) Appl. No.: **29/697,098**

(22) Filed: **Jul. 3, 2019**

(30) **Foreign Application Priority Data**

Jan. 4, 2019 (EM) 005948650-0002

(51) **LOC (13) Cl.** **28-99**

(52) **U.S. Cl.**
USPC **D23/366**

(58) **Field of Classification Search**
USPC D23/209, 355, 356, 358, 359, 360, 364,
D23/365, 366; D7/316, 505; D9/435,
D9/444, 504, 519, 529, 686; D11/131.1;
D28/89; D99/5
CPC . A61L 9/03; A61L 9/012; A61L 9/015; A61L
9/037; F41J 1/01
See application file for complete search history.

(56) **References Cited**

U.S. PATENT DOCUMENTS

2,634,877 A * 4/1953 Kaplan B65H 35/0033
156/523
D372,078 S * 7/1996 Cuning D23/355
D438,295 S * 2/2001 Krauss D23/356
D460,543 S * 7/2002 Wang D23/355
7,017,639 B2 * 3/2006 McDonald B65H 35/0033
156/527
D544,545 S * 6/2007 Kanbar D19/89
7,226,521 B2 * 6/2007 Steinhardt B65H 35/002
156/249

D814,618 S * 4/2018 Cartwright D23/356
D854,131 S * 7/2019 Ediger D23/356
D870,255 S * 12/2019 Ao D23/364
D874,623 S * 2/2020 Lupi D23/333
D890,902 S * 7/2020 Carling D23/364
2013/0280051 A1 * 10/2013 Nicolas F01D 25/00
415/182.1

OTHER PUBLICATIONS

Artiris Fragrance Diffuser [Oct. 5, 2020] found online [Oct. 5, 2020]—<http://artiris-parfum.com/>.*

* cited by examiner

Primary Examiner — John A Voytek

(74) *Attorney, Agent, or Firm* — The Sladkus Law Group

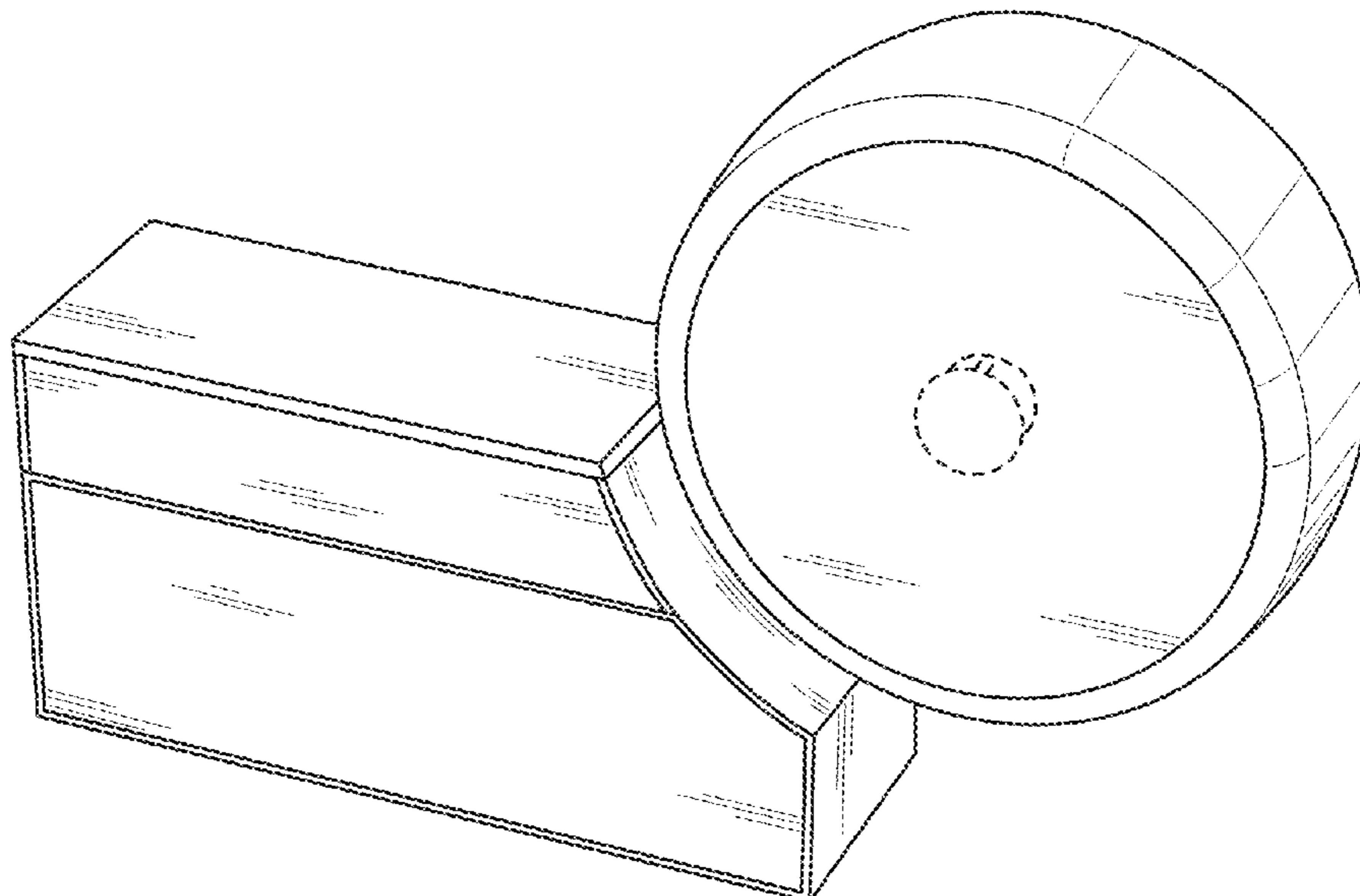
(57) **CLAIM**

The ornamental design for a fragrance diffuser, as shown and described.

DESCRIPTION

FIG. 1 is a front elevational view of a fragrance diffuser of the present invention;
FIG. 2 is a rear elevational view of the fragrance diffuser of FIG. 1;
FIG. 3 is a right side elevational view of the fragrance diffuser of FIG. 1;
FIG. 4 is a left side elevational view of the fragrance diffuser of FIG. 1;
FIG. 5 is a top view of the fragrance diffuser of FIG. 1;
FIG. 6 is a bottom view of the fragrance diffuser of FIG. 1; and,
FIG. 7 is a perspective view of the fragrance diffuser of FIG. 1.
Broken lines shown in FIGS. 1 and 7 depict unclaimed portions of the fragrance diffuser and form no part of the claimed design.

1 Claim, 7 Drawing Sheets



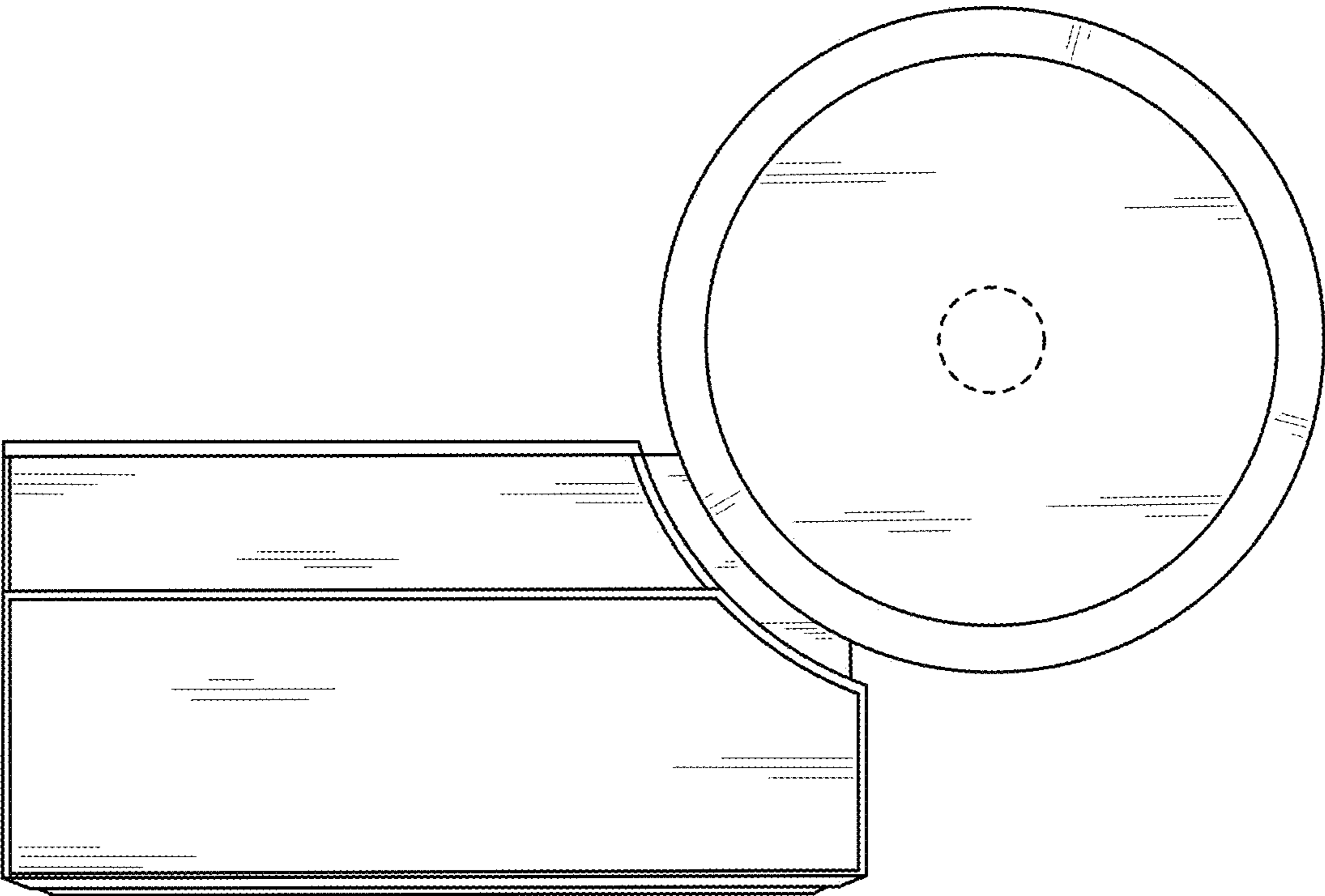


FIG. 1

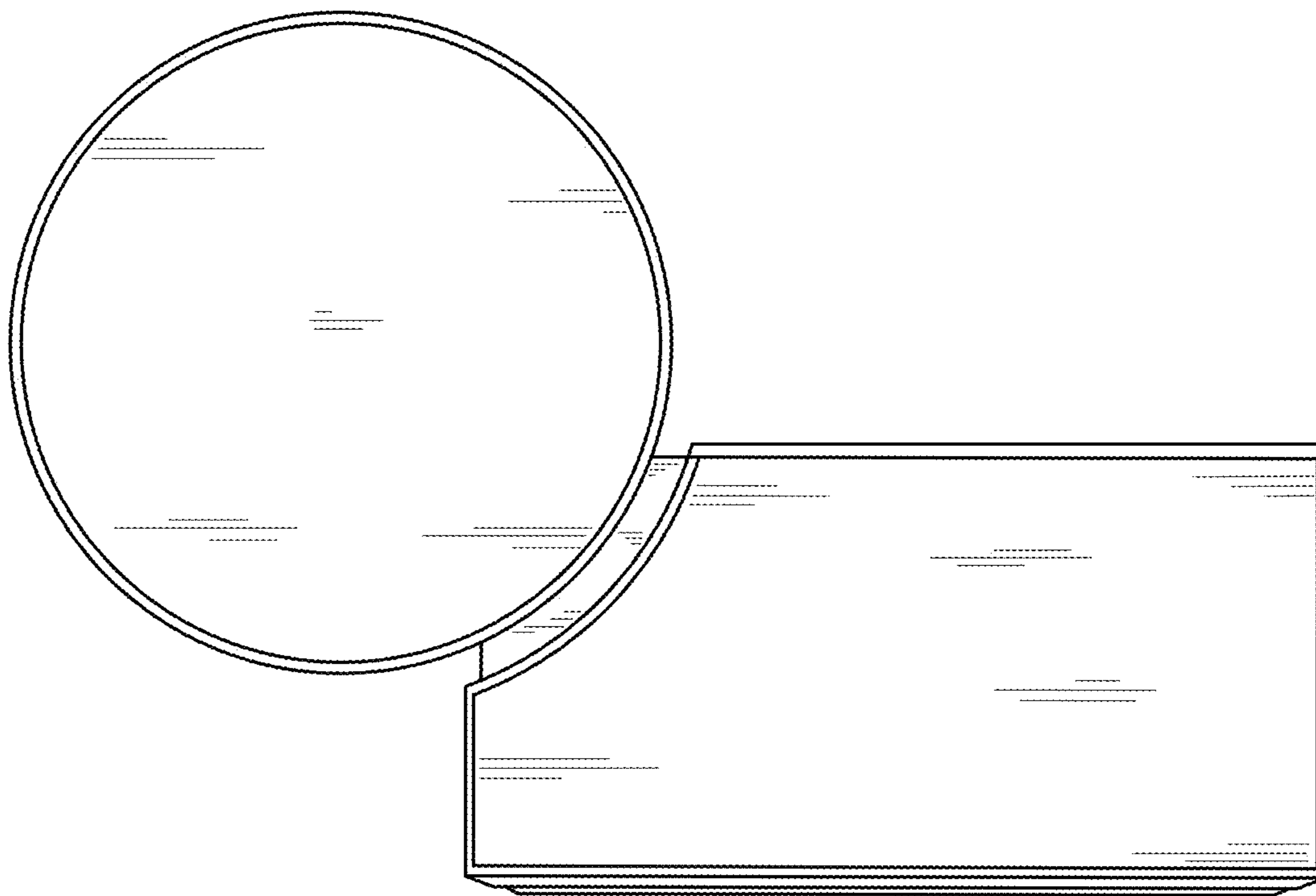


FIG. 2

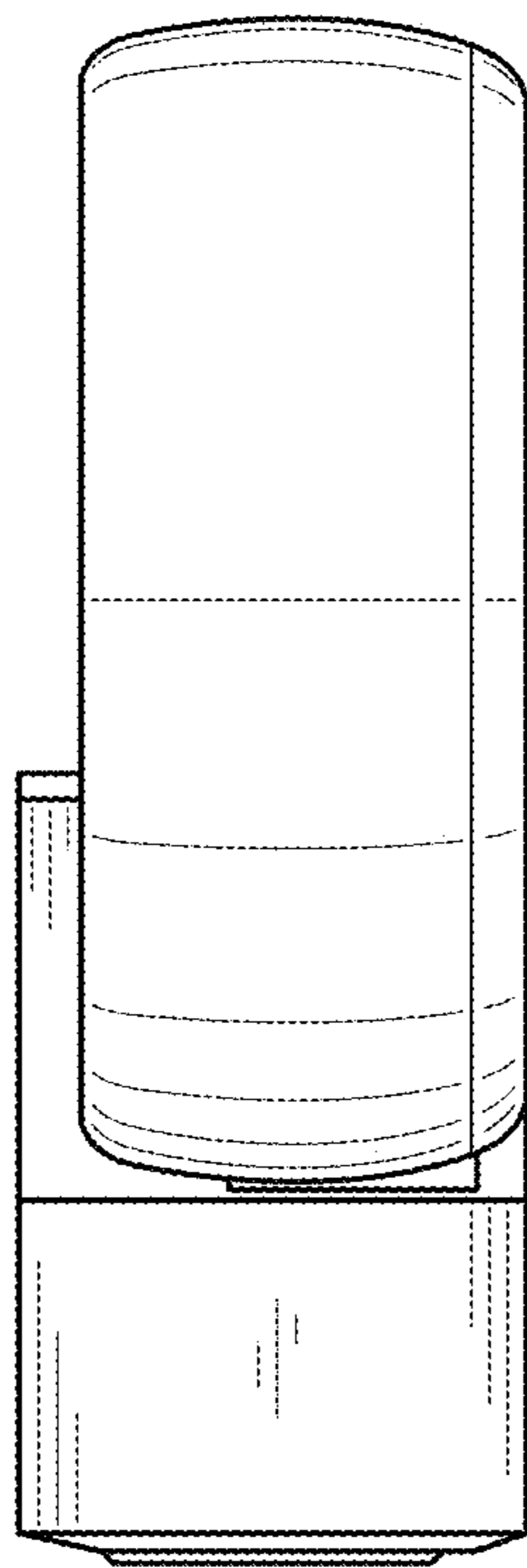


FIG. 3

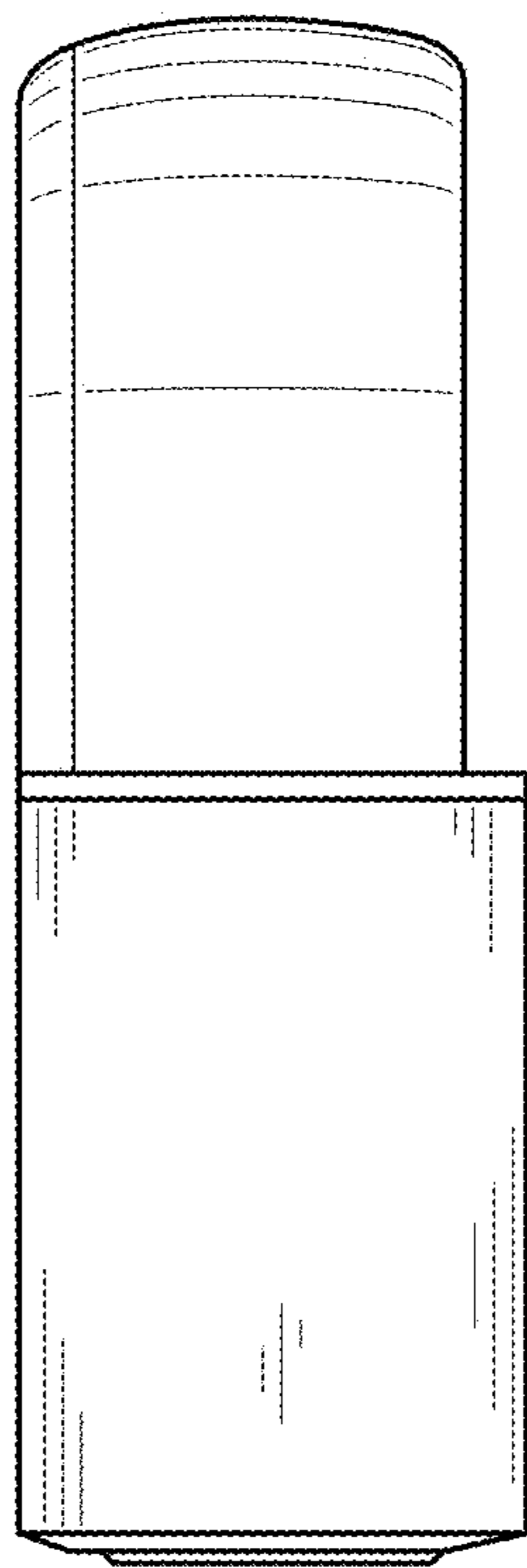


FIG. 4

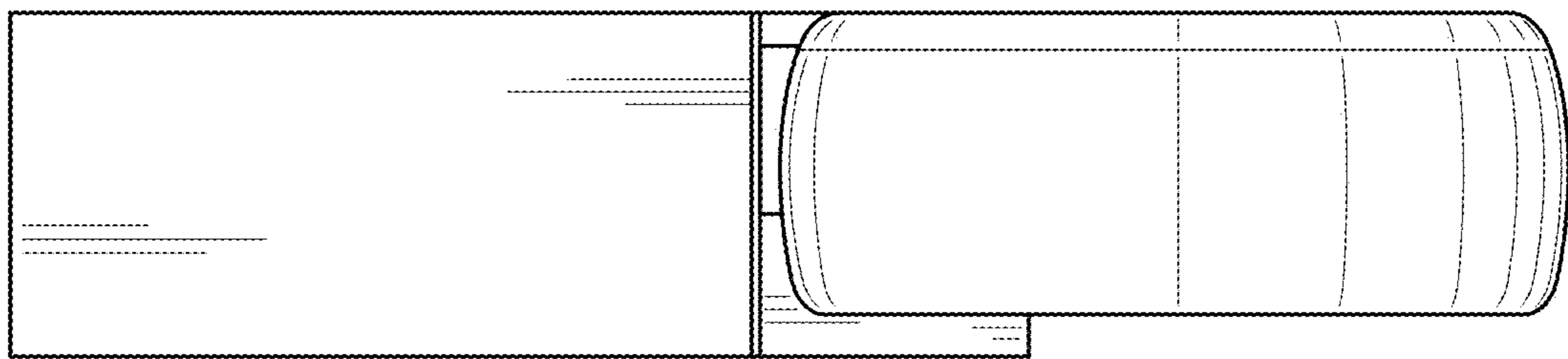


FIG. 5

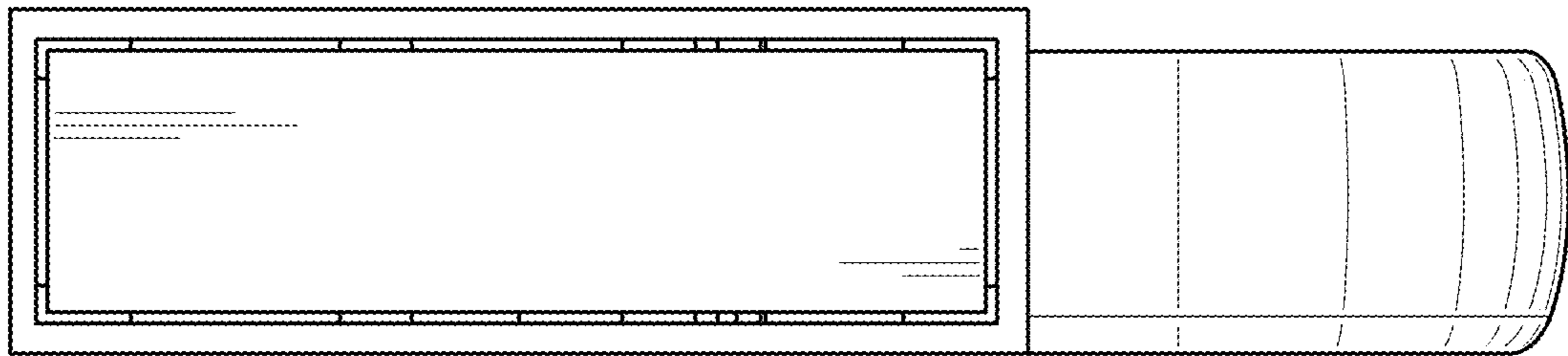


FIG. 6

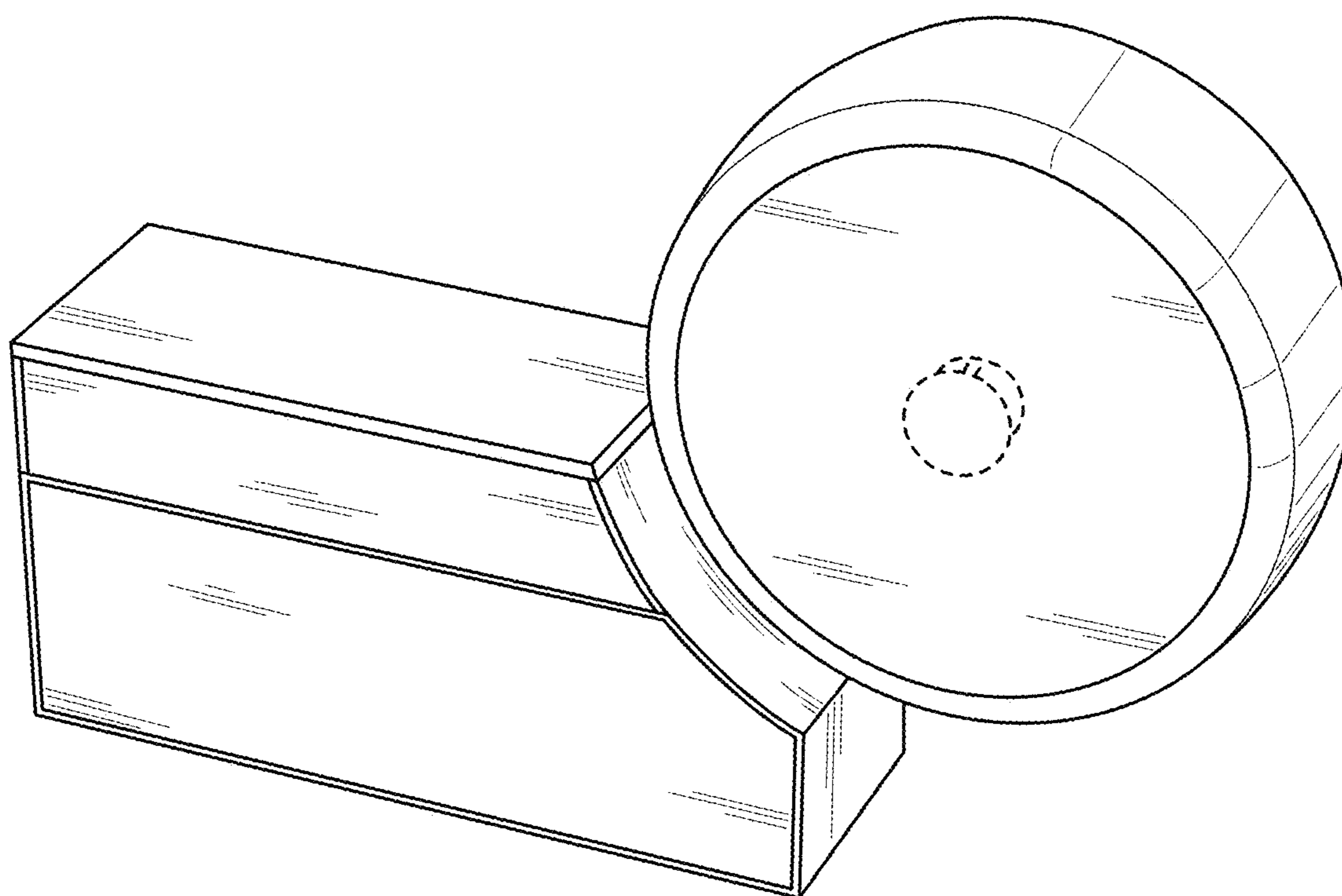


FIG. 7