



US00D930802S

(12) **United States Design Patent** (10) **Patent No.:** **US D930,802 S**
Huang et al. (45) **Date of Patent:** **** Sep. 14, 2021**

(54) **JOINT FOR ABOVE GROUND POOL FRAME**

D361,847 S 8/1995 Cetrulo
D417,918 S 12/1999 Mussa
D420,145 S 2/2000 Mussa

(71) Applicant: **Intex Marketing Ltd.**, Tortola (VG)

(Continued)

(72) Inventors: **Zhi Xiong Huang**, Xiamen (CN); **Ai Ming Tan**, Fujian (CN)

FOREIGN PATENT DOCUMENTS

(73) Assignee: **Intex Marketing Ltd.**, Tortola (VG)

CN 2195595 Y 4/1995
CN 2480479 Y 3/2002

(**) Term: **15 Years**

(Continued)

(21) Appl. No.: **29/708,749**

OTHER PUBLICATIONS

(22) Filed: **Oct. 9, 2019**

Summer <https://www.amazon.com/Summer-Waves-Premium-Swimming-Accessory/dp/B07BXC85HG/> (Year: 2018).*

(30) **Foreign Application Priority Data**

(Continued)

Apr. 12, 2019 (CN) 201920498611.1
Sep. 10, 2019 (CN) 201930497969.8

Primary Examiner — Karen S Acker

Assistant Examiner — Jonathan Emil Fiencke

(51) **LOC (13) Cl.** **23-04**

(74) *Attorney, Agent, or Firm* — Faegre Drinker Biddle & Reath LLP

(52) **U.S. Cl.**

(57) **CLAIM**

USPC **D23/363**

The ornamental design for a joint for above ground pool frame, as shown and described.

(58) **Field of Classification Search**

DESCRIPTION

USPC D23/262, 263, 266, 230, 301, 305, 364
CPC E04H 4/0043; E04H 4/005; E04H 4/0031;
E04H 2004/0068; E04H 2004/147
See application file for complete search history.

FIG. 1 is a front perspective view of a joint for above ground pool frame showing our new design;
FIG. 2 is a front elevational view thereof;
FIG. 3 is a rear elevational view thereof;
FIG. 4 is a left side elevational view thereof;
FIG. 5 is a right side elevational view thereof;
FIG. 6 is a top plan view thereof; and,
FIG. 7 is a bottom plan view thereof.

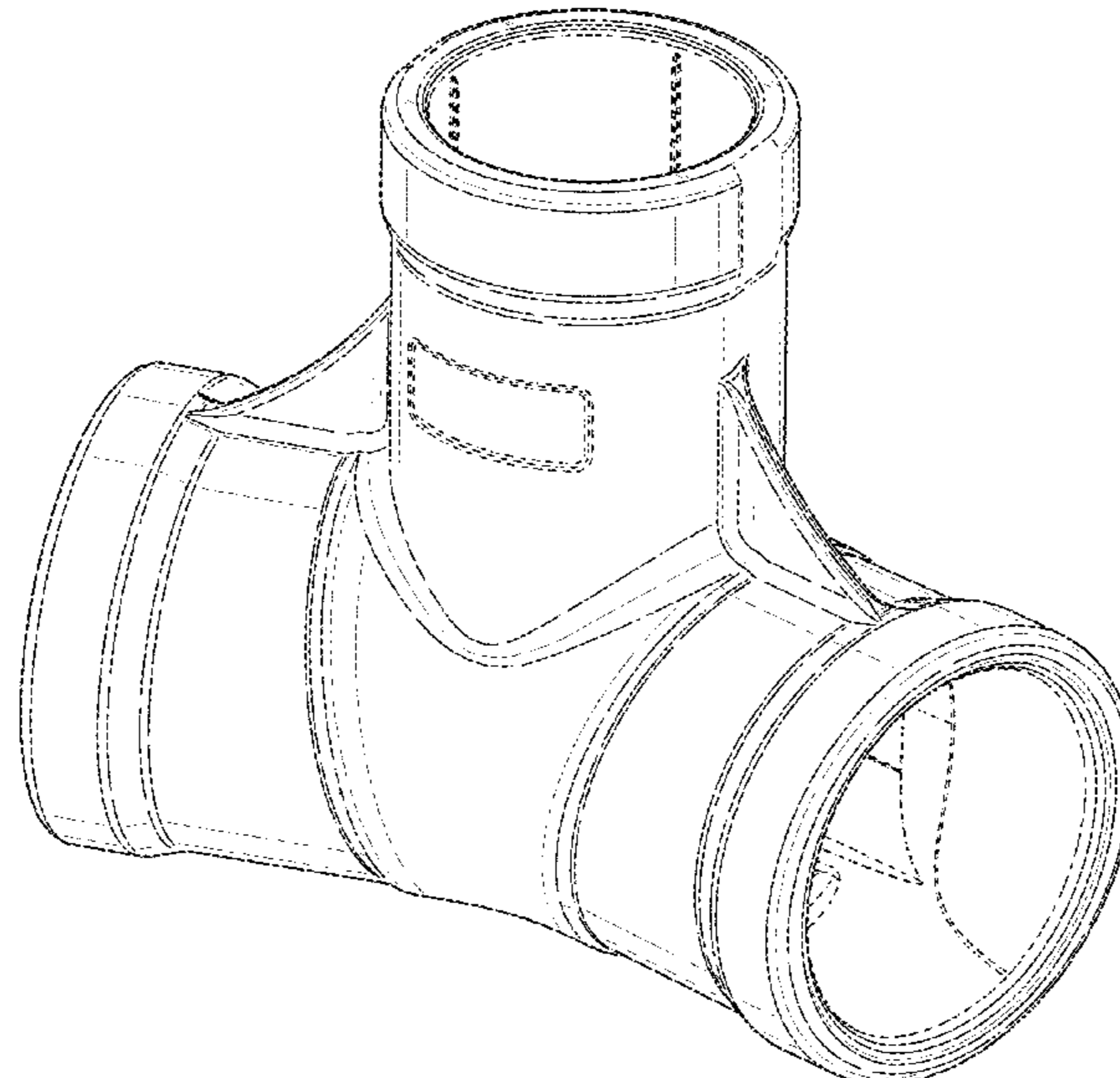
(56) **References Cited**

The long-short broken lines within the openings depict boundaries that form no part of the claimed design. The evenly-sized broken lines depict portions of the joint for above ground pool frame that form no part of the claimed design.

U.S. PATENT DOCUMENTS

D174,950 S 6/1955 Fishberg
3,225,362 A 12/1965 Barrera
3,654,640 A 4/1972 Katzman
3,877,491 A * 4/1975 Thastrup F16K 27/006
138/149
4,323,319 A 4/1982 Adams
D304,486 S * 11/1989 Elder D23/233
5,054,135 A 10/1991 Dallaire et al.
5,143,476 A 9/1992 Pruis
D343,889 S * 2/1994 Stonecypher D23/263
D348,723 S * 7/1994 Carroll D23/263

1 Claim, 7 Drawing Sheets



(56)

References Cited

U.S. PATENT DOCUMENTS

D420,146 S 2/2000 Mussa
 6,079,894 A 6/2000 Obitts
 6,272,696 B1 8/2001 Sobel et al.
 D454,940 S * 3/2002 Hoenig D23/259
 D472,648 S 4/2003 Linsley
 6,604,250 B1 8/2003 Lee
 D495,434 S 8/2004 Cooper
 6,803,007 B2 10/2004 Meggiolan
 D504,523 S 4/2005 Gimpel
 D567,394 S 4/2008 Pena
 D580,530 S * 11/2008 McAlpine D23/268
 D626,405 S 11/2010 Goad
 D654,353 S 2/2012 Tabler
 D707,366 S 6/2014 Rowland
 D755,940 S * 5/2016 Schulze D23/266
 D759,889 S 6/2016 Seehof
 D760,425 S 6/2016 Seehof
 D770,599 S * 11/2016 Daughters D23/263
 D815,300 S 3/2018 Lin
 D900,286 S * 10/2020 Daughters D23/263
 2002/0042948 A1 4/2002 Lee
 2004/0118844 A1 6/2004 Bennett et al.
 2007/0068584 A1 * 3/2007 Murdock F16K 11/0873
 137/625.47
 2008/0314466 A1 * 12/2008 Cimberio F16K 27/067
 137/883
 2009/0205121 A1 8/2009 Cheng
 2010/0083437 A1 4/2010 Hui
 2014/0325751 A1 11/2014 Hake
 2015/0115186 A1 * 4/2015 Borland F16K 27/065
 251/152
 2016/0201348 A1 7/2016 Liu

2016/0222686 A1 8/2016 Liu
 2019/0032796 A1 * 1/2019 Di Monte F16K 5/12
 2019/0178275 A1 6/2019 Lin

FOREIGN PATENT DOCUMENTS

CN 200968073 Y 10/2007
 CN 101787807 * 10/2008 E04H 4/14
 CN 202745430 U 2/2013
 CN 204475913 * 7/2015 E04H 4/14
 CN 204475914 U 7/2015
 CN 209130364 U 7/2019
 FR 2774416 A1 8/1999

OTHER PUBLICATIONS

Best Way https://www.amazon.com/Steel-Pro-Frame-Pool-Set/dp/B00HZAMO7U/ref=sr_1_24?dchild=1&keywords=above+ground+frame+pool&qid=1605540738&sr=8-24 (Year: 2017).
 Kitlife Pool Cart <https://www.amazon.com/KITLIFE-Storage-Resistant-Cracking-Included/dp/B08B46LM5N/> (Year: 2018).
 International Search Report and Written Opinion received for PCT Patent Application No. PCT/IB2019/057831, dated Dec. 20, 2019, 9 pages.
 Intex, Ultra Frame Pool Owner's Manual, May 13, 2015, 17 pages, available at https://www.poolcenter.com/images/PDFs/IntexUltraFrameRound_manual.pdf.
 Intex, 2013 Above Ground Pools Catalogue, Copyright 2012, 13 pages.
<http://hardware-store-online.com/berater/intex-ultra-frame-pool-horizontal-beam#more-infos> Retrieved Jul. 31, 2017.

* cited by examiner

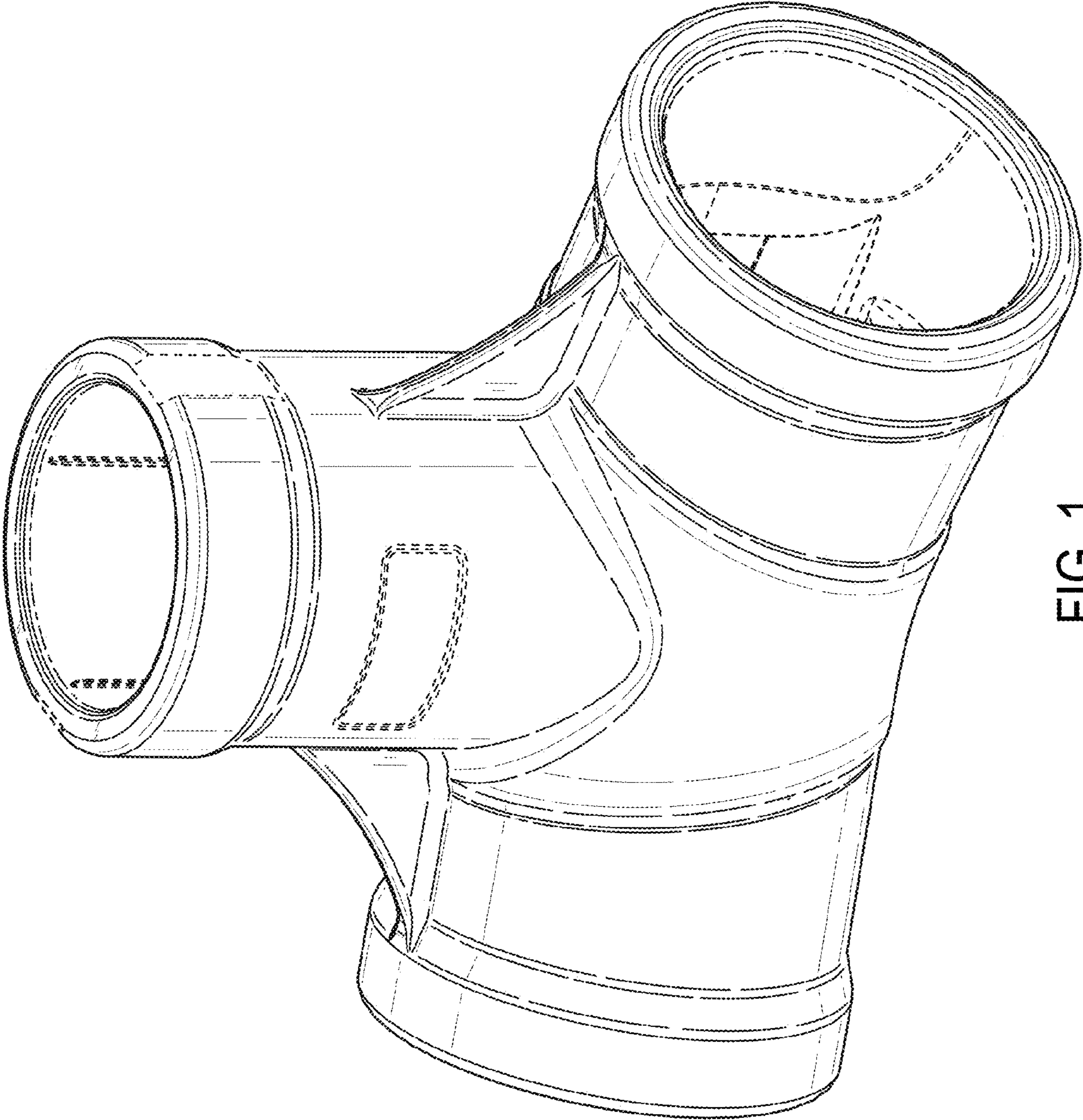


FIG. 1

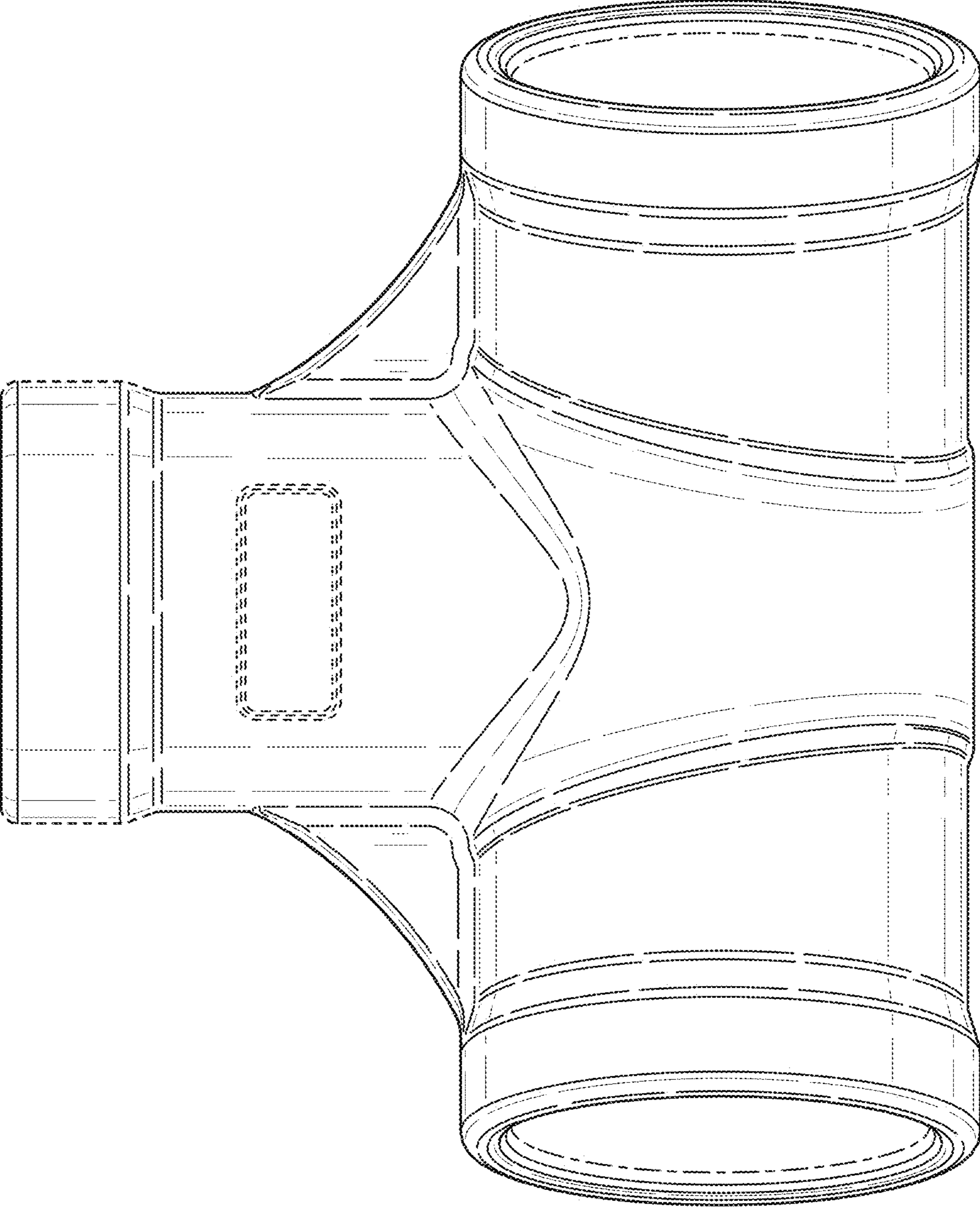


FIG. 2

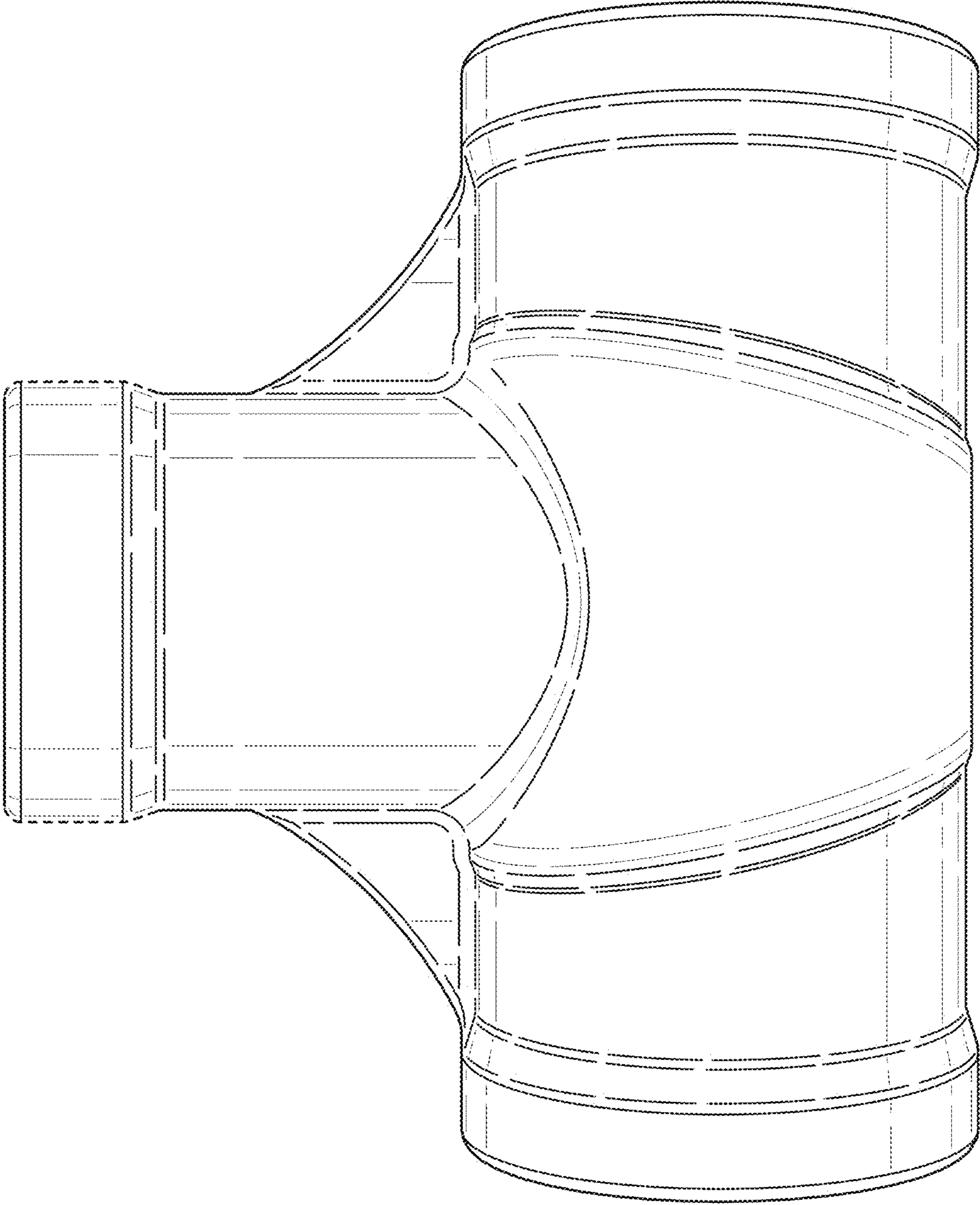


FIG. 3

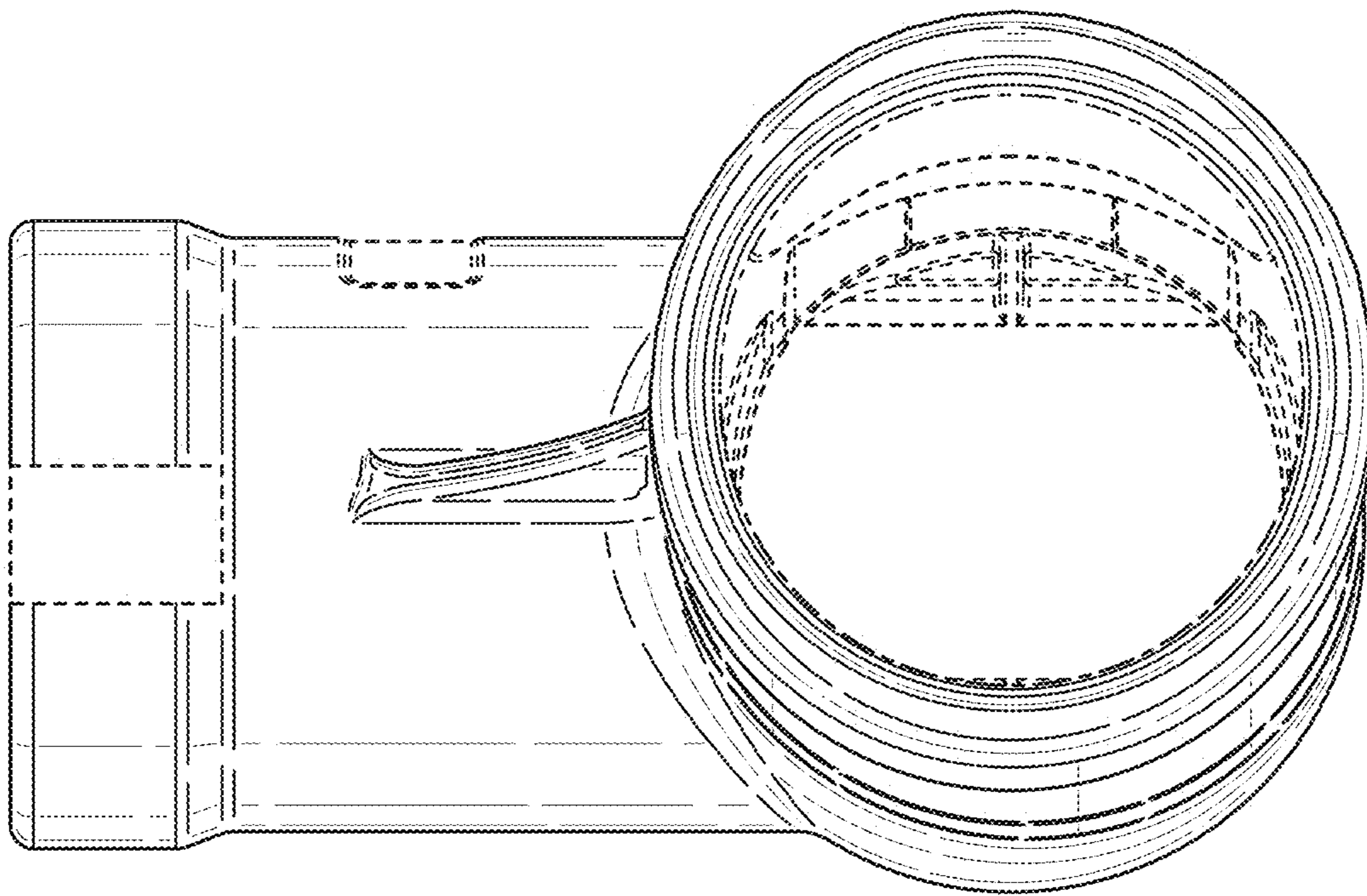


FIG. 4

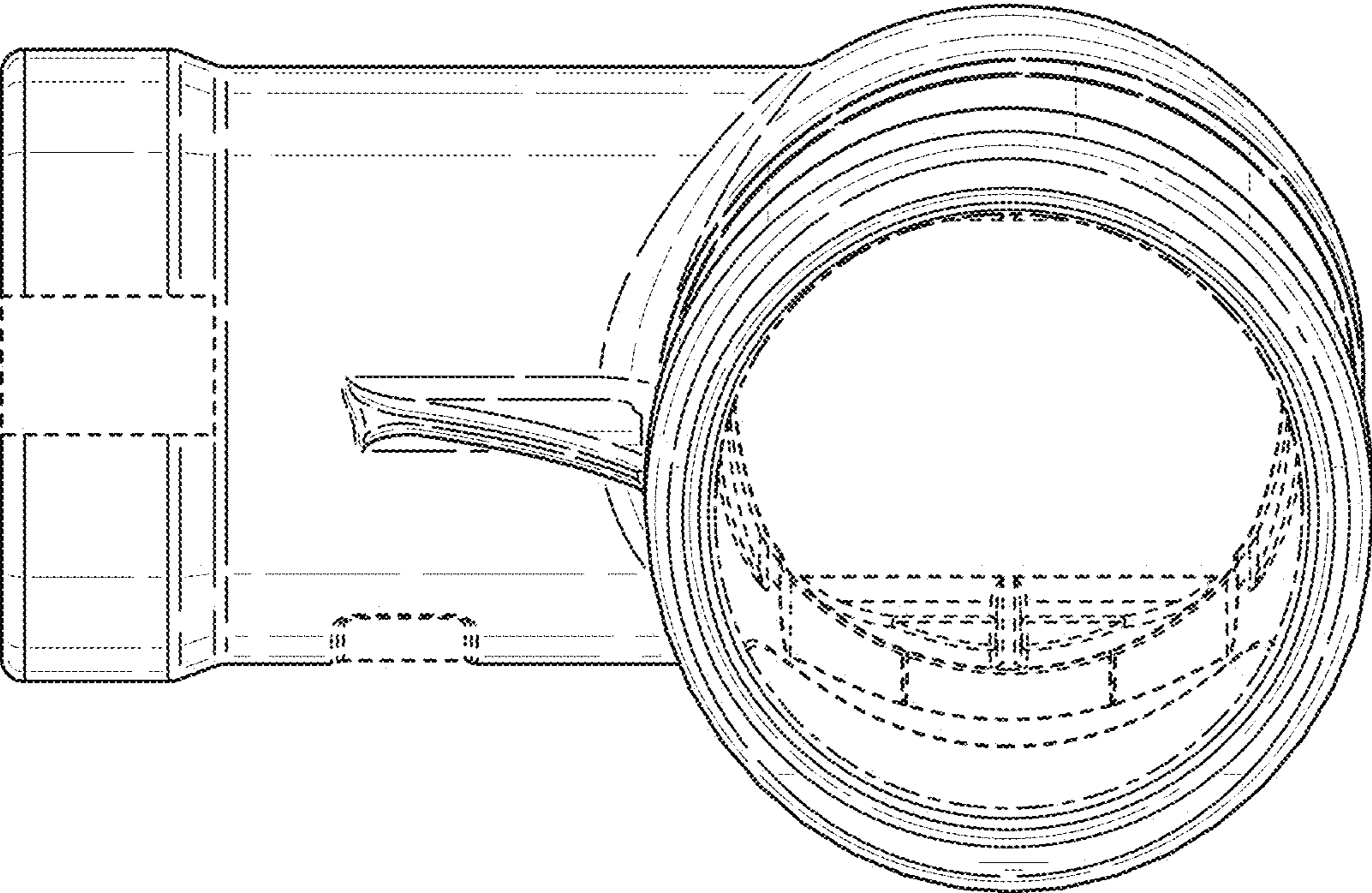


FIG. 5

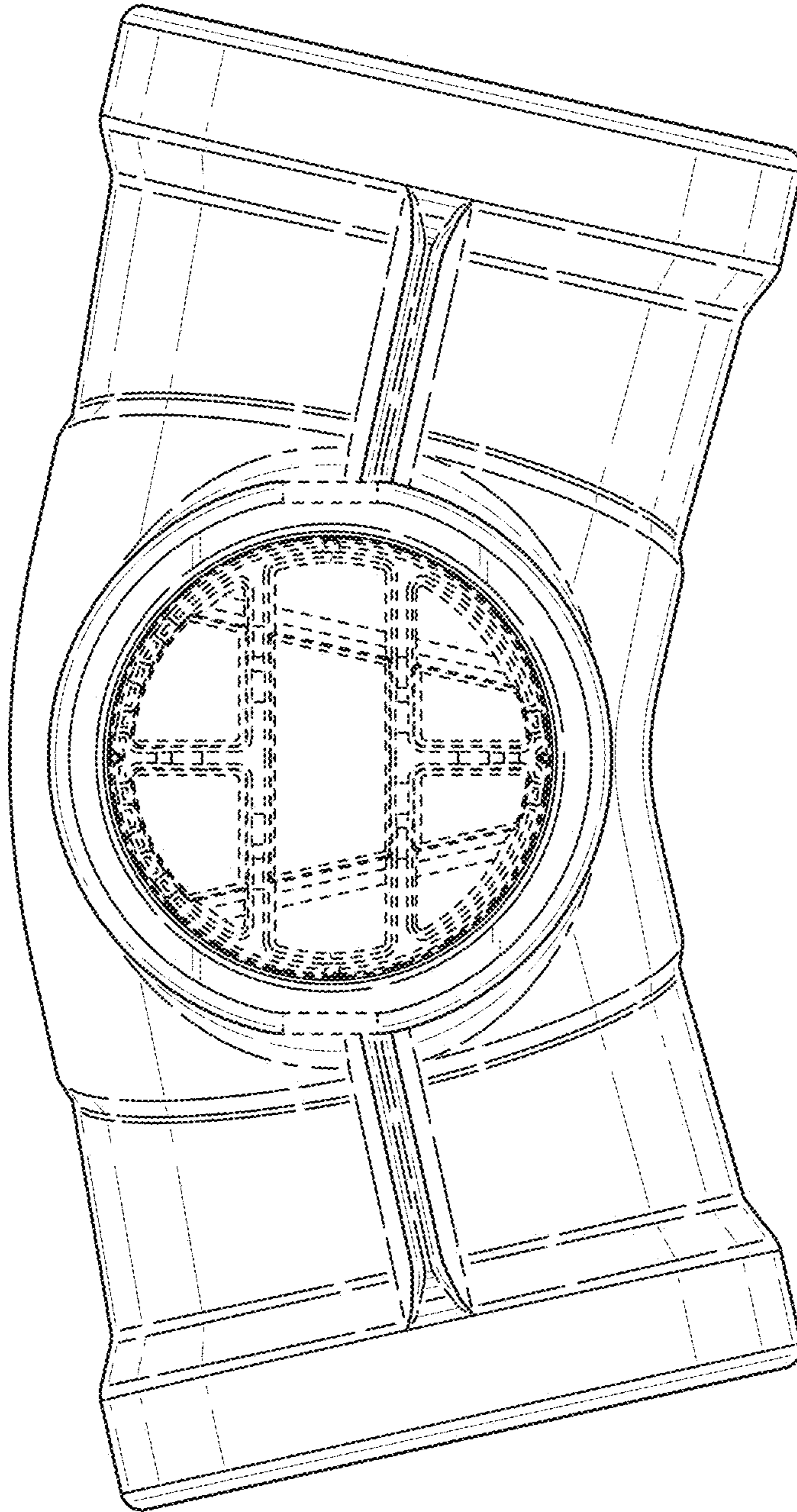


FIG. 6

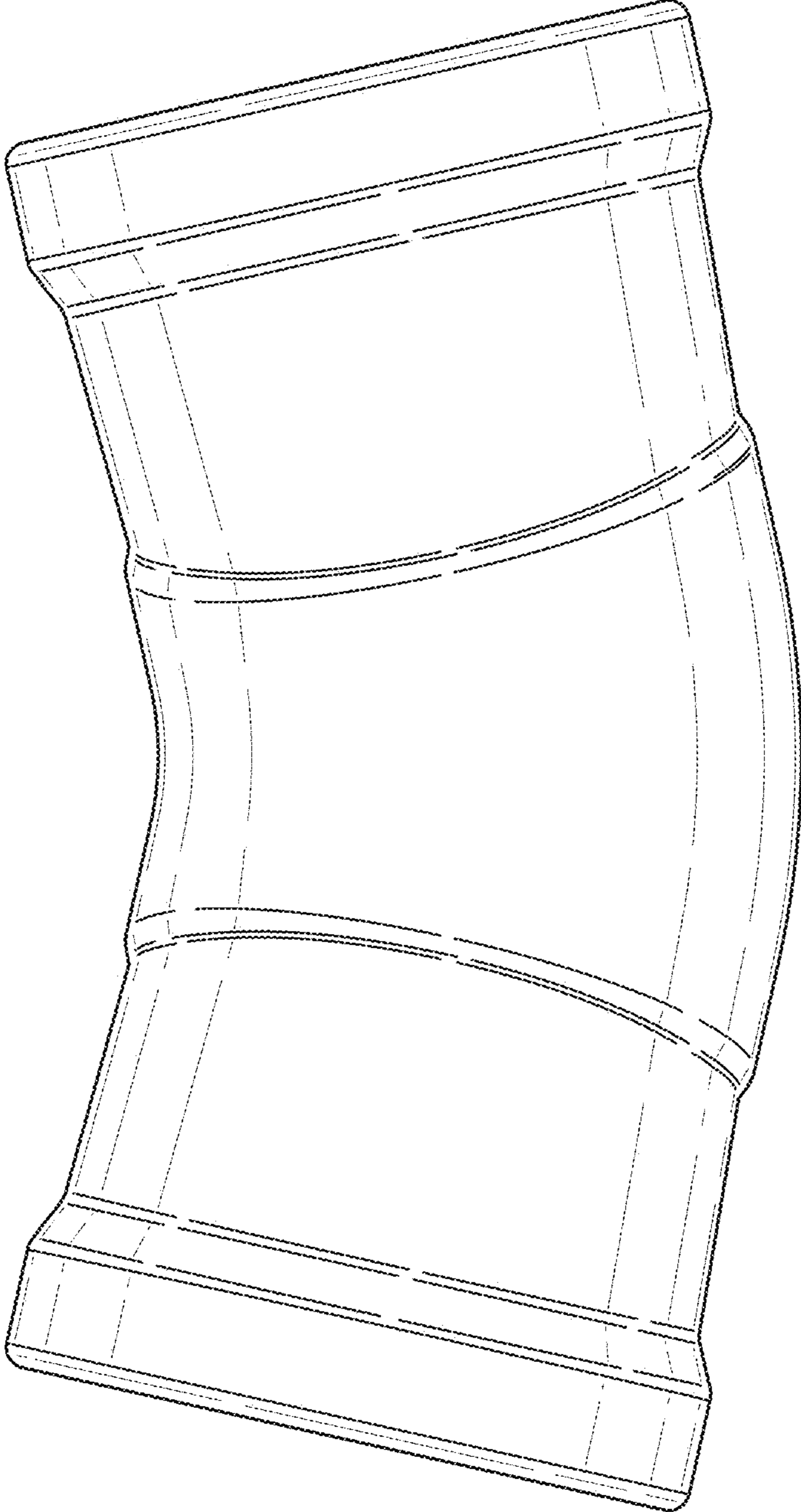


FIG. 7