



US00D930800S

(12) **United States Design Patent** (10) **Patent No.:** **US D930,800 S**
Moller et al. (45) **Date of Patent:** **** Sep. 14, 2021**

(54) **TOILET**

(71) Applicant: **Kohler Co.**, Kohler, WI (US)

(72) Inventors: **Adam M. Moller**, Grafton, WI (US);
Shawn J. Booth, Sheboygan, WI (US);
Richard C. Kong, Sheboygan, WI (US)

(73) Assignee: **Kohler Co.**, Kohler, WI (US)

(**) Term: **15 Years**

(21) Appl. No.: **29/692,253**

(22) Filed: **May 23, 2019**

(51) **LOC (13) Cl.** **23-02**

(52) **U.S. Cl.**
USPC **D23/313**

(58) **Field of Classification Search**
USPC D23/295, 300-301, 309, 313
See application file for complete search history.

(56) **References Cited**

U.S. PATENT DOCUMENTS

D309,939 S	8/1990	Yvetot	
D349,156 S	7/1994	Kohler, Jr. et al.	
D455,202 S	4/2002	Soulier	
D457,606 S *	5/2002	Moll	D23/301
D496,444 S	9/2004	Kergoet	
D508,116 S *	8/2005	Tani	D23/301
D594,944 S *	6/2009	Starck	D23/301
D653,315 S *	1/2012	Yoshioka	D23/301
D654,993 S *	2/2012	Ando	D23/301
D801,491 S	10/2017	Stevenson et al.	
D811,563 S *	2/2018	L'Henaff	D23/301

D858,723 S *	9/2019	Cummings	D23/301
D884,847 S *	5/2020	Otsuka	D23/301
2020/0393284 A1 *	12/2020	Hall	E03D 9/00

* cited by examiner

Primary Examiner — Robert A Delehanty
(74) *Attorney, Agent, or Firm* — Lempia Summerfield
Katz LLC

(57) **CLAIM**

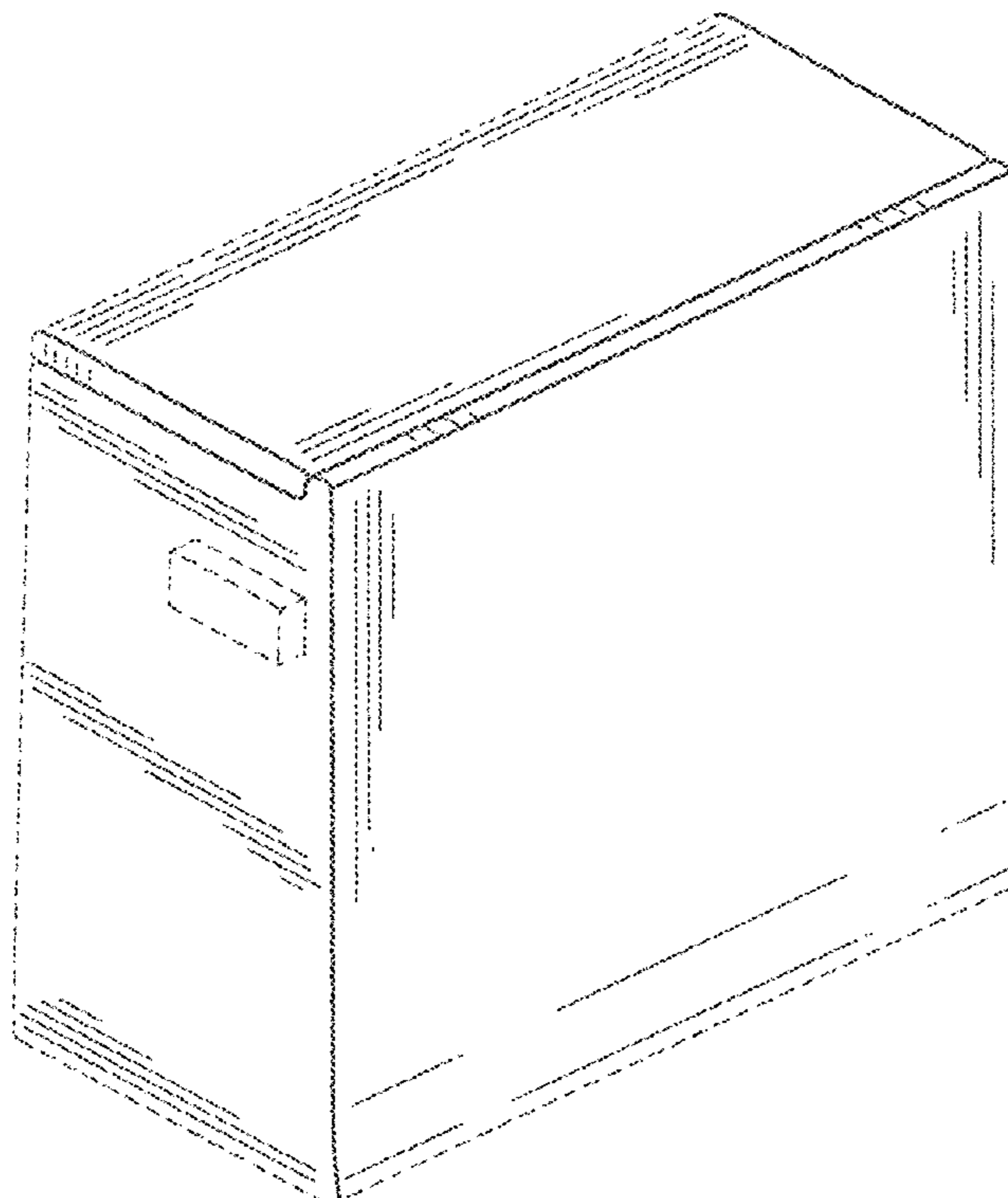
We claim the ornamental design for a toilet, as shown and described.

DESCRIPTION

FIG. 1 is a perspective view of another embodiment of the claimed design;
FIG. 2 is a front view of the claimed design shown in FIG. 1;
FIG. 3 is a rear view of the claimed design shown in FIG. 1;
FIG. 4 is a side view of the claimed design shown in FIG. 1;
FIG. 5 is another side view of the claimed design shown in FIG. 1;
FIG. 6 is a top view of the claimed design shown in FIG. 1; and,
FIG. 7 is a bottom view of the claimed design shown in FIG. 1.

The ornamental design which is claimed is shown in solid lines in the drawings. The broken lines in the drawings are for illustrative purposes only and form no part of the claimed design. Broken lines formed of unequal length dashes (i.e., dash-dot) define bounds of the claimed design.

1 Claim, 4 Drawing Sheets



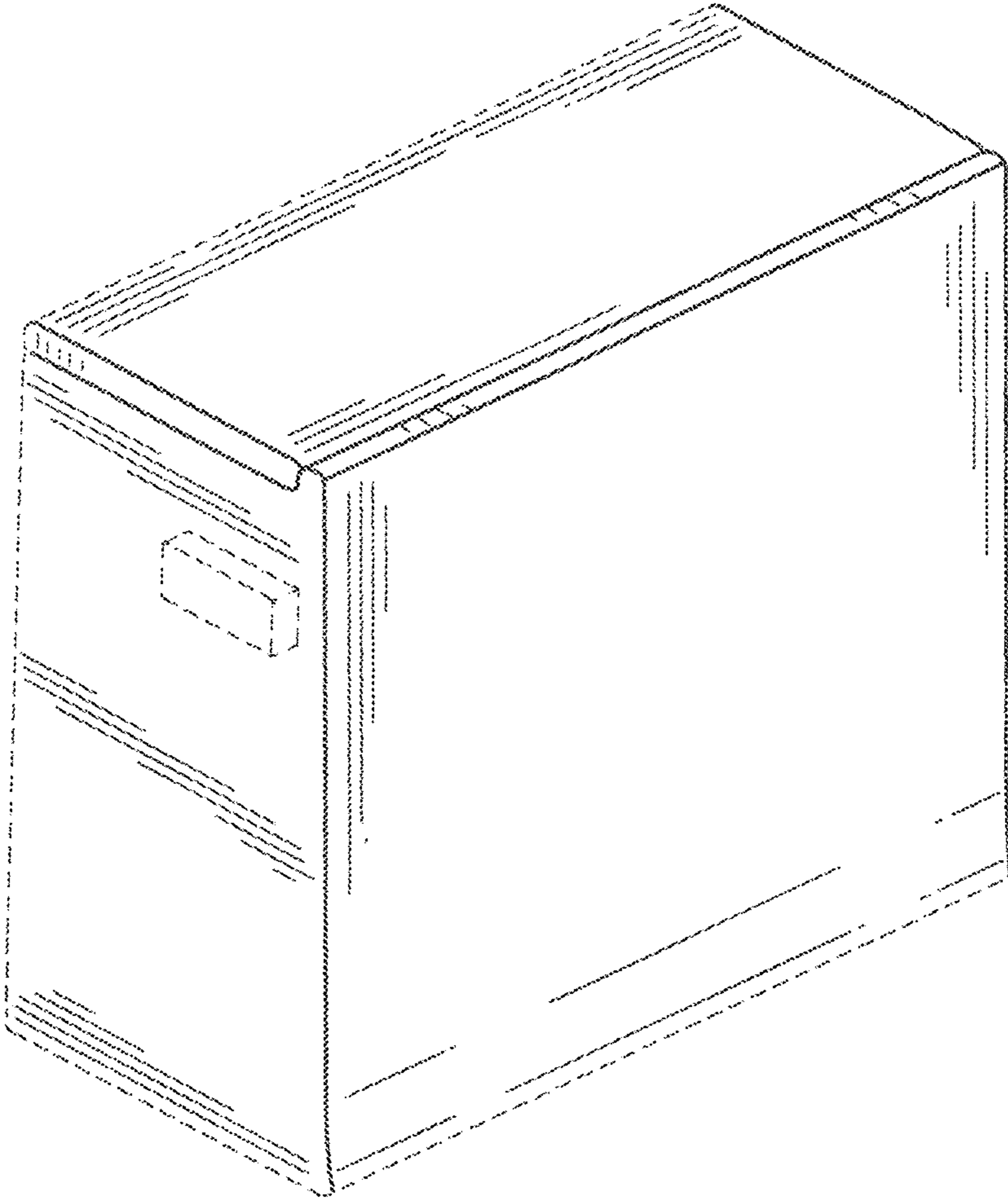


FIG. 1

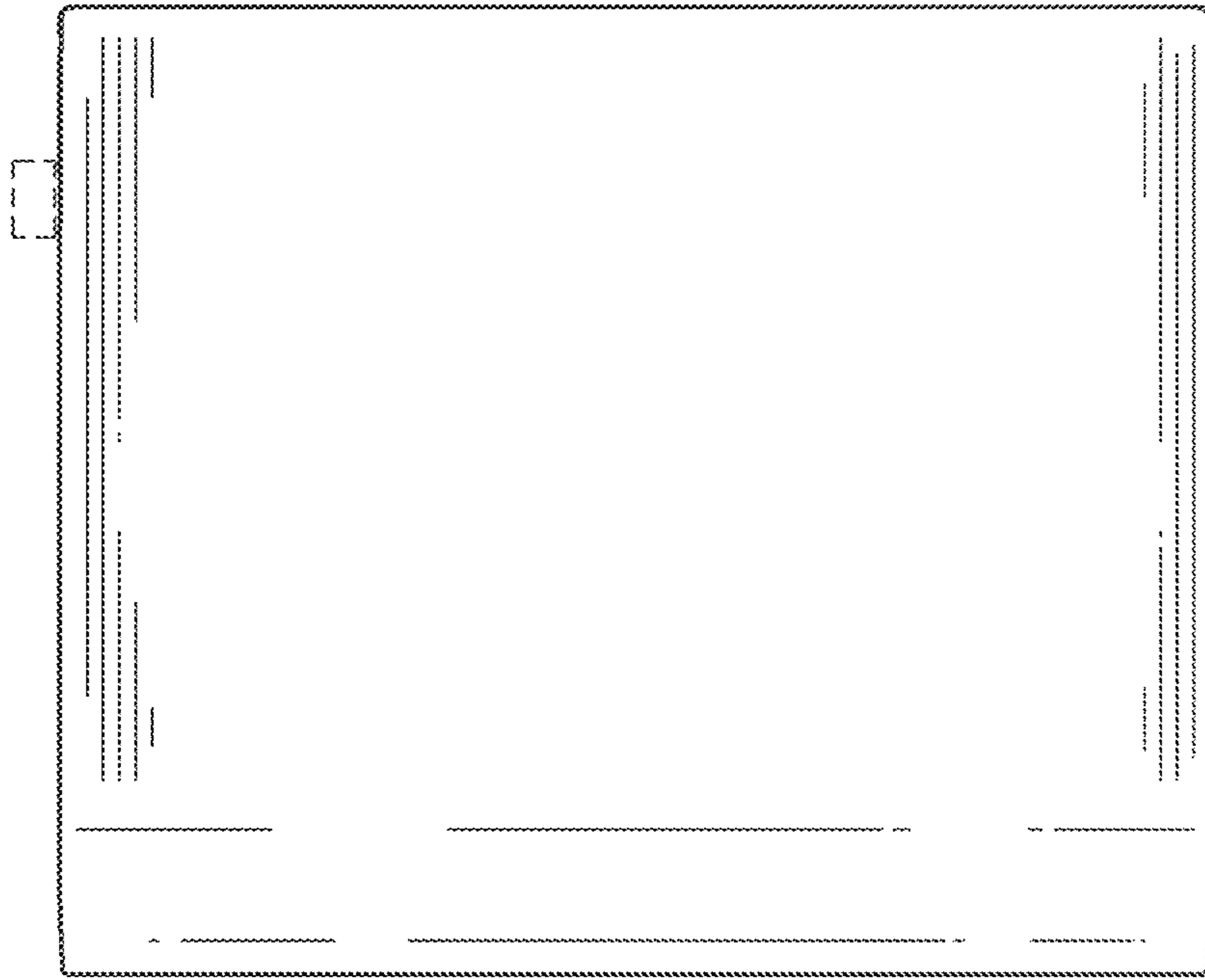


FIG. 2

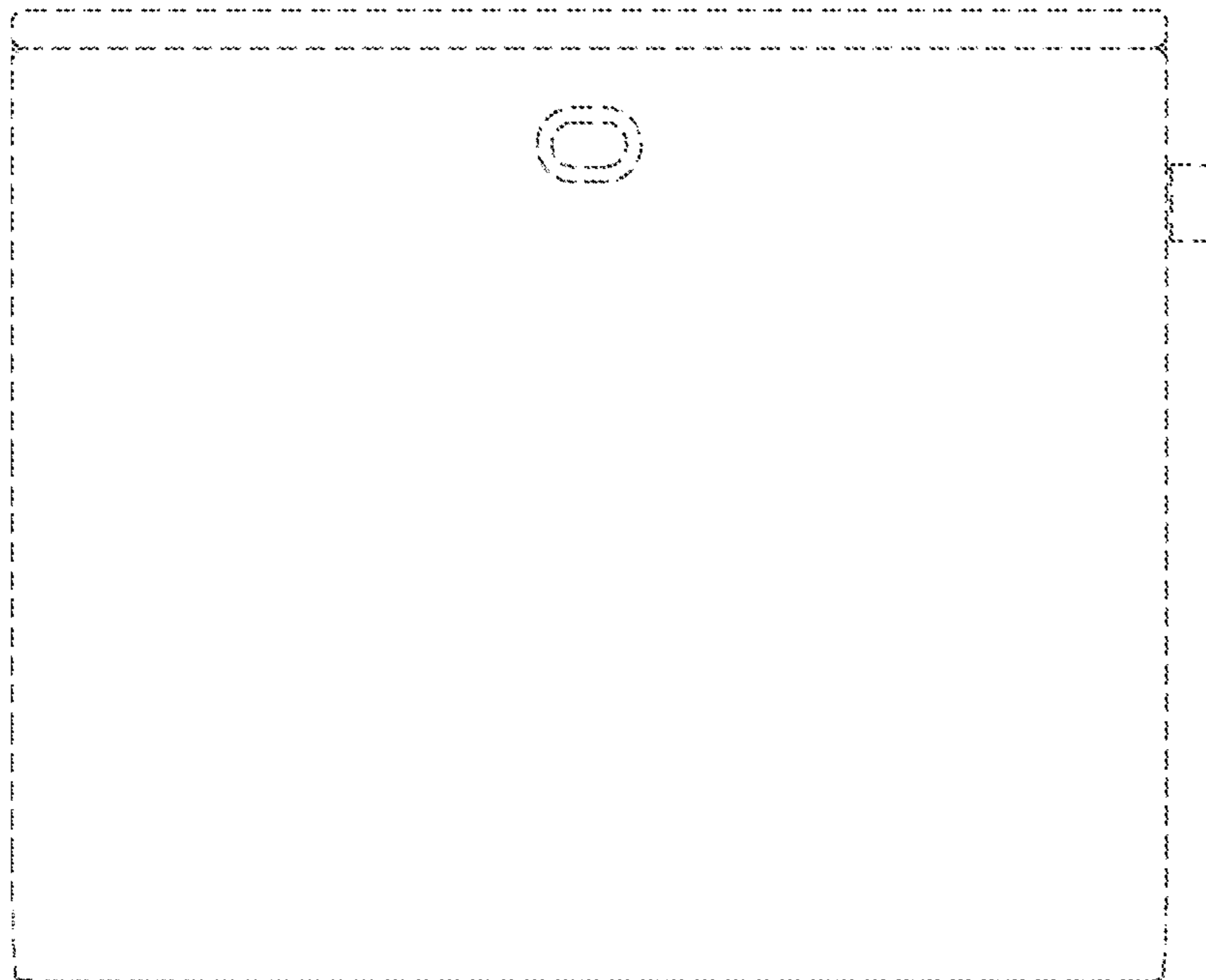


FIG. 3

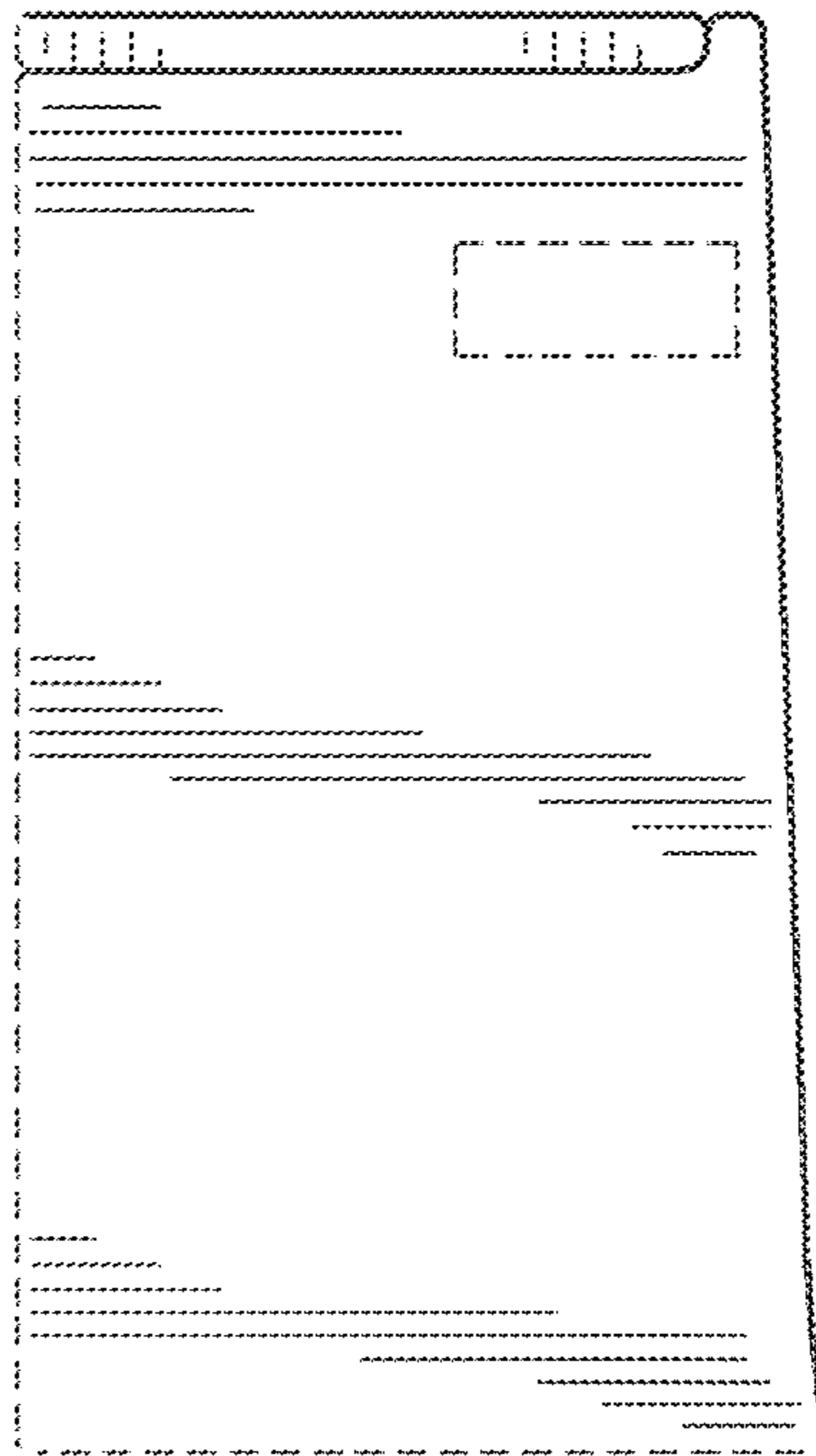


FIG. 4

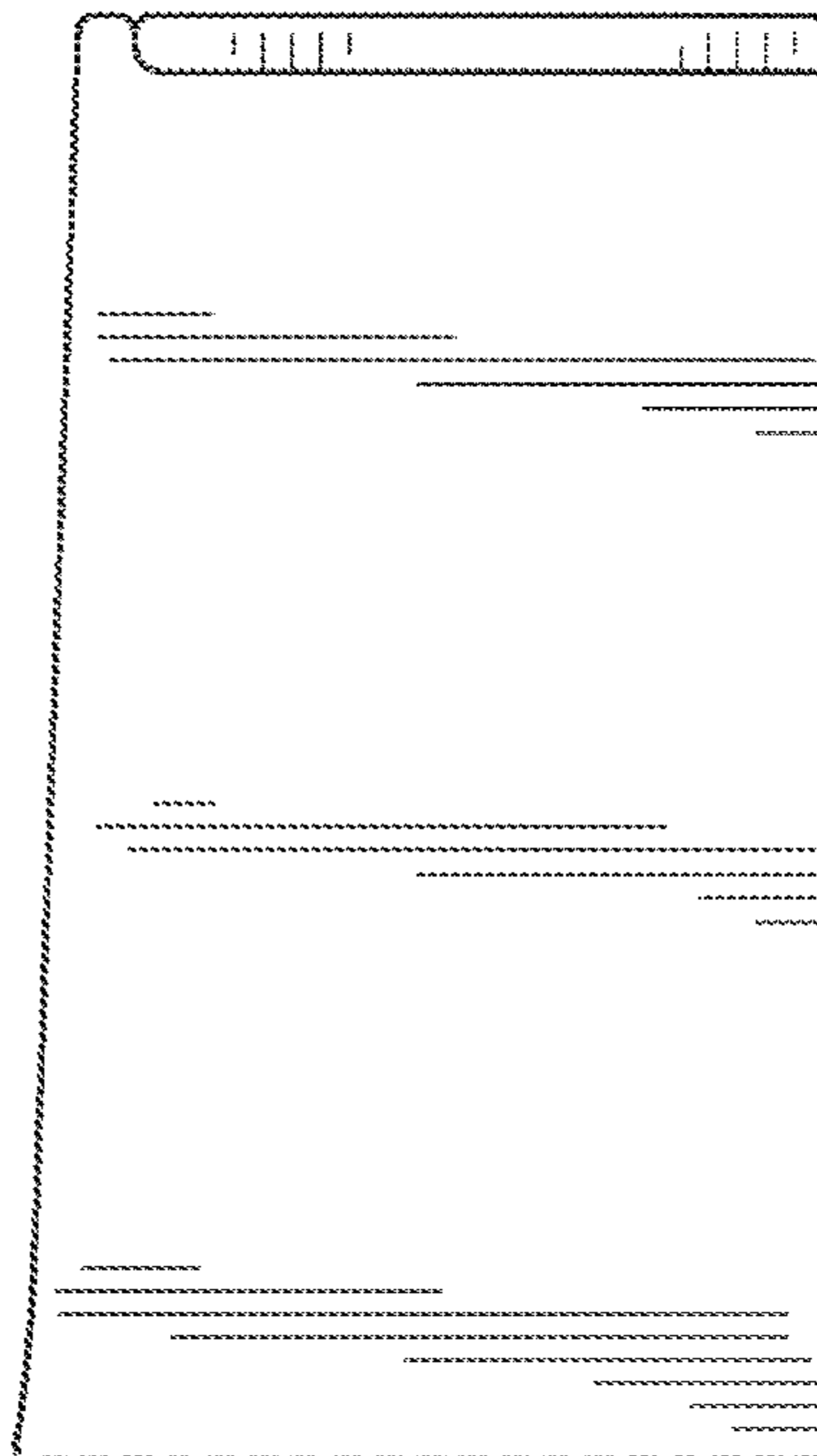


FIG. 5

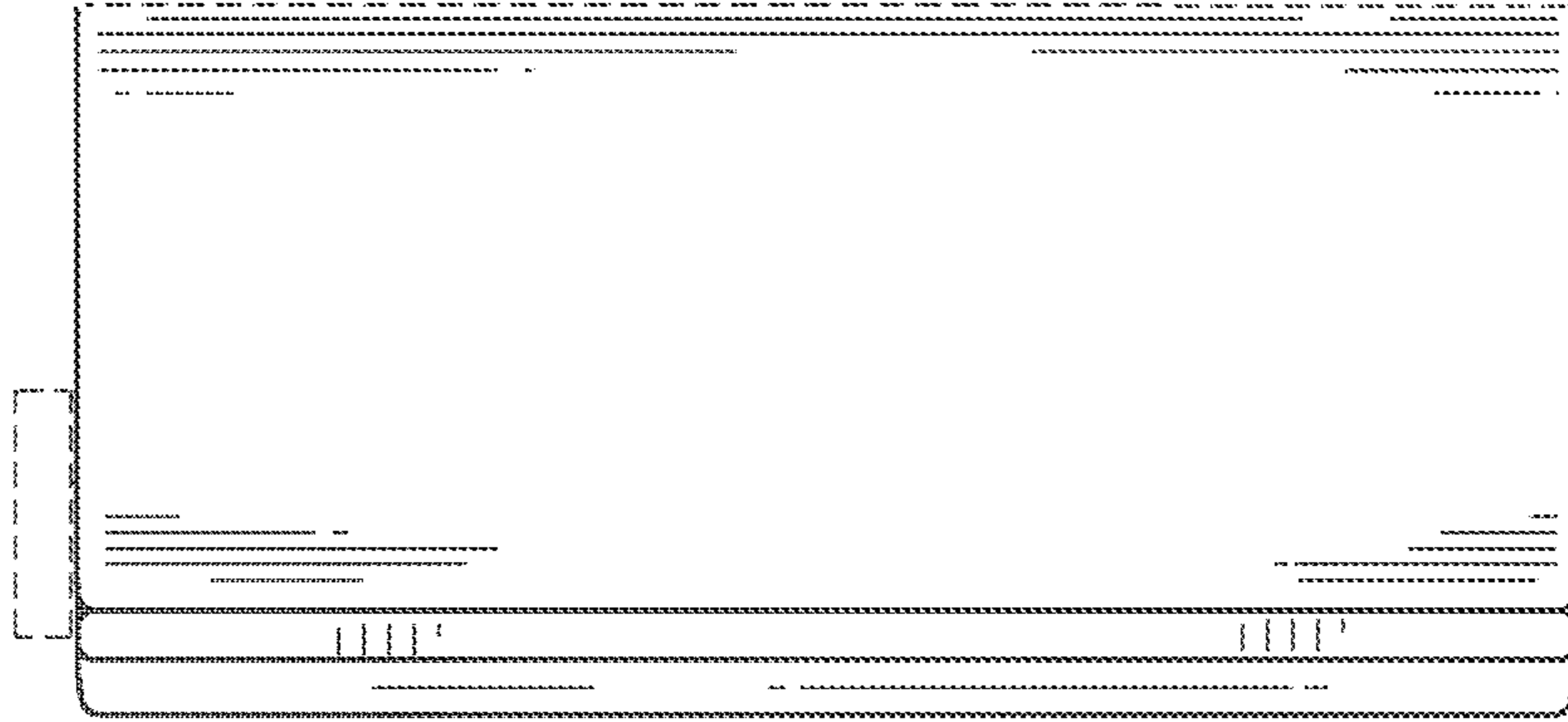


FIG. 6

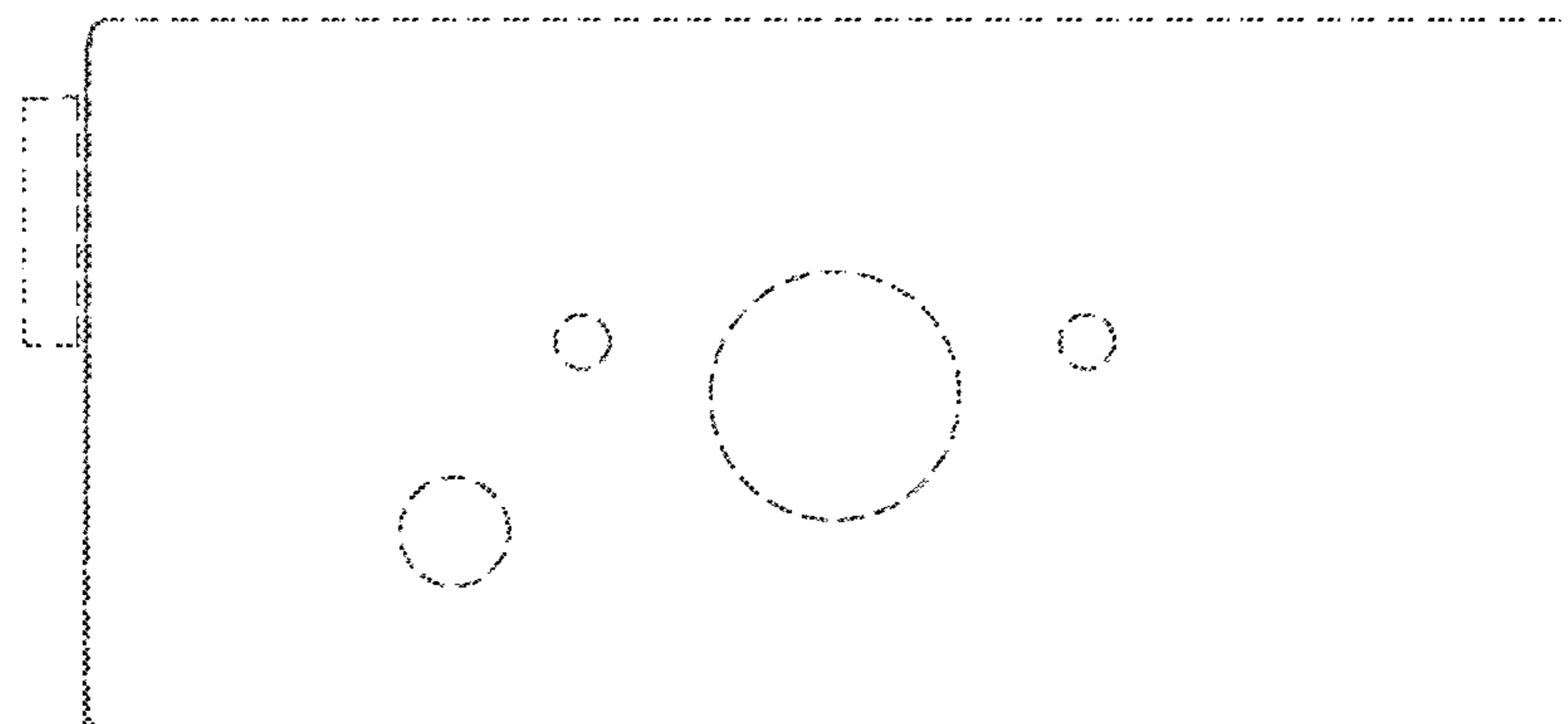


FIG. 7