



US00D930798S

(12) **United States Design Patent**
Liang et al.

(10) **Patent No.:** **US D930,798 S**

(45) **Date of Patent:** **** Sep. 14, 2021**

(54) **WATER SINK**

D867,555 S * 11/2019 Huang D23/284
D869,618 S * 12/2019 Walther D23/284

(71) Applicant: **GUANGDONG YINGAO KITCHEN
UTENSILS CO., LTD.**, Foshan (CN)

* cited by examiner

(72) Inventors: **Huakun Liang**, Foshan (CN); **Jiazhi
Chen**, Foshan (CN)

Primary Examiner — Robert A Delehanty

(73) Assignee: **GUANGDONG YINGAO KITCHEN
UTENSILS CO., LTD.**, Foshan (CN)

(57) **CLAIM**

(**) Term: **15 Years**

The ornamental design for a water sink, as shown and described.

(21) Appl. No.: **29/727,603**

DESCRIPTION

(22) Filed: **Mar. 12, 2020**

(51) **LOC (13) Cl.** **23-02**

(52) **U.S. Cl.**
USPC **D23/284**

(58) **Field of Classification Search**
USPC D23/284, 286–287, 290, 292, 293.1, 308
CPC A47K 1/04; A47B 77/06
See application file for complete search history.

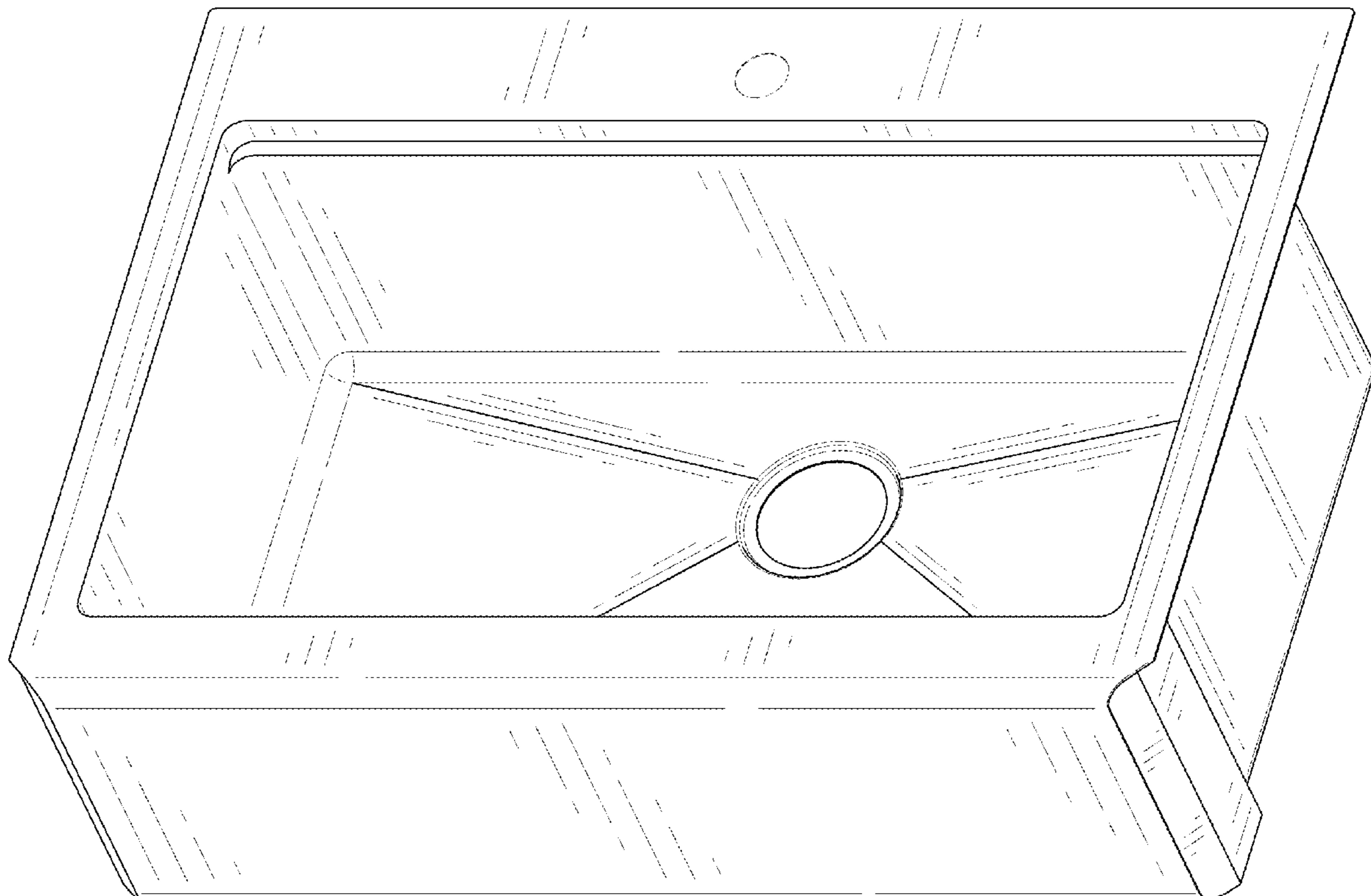
FIG. 1 is a perspective view of a water sink showing my new design;
FIG. 2 is another perspective view thereof;
FIG. 3 is a front elevational view thereof;
FIG. 4 is a rear elevational view thereof;
FIG. 5 is a left side elevational view thereof;
FIG. 6 is a right side elevational view thereof;
FIG. 7 is a top plan view thereof; and,
FIG. 8 is a bottom plan view thereof.
The broken lines in the drawings depict boundaries of the water sink that form no part of the claimed design.

(56) **References Cited**

U.S. PATENT DOCUMENTS

10,151,085 B2 * 12/2018 Chong E03C 1/18

1 Claim, 8 Drawing Sheets



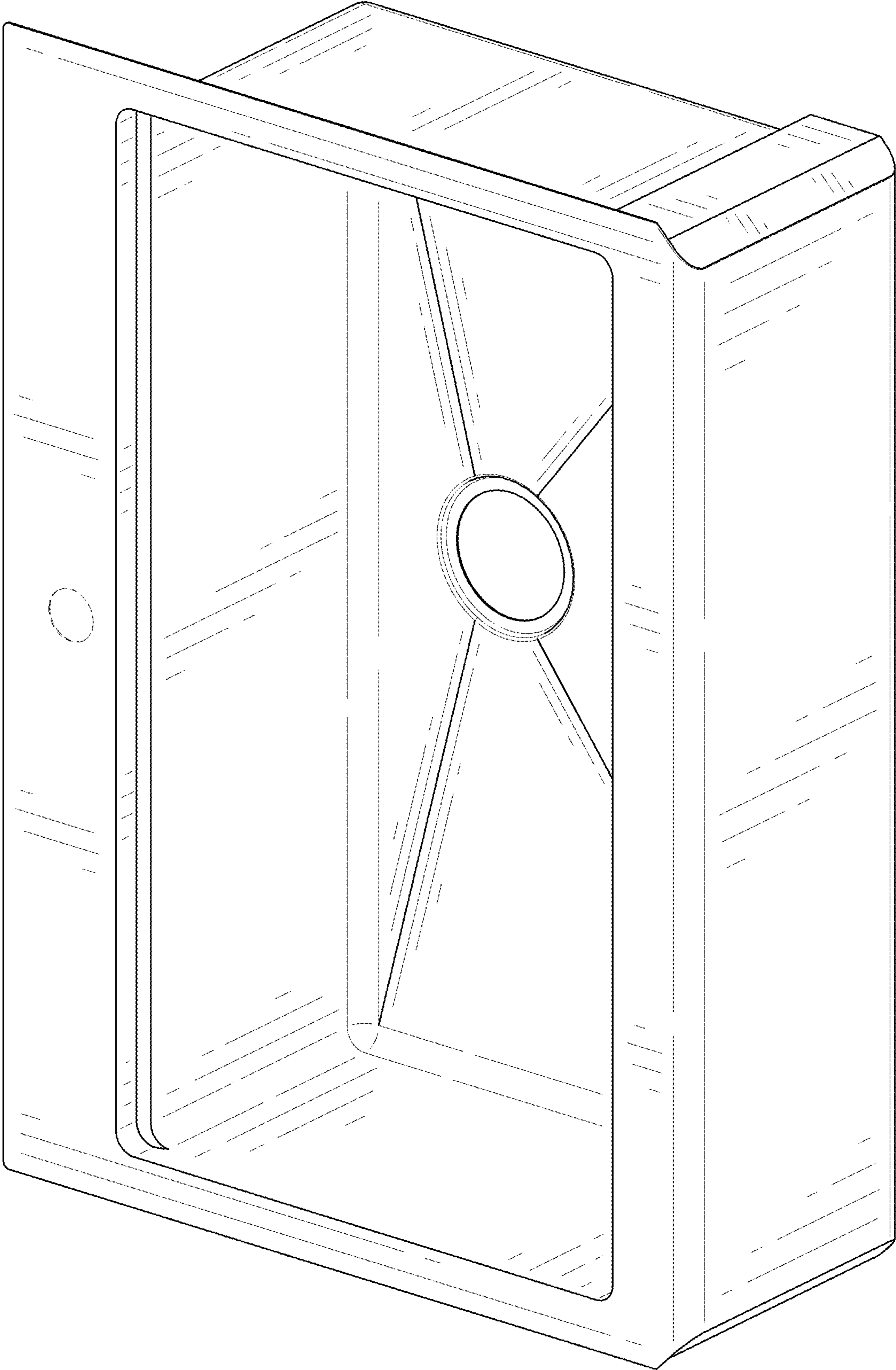


FIG. 1

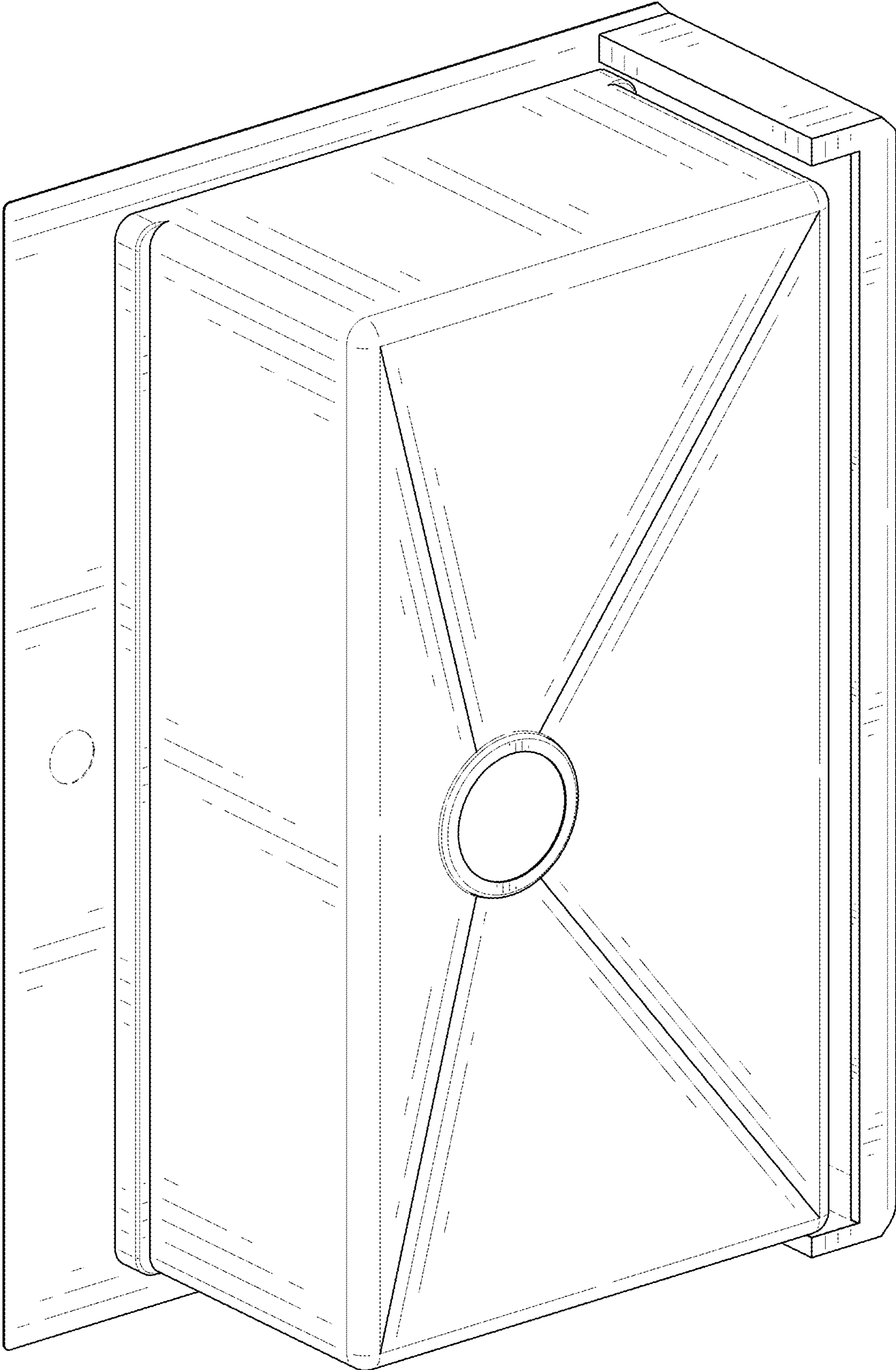


FIG. 2

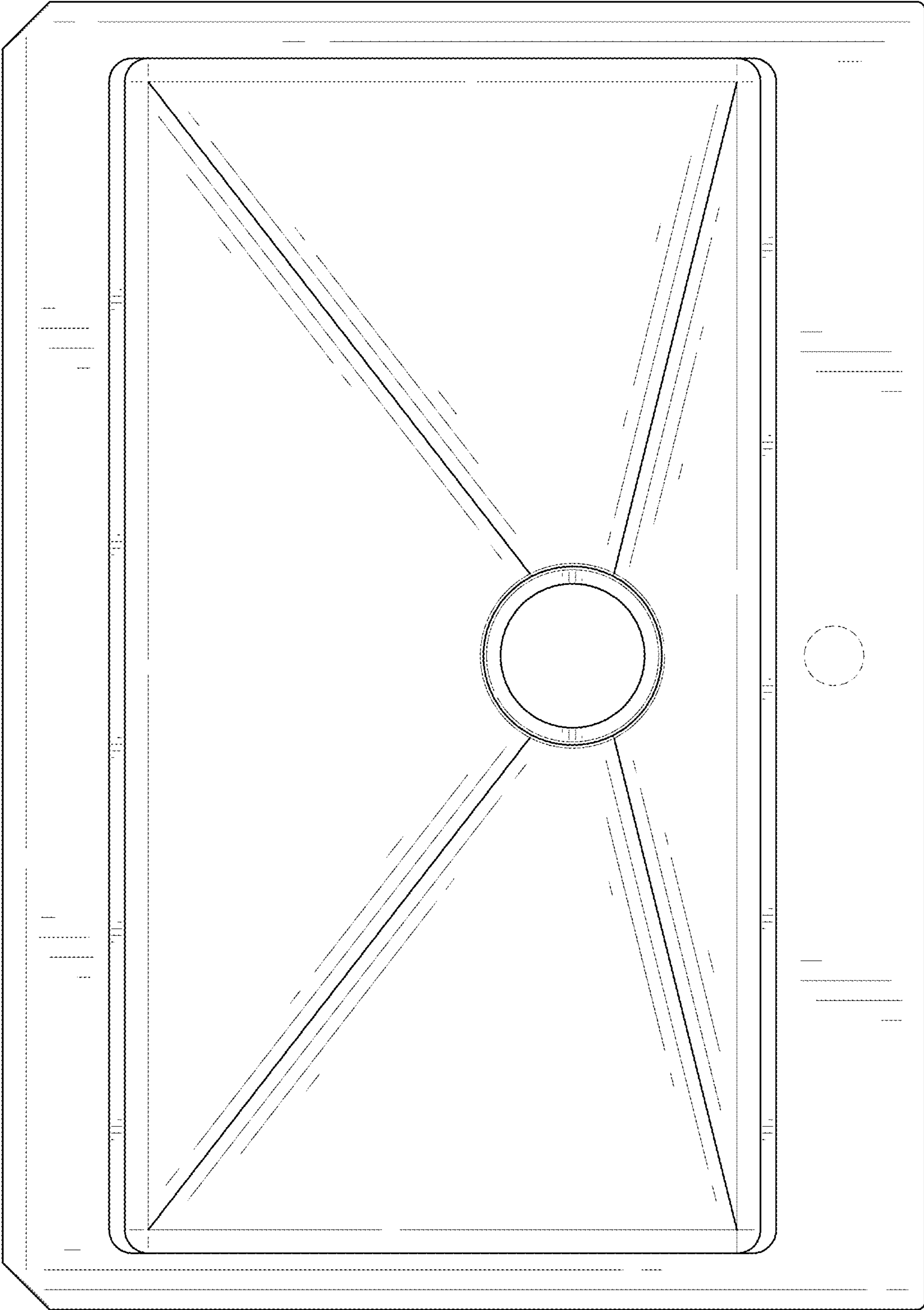


FIG. 3

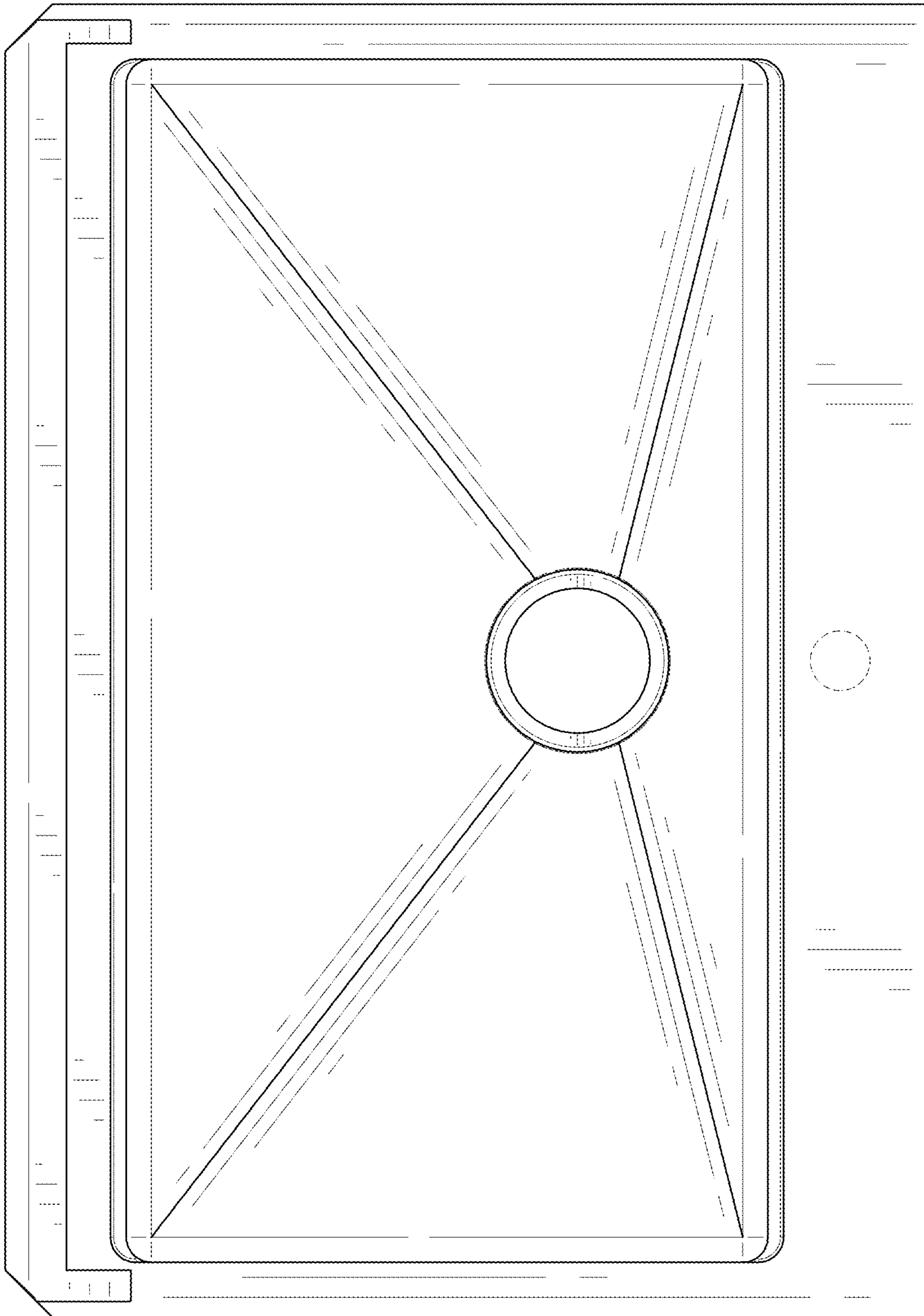


FIG. 4

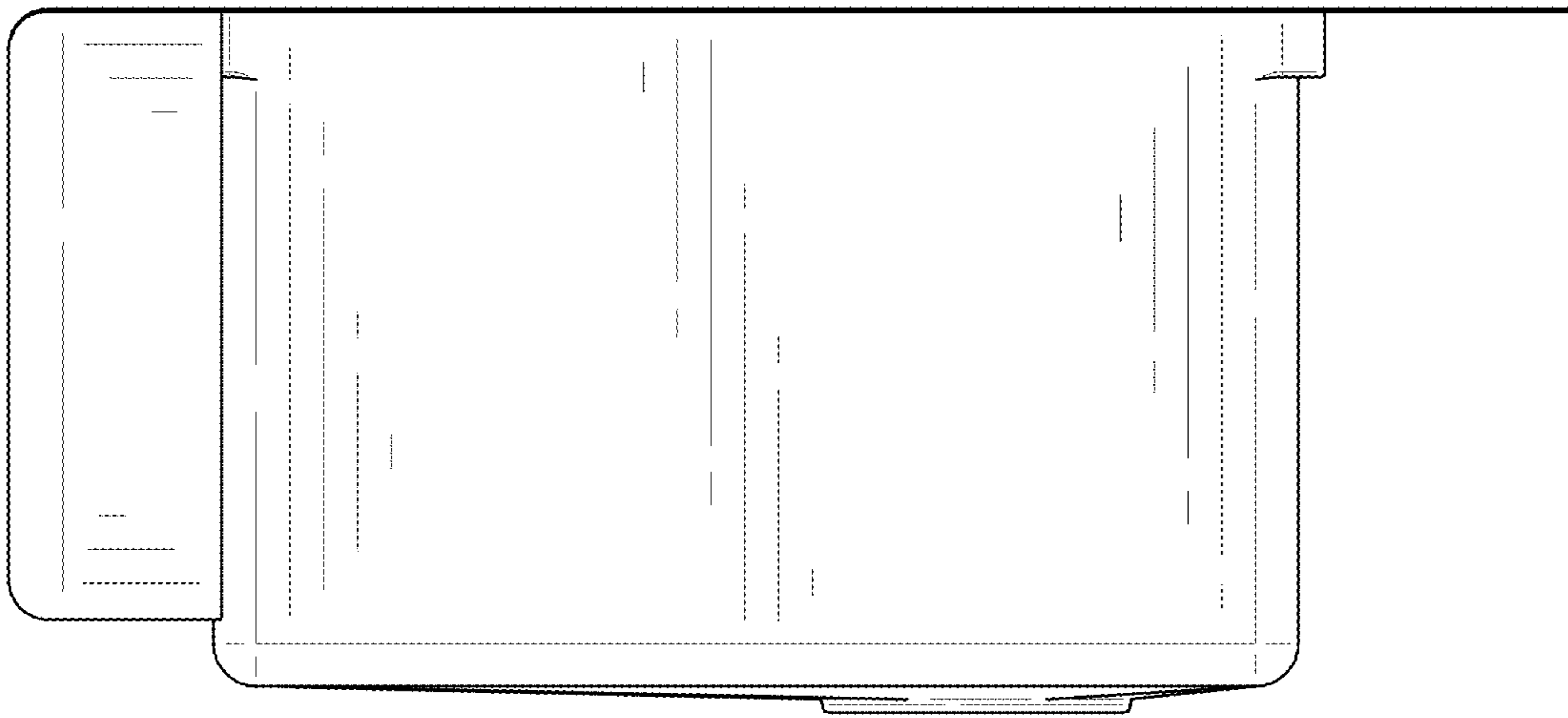


FIG. 5

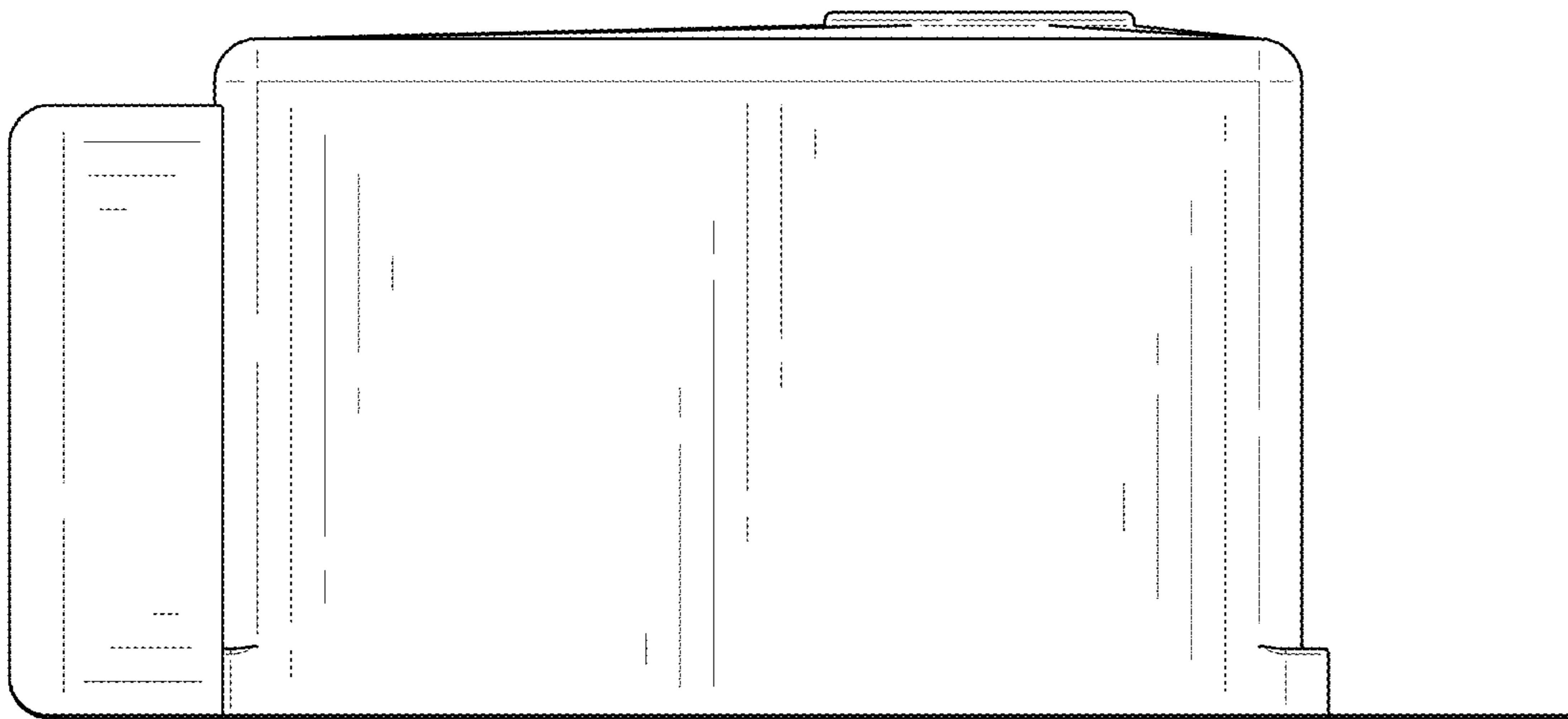


FIG. 6

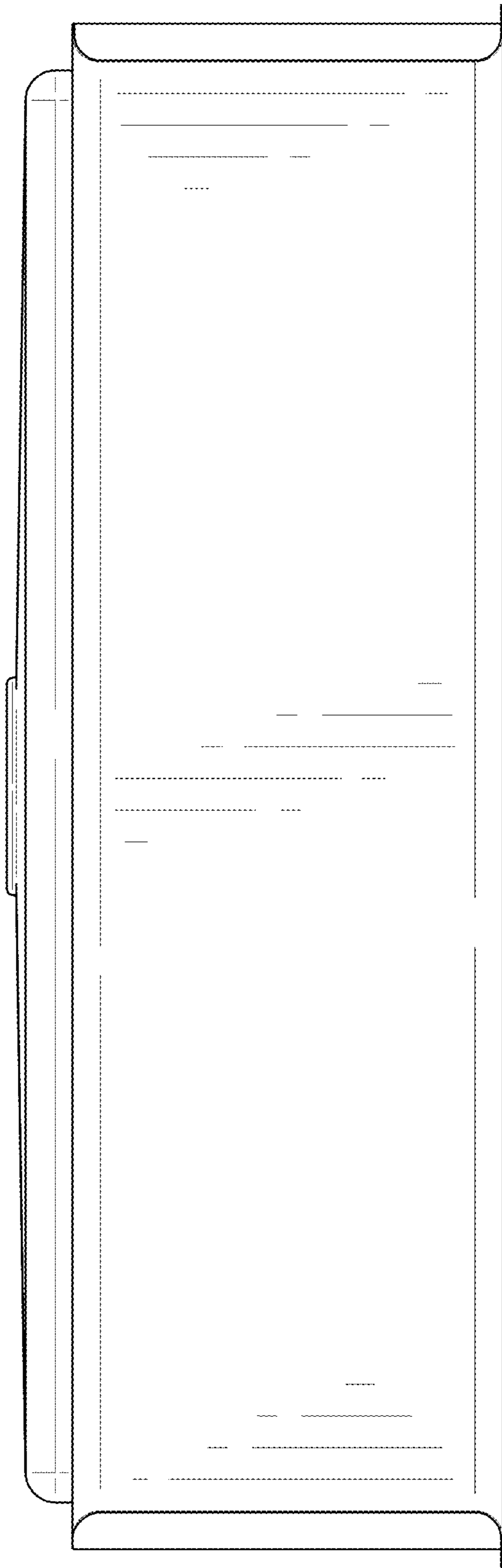


FIG. 7

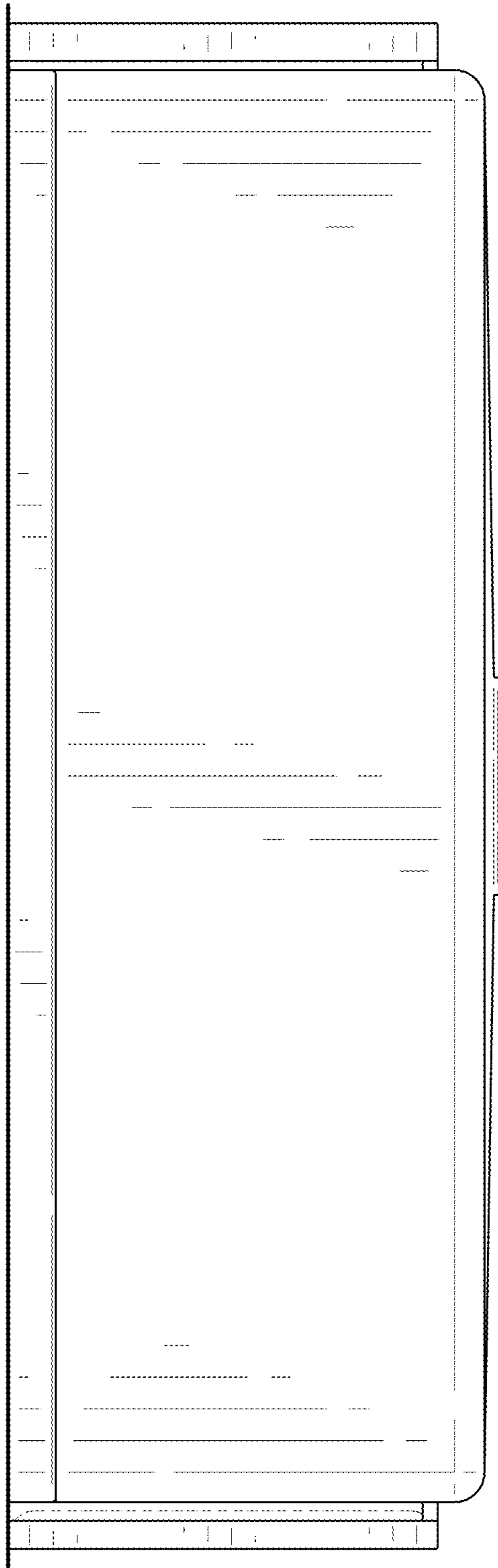


FIG. 8