



US00D930797S

(12) **United States Design Patent**  
**Feinberg et al.**

(10) **Patent No.:** **US D930,797 S**

(45) **Date of Patent:** **\*\* Sep. 14, 2021**

(54) **HOSE**

(71) Applicants: **WEB DEALS DIRECT LLC**,  
Harrisburg, NC (US); **YONGKANG  
CHUNKAI IMPORT & EXPORT  
CO., LTD**, Jinhua (CN)

(72) Inventors: **Adam Feinberg**, Harrisburg, NC (US);  
**Zuming Ren**, Jinhua (CN)

(\*\*) Term: **15 Years**

(21) Appl. No.: **29/751,071**

(22) Filed: **Sep. 18, 2020**

(51) **LOC (13) Cl.** ..... **23-01**

(52) **U.S. Cl.**  
USPC ..... **D23/266**

(58) **Field of Classification Search**  
USPC ..... D23/259, 266, 262; 138/28, 108-109,  
138/118, 118.1, 129, 137, 172-174, 121;  
285/417-419

See application file for complete search history.

(56) **References Cited**

**U.S. PATENT DOCUMENTS**

3,588,148	A *	6/1971	Barsumian	.....	F16L 11/04 285/8
D479,741	S *	9/2003	Chiu	.....	D23/266
D586,435	S *	2/2009	Reckseen	.....	D23/266
D723,669	S *	3/2015	Berardi	.....	D23/266
D731,032	S *	6/2015	Yang	.....	D23/266
D812,202	S *	3/2018	Blanchette	.....	D23/266
D837,952	S	1/2019	Wildfang		
D873,391	S *	1/2020	Xie	.....	D23/266
D884,841	S	5/2020	Drew		
D888,205	S *	6/2020	Fang	.....	D23/266
D891,589	S *	7/2020	Mishan	.....	D23/266
2013/0213514	A1 *	8/2013	Berardi	.....	F16L 11/04 138/109

2018/0347738	A1 *	12/2018	Zhang	.....	F16L 11/10
2019/0093804	A1 *	3/2019	Allman	.....	F16L 19/0286
2019/0242502	A1 *	8/2019	Pan	.....	F16L 57/02

**OTHER PUBLICATIONS**

Flexi Hose Plus Lightweight Expandable garden Hose with Brass Fittings; Amazon Earliest Review Date Jul. 21, 2020; Visited Online May 7, 2021; [https://www.amazon.com/Flexi-Hose-Lightweight-Expandable-Flexibility/dp/B089ZRTWDN/ref=cm\\_cr\\_ar\\_p\\_d\\_product\\_top?ie=UTF8](https://www.amazon.com/Flexi-Hose-Lightweight-Expandable-Flexibility/dp/B089ZRTWDN/ref=cm_cr_ar_p_d_product_top?ie=UTF8) (Year: 2020).\*

\* cited by examiner

*Primary Examiner* — Amy C Wierenga

(74) *Attorney, Agent, or Firm* — Wolf, Greenfield & Sacks, P.C.

(57) **CLAIM**

The ornamental design for a hose, as shown and described.

**DESCRIPTION**

FIG. 1 is a front perspective view of a hose showing our new design;

FIG. 2 is rear perspective view thereof;

FIG. 3 is a front view thereof;

FIG. 4 is a rear view thereof;

FIG. 5 is a left side view thereof;

FIG. 6 is a right side view thereof;

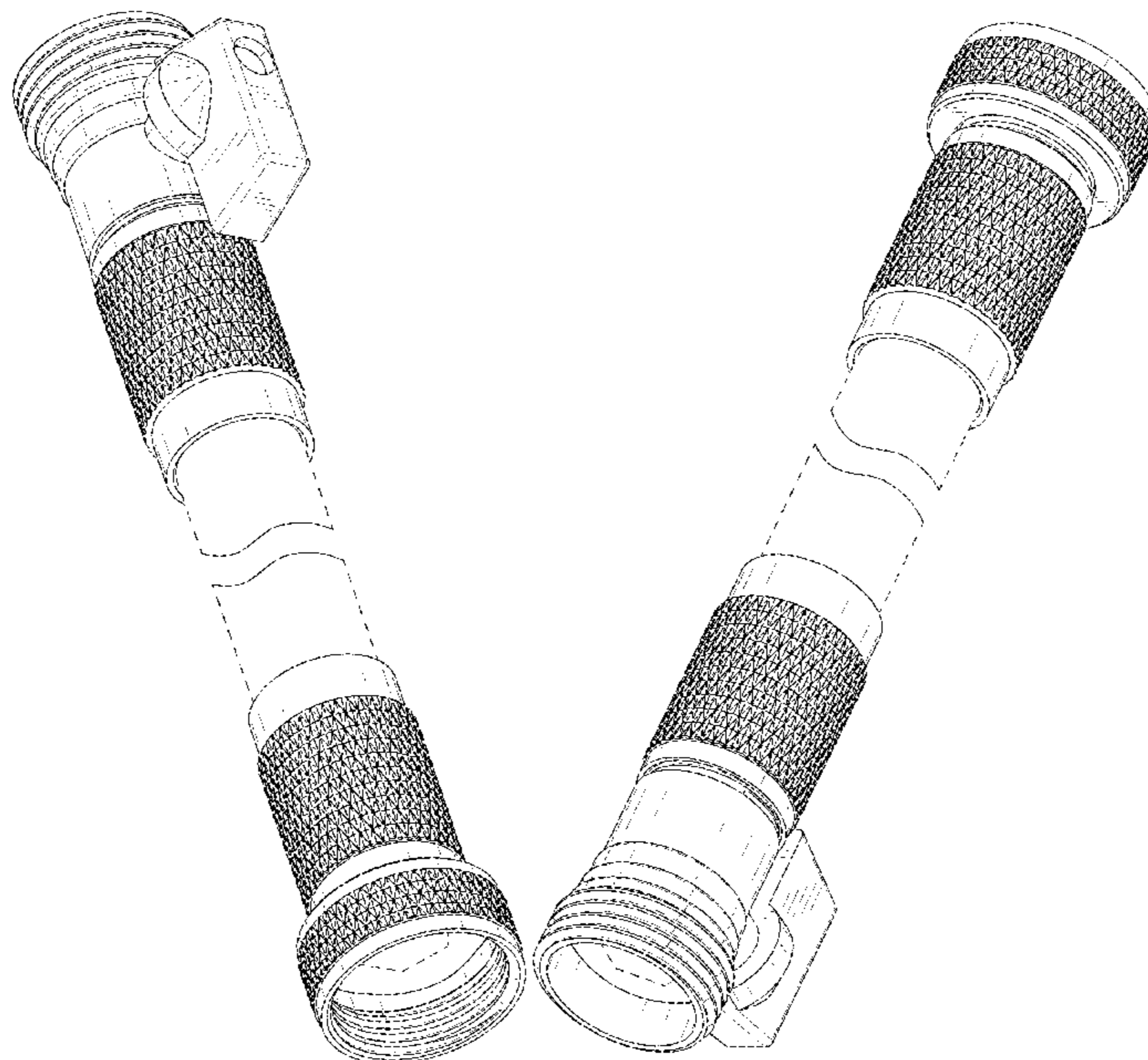
FIG. 7 is a top view thereof; and,

FIG. 8 is a bottom view thereof.

The broken lines in the drawings illustrate portions of the hose which form no part of the claimed design.

The hose is shown with a symbolic break in its length. The appearance of any portion of the hose between the break lines forms no part of the claim.

**1 Claim, 8 Drawing Sheets**



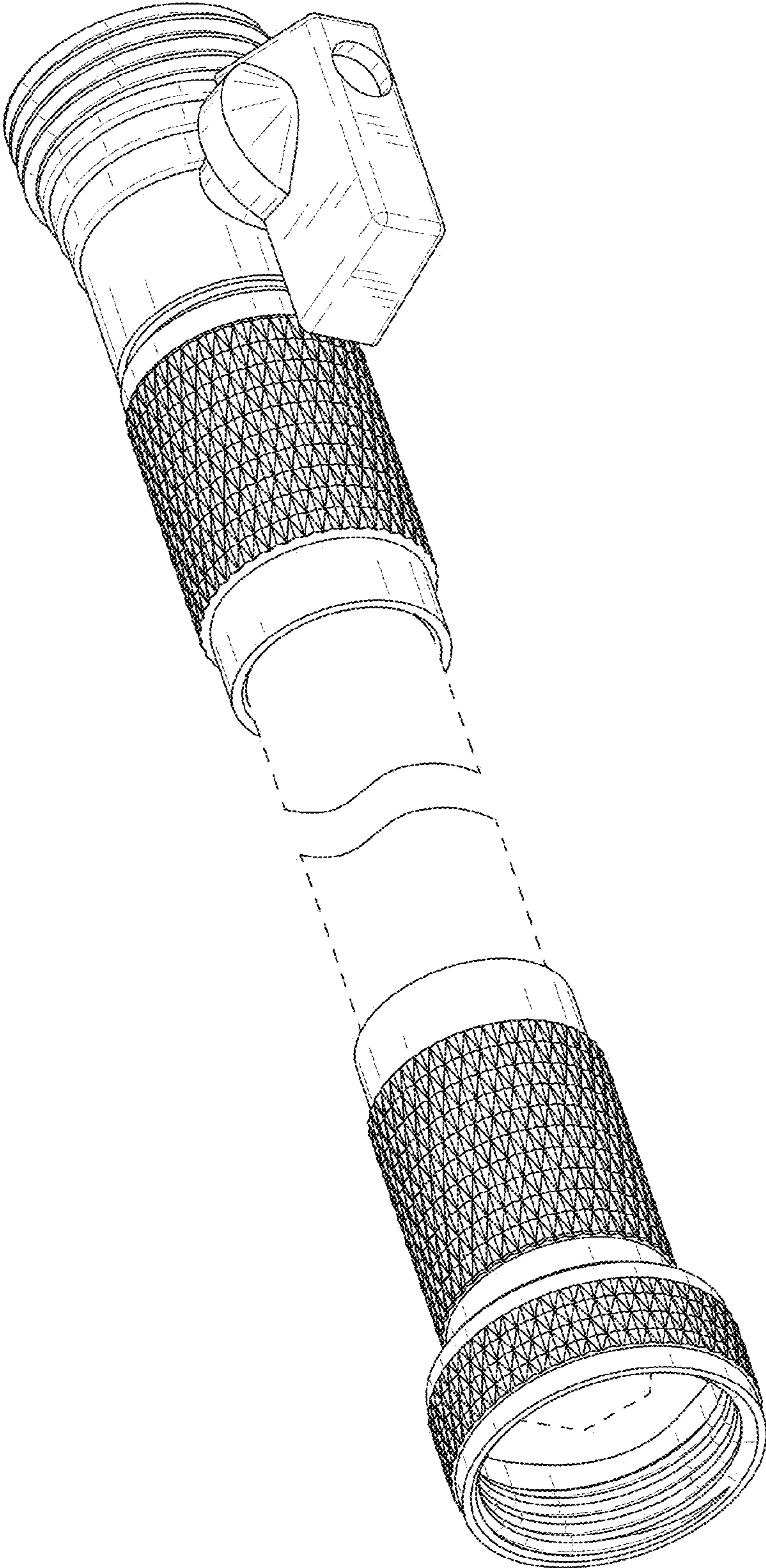


Fig. 1

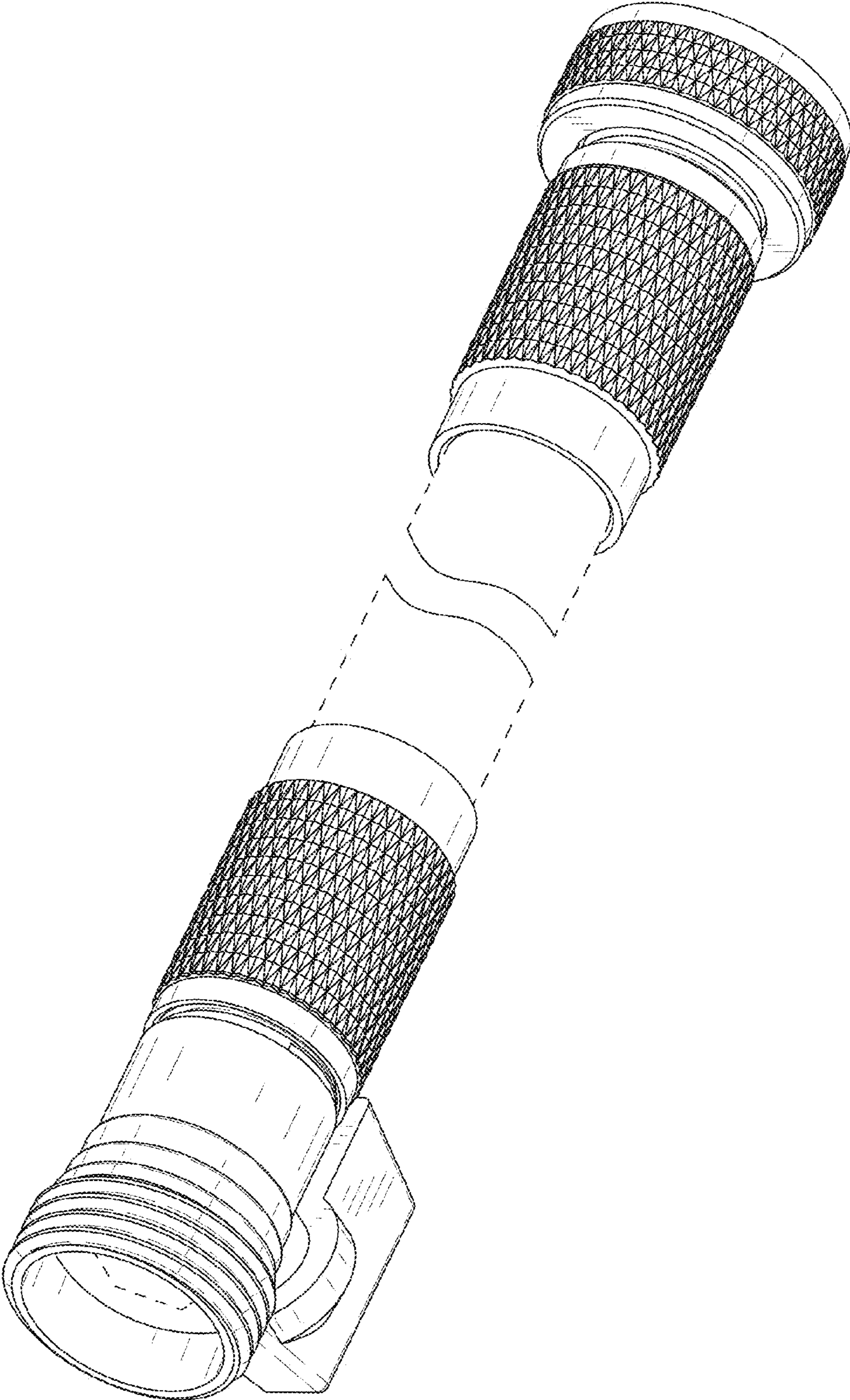


Fig. 2

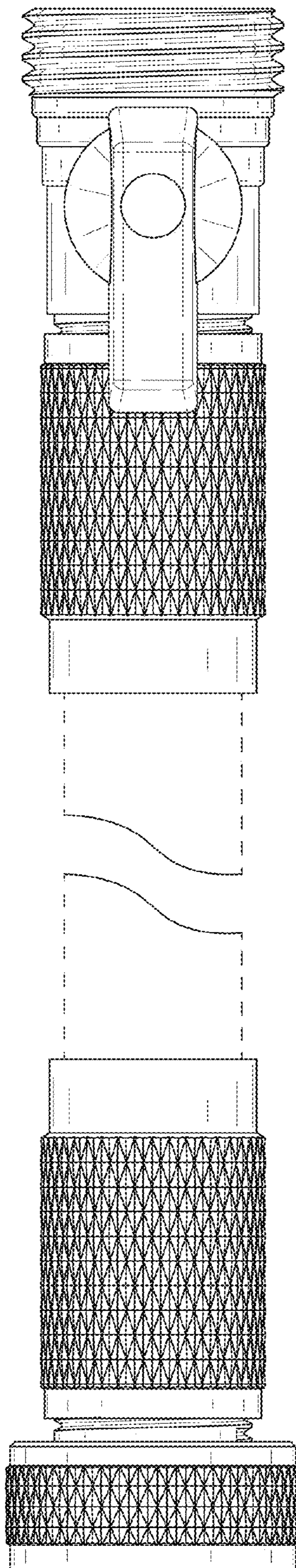


Fig. 3

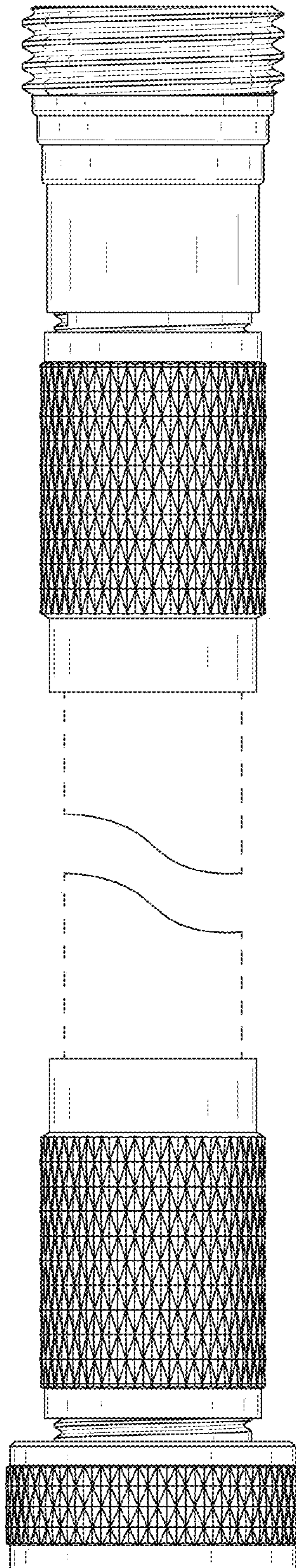


Fig. 4

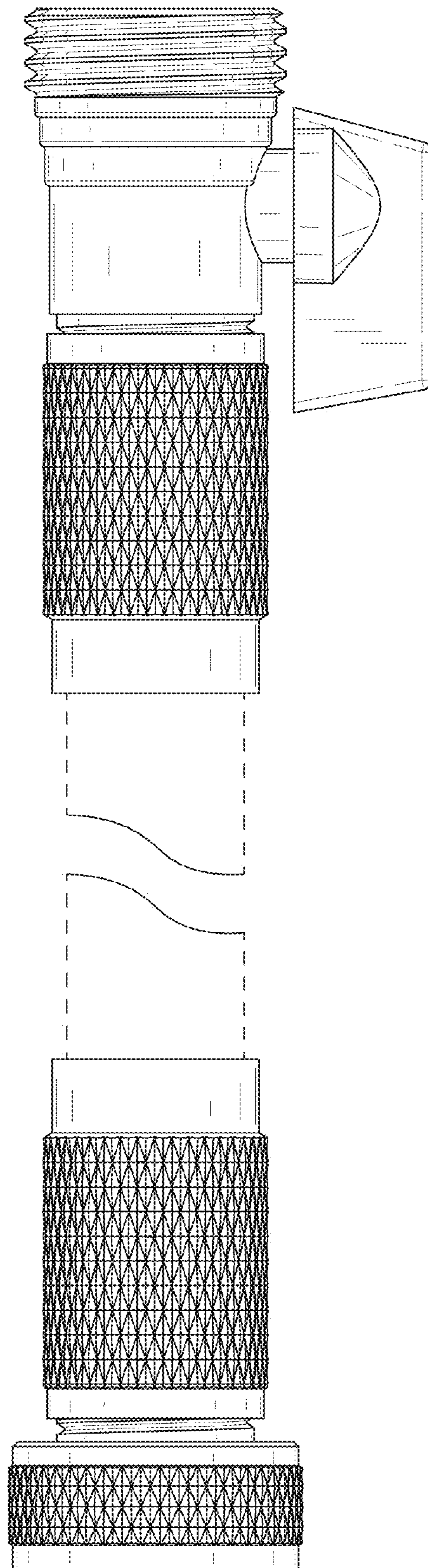


Fig. 5

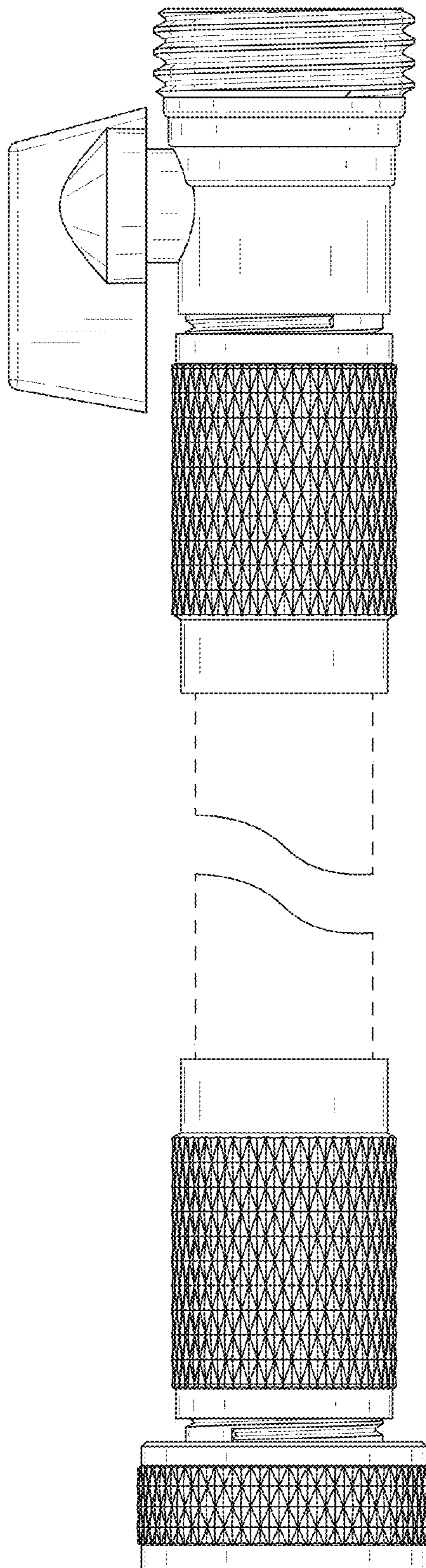


Fig. 6

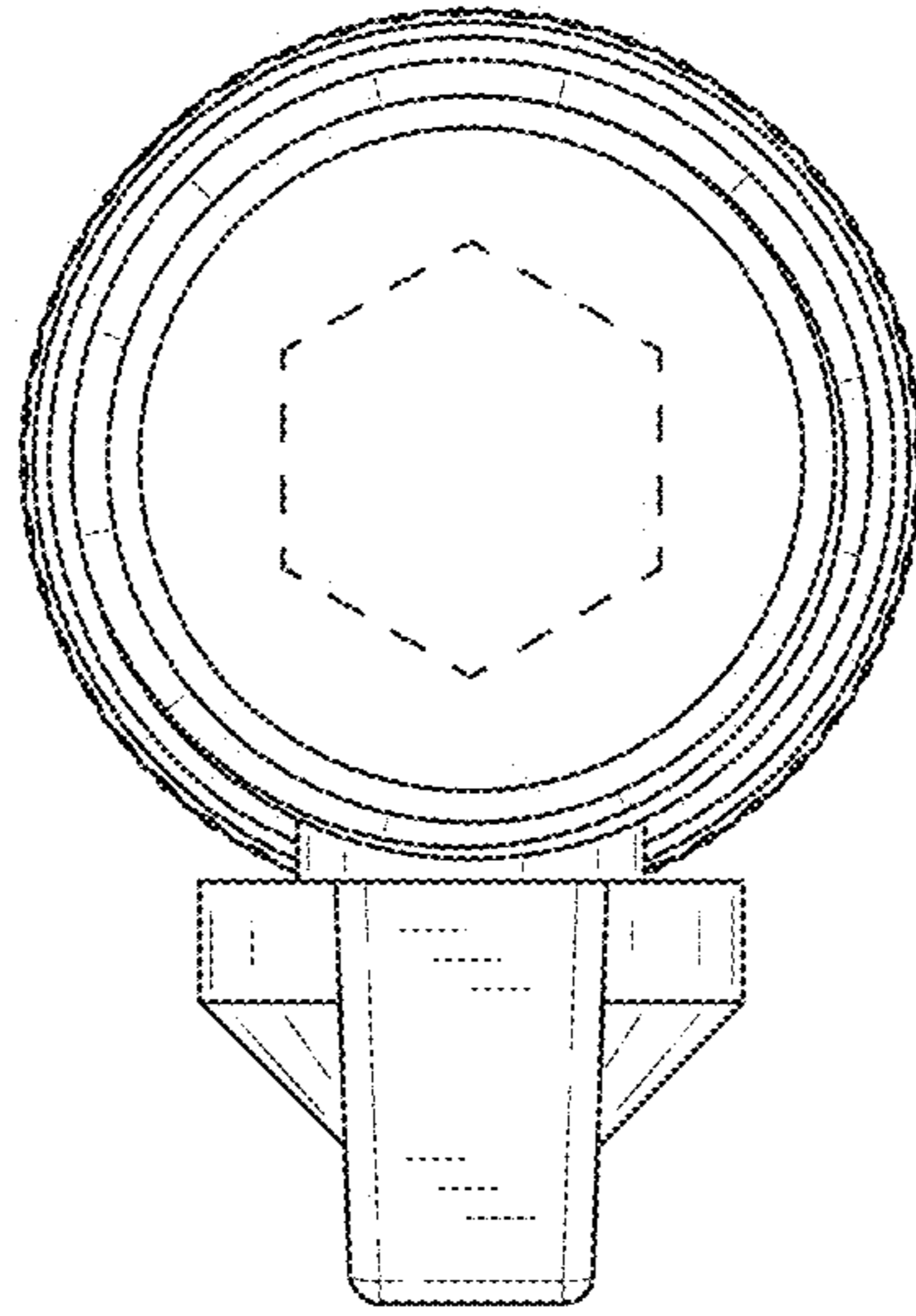


Fig. 7



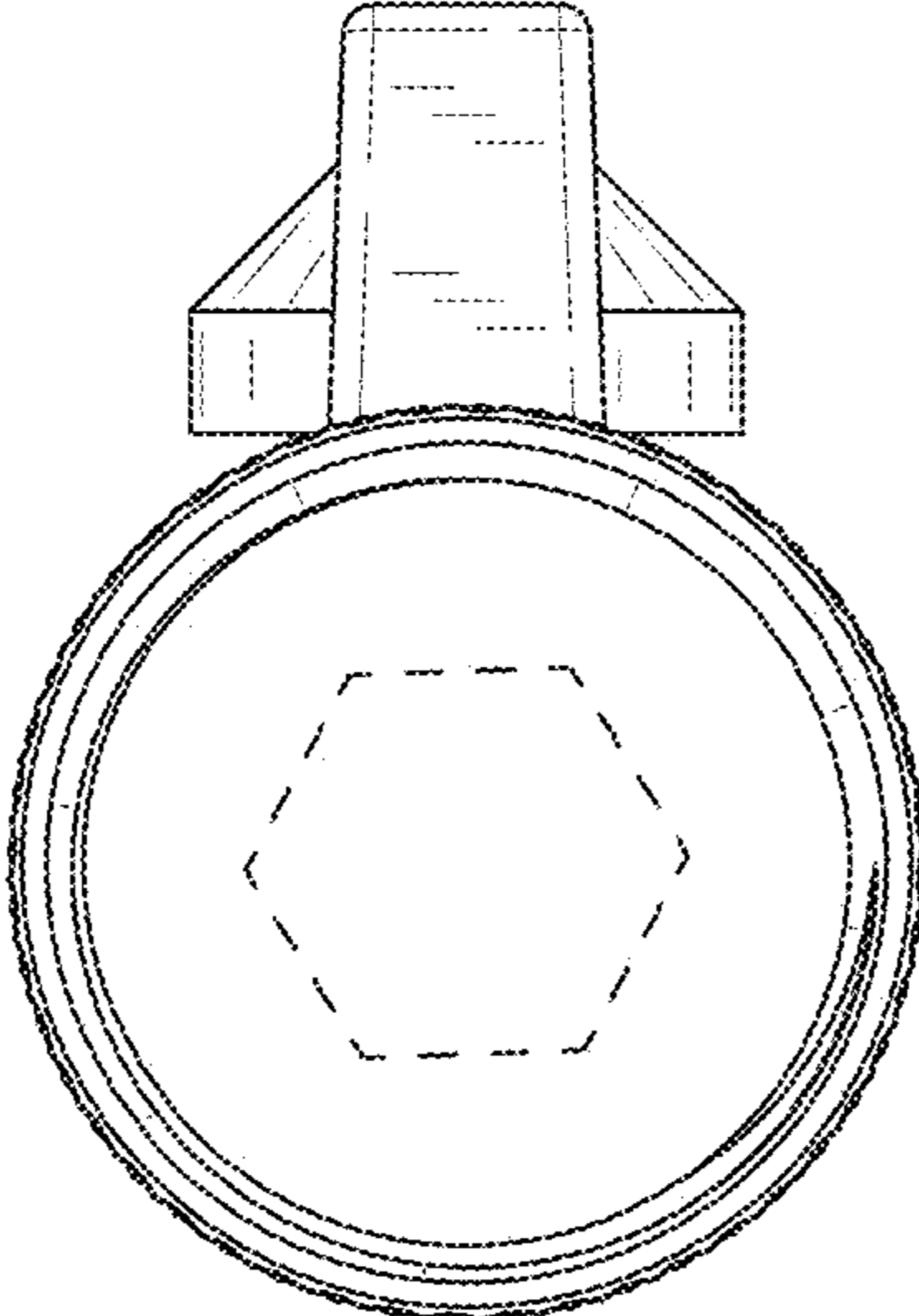


Fig. 8