

US00D930795S

(12) **United States Design Patent**  
**Guo**

(10) **Patent No.:** **US D930,795 S**

(45) **Date of Patent:** **\*\* Sep. 14, 2021**

(54) **FAUCET HANDLE**

(71) Applicant: **Wenhua Guo**, Shanxi (CN)

(72) Inventor: **Wenhua Guo**, Shanxi (CN)

(\*\*) Term: **15 Years**

(21) Appl. No.: **29/707,070**

(22) Filed: **Sep. 25, 2019**

(51) **LOC (13) Cl.** ..... **23-01**

(52) **U.S. Cl.**  
USPC ..... **D23/252**

(58) **Field of Classification Search**  
USPC ..... D23/238–243, 250, 252, 254;  
D8/307–308

See application file for complete search history.

(56) **References Cited**

**U.S. PATENT DOCUMENTS**

D512,488 S \* 12/2005 Kulig ..... D23/252  
D596,713 S \* 7/2009 Haug ..... D23/252

D651,287 S \* 12/2011 Kwok ..... D23/252  
D851,217 S \* 6/2019 Chen ..... D23/252  
D923,146 S \* 6/2021 Yang ..... D23/238

\* cited by examiner

*Primary Examiner* — Robert A Delehanty

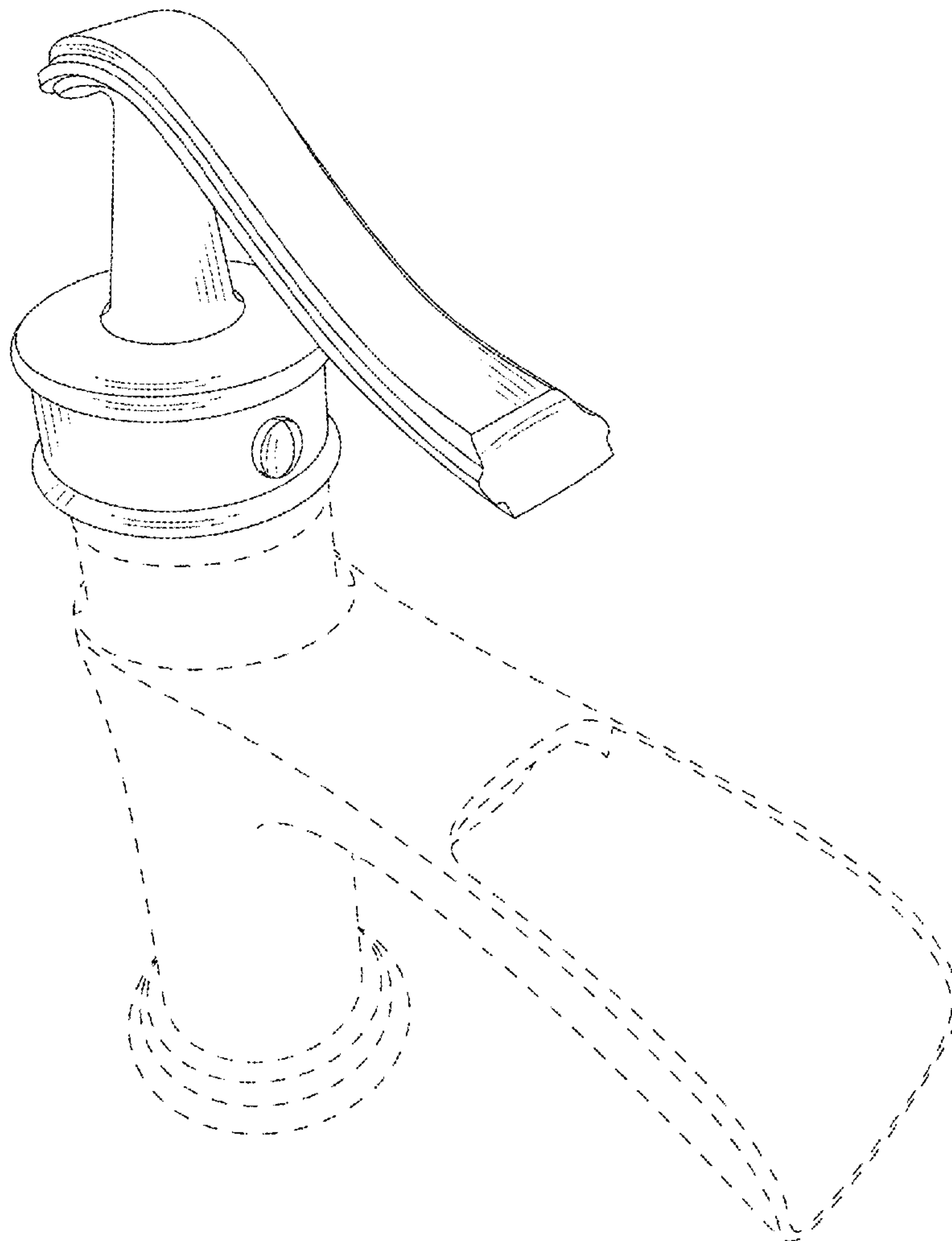
(57) **CLAIM**

The ornamental design for a faucet handle, as shown and described.

**DESCRIPTION**

FIG. 1 is a perspective view of a faucet handle showing my new design;  
FIG. 2 is a front elevational view thereof;  
FIG. 3 is a rear elevational view thereof;  
FIG. 4 is a left side elevational view thereof;  
FIG. 5 is a right side elevational view thereof;  
FIG. 6 is a top plan view thereof; and,  
FIG. 7 is a bottom plan view thereof.  
The broken lines shown in the drawings represent unclaimed portions of the faucet and forms no part of the claimed design.

**1 Claim, 7 Drawing Sheets**



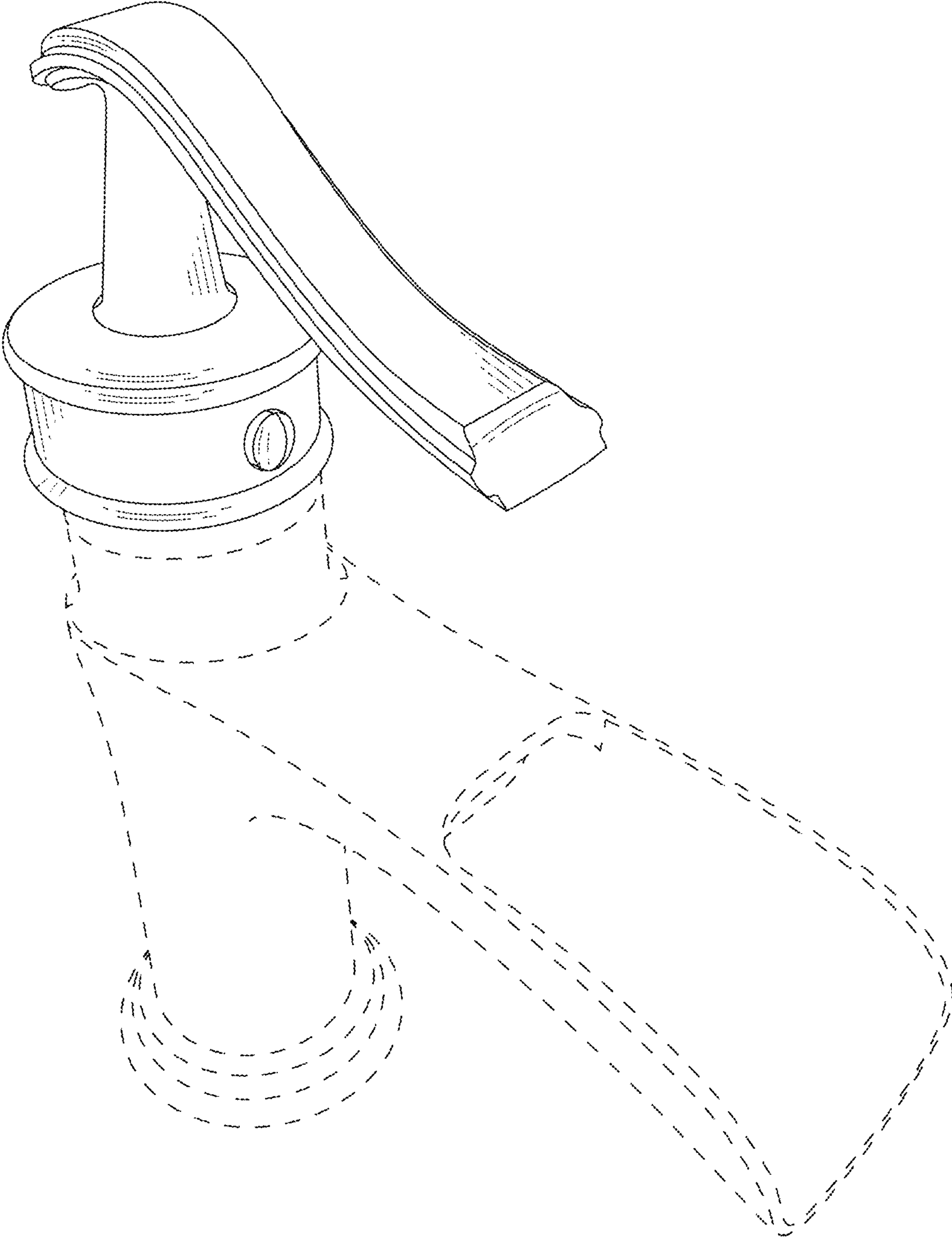


FIG. 1

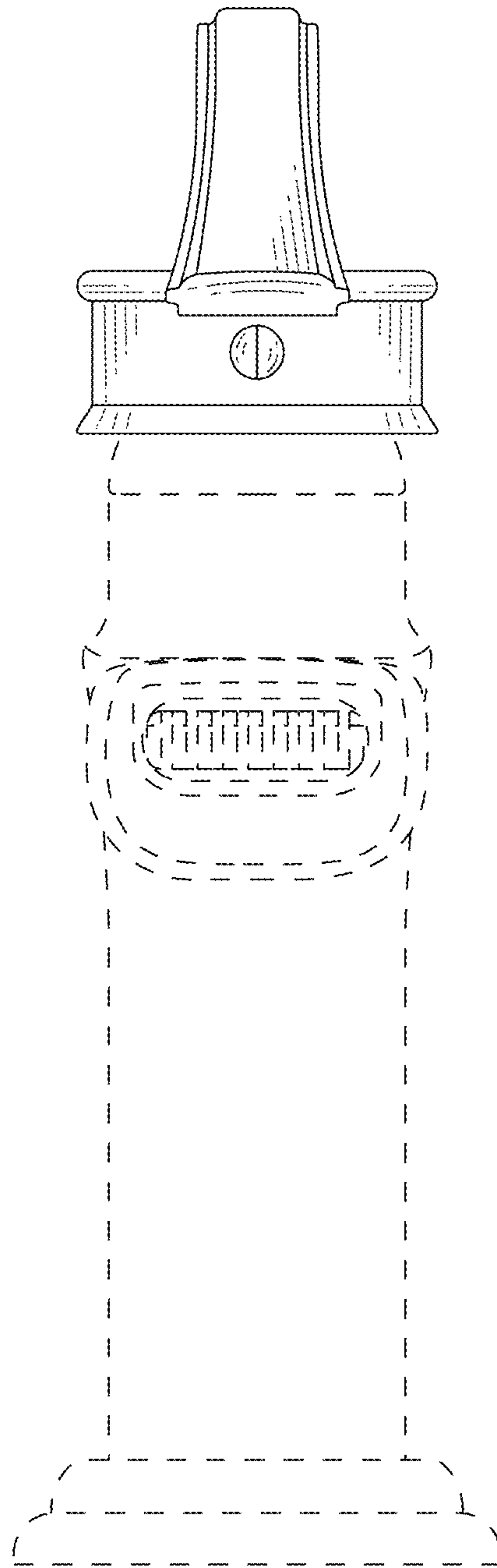


FIG. 2

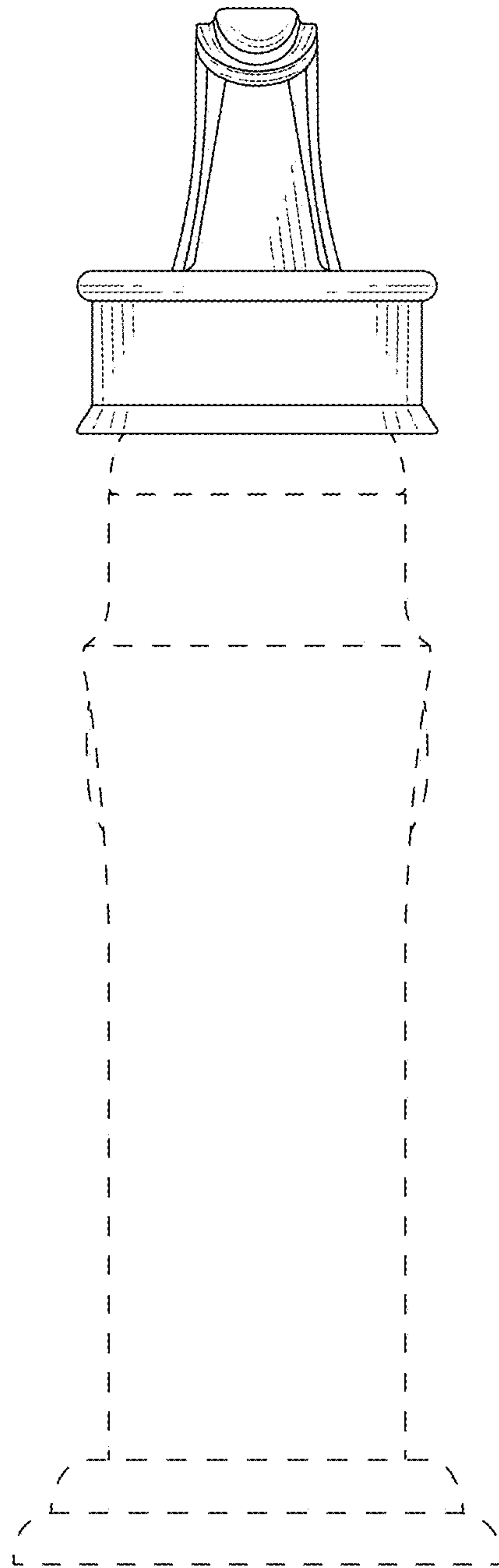


FIG. 3

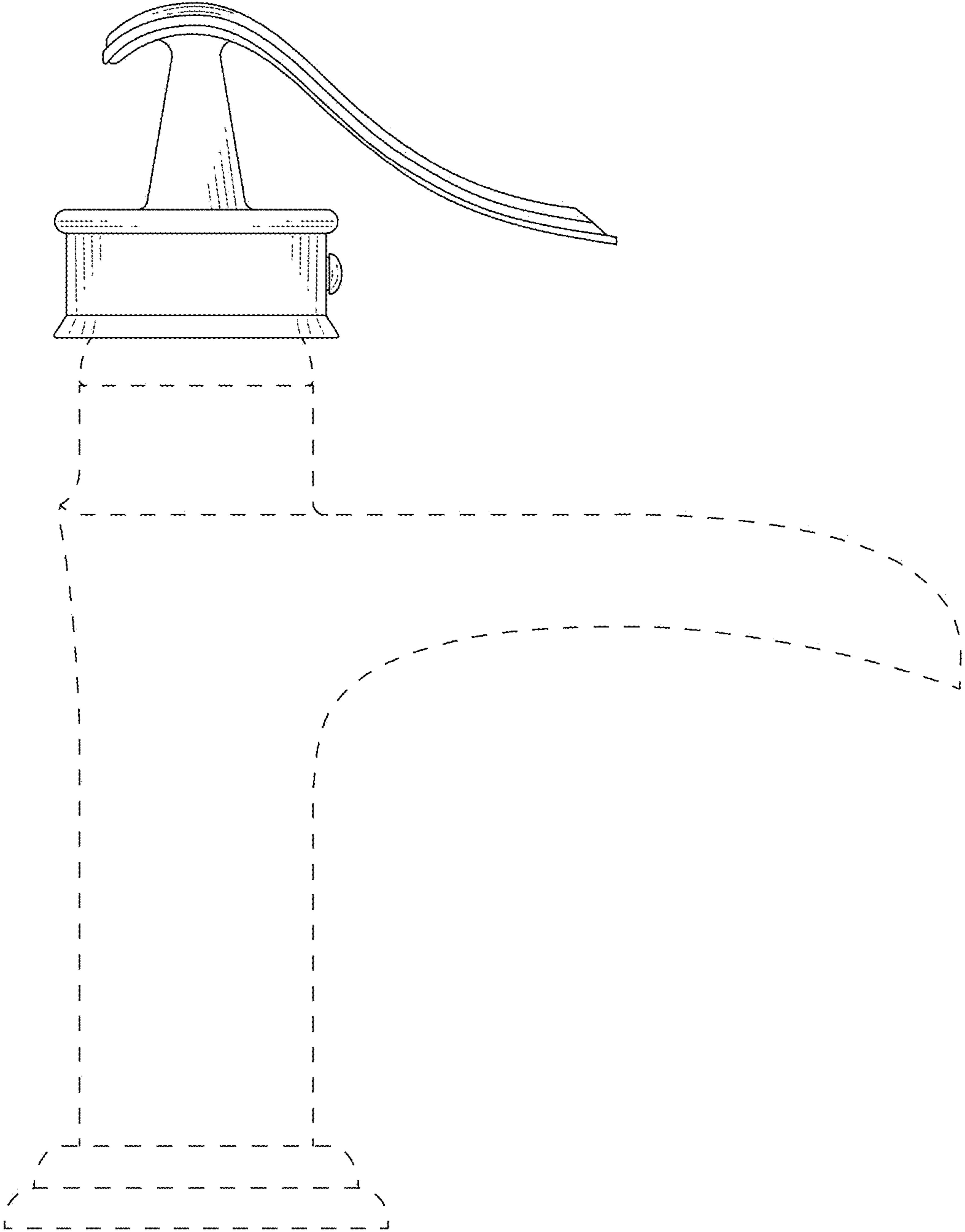


FIG. 4

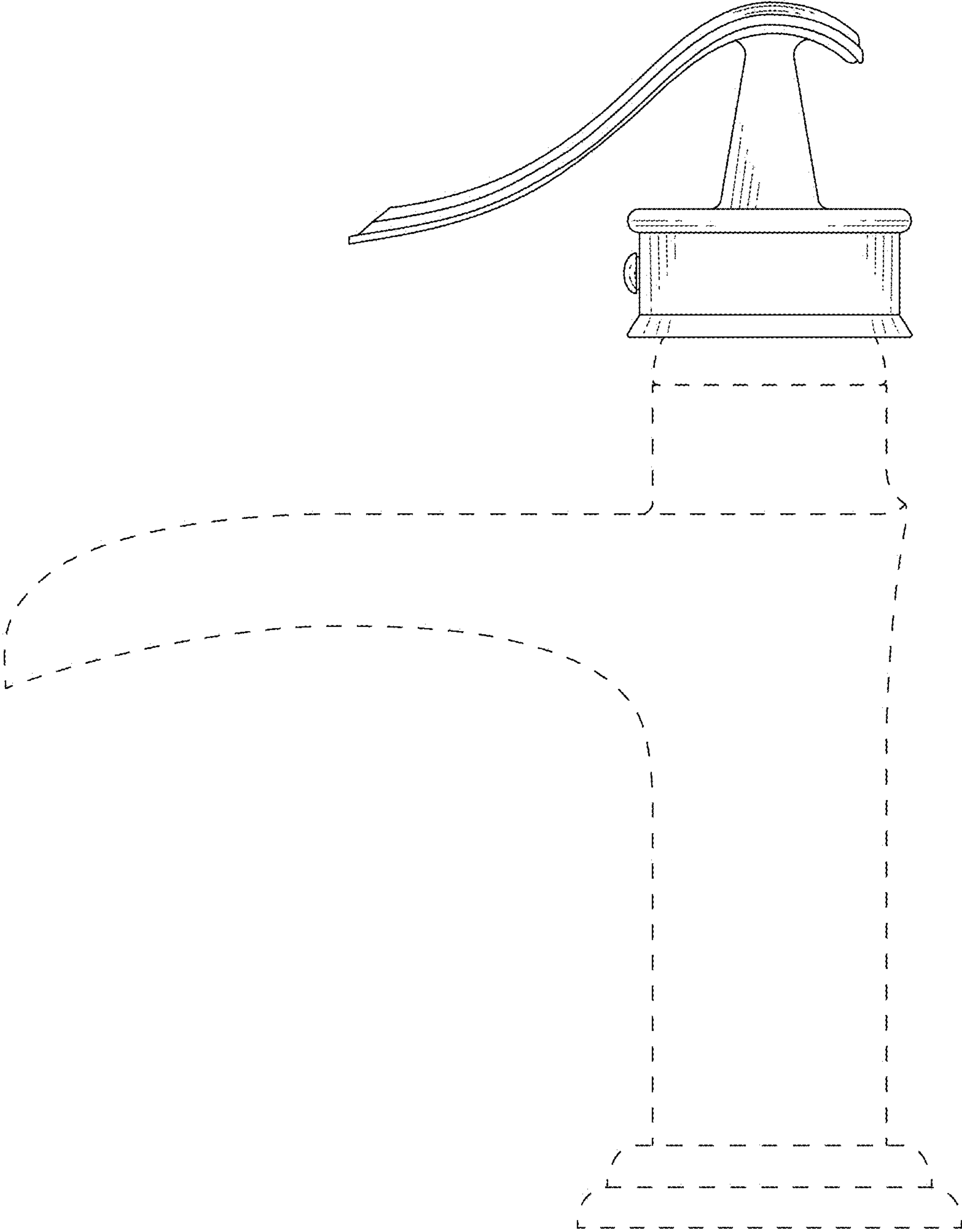


FIG. 5

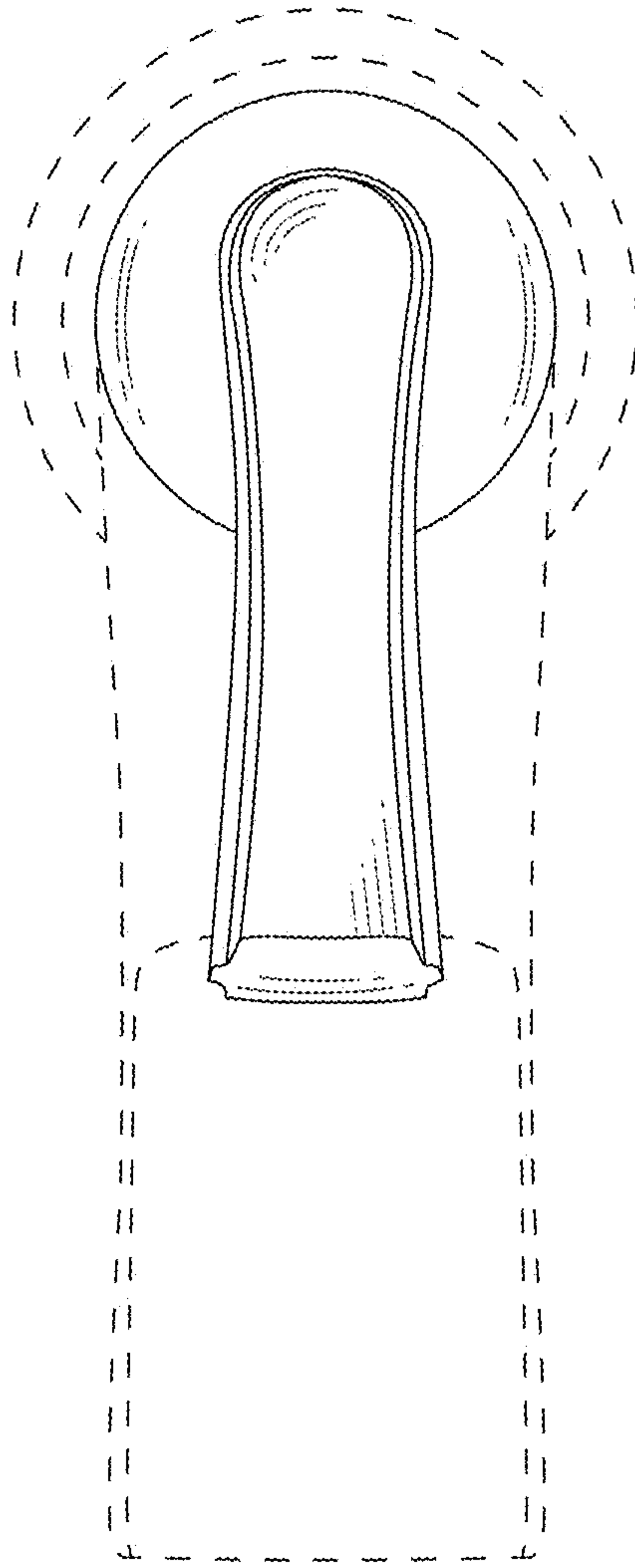


FIG. 6

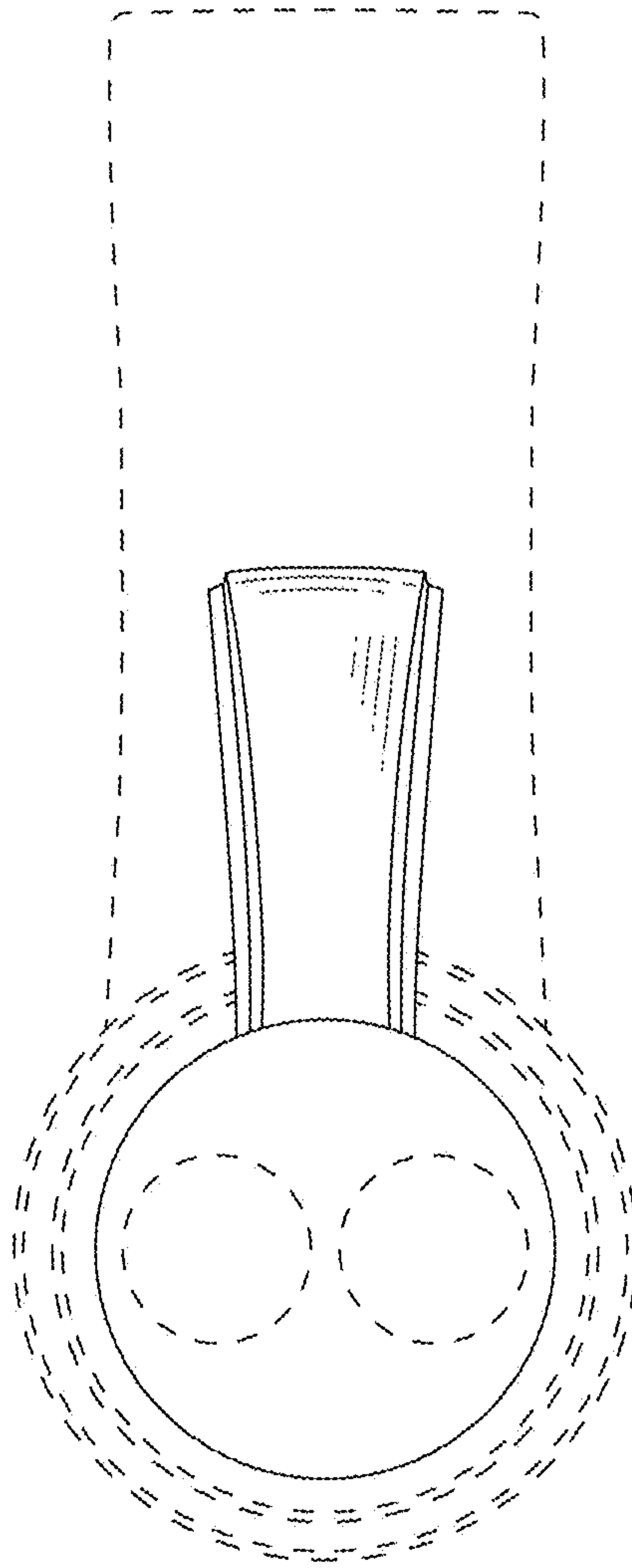


FIG. 7