



US00D930794S

(12) **United States Design Patent**
Liang

(10) **Patent No.:** **US D930,794 S**

(45) **Date of Patent:** **** Sep. 14, 2021**

(54) **FAUCET**

(71) Applicant: **Shufa Liang**, Kaiping (CN)

(72) Inventor: **Shufa Liang**, Kaiping (CN)

(**) Term: **15 Years**

(21) Appl. No.: **29/689,262**

(22) Filed: **Apr. 29, 2019**

(51) **LOC (13) Cl.** **23-01**

(52) **U.S. Cl.**
USPC **D23/242**

(58) **Field of Classification Search**
USPC D23/238–243, 249–250, 252, 254–55,
D23/257
CPC E03C 1/042
See application file for complete search history.

(56) **References Cited**

U.S. PATENT DOCUMENTS

D518,558 S * 4/2006 Soriano D23/255
D523,119 S * 6/2006 Fritz D23/252
D523,121 S * 6/2006 Schaffeld D23/252

D567,912 S * 4/2008 Juratovac D23/255
D581,488 S * 11/2008 Dolan D23/250
D914,848 S * 3/2021 Eads D23/242

* cited by examiner

Primary Examiner — Robert A Delehanty

(74) *Attorney, Agent, or Firm* — Rमित Ranjit Kanakia

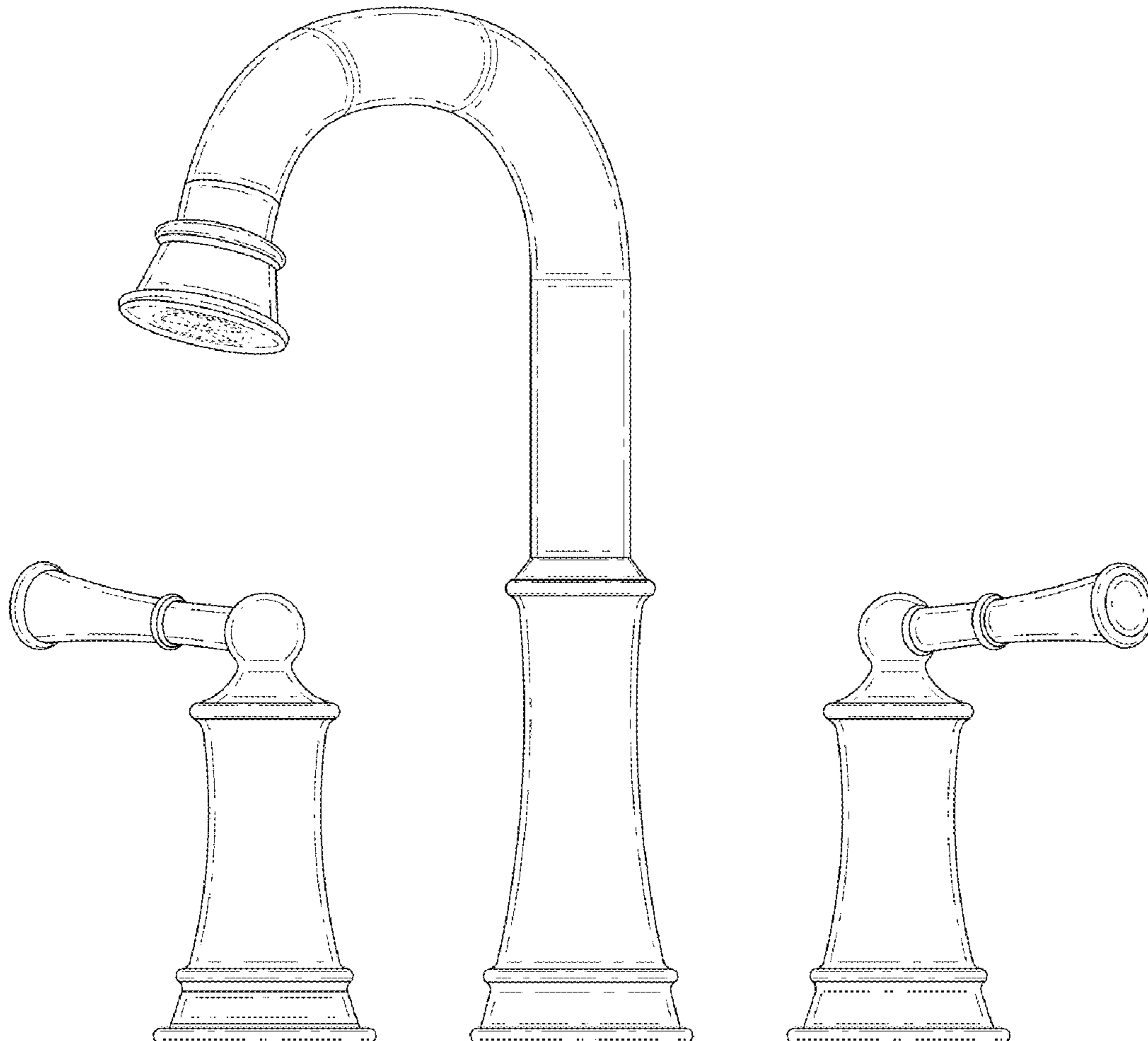
(57) **CLAIM**

I claim the ornamental design for a faucet, as shown and described.

DESCRIPTION

FIG. 1 is a Perspective view of a faucet showing my new design;
FIG. 2 is a Front view of the faucet as shown in FIG. 1;
FIG. 3 is a Back view of the faucet as shown in FIG. 1;
FIG. 4 is a Left-side view of the faucet as shown in FIG. 1;
FIG. 5 is a Right-side view of the faucet as shown in FIG. 1;
FIG. 6 is a Top view of the faucet as shown in FIG. 1; and,
FIG. 7 is a Bottom view of the faucet as shown in FIG. 1.
The broken lines in the drawings depict portions of the faucet that form no part of the claimed design.

1 Claim, 7 Drawing Sheets



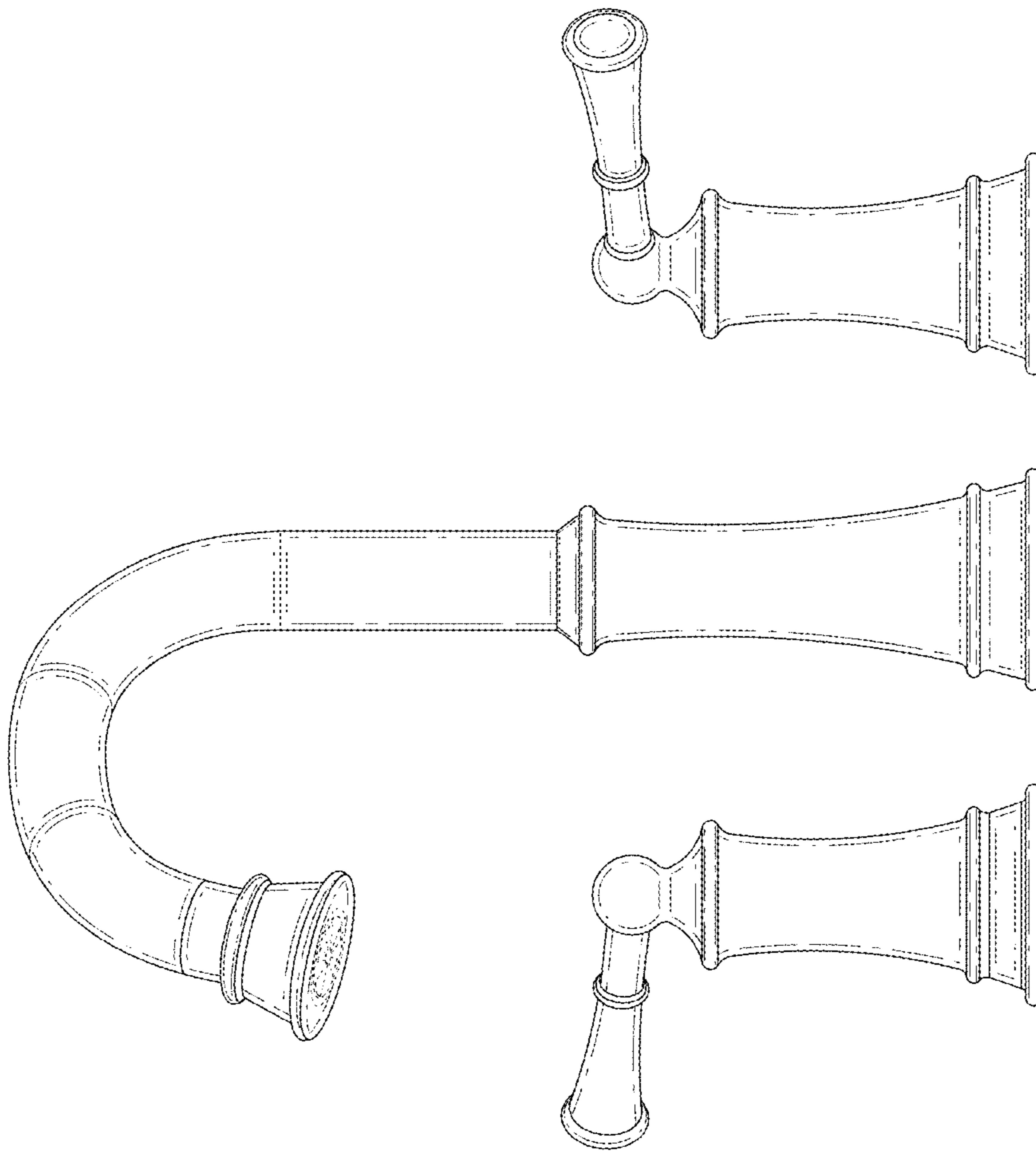


FIG. 1

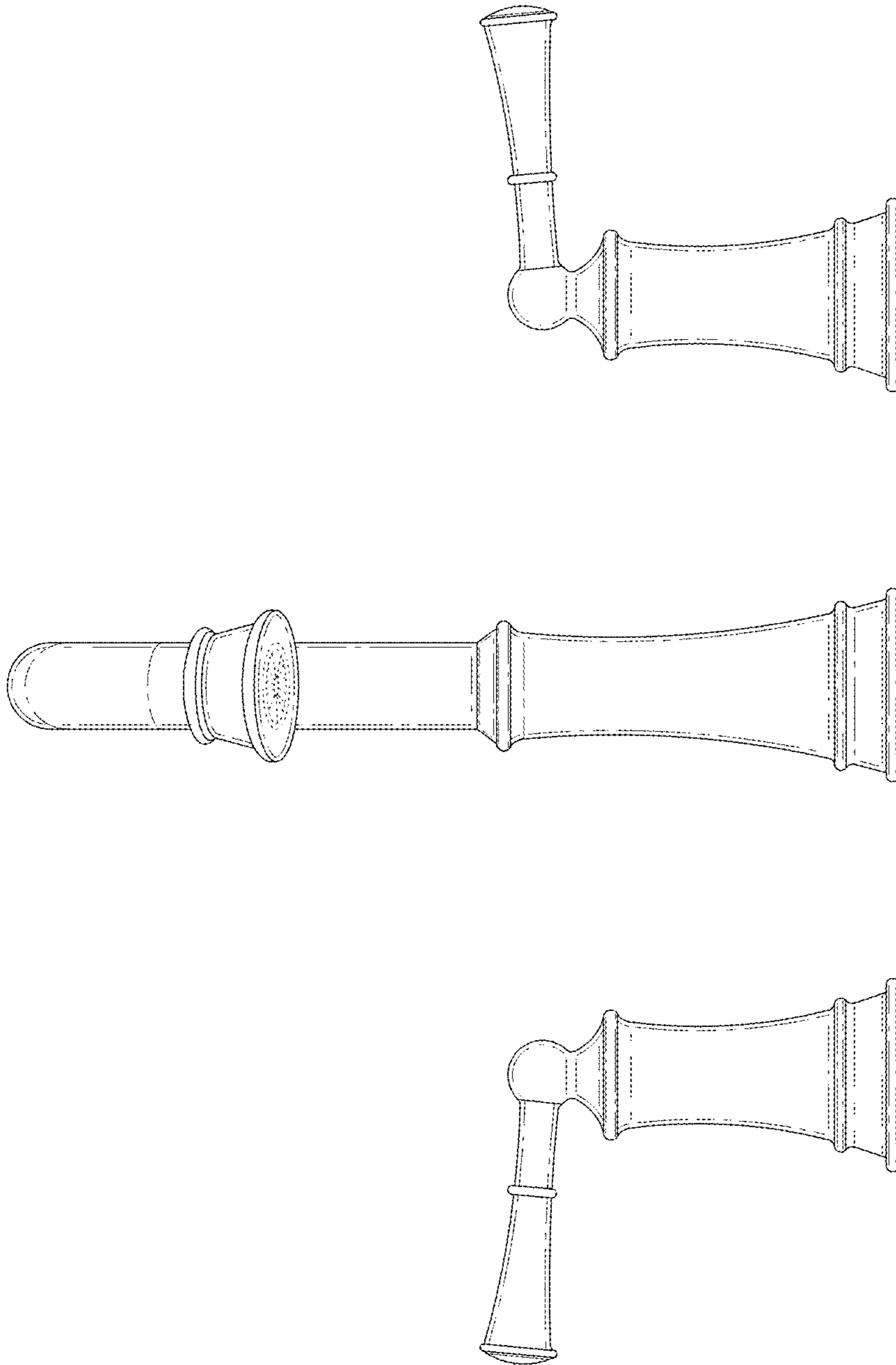


FIG. 2

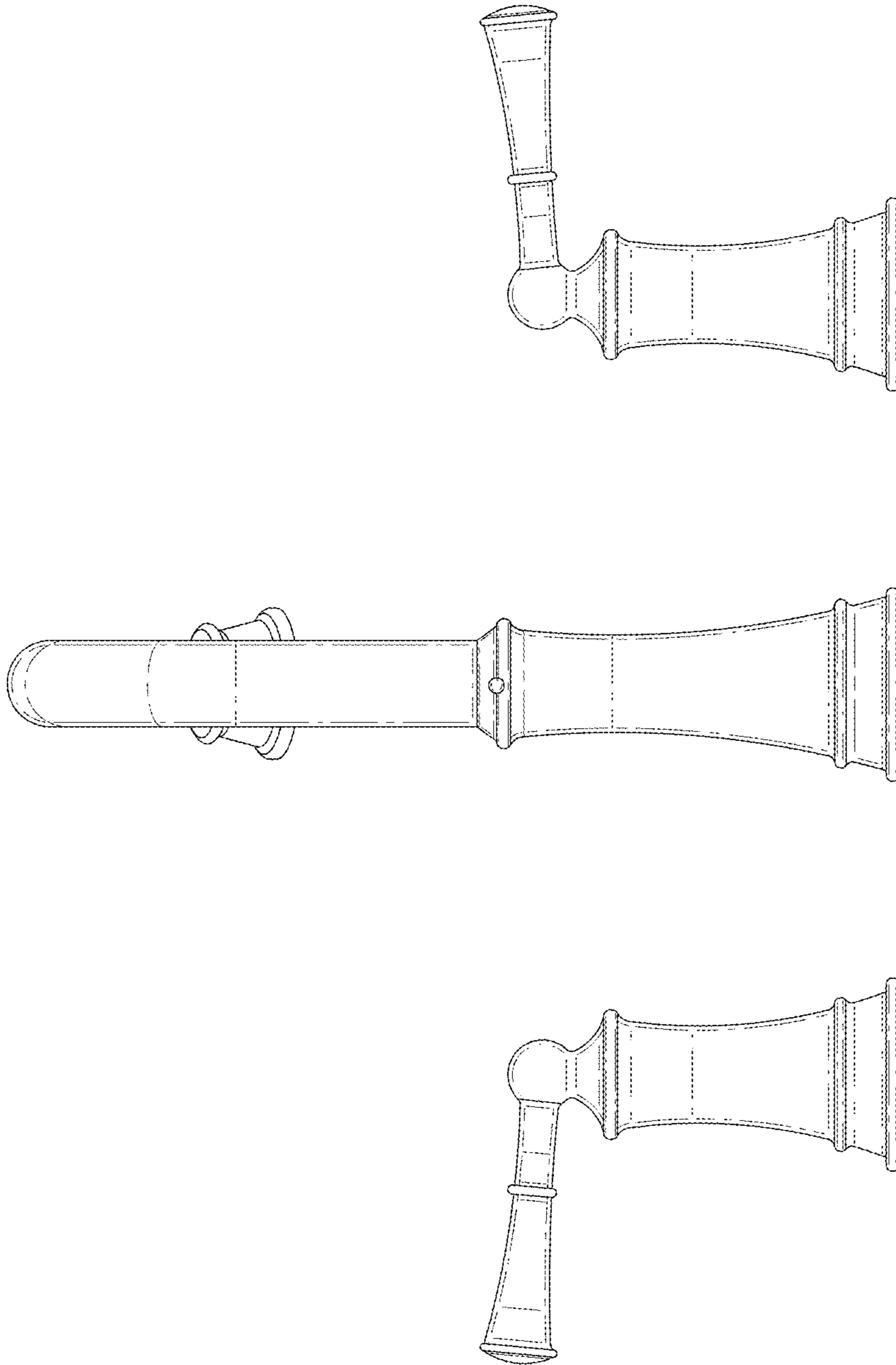


FIG. 3

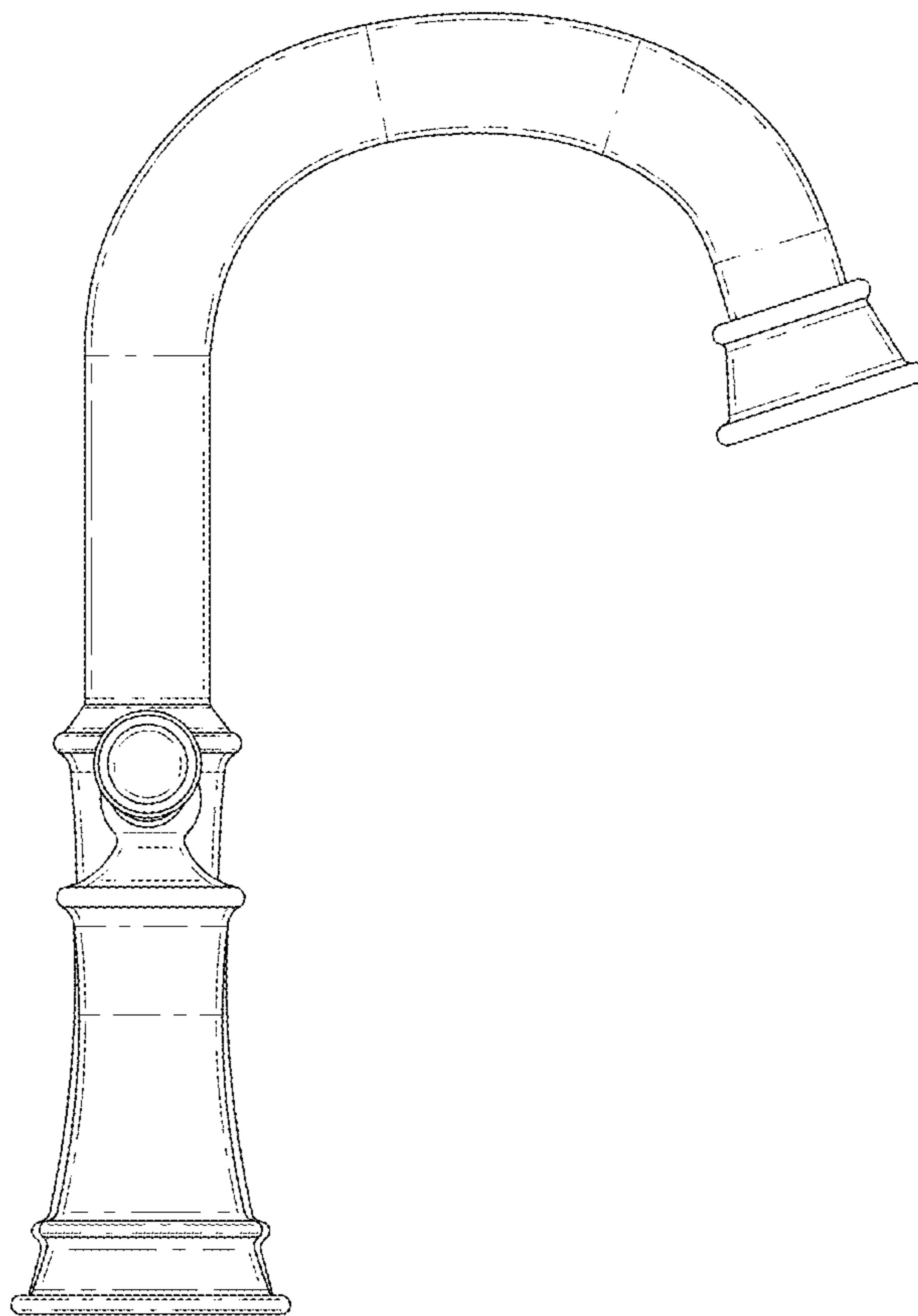


FIG. 4

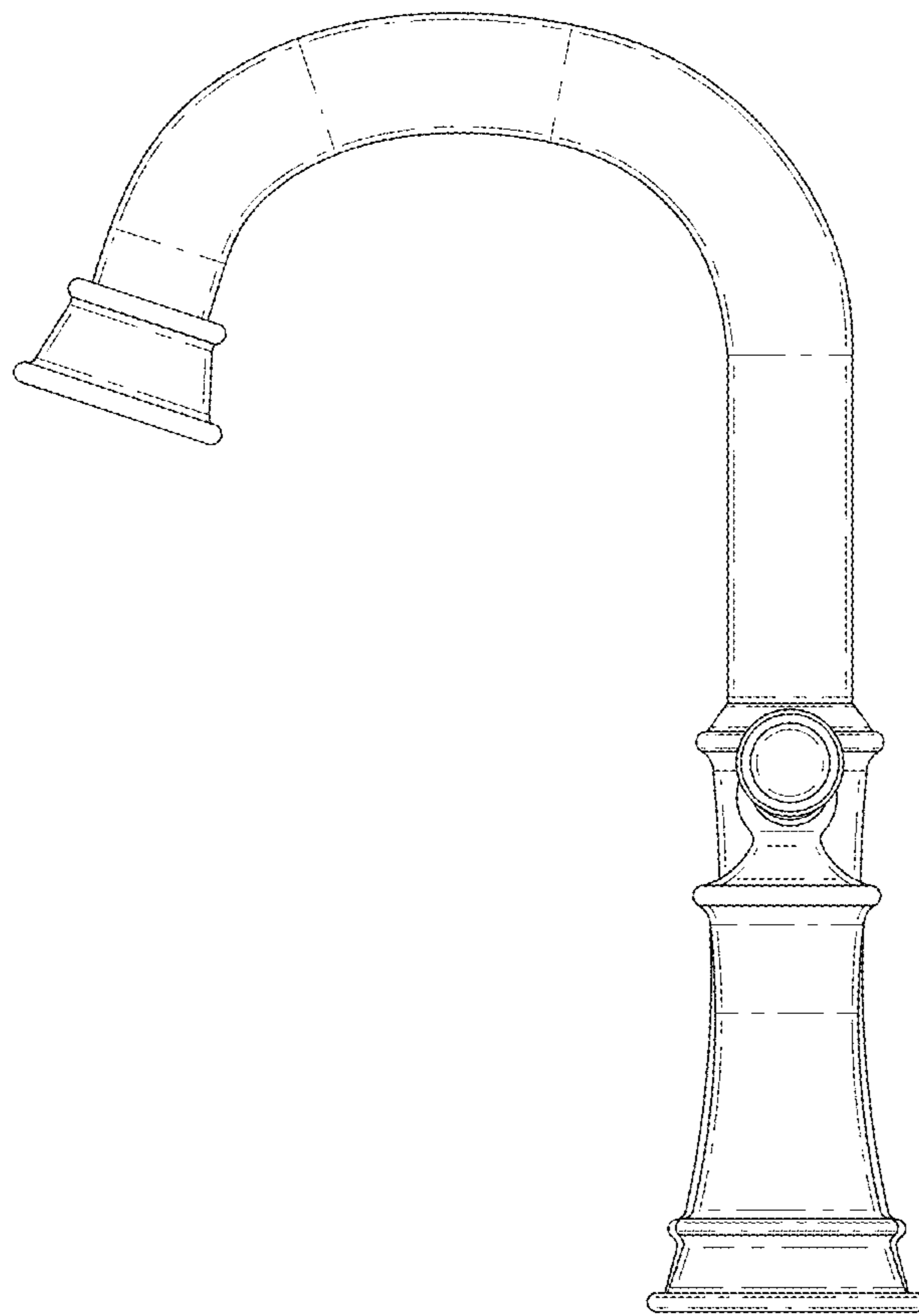


FIG. 5

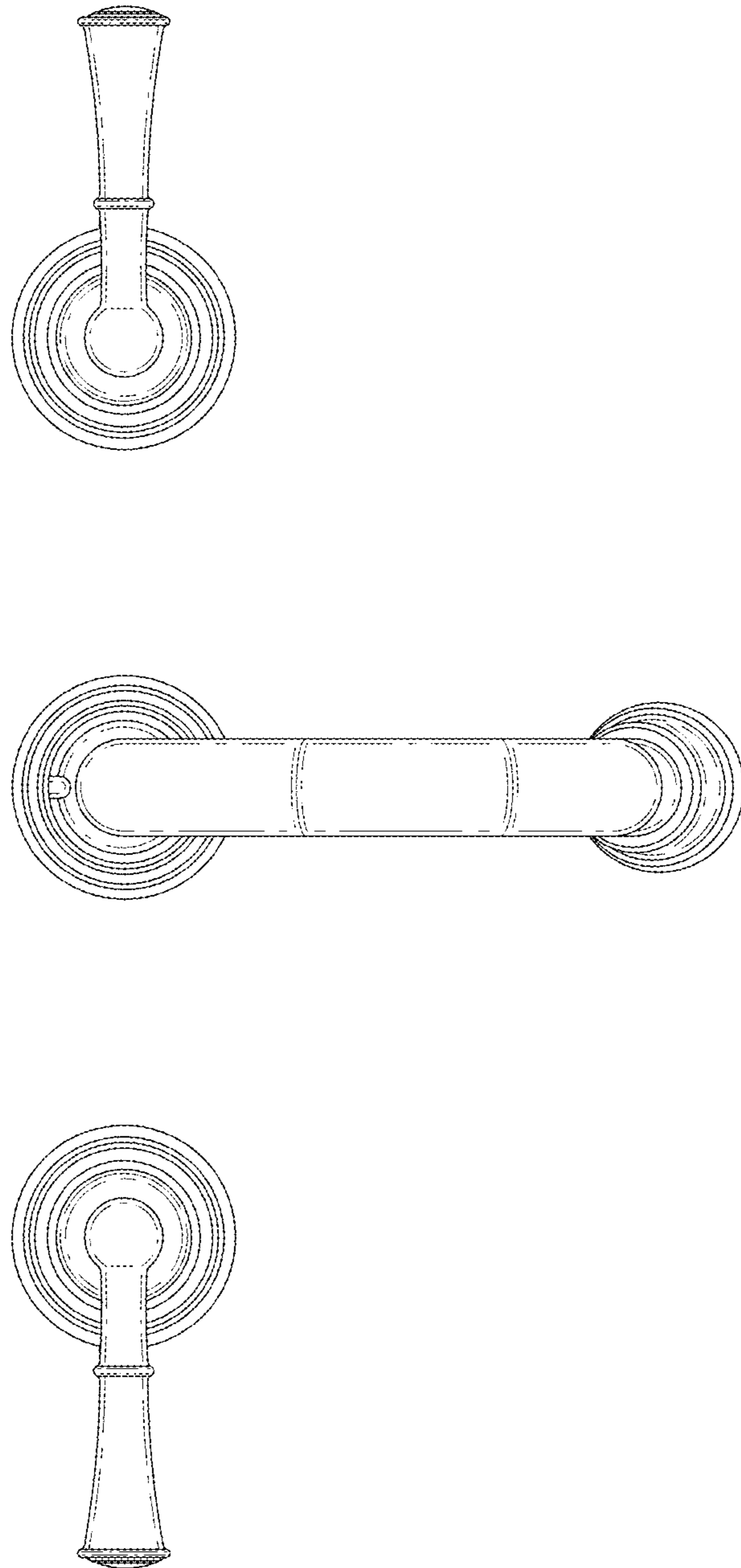


FIG. 6

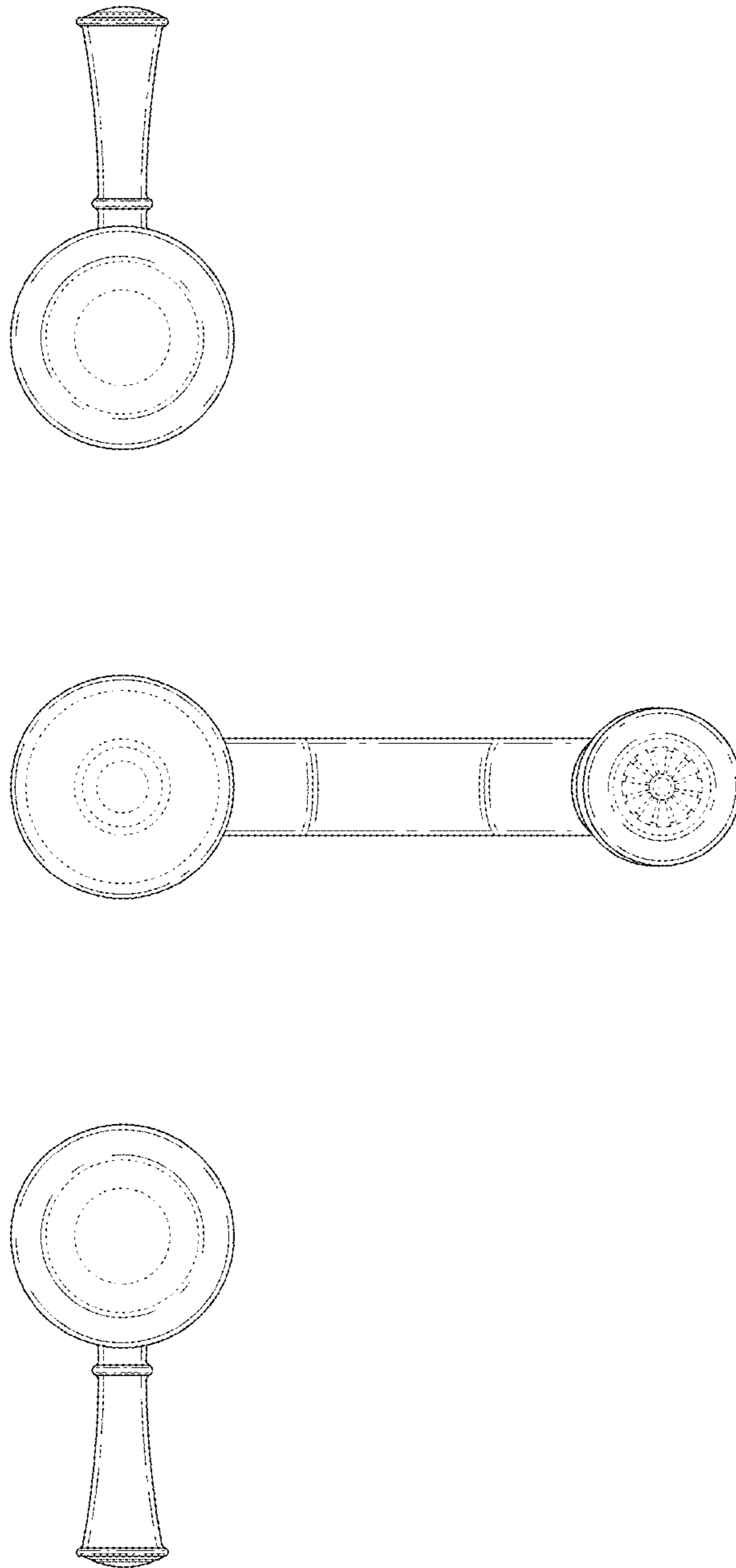


FIG. 7