



US00D930792S

(12) **United States Design Patent** (10) **Patent No.:** **US D930,792 S**
Fritz (45) **Date of Patent:** **** Sep. 14, 2021**

(54) **FAUCET**
(71) Applicant: **DELTA FAUCET COMPANY,**
Indianapolis, IN (US)
(72) Inventor: **Seth Fritz,** Carmel, IN (US)
(73) Assignee: **DELTA FAUCET COMPANY,**
Indianapolis, IN (US)
(**) Term: **15 Years**
(21) Appl. No.: **29/735,146**
(22) Filed: **May 19, 2020**
(51) **LOC (13) Cl.** **23-01**
(52) **U.S. Cl.**
USPC **D23/238**
(58) **Field of Classification Search**
USPC D23/238-244, 252, 254-255, 257;
D8/307-308
CPC F16K 31/602; F16K 31/605; F16K 31/607;
E03C 1/0412
See application file for complete search history.

(56) **References Cited**

U.S. PATENT DOCUMENTS

D686,300 S *	7/2013	Fritz	D23/238
D786,405 S *	5/2017	Schaubach	D23/238
D822,170 S *	7/2018	Haug	D23/238
D835,236 S *	12/2018	Ziemann	D23/238
D835,237 S *	12/2018	Ziemann	D23/238
D847,951 S *	5/2019	Zhang	D23/238
D867,532 S *	11/2019	Liao	D23/238
D870,851 S *	12/2019	Tentler	D23/238
D870,852 S *	12/2019	Eads	D23/238
D871,545 S *	12/2019	Wang	D23/238
D871,547 S *	12/2019	Eads	D23/238
D872,234 S *	1/2020	Stoler	D23/238
D872,235 S *	1/2020	Garland	D23/238
D873,379 S *	1/2020	Fritz	D23/238
D873,380 S *	1/2020	Judge	D23/238
D873,960 S *	1/2020	Fritz	D23/238

D874,613 S *	2/2020	Park	D23/238
D879,914 S *	3/2020	Lazarini	D23/238
D895,068 S *	9/2020	Johnson	D23/238
D913,440 S *	3/2021	Zeng	D23/238

(Continued)

FOREIGN PATENT DOCUMENTS

CN 304817718 * 8/2018

OTHER PUBLICATIONS

Moen Brantford Motionsense Wave Touchless One-Handle Pulldown Kitchen Faucet, announced Dec. 1, 2018[online], [site visited May 4, 2021]. Available from internet, URL:<<https://www.amazon.com/Moen-Brantford-Motionsense-One-Handle-7185EWC/dp/B07MHJX584>> (Year: 2018).*

(Continued)

Primary Examiner — Barbara Fox
Assistant Examiner — Jamaal Rasheed
(74) *Attorney, Agent, or Firm* — Nirav D. Parikh; Edgar A. Zarins

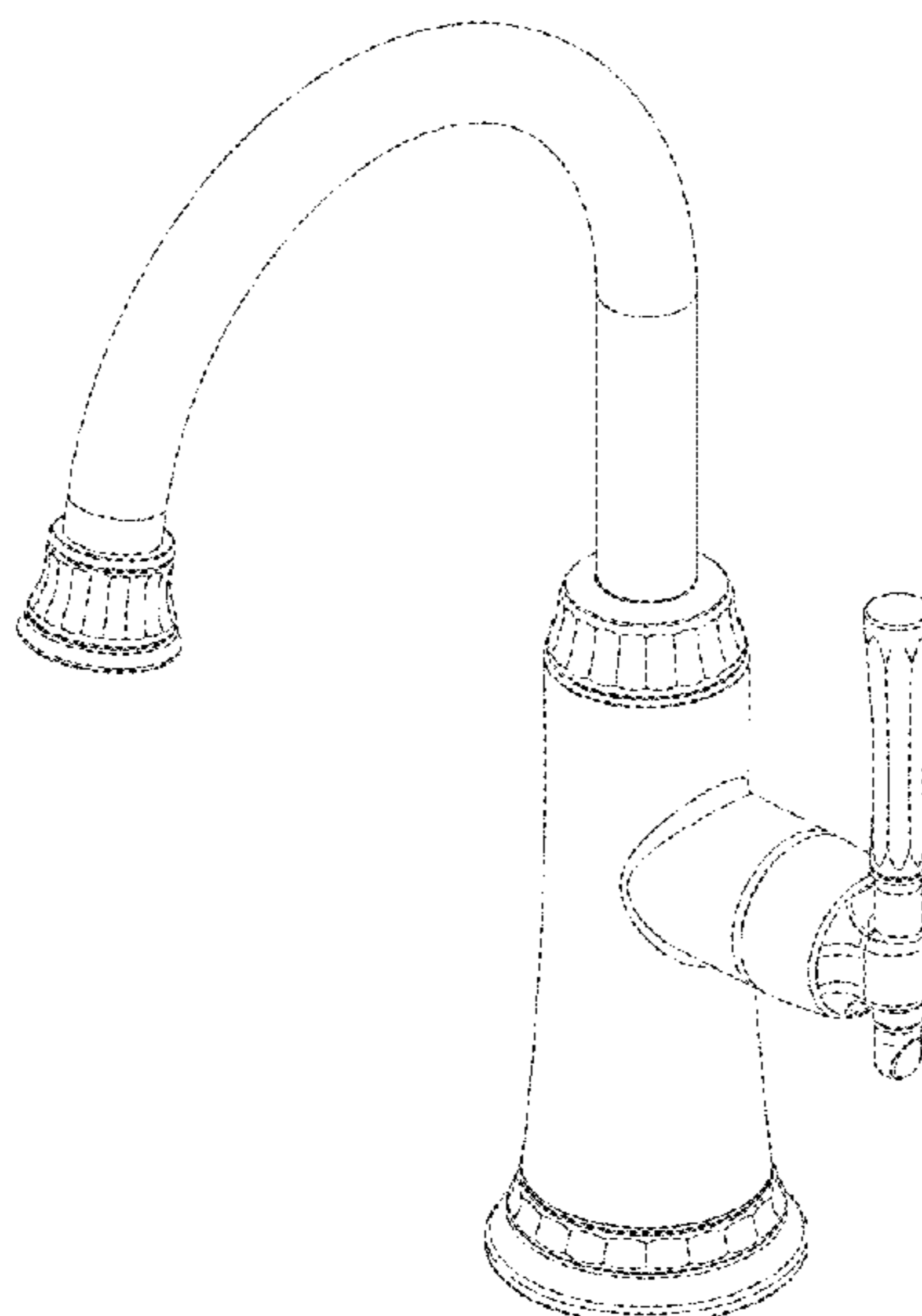
(57) **CLAIM**

The ornamental design for a faucet, as shown and described.

DESCRIPTION

FIG. 1 is a front left perspective view of a faucet showing my new design;
FIG. 2 is a front right perspective view thereof;
FIG. 3 is a front elevational view thereof;
FIG. 4 is a left side view thereof;
FIG. 5 is a rear view thereof;
FIG. 6 is a right side view thereof;
FIG. 7 is a top plan view thereof; and,
FIG. 8 is a bottom view thereof.
The broken lines shown in the figures depict portions of the faucet that form no part of the claimed design.

1 Claim, 4 Drawing Sheets



(56)

References Cited

U.S. PATENT DOCUMENTS

D914,144 S * 3/2021 Levi D23/238
D914,846 S * 3/2021 Zhang D23/238
D914,847 S * 3/2021 Zhang D23/238

OTHER PUBLICATIONS

Moen S53004 Weymouth Shepherd's Hook Pulldown Kitchen Bar
Faucet Featuring Metal Wand with Power Clean, announced Dec.
17, 2018[online], [site visited May 4, 2021]. Available from inter-
net, URL:<<https://www.amazon.com/Moen-S53004NL-Weymouth-Shepherds-Featuring/dp/B07PZDPK11?th=1>> (Year: 2018).*

* cited by examiner

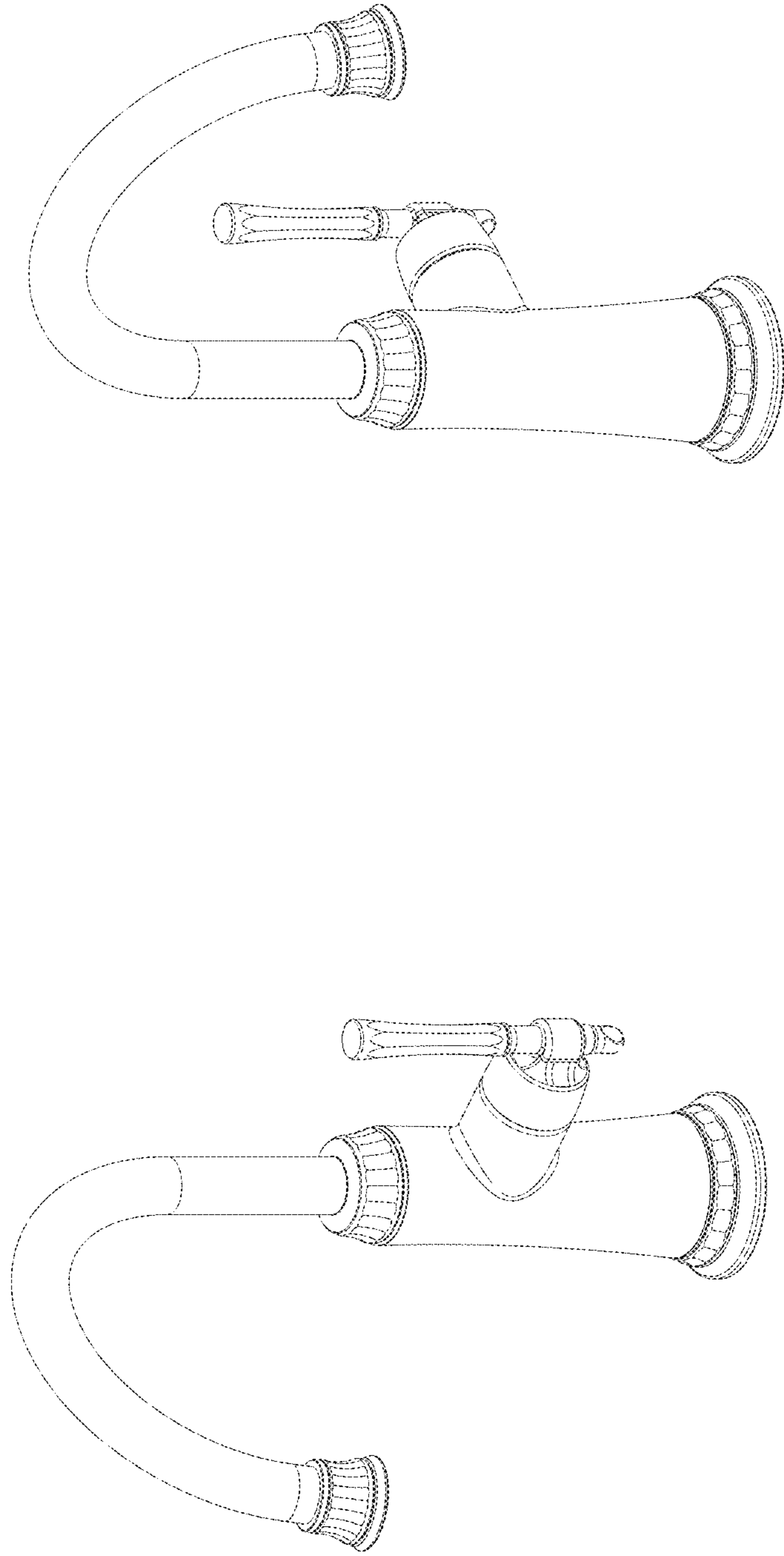


FIG-2

FIG-1

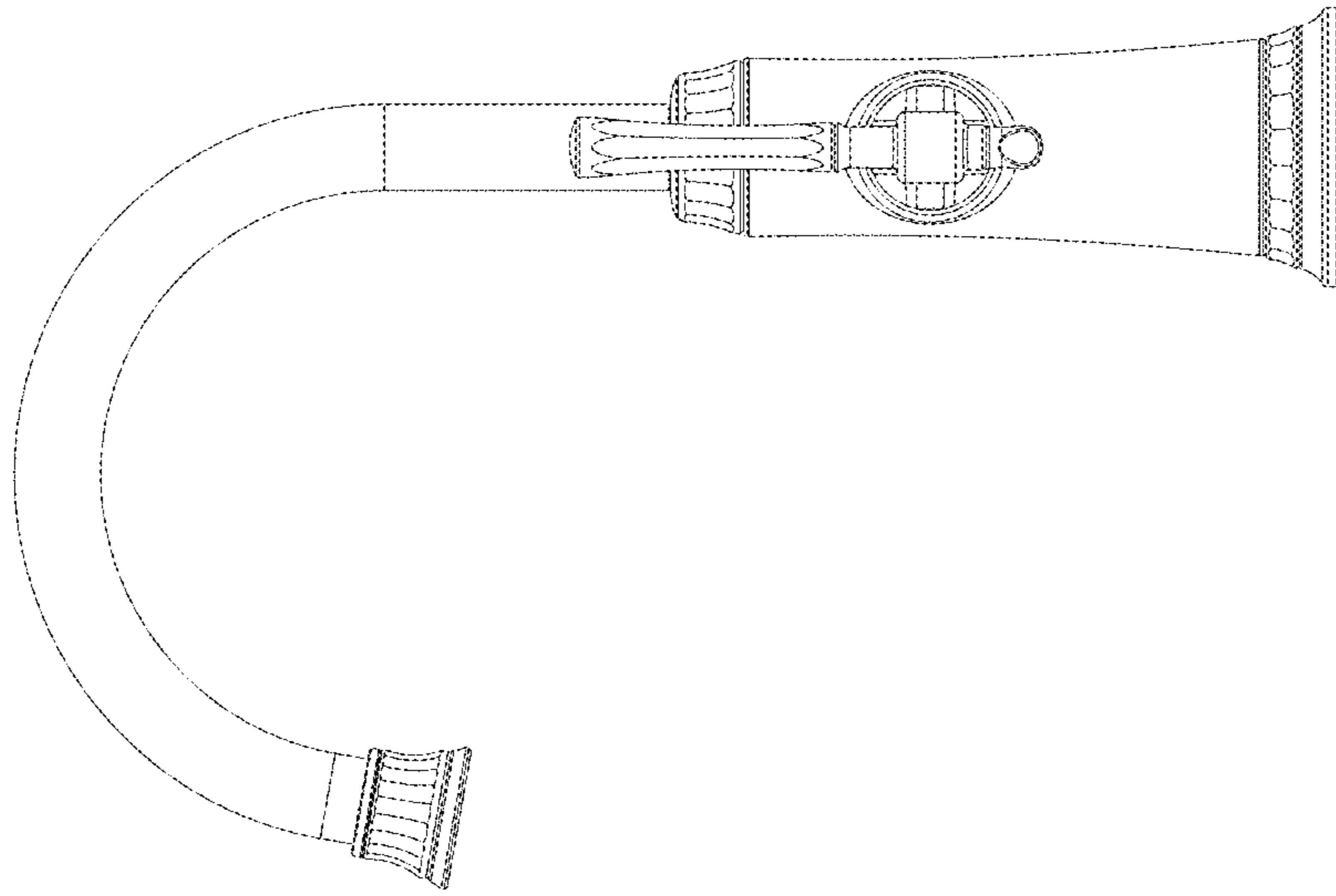


FIG-4

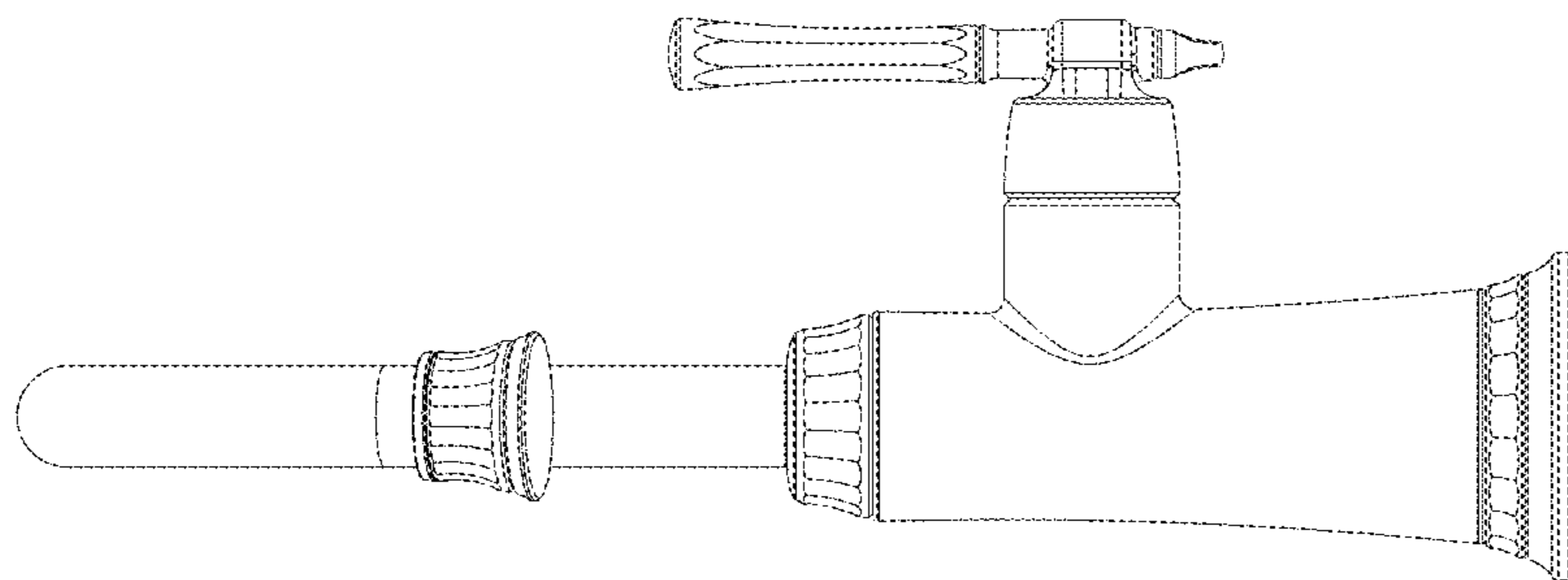


FIG-3

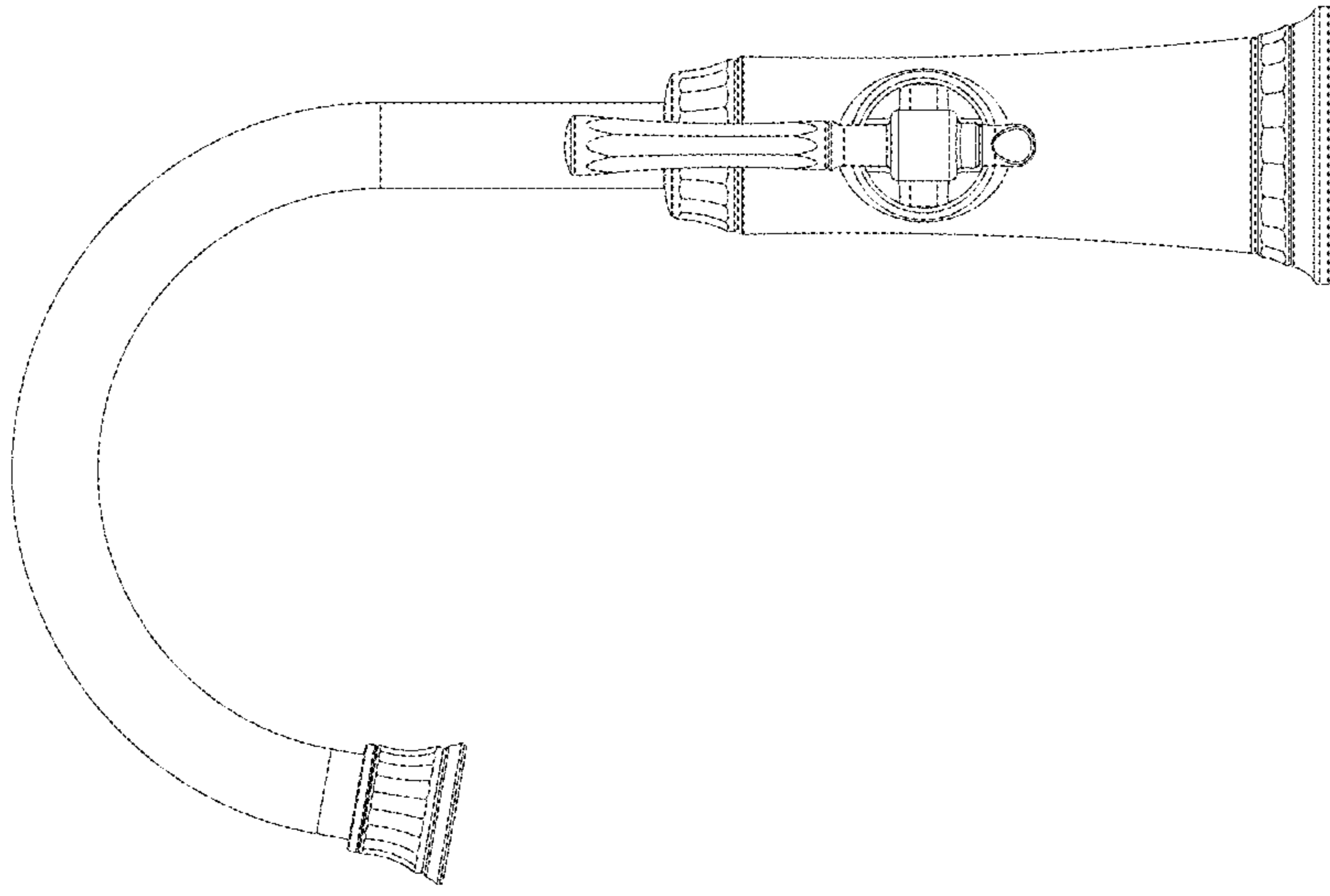


FIG-6

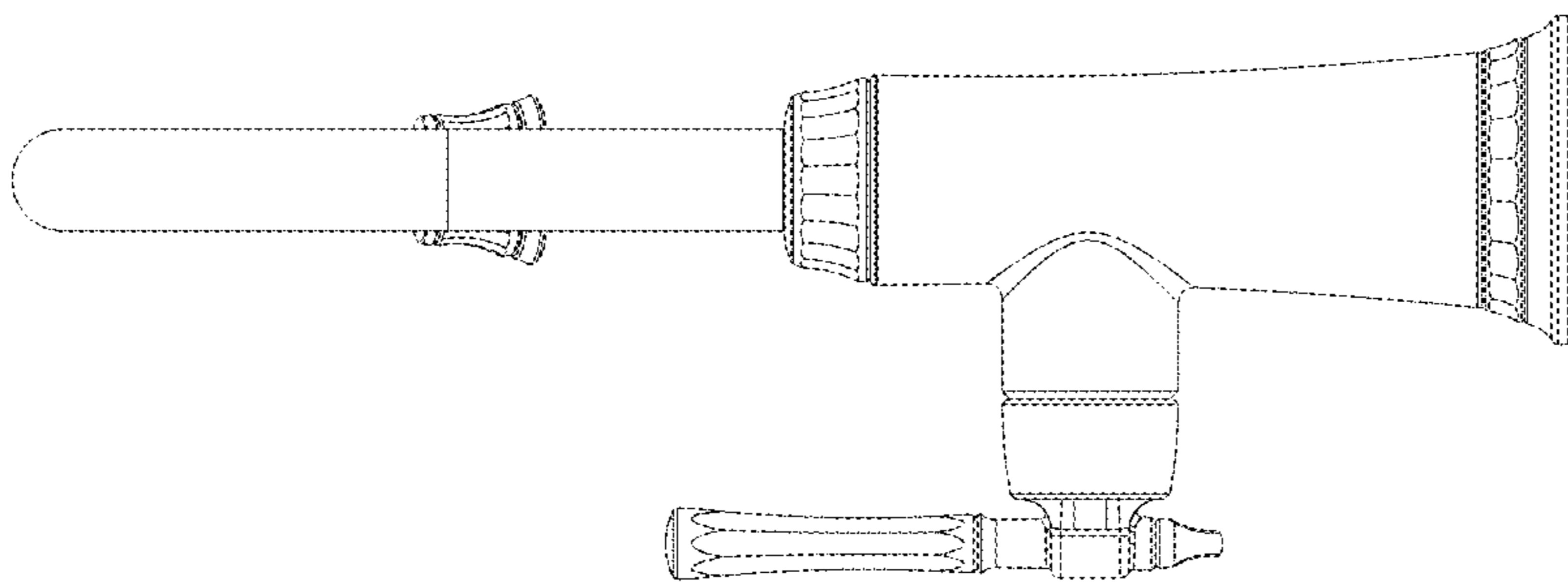


FIG-5

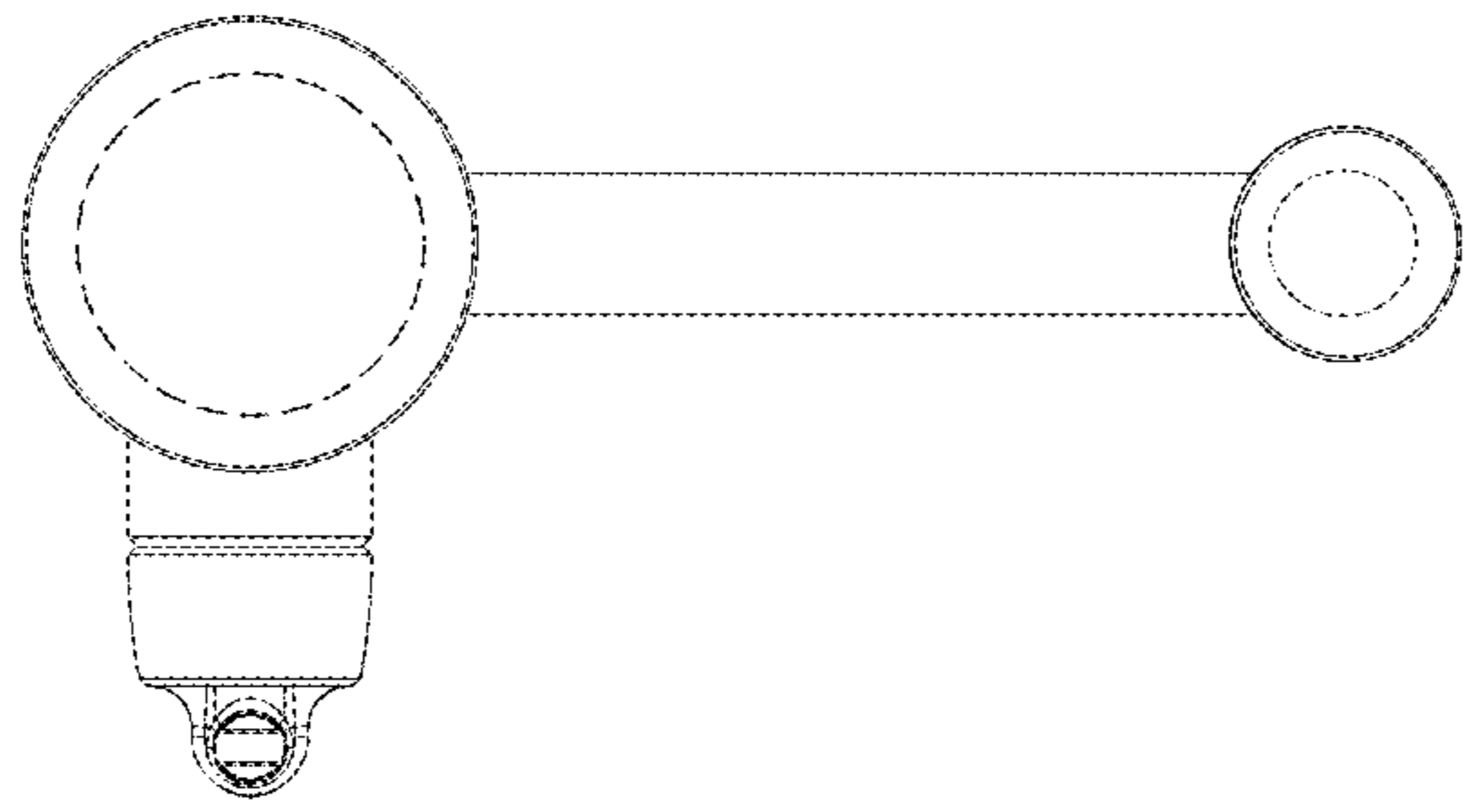


FIG-8

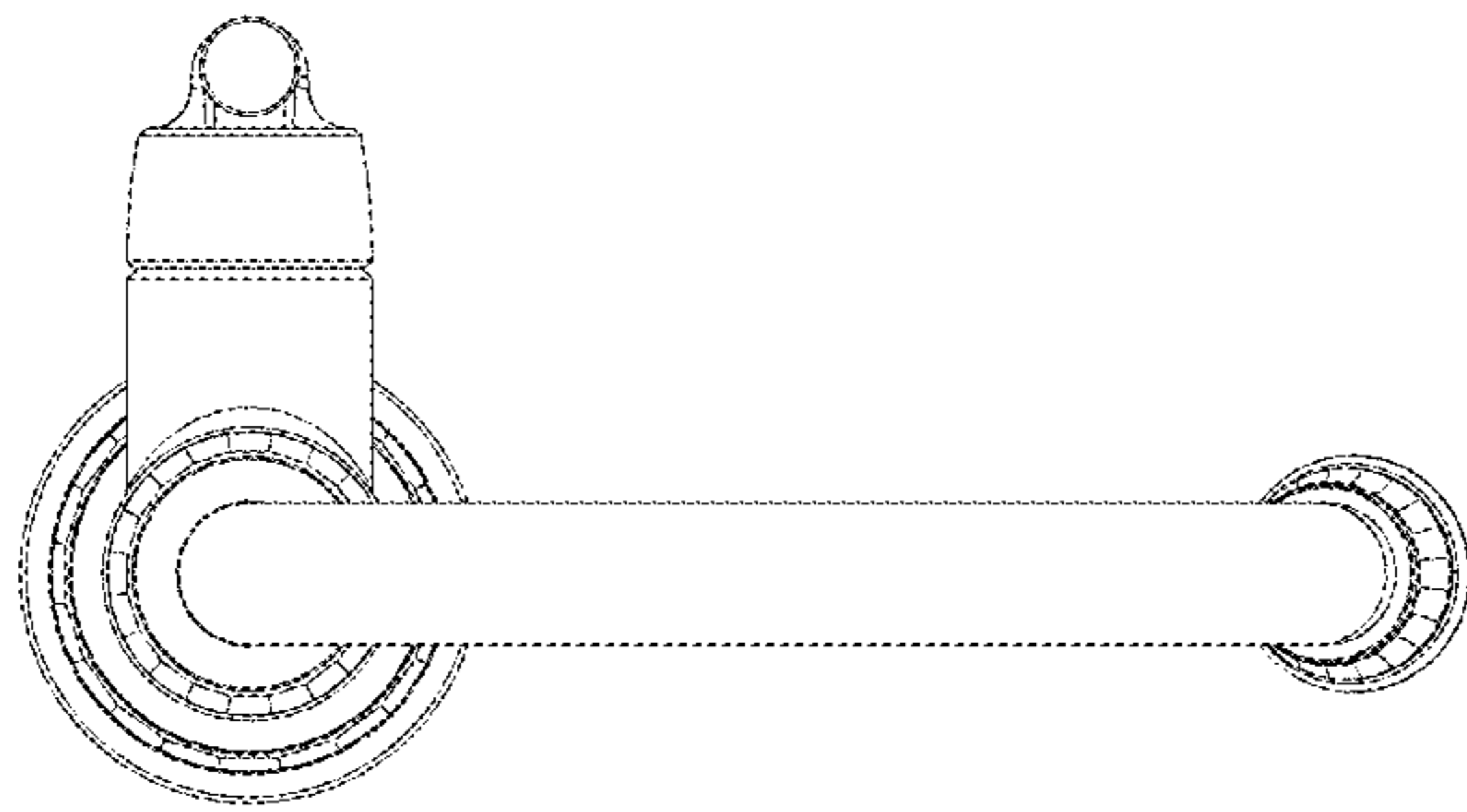


FIG-7