



US00D930791S

(12) **United States Design Patent** (10) **Patent No.:** **US D930,791 S**
Williams et al. (45) **Date of Patent:** **** Sep. 14, 2021**

(54) **FAUCET**

FOREIGN PATENT DOCUMENTS

(71) Applicant: **AS America, Inc.**, Piscataway, NJ (US)

CN 304567418 * 9/2017

(72) Inventors: **Emilie Williams**, New York, NY (US);
Jian Zhang, Guangzhou (CN)

OTHER PUBLICATIONS

(73) Assignee: **AS America, Inc.**, Piscataway, NJ (US)

Grohe 31492000 Concetto Professional Single-Handle Kitchen Faucet, first available Apr. 7, 2017[online],[site visited May 4, 2021]. Available from internet, URL:<<https://www.amazon.com/31492000-Concetto-Semi-Pro-Kitchen-StarLight/dp/B06Y43WTQP?th=1>> (Year: 2017).*

(**) Term: **15 Years**

(21) Appl. No.: **29/725,629**

(Continued)

(22) Filed: **Feb. 26, 2020**

Primary Examiner — Barbara Fox

Assistant Examiner — Jamaal Rasheed

(30) **Foreign Application Priority Data**

Aug. 28, 2019 (CN) 201930470104.2

(74) *Attorney, Agent, or Firm* — Tyler A. Stevenson;
Anna-Lisa L. Gallo

(51) **LOC (13) Cl.** **23-01**

(52) **U.S. Cl.**
USPC **D23/238**

(57) **CLAIM**

(58) **Field of Classification Search**
USPC D23/238–244, 252, 254–255, 257;
D8/307–308

We claim the ornamental design for a faucet, shown and described.

CPC F16K 31/602; F16K 31/605; F16K 31/607;
E03C 1/0412

DESCRIPTION

See application file for complete search history.

(56) **References Cited**

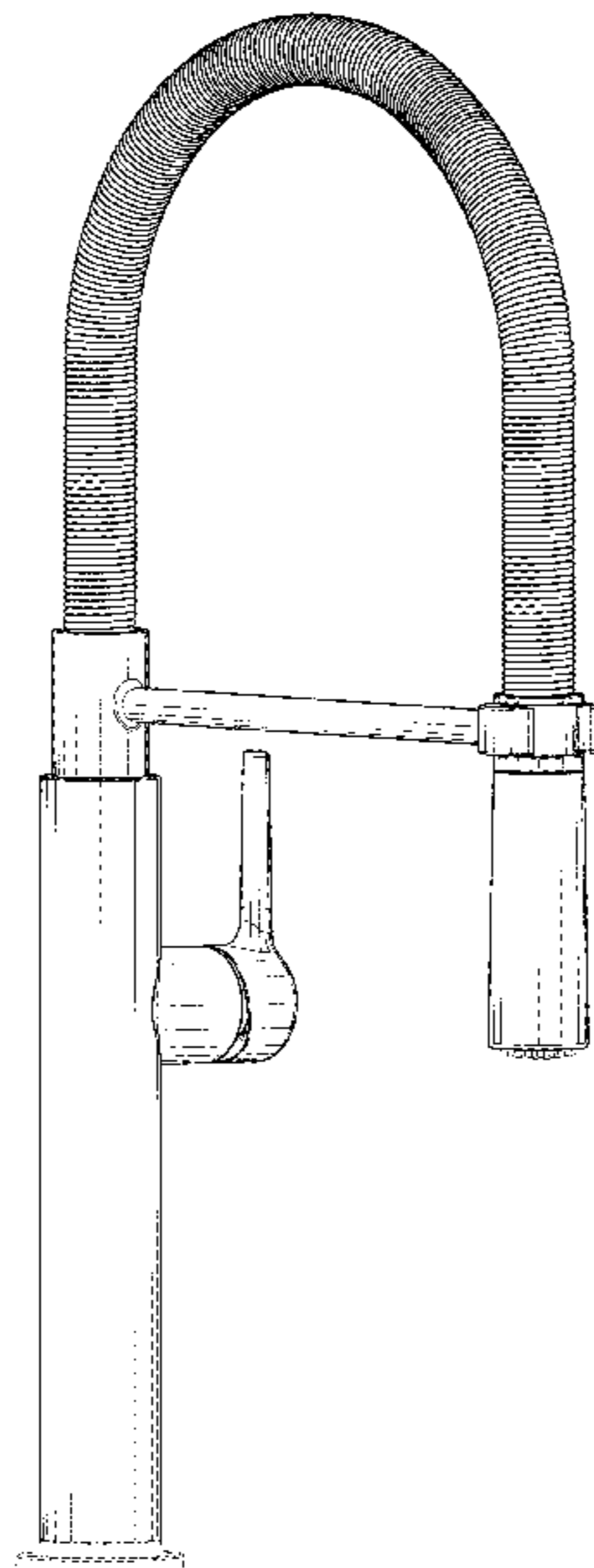
FIG. 1 is a top, front, left side perspective view of a faucet showing our new design;
FIG. 2 is a front view thereof;
FIG. 3 is a rear view thereof;
FIG. 4 is a left side view thereof;
FIG. 5 is a right side view thereof;
FIG. 6 is a top view thereof; and,
FIG. 7 is a bottom view thereof.

U.S. PATENT DOCUMENTS

D733,259 S	*	6/2015	Flowers	D23/238
D735,298 S	*	7/2015	Eads	D23/238
D802,720 S	*	11/2017	Haug	D23/238
D804,615 S	*	12/2017	Seum	D23/238
D840,511 S	*	2/2019	Garland	D23/242
D862,648 S	*	10/2019	Zeng	D23/238
D864,356 S	*	10/2019	Zhang	D23/238
D905,203 S	*	12/2020	Zhang	D23/238
D905,204 S	*	12/2020	Zhang	D23/238
D913,442 S	*	3/2021	Sieger	D23/238
D914,143 S	*	3/2021	Levi	D23/238

The broken lines immediately adjacent to the shaded areas represent the bounds of the claim, while the other broken lines depict portions of the faucet. The broken lines form no part of the claimed design.

1 Claim, 5 Drawing Sheets



(56)

References Cited

OTHER PUBLICATIONS

Delta Faucet Trinsic Pro Single-Handle Spring Spout Kitchen Sink Faucet, first available Jul. 25, 2016[online], [site visited May 4, 2021]. Available from internet, URL:<<https://www.amazon.com/Trinsic-Single-Handle-Kitchen-Magnetic-9659-DST/dp/B01J873OJY>> (Year: 2016).*

Hansgrohe Talis Loop 1-Handle Tall Kitchen Faucet, first available Nov. 16, 2017[online], [site visited May 4, 2021]. Available from internet, URL:<<https://www.amazon.com/Hansgrohe-04700005-Kitchen-Faucet-Height/dp/B077JHLP5Y>> (Year: 2017).*

* cited by examiner

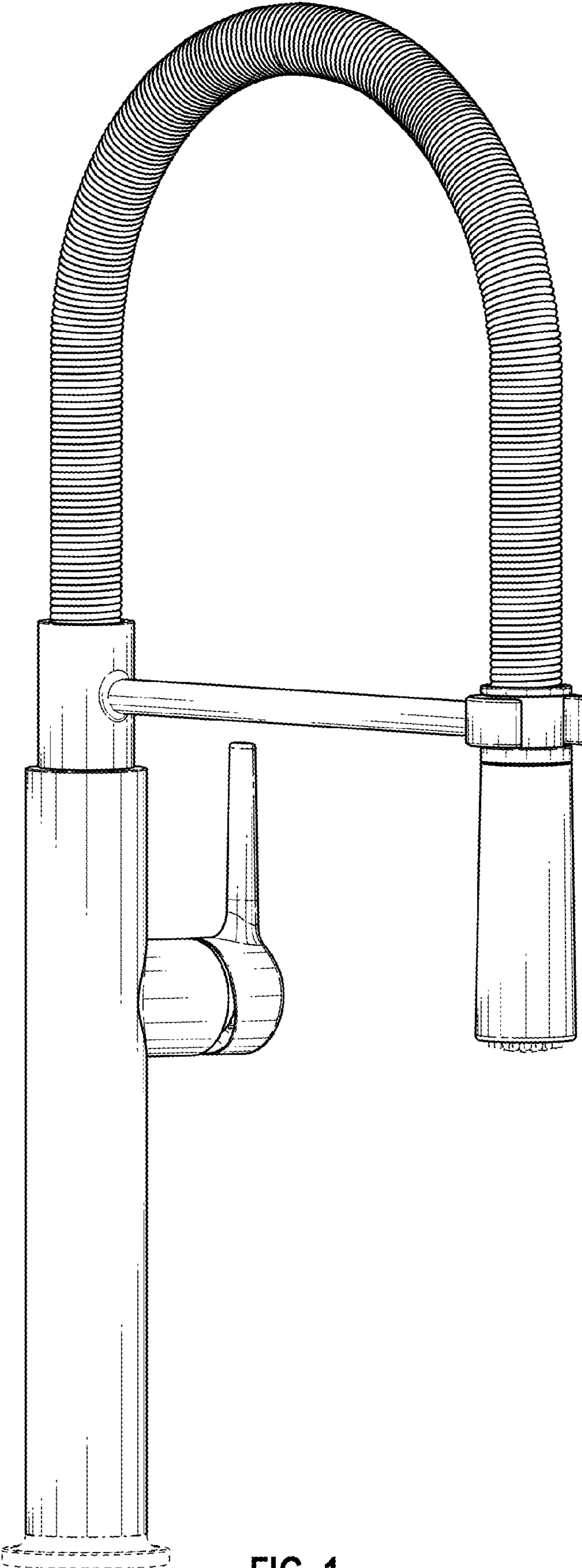


FIG. 1

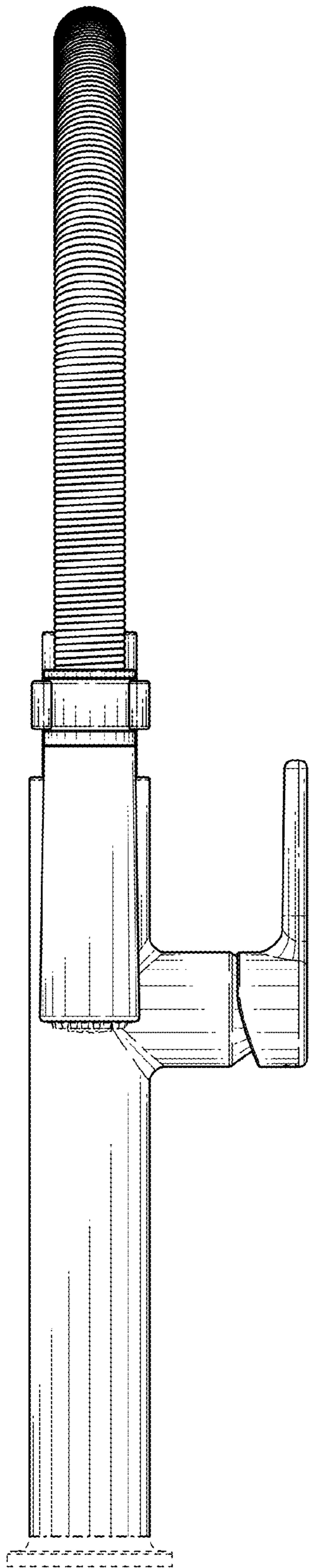


FIG. 2

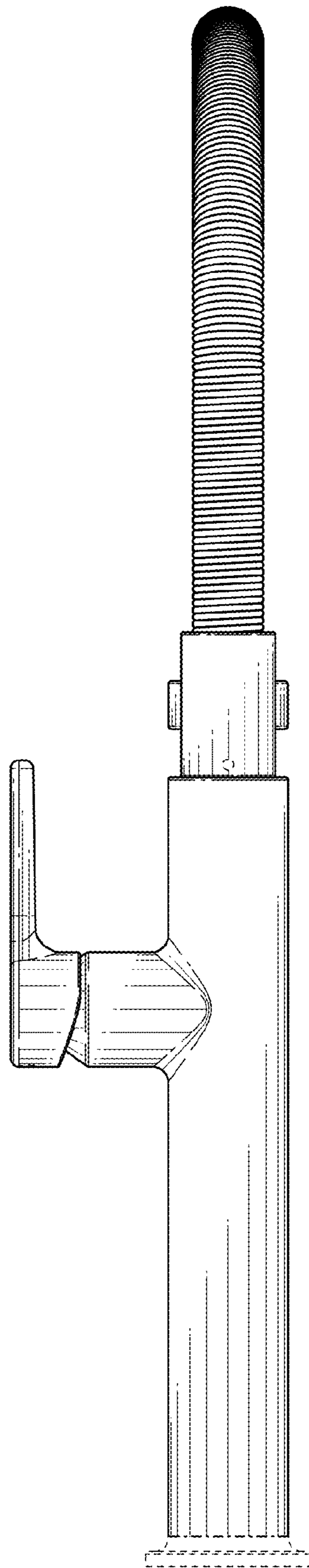


FIG. 3

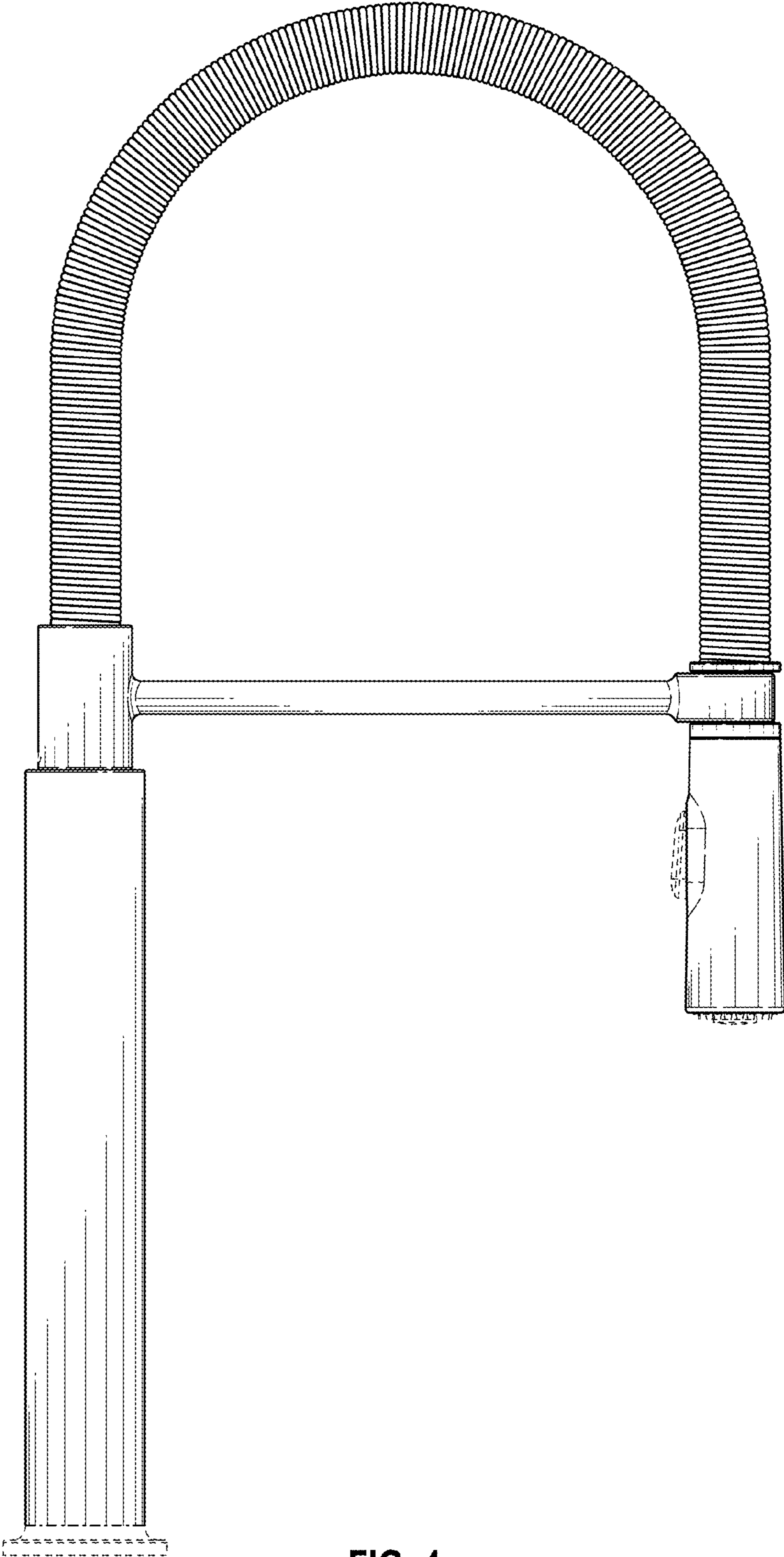


FIG. 4

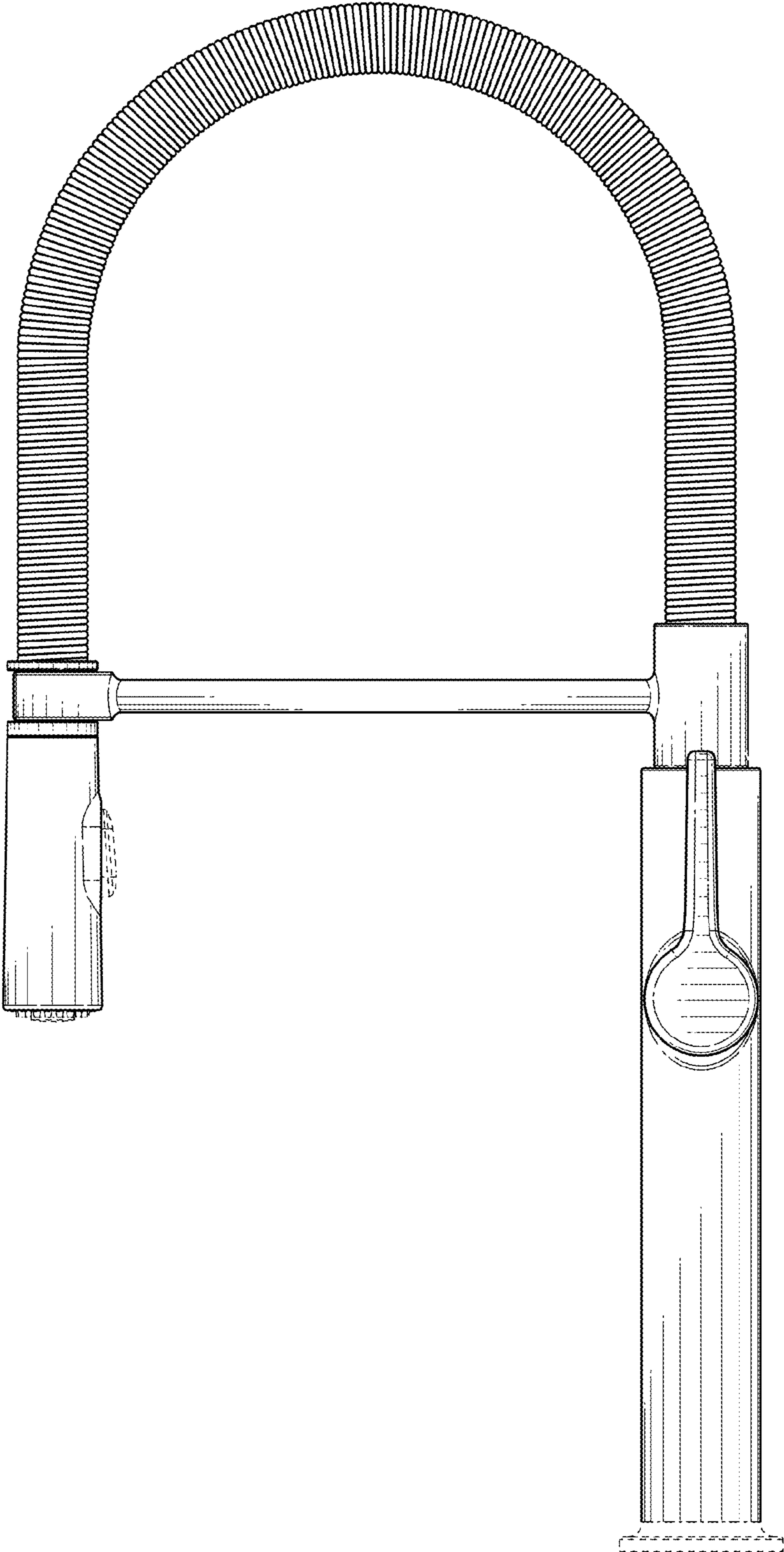


FIG. 5

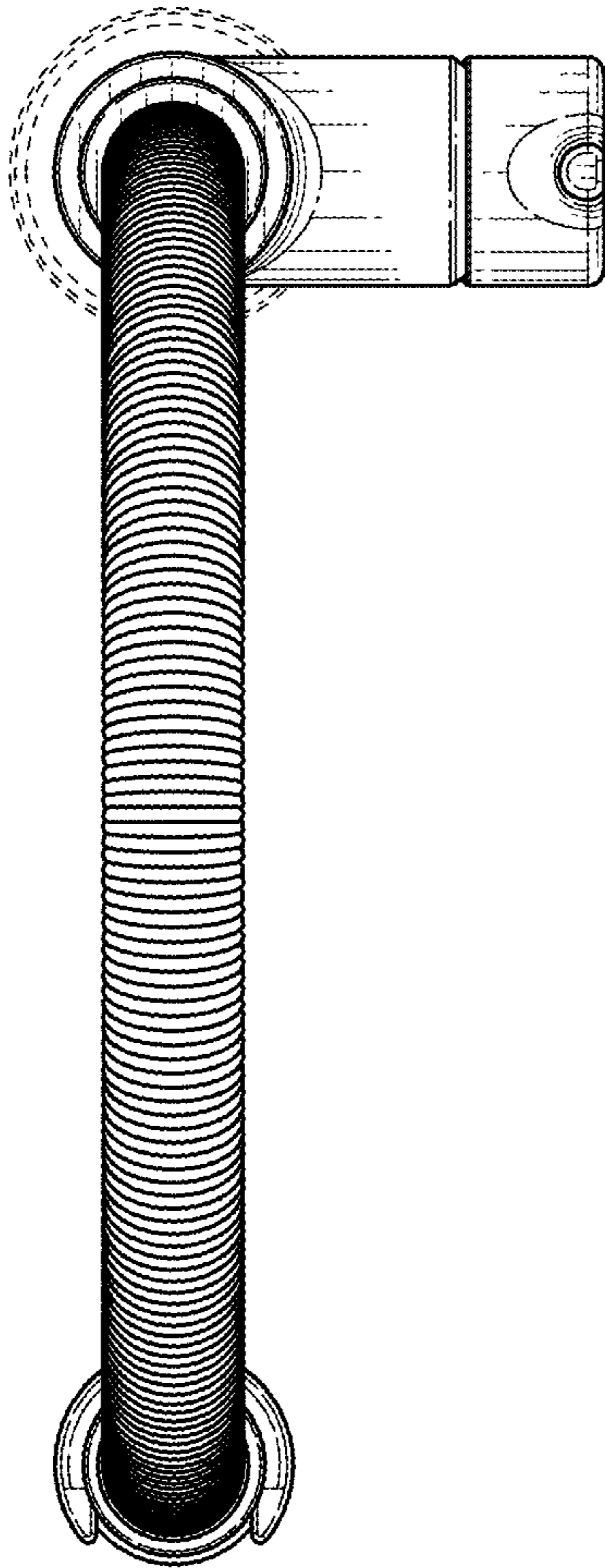


FIG. 6

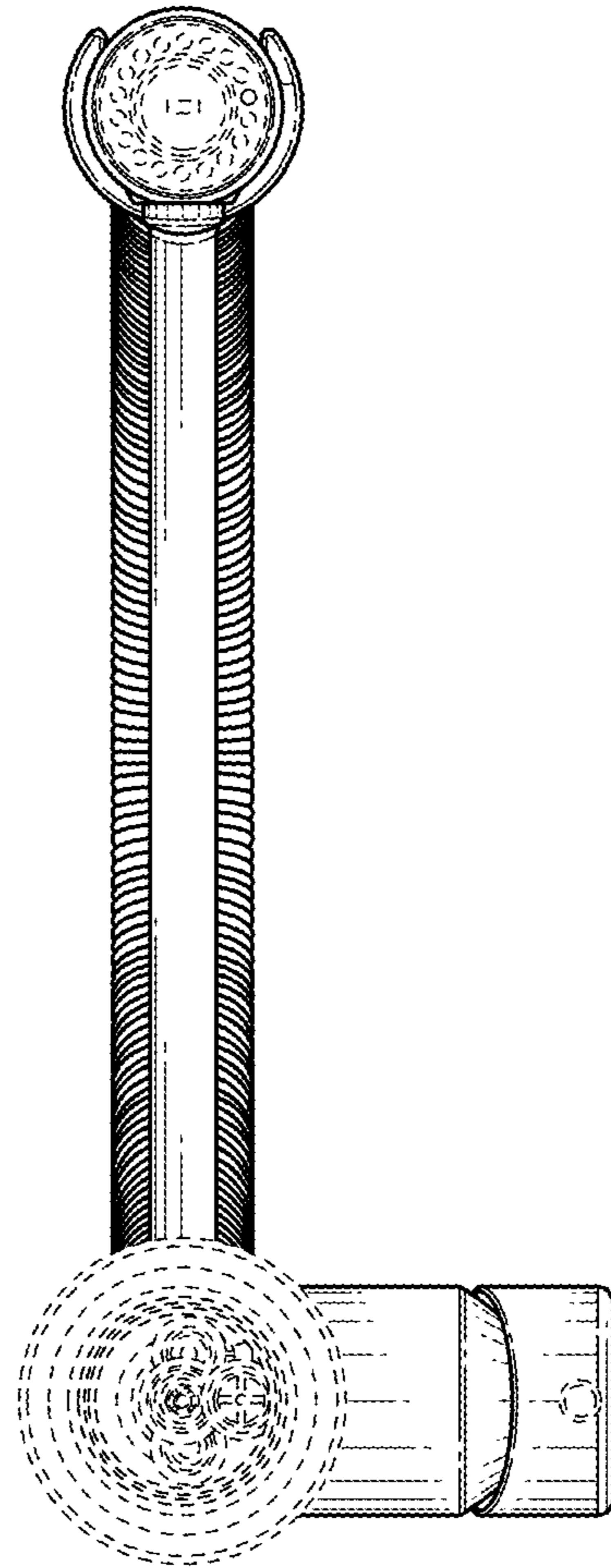


FIG. 7