



US00D930789S

(12) **United States Design Patent**  
**McGehee**

(10) **Patent No.:** **US D930,789 S**

(45) **Date of Patent:** **\*\* Sep. 14, 2021**

(54) **SPRAY NOZZLE**

(71) Applicant: **Scott J. McGehee**, Seminole, FL (US)

(72) Inventor: **Scott J. McGehee**, Seminole, FL (US)

(\*\*) Term: **15 Years**

(21) Appl. No.: **29/715,951**

(22) Filed: **Dec. 5, 2019**

(51) **LOC (13) Cl.** ..... **23-01**

(52) **U.S. Cl.**  
USPC ..... **D23/213**

(58) **Field of Classification Search**

USPC ..... D23/213, 214, 215, 223, 224, 226, 229;  
D15/144, 144.2

CPC ..... A61H 9/0021; A61H 33/00; B05B 1/00;  
B05B 1/14; B05B 1/185; B05B 1/08;  
B05B 1/02; B05B 1/26; B05B 12/002;  
B05B 1/18; B05B 9/01

See application file for complete search history.

(56) **References Cited**

U.S. PATENT DOCUMENTS

D256,720 S *	9/1980	Watson	.....	D23/213
D285,596 S *	9/1986	Gimple	.....	D23/213
D341,418 S *	11/1993	Akimoto	.....	D23/213
D354,295 S *	1/1995	Walsh	.....	D15/144.2
D354,296 S *	1/1995	Walsh	.....	D15/144.2
D365,830 S *	1/1996	Hubbard	.....	D15/144.2
D367,228 S *	2/1996	Woods	.....	D23/213
D367,660 S *	3/1996	Weston	.....	D15/144.1
D552,716 S *	10/2007	Chastine	.....	D23/233
D762,752 S *	8/2016	Mortimer	.....	D15/138
D851,694 S *	6/2019	Chastine	.....	D15/144
D904,562 S *	12/2020	Stewart	.....	D23/213
D904,565 S *	12/2020	Ross	.....	D23/213
10,875,046 B2 *	12/2020	Morgan	.....	F26B 3/12
D909,606 S *	2/2021	Maibach, Jr.	.....	D24/232
10,961,027 B1 *	3/2021	Laible	.....	B67D 7/0294
D920,471 S *	5/2021	Ross	.....	D23/213
D922,521 S *	6/2021	Ross	.....	D23/213

FOREIGN PATENT DOCUMENTS

EP 3056284 B1 \* 12/2020 ..... B05B 7/1263

OTHER PUBLICATIONS

Lower Pressure Spray Gun All Nozzle for Fuso Seiki Lumina ST-6, Aug. 7, 2018, Amazon.com Mar. 13, 2021: URL <https://www.amazon.com/GZYF-Lower-Pressure-Nozzle-Lumina/dp/B07G76S9SH?th=1> (Year: 2018).\*

Simpson 5-N-1 Spray Nozzle, Up to 3600 PSI, 80142, Jan. 2015, tractorsupply.com, Jul. 9, 2021. URL: <https://www.tractorsupply.com/tsc/product/simpson-universal-pressure-washer-5n1-nozzle-rated-up-to-3-400-psi> (Year: 2015).\*

(Continued)

*Primary Examiner* — Jack Reickel

*Assistant Examiner* — Keith J Wilson

(74) *Attorney, Agent, or Firm* — Larson & Larson, P.A.;  
Justin P. Miller; Frank Liebenow

(57) **CLAIM**

I claim the ornamental design for a spray nozzle, as shown and described.

**DESCRIPTION**

FIG. 1 is a perspective view of a spray nozzle showing my new design;

FIG. 2 is a front elevation view thereof;

FIG. 3 is a back elevation thereof;

FIG. 4 is a left-side elevation view thereof;

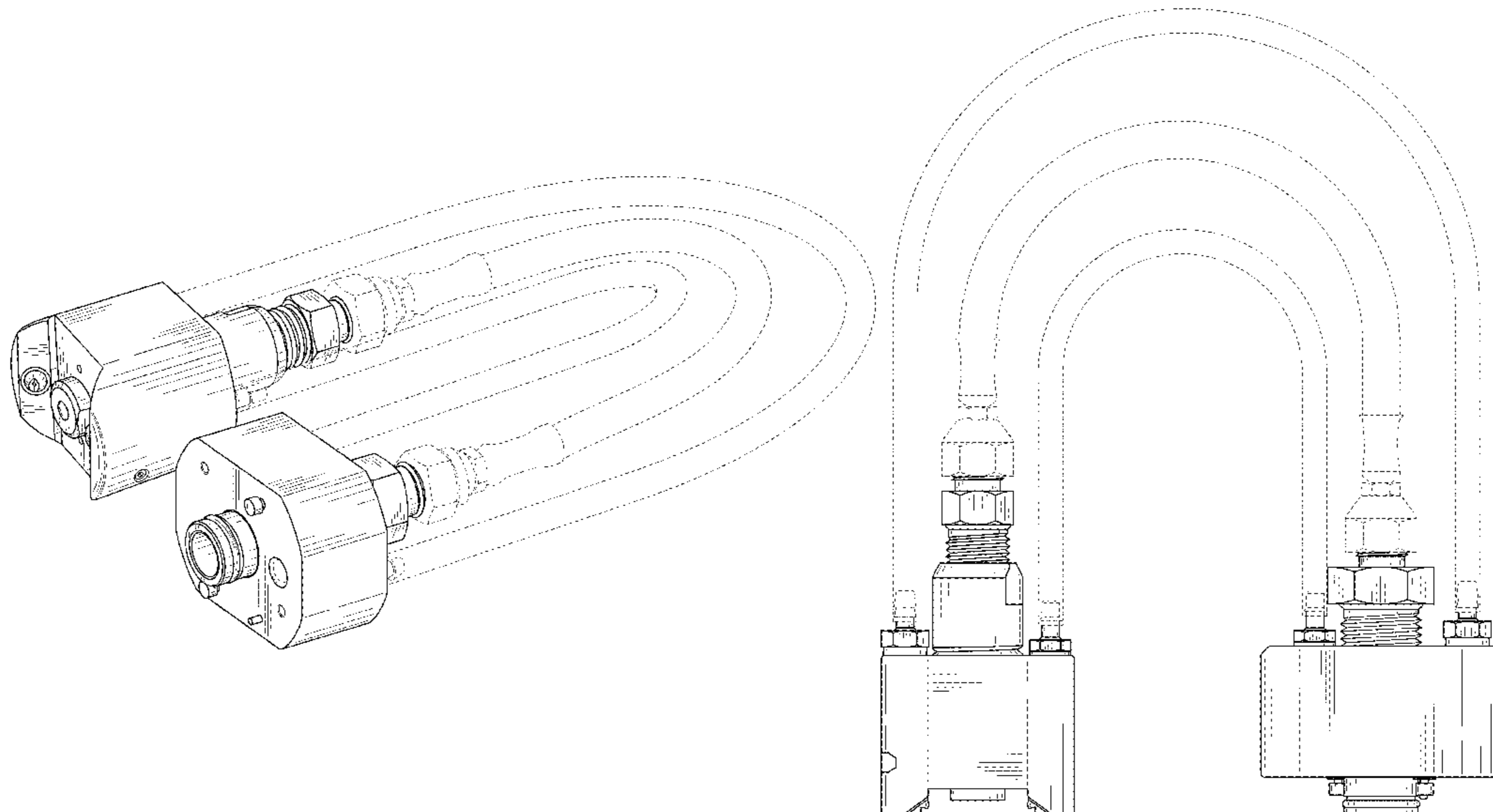
FIG. 5 is a right-side elevation view thereof;

FIG. 6 is a top plan view thereof; and,

FIG. 7 is a bottom plan view thereof.

The broken lines shown represent portions of a spray nozzle and forms no part of the claimed design.

**1 Claim, 7 Drawing Sheets**



(56)

**References Cited**

OTHER PUBLICATIONS

Automatic spray nozzles, Nov. 5, 2015, foodengineeringmag.com, Jul. 9, 2021, URL: <https://www.foodengineeringmag.com/articles/94794-automatic-spray-nozzles> (Year: 2015).\*

Atomizing Spray Nozzle, 0.2 to 0.8 gph, Jan. 14, 2019, Amazon.com, Jul. 9, 2021, URL: <https://www.amazon.com/Atomizing-Spray-Nozzle-0-2-0-8/dp/B07GZKS2M8/>(Year: 2019).\*

Automatic Paint Spray Gun for Wave Soldering Flux Blister Machine (Nozzle Diameter 0.5MM), Oct. 25, 2018, Amazon.com, Jul. 9, 2021, URL: <https://www.amazon.com/Automatic-Soldering-Blister-Machine-Diameter/dp/B07JN7XT9D> (Year: 2018).\*

\* cited by examiner

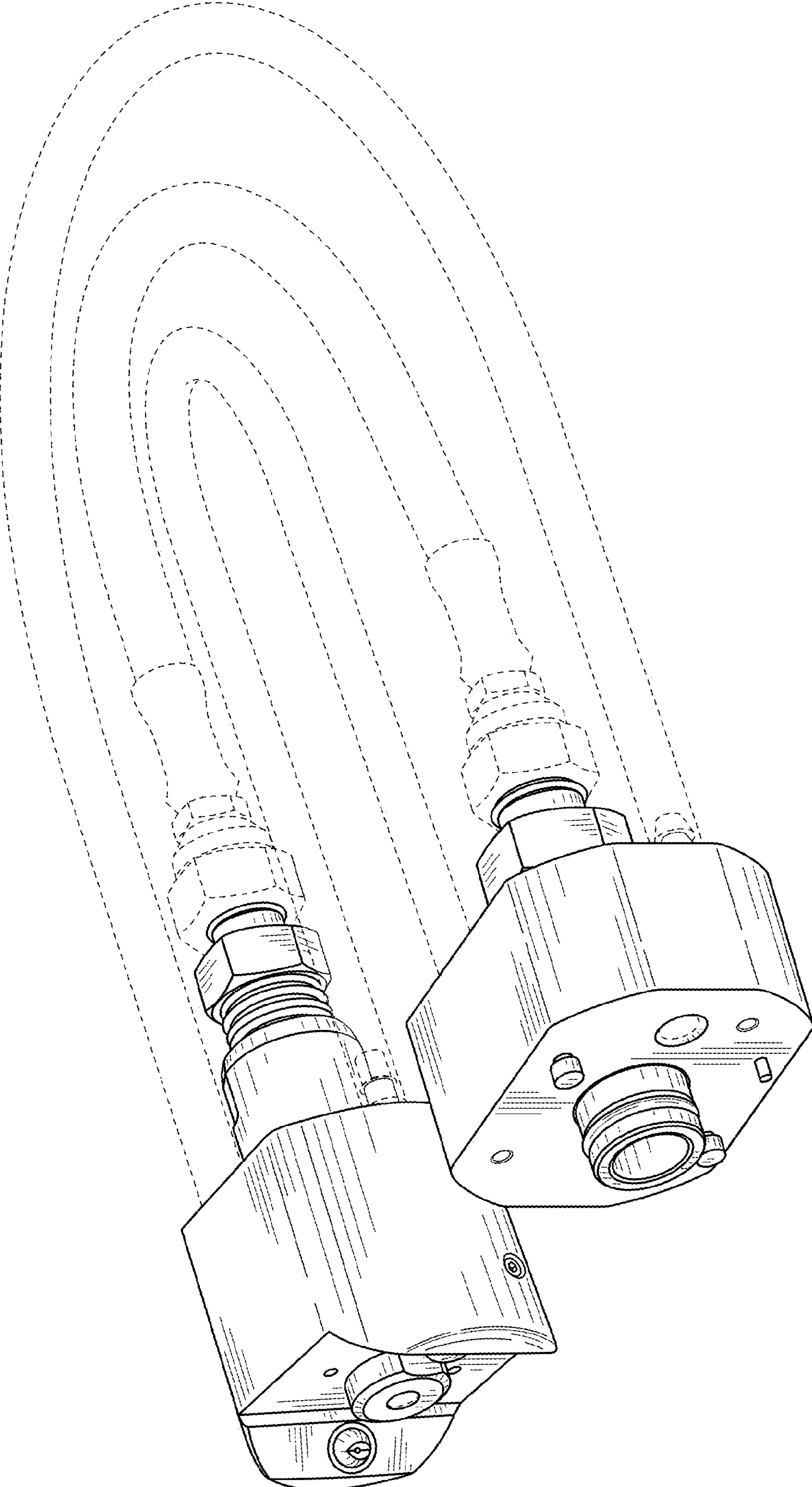


FIG. 1

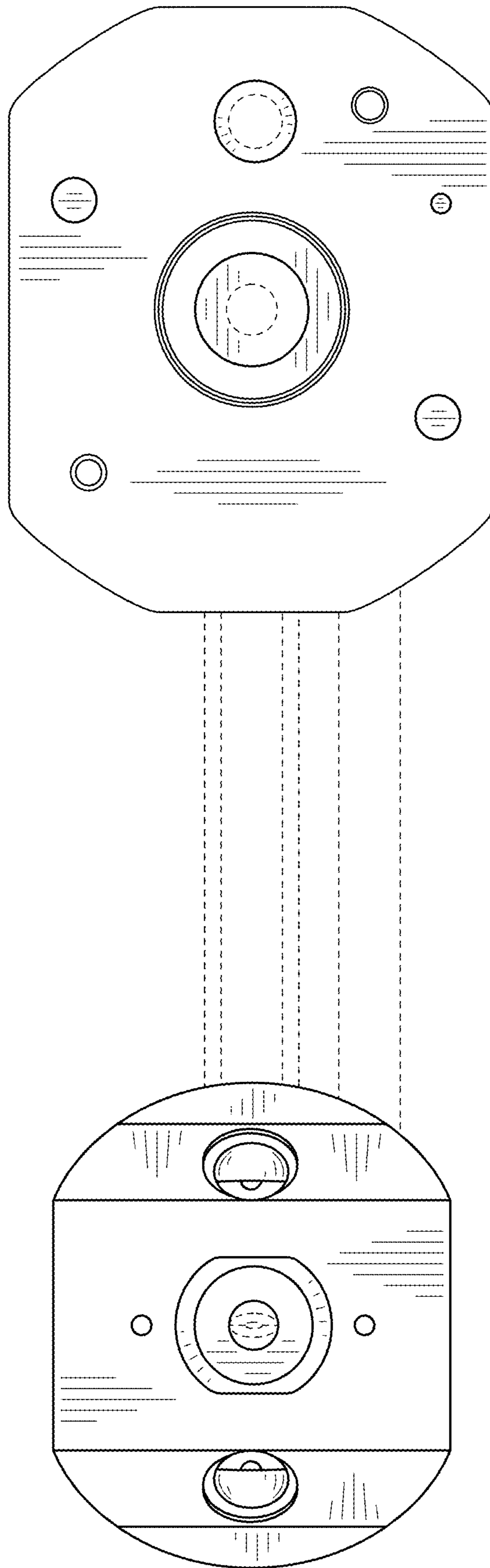


FIG. 2

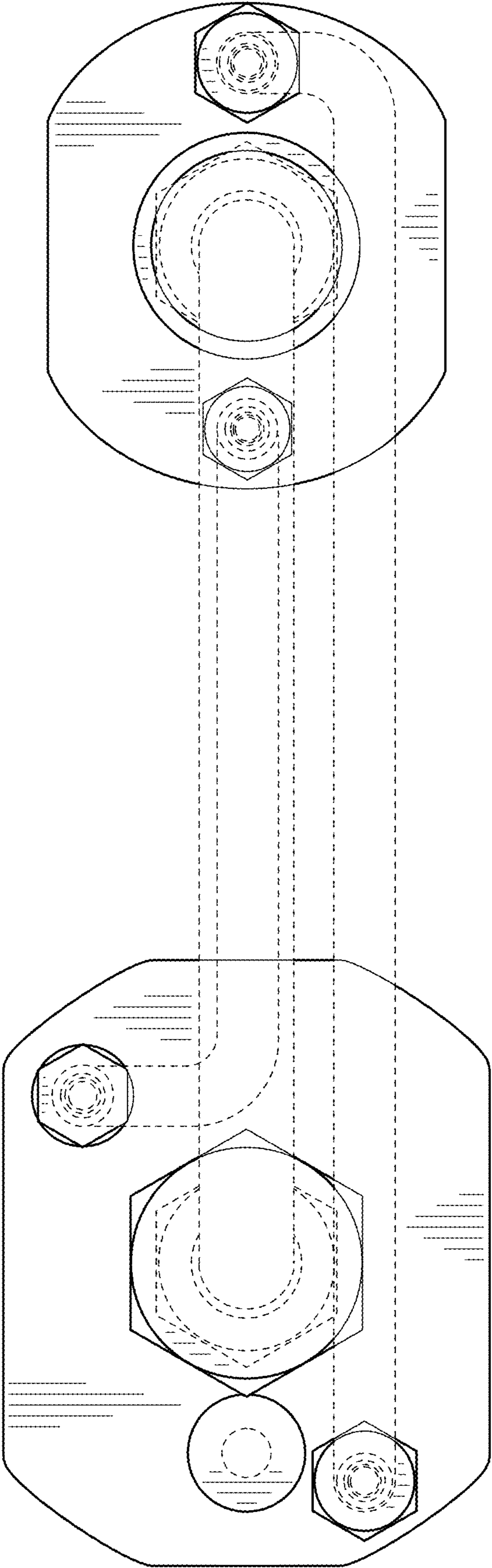


FIG. 3

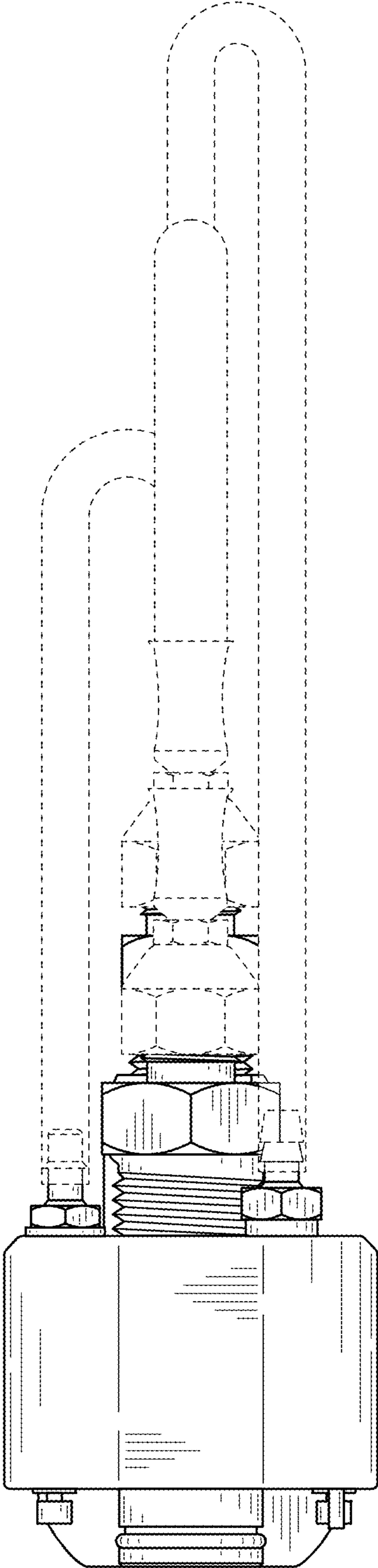


FIG. 4

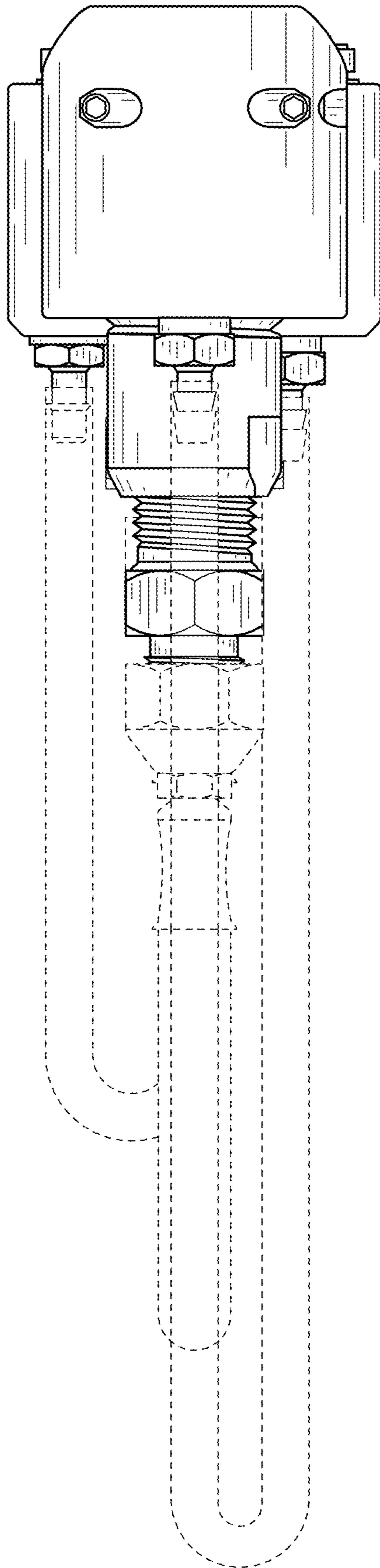


FIG. 5

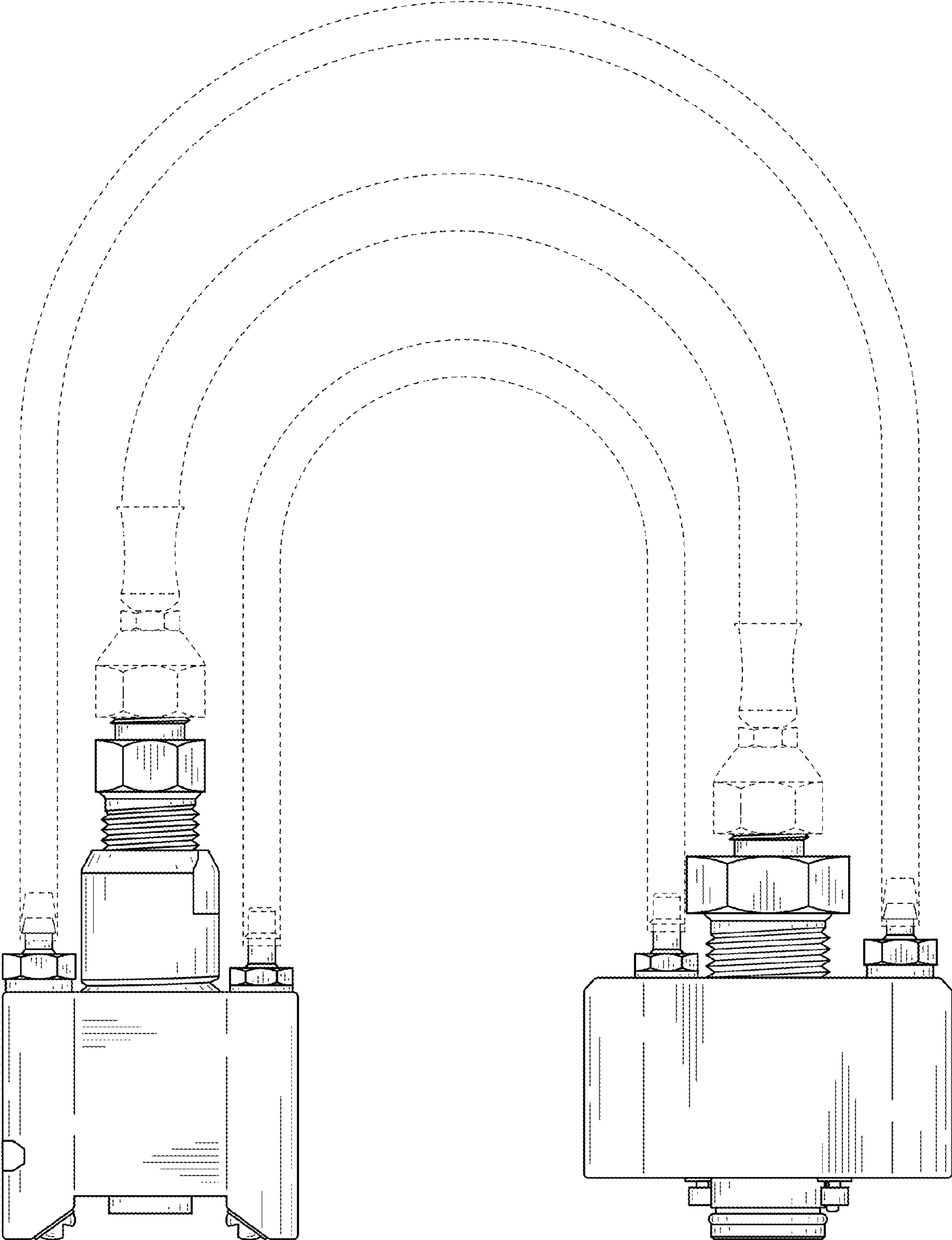


FIG. 6



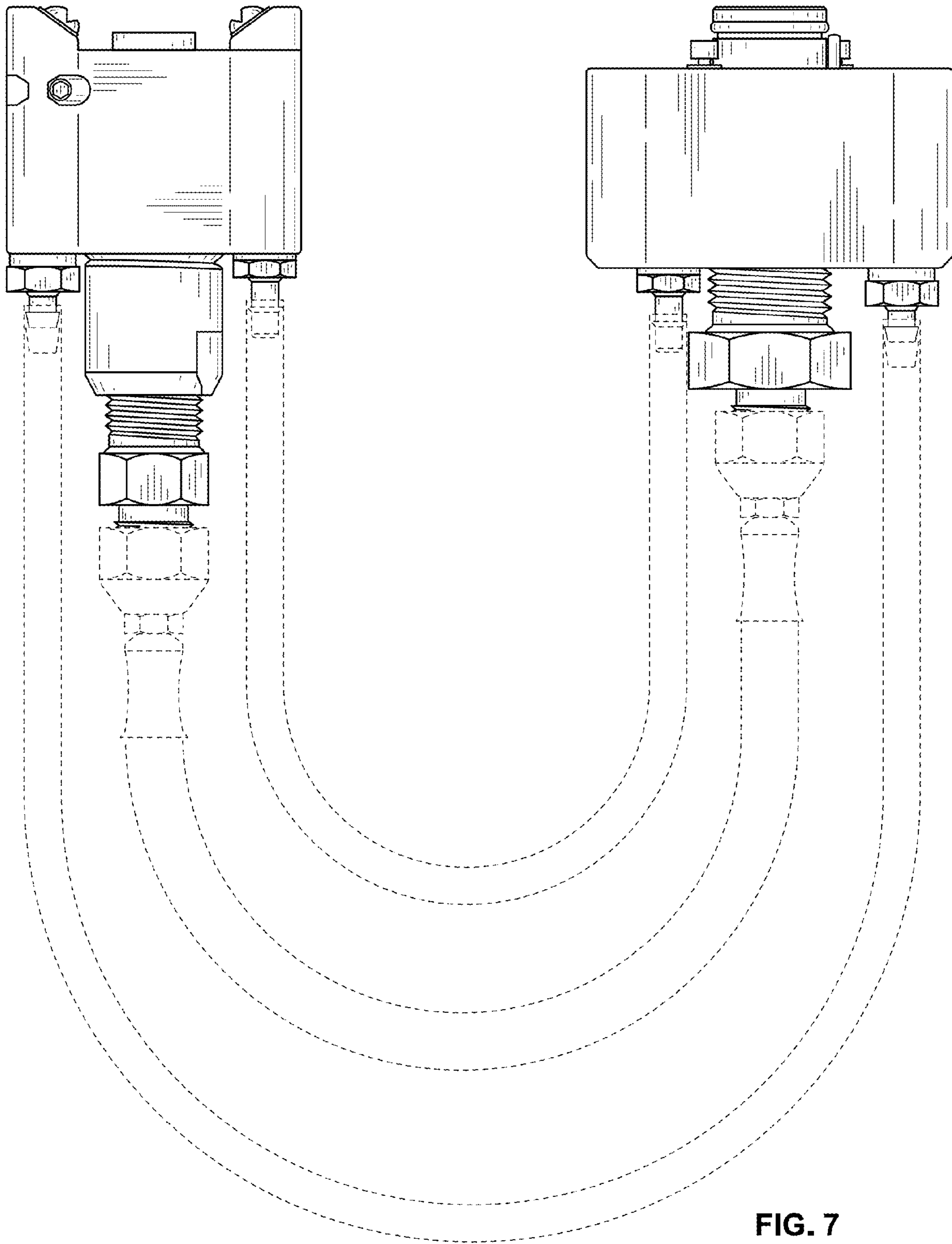


FIG. 7