



US00D930787S

(12) **United States Design Patent** (10) **Patent No.:** **US D930,787 S**  
**Lee et al.** (45) **Date of Patent:** **\*\* Sep. 14, 2021**

(54) **FILTER FOR WATER PURIFICATION**

(71) Applicants: **Microfilter CO., LTD,**  
Chungcheongbuk-do (KR); **HISENSE**  
**RONSHEN (GUANGDONG)**  
**REFRIGERATOR CO., LTD.,**  
Guangdong (CN)

(72) Inventors: **Kyong Su Lee,** Hwaseong-si (KR); **Pil**  
**Kang Hwang,** Jincheon-gun (KR); **Min**  
**Kyu Jung,** Gumi-si (KR)

(73) Assignees: **MICROFILTER CO., LTD,**  
Jincheon-gun (KR); **HISENSE**  
**RONSHEN (GUANGDONG)**  
**REFRIGERATOR CO., LTD.,** Foshan  
(CN)

(\*\*) Term: **15 Years**

(21) Appl. No.: **29/729,873**

(22) Filed: **Mar. 31, 2020**

(30) **Foreign Application Priority Data**

Mar. 20, 2020 (KR) ..... 30-2020-0012502

(51) **LOC (13) Cl.** ..... **23-01**

(52) **U.S. Cl.**  
USPC ..... **D23/209**

(58) **Field of Classification Search**  
USPC ..... D23/209, 235, 341, 358, 363-365;  
D15/5  
CPC .... B01D 46/0002; B01D 46/10; F02M 35/04;  
F02M 35/10; F02M 35/024  
See application file for complete search history.

(56) **References Cited**

U.S. PATENT DOCUMENTS

D679,779 S \* 4/2013 Reid ..... D23/209  
D750,738 S \* 3/2016 Baird ..... D23/209

D776,237 S \* 1/2017 Dong ..... D23/207  
D780,887 S \* 3/2017 Huda ..... D23/209  
D788,880 S \* 6/2017 Zou ..... D23/209  
D792,943 S \* 7/2017 Zou ..... D23/209  
D794,749 S \* 8/2017 Zou ..... D23/209  
D794,750 S \* 8/2017 Zou ..... D23/209  
D795,995 S \* 8/2017 Zou ..... D23/209  
D795,997 S \* 8/2017 Zou ..... D23/209  
D798,997 S \* 10/2017 Zou ..... D23/209  
D807,988 S \* 1/2018 An ..... D23/209  
D831,786 S \* 10/2018 Zou ..... D23/209  
D831,788 S \* 10/2018 Zou ..... D23/209  
D845,433 S \* 4/2019 Zou ..... D23/209  
D845,434 S \* 4/2019 Zou ..... D23/209  
D856,473 S \* 8/2019 Zou ..... D23/209  
D856,474 S \* 8/2019 Zou ..... D23/209  
D857,840 S \* 8/2019 Lu ..... D23/209

(Continued)

OTHER PUBLICATIONS

Kenmore Elite Refrigerator Water Filter, Jan. 16, 2016 Amazon.com  
May 7, 2021.URL: <https://www.amazon.com/dp/B01APUFX2O> (Year:  
2016).\*

*Primary Examiner* — Jack Reickel

*Assistant Examiner* — Keith J Wilson

(74) *Attorney, Agent, or Firm* — Seung Ho Lee

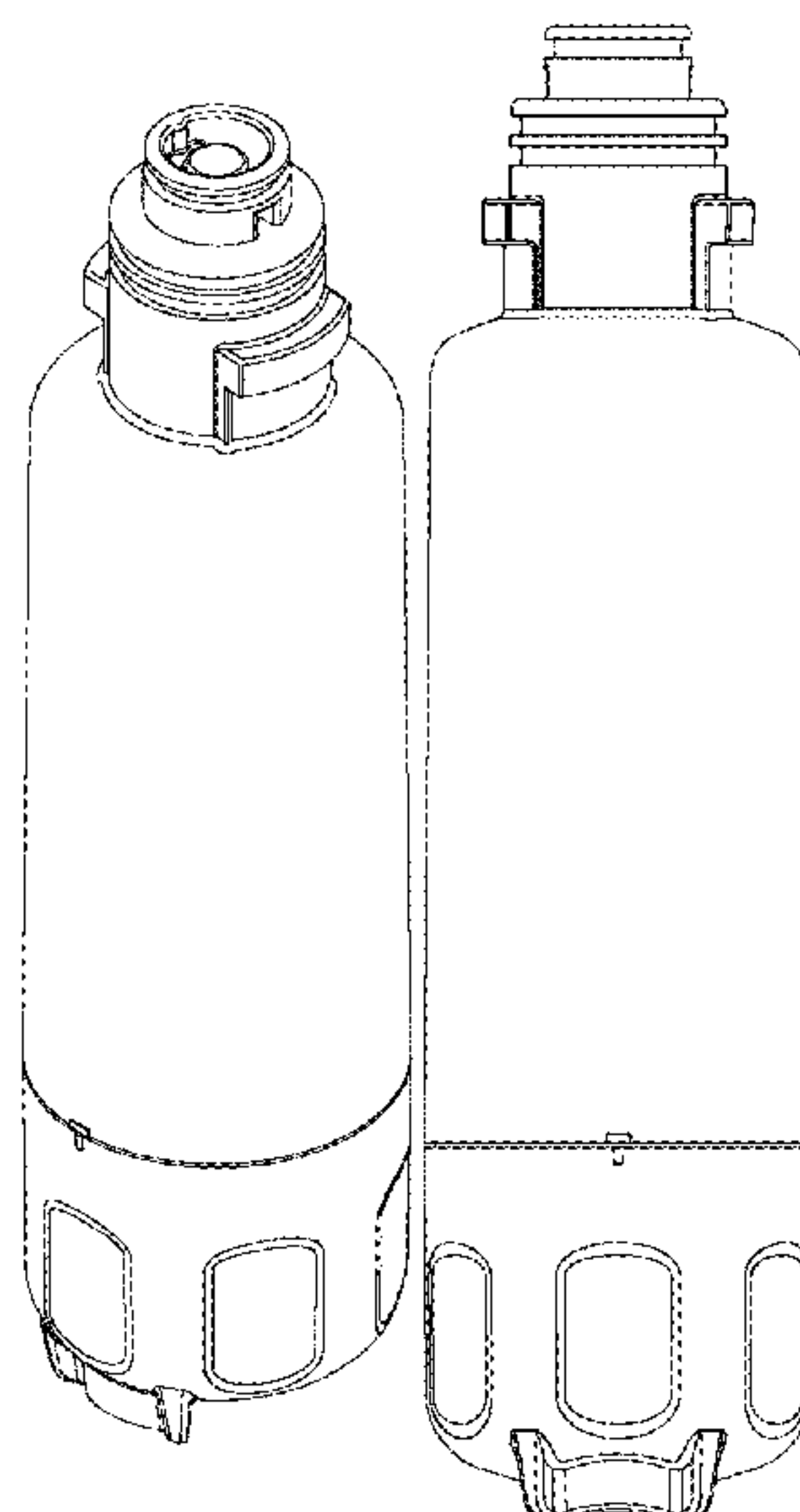
(57) **CLAIM**

We claim the ornamental design for the filter for water purification, as shown and described.

DESCRIPTION

FIG. 1 is a perspective view of a filter case for water purification;  
FIG. 2 is a front view thereof;  
FIG. 3 is a rear view thereof;  
FIG. 4 is a left-side view thereof;  
FIG. 5 is a right-side view thereof;  
FIG. 6 is a top view thereof; and,  
FIG. 7 is a bottom view thereof.

**1 Claim, 7 Drawing Sheets**



(56)

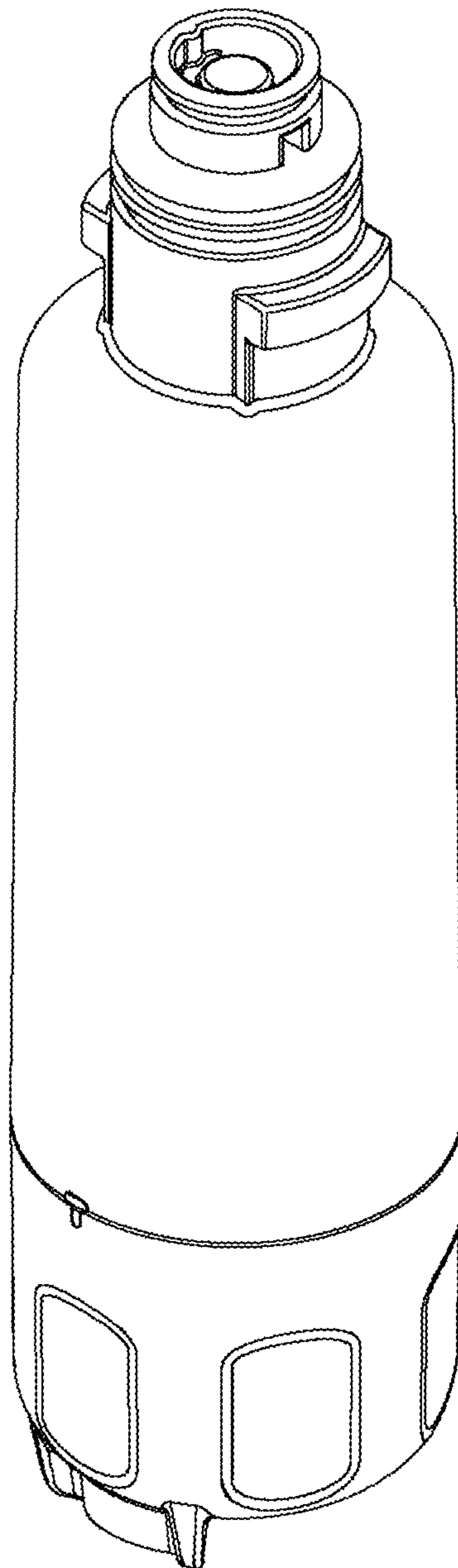
**References Cited**

U.S. PATENT DOCUMENTS

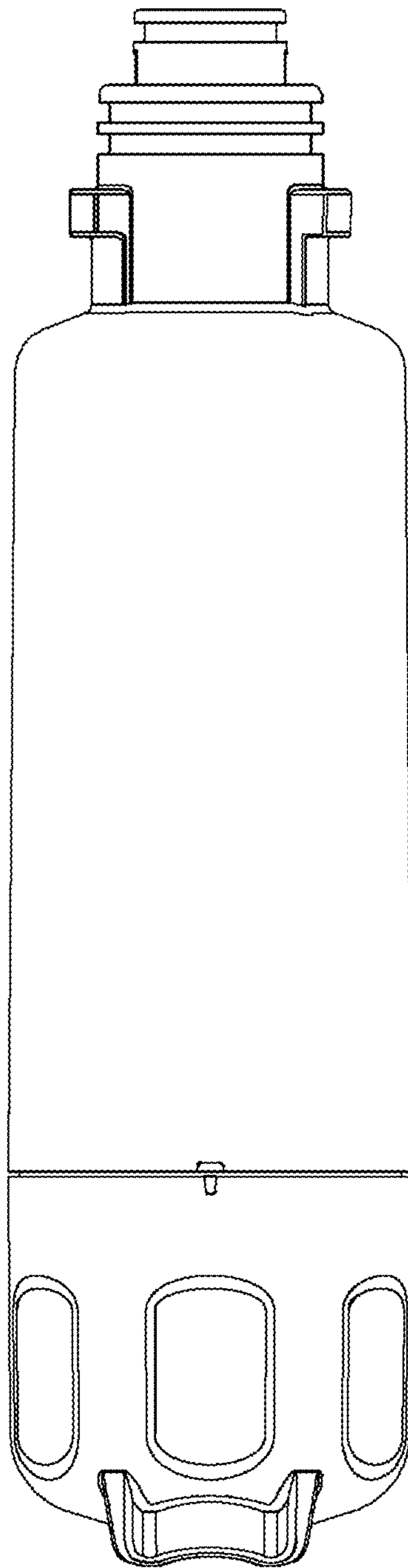
D857,841	S	*	8/2019	Lu	.....	D23/209
D858,691	S	*	9/2019	Zou	.....	D23/209
D858,692	S	*	9/2019	Zou	.....	D23/209
D858,693	S	*	9/2019	Zou	.....	D23/209
D858,694	S	*	9/2019	Zou	.....	D23/209
D861,127	S	*	9/2019	Lu	.....	D23/209
D865,119	S	*	10/2019	An	.....	D23/209
D875,209	S	*	2/2020	Zou	.....	D23/209
D878,517	S	*	3/2020	Zou	.....	D23/209
D883,426	S	*	5/2020	Lu	.....	D23/209
D886,940	S	*	6/2020	Zou	.....	D23/209
D886,941	S	*	6/2020	Zou	.....	D23/209
D890,296	S	*	7/2020	Chandler	.....	D23/209
D891,577	S	*	7/2020	Zou	.....	D23/209
D892,264	S	*	8/2020	Zou	.....	D23/209
D894,333	S	*	8/2020	Huaping	.....	D23/209
D894,336	S	*	8/2020	Huaping	.....	D23/209
D894,337	S	*	8/2020	Huaping	.....	D23/209
D899,563	S	*	10/2020	Wei	.....	D23/209

\* cited by examiner

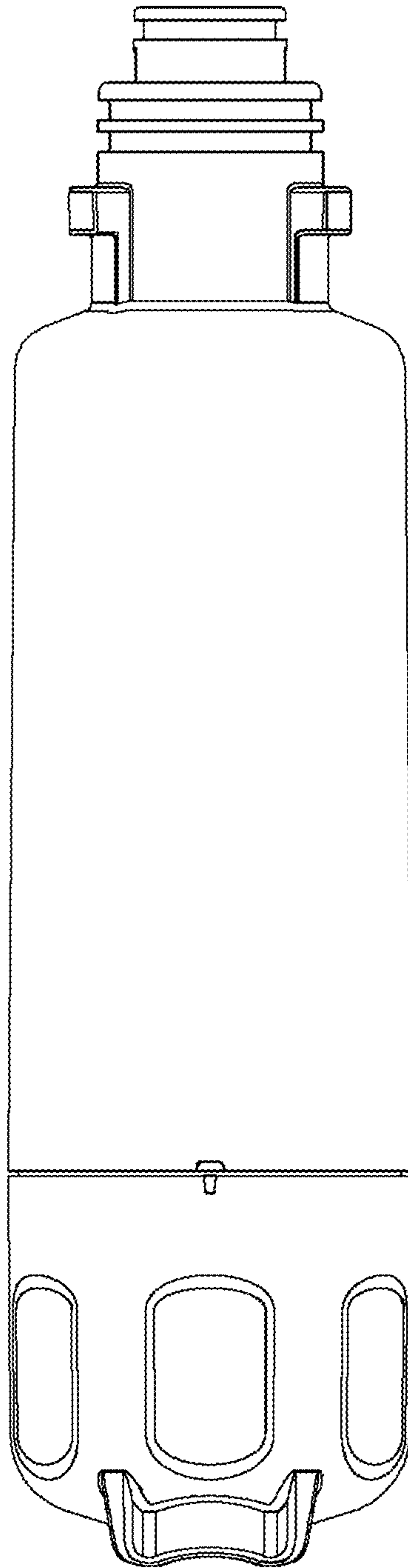
**FIG. 1**



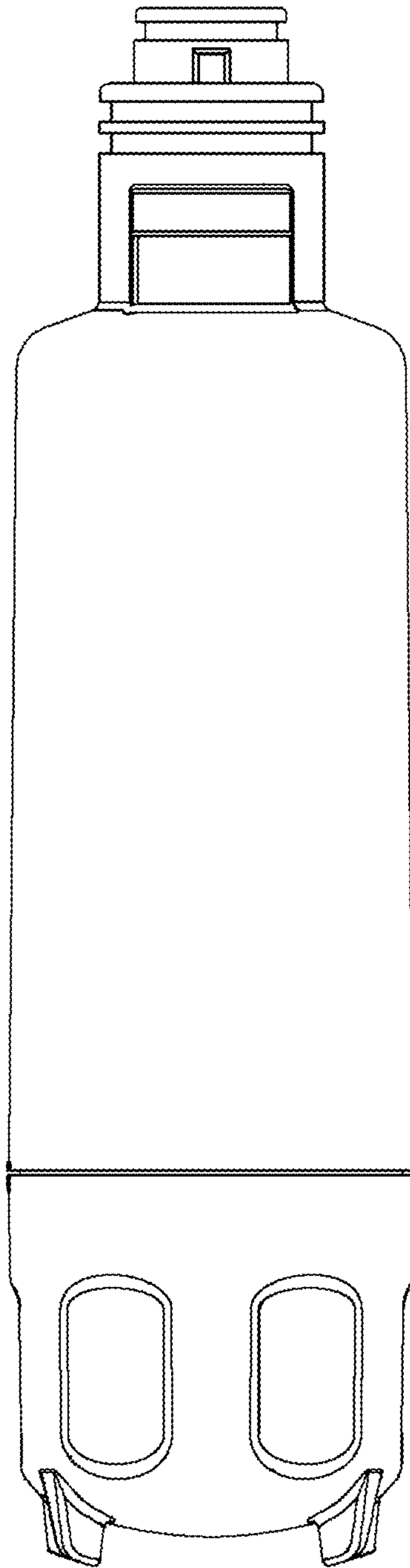
**FIG. 2**



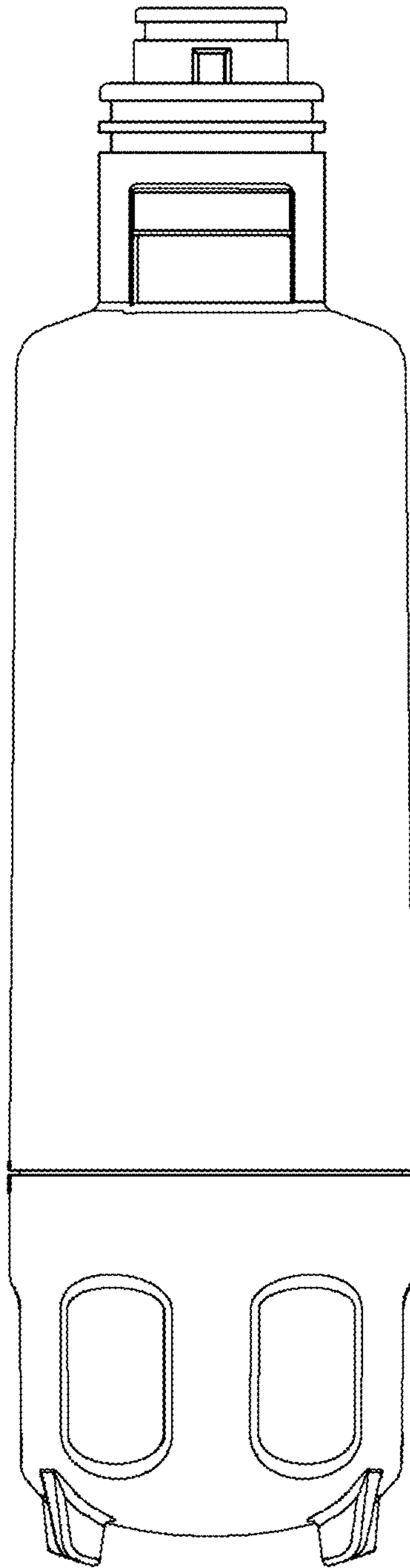
**FIG. 3**



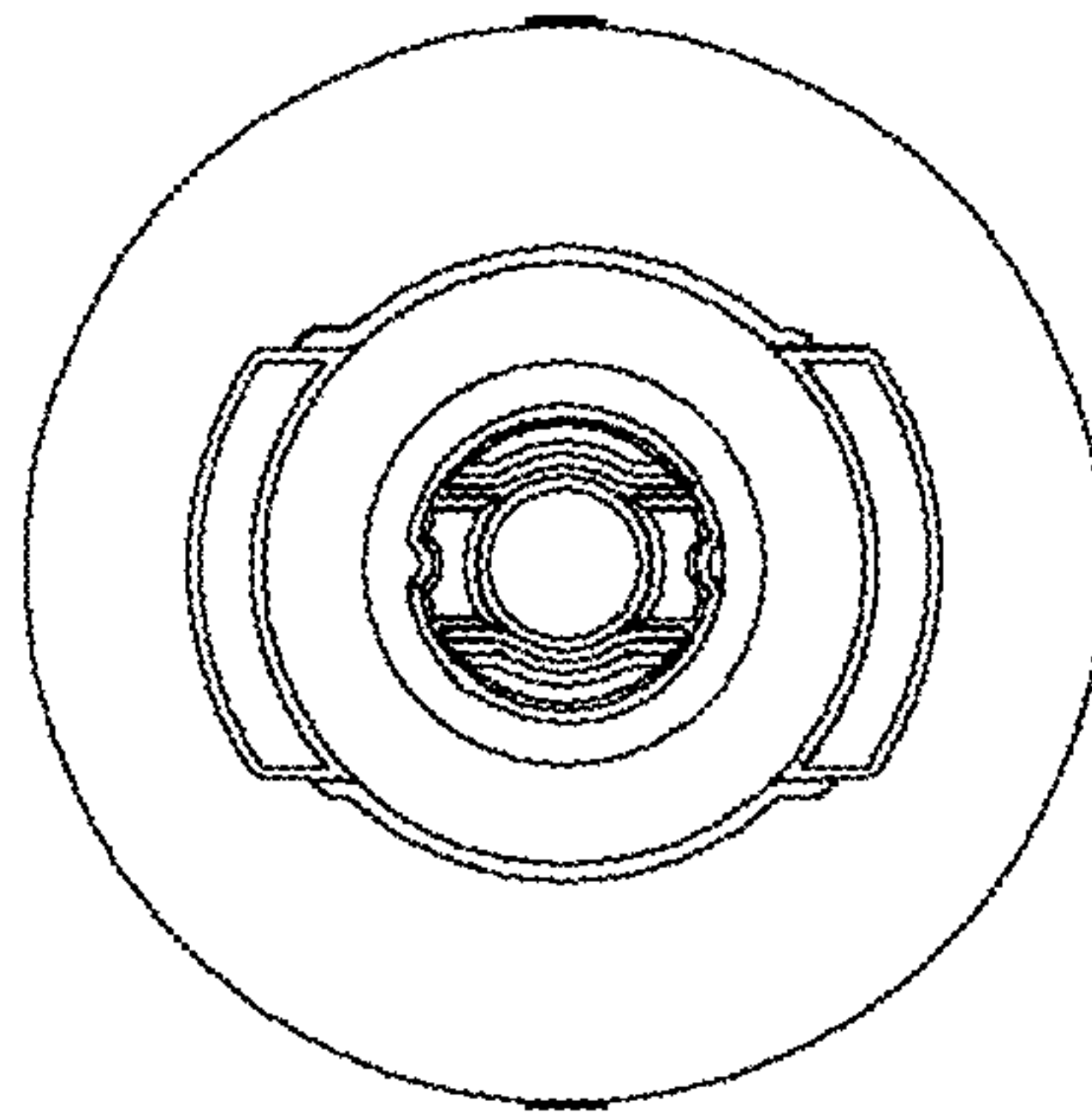
**FIG. 4**



**FIG. 5**



**FIG. 6**





**FIG. 7**

