



US00D930785S

(12) **United States Design Patent**
Hillyard

(10) **Patent No.:** **US D930,785 S**

(45) **Date of Patent:** **** Sep. 14, 2021**

(54) **MICRO WATER FEATURE INLINE
ADAPTER FITTING WITH ANGLED LED
LIGHT PORT**

FOREIGN PATENT DOCUMENTS

WO WO-2020254643 A1 * 12/2020 E03C 1/0409

(71) Applicant: **Waterway Plastics**, Oxnard, CA (US)

OTHER PUBLICATIONS

(72) Inventor: **Jason Hillyard**, Oxnard, CA (US)

Mishimoto MMHOSE-RAM-13Y Aluminum Coolant Y-Pipe, Jul. 20, 2020, Amazon.com, May 3, 2021 <https://www.amazon.com/Mishimoto-MMHOSE-RAM-13Y-Aluminum-Compatible-2013-2014/dp/B08D9S5YGJ> (Year: 2020).*

(**) Term: **15 Years**

(21) Appl. No.: **29/713,794**

(Continued)

(22) Filed: **Nov. 19, 2019**

Primary Examiner — Jack Reickel

(51) **LOC (13) Cl.** **23-01**

Assistant Examiner — Keith J Wilson

(52) **U.S. Cl.**
USPC **D23/207**

(74) *Attorney, Agent, or Firm* — Sandy Lipkin

(58) **Field of Classification Search**
USPC D23/207, 213, 214, 215, 223, 224, 226,
D23/229, 230

(57) **CLAIM**

CPC A61H 9/0021; A61H 33/00; B05B 1/00;
B05B 1/14; B05B 1/185; B05B 1/08;
B05B 1/02; B05B 1/26; B05B 12/002;
B05B 1/18; B05B 9/01

The ornamental design for micro water feature inline adapter fitting with angled LED light port, as shown and described.

See application file for complete search history.

DESCRIPTION

(56) **References Cited**

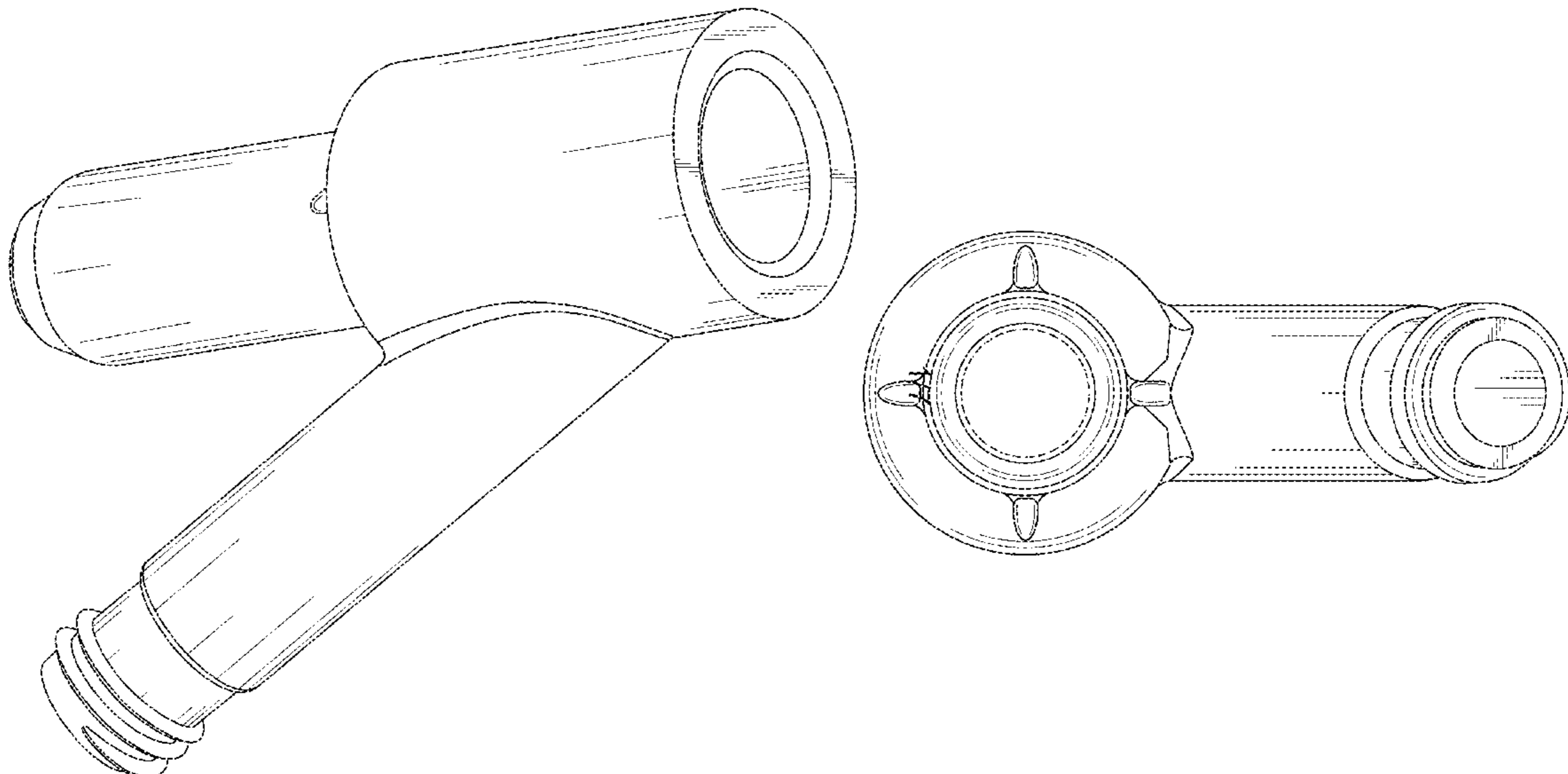
U.S. PATENT DOCUMENTS

D314,513 S *	2/1991	Hardin	D23/229
D445,872 S *	7/2001	Ketcham	D23/225
D468,801 S *	1/2003	Hubmann	D23/225
D509,560 S *	9/2005	Hubmann	D23/213
D529,575 S *	10/2006	Birrenkott	D23/223
D537,915 S *	3/2007	Hubmann	D23/213
D695,114 S *	12/2013	McDonald	D9/440
D701,764 S *	4/2014	Brower	D9/440
D747,200 S *	1/2016	Chiorazzi	D9/440
D774,163 S *	12/2016	Solakian	D23/213
D821,541 S *	6/2018	McDonnell	D23/213
D830,122 S *	10/2018	Seiders	D7/398
D852,928 S *	7/2019	Maibach, Jr.	D23/207
D859,584 S *	9/2019	Ramsuer	D23/213

(Continued)

FIG. 1 is an isometric first side view of the micro water feature inline adapter fitting with angled LED light port.
FIG. 2 is a first side view of the micro water feature inline adapter fitting with angled LED light port.
FIG. 3 is a second side view of the micro water feature inline adapter fitting with angled LED light port.
FIG. 4 is a third side view of the micro water feature inline adapter fitting with angled LED light port.
FIG. 5 is a fourth side view of the micro water feature inline adapter fitting with angled LED light port.
FIG. 6 is a front (effluent) side view of the micro water feature inline adapter fitting with angled LED light port; and,
FIG. 7 is a back (influent) side view of the micro water feature inline adapter fitting with angled LED light port.

1 Claim, 7 Drawing Sheets



(56)

References Cited

U.S. PATENT DOCUMENTS

D862,640 S * 10/2019 Maibach, Jr. D23/207
D896,923 S * 9/2020 Maibach, Jr. D23/213

OTHER PUBLICATIONS

CoolingSky All Billet Aluminum Dual Radiator Coolant Y-Pipe,
Apr. 7, 2020, Amazon.com, May 3, 2021 <https://www.amazon.com/dp/B086W5LQJT> (Year: 2020).*

* cited by examiner

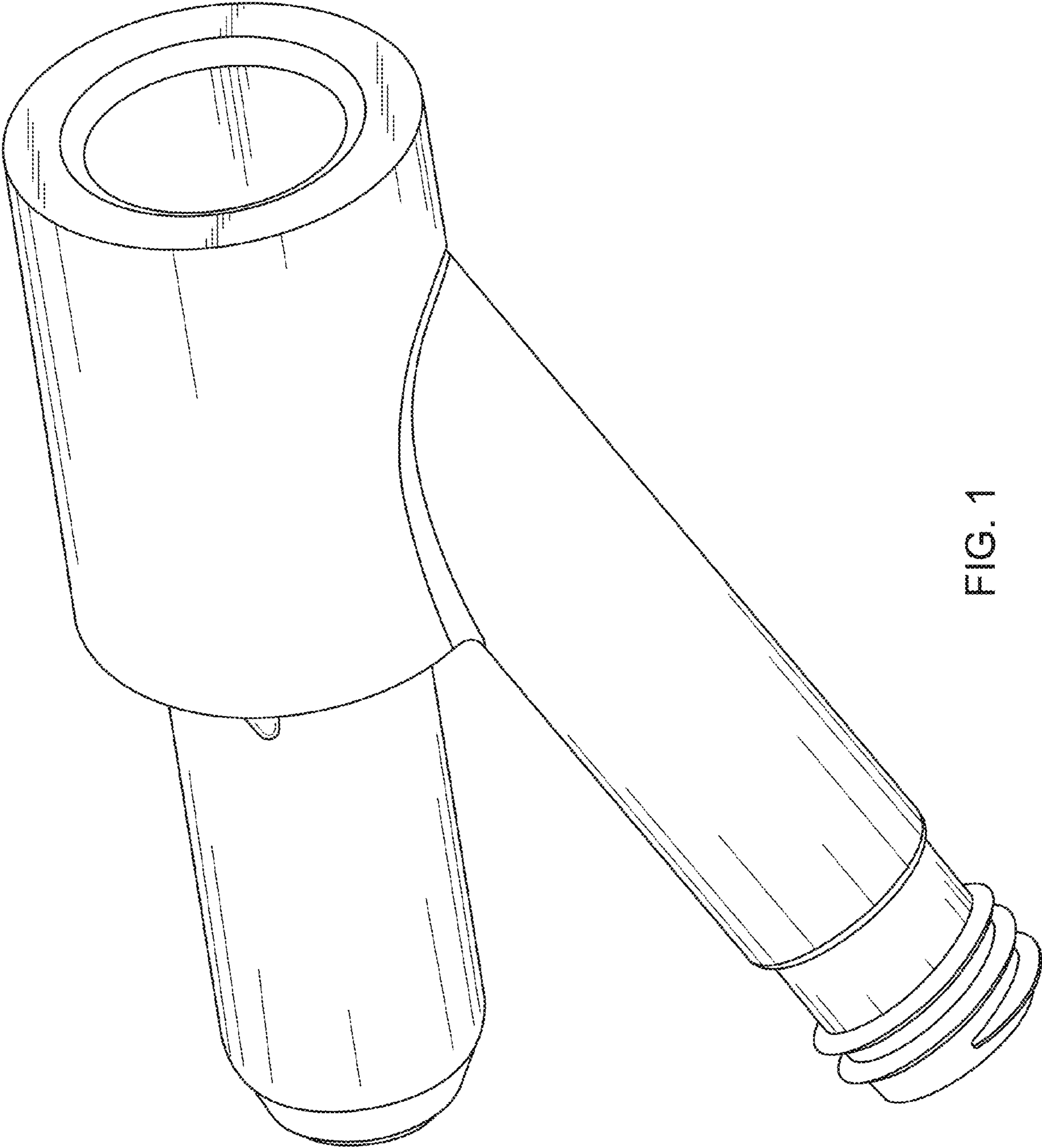


FIG. 1

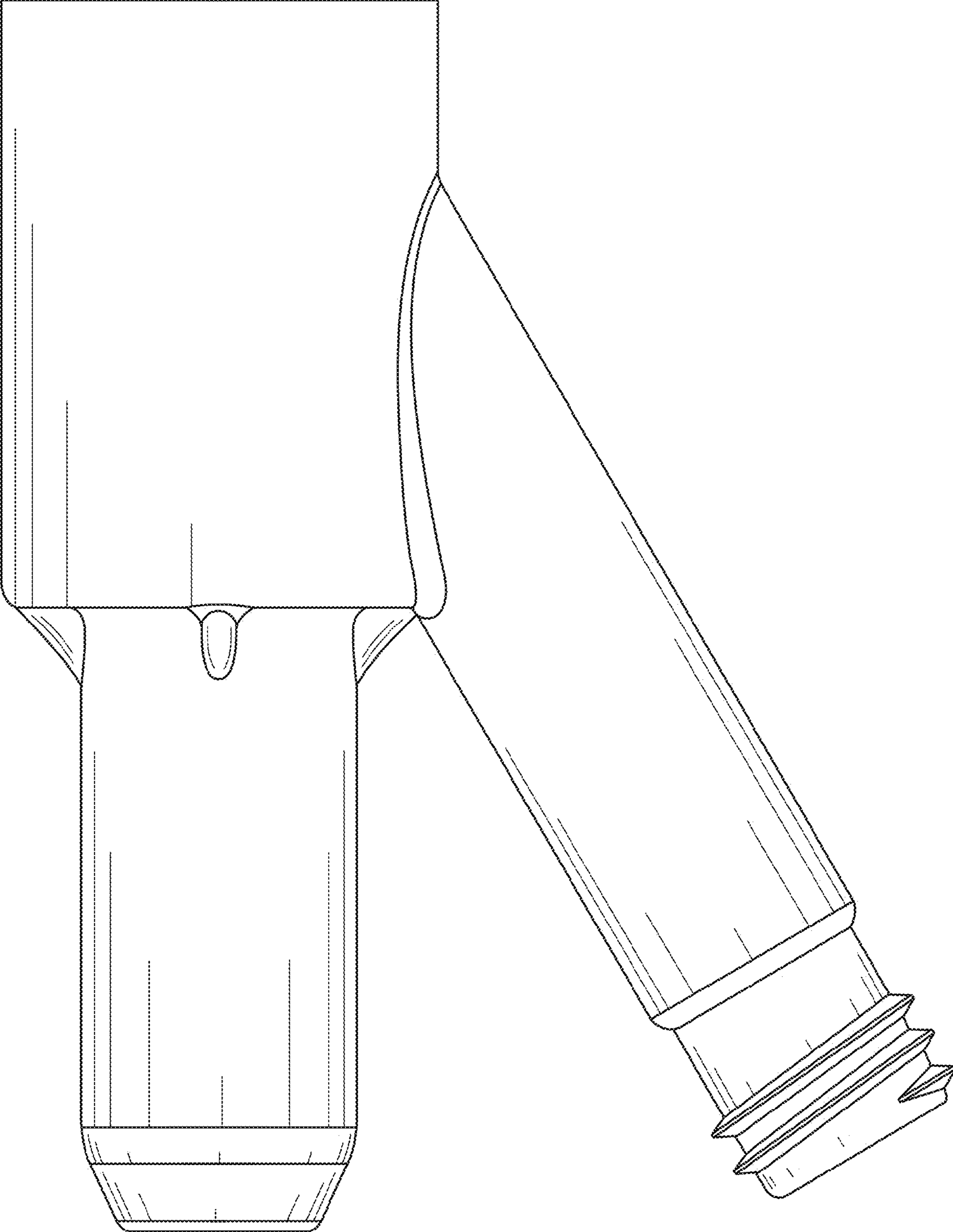


FIG. 2

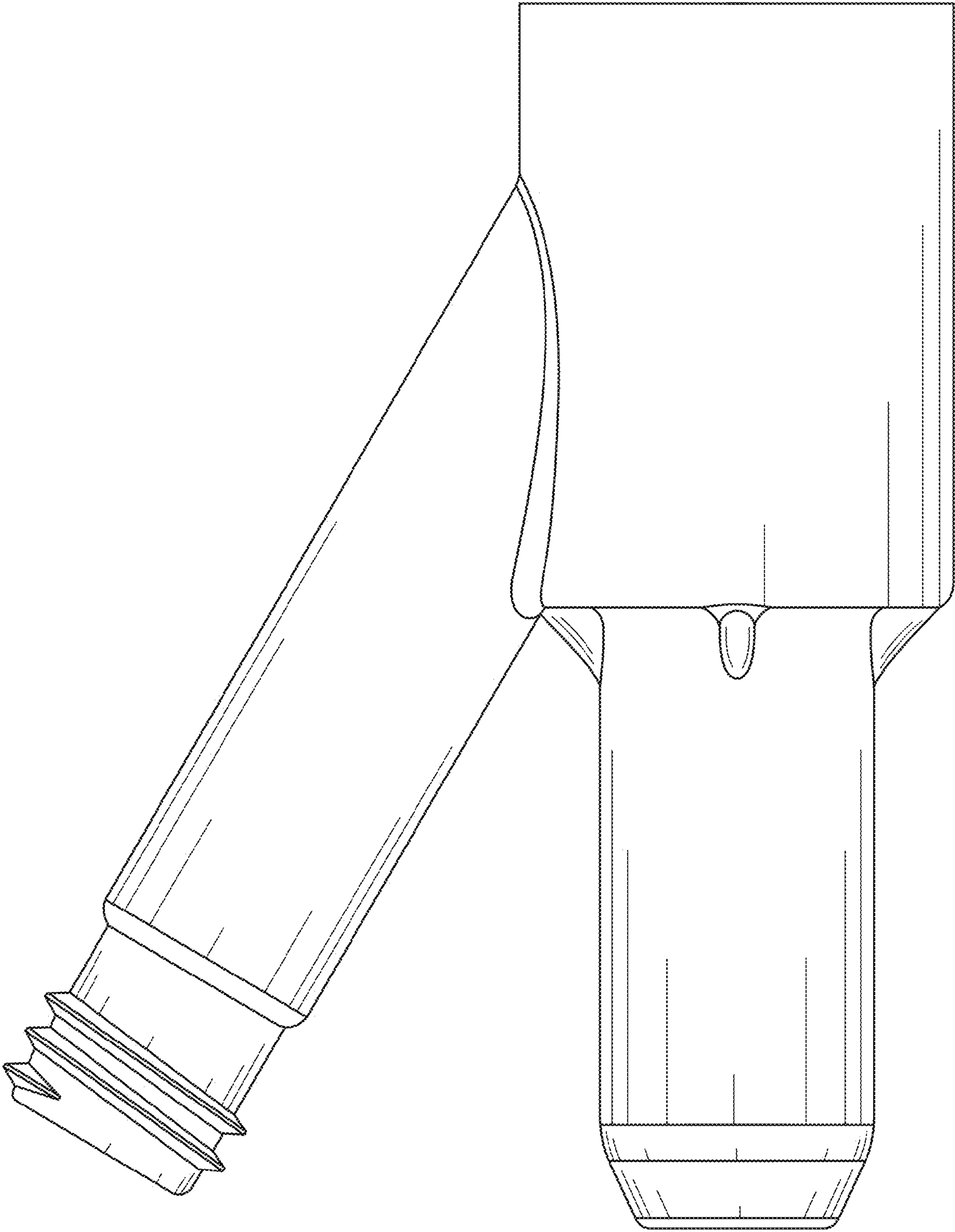


FIG. 3

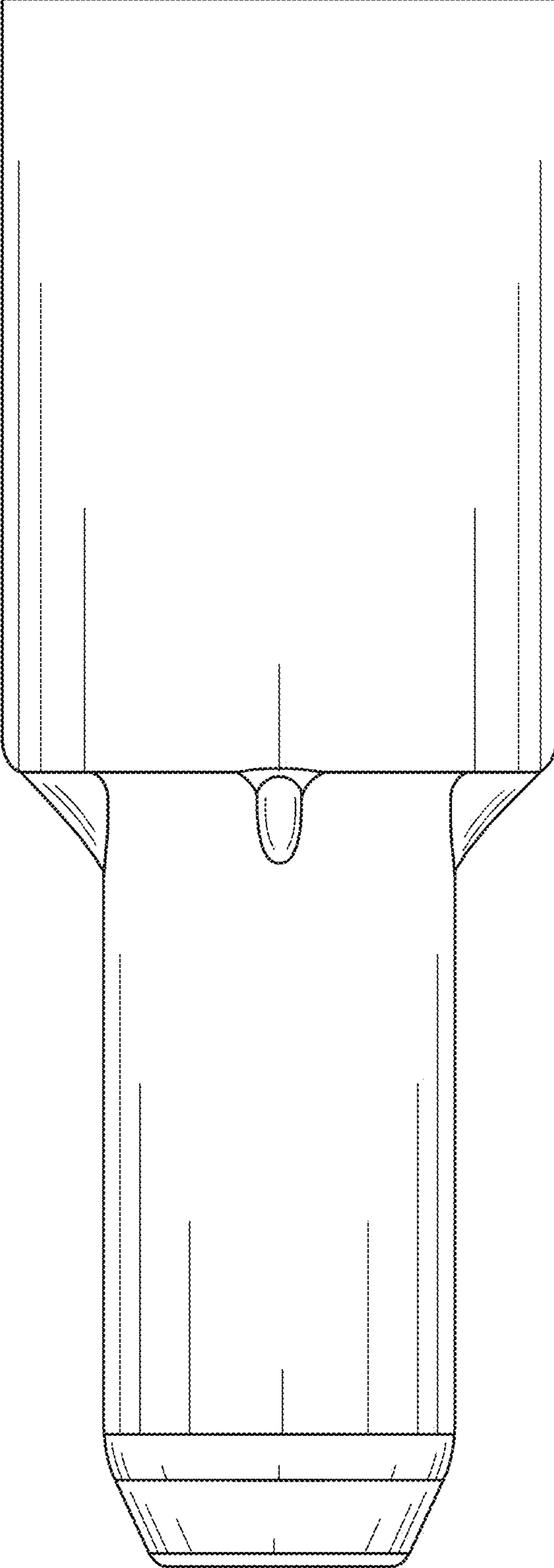


FIG. 4

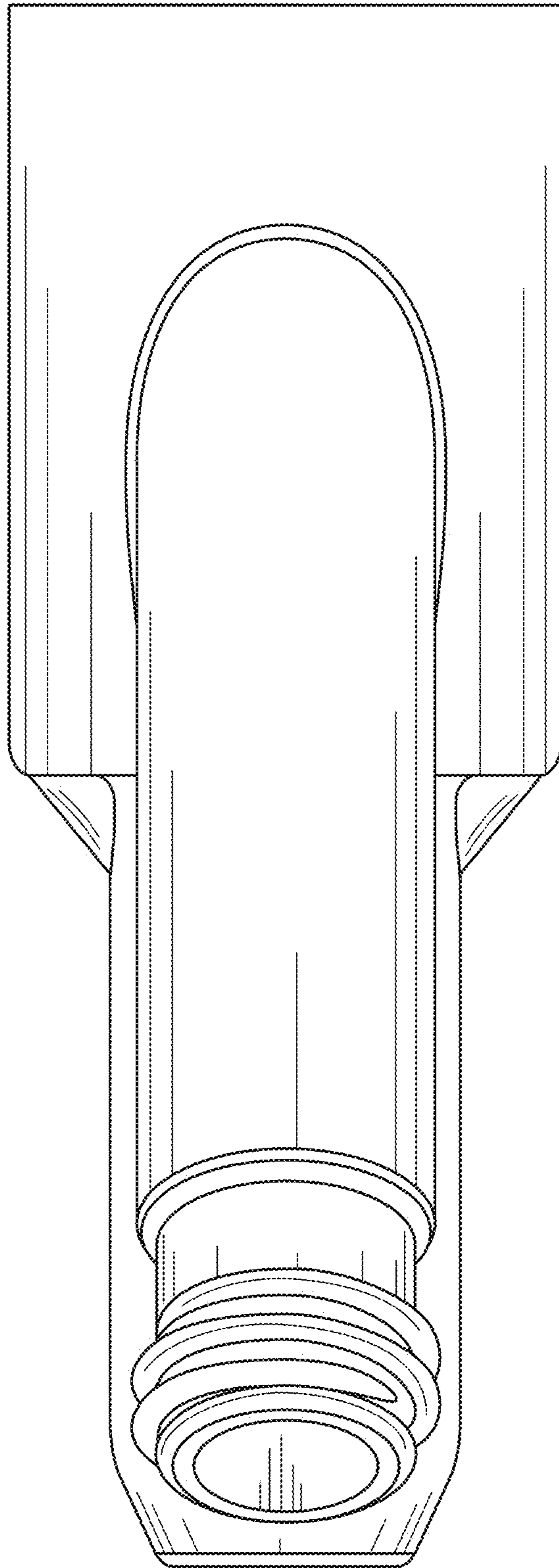


FIG. 5

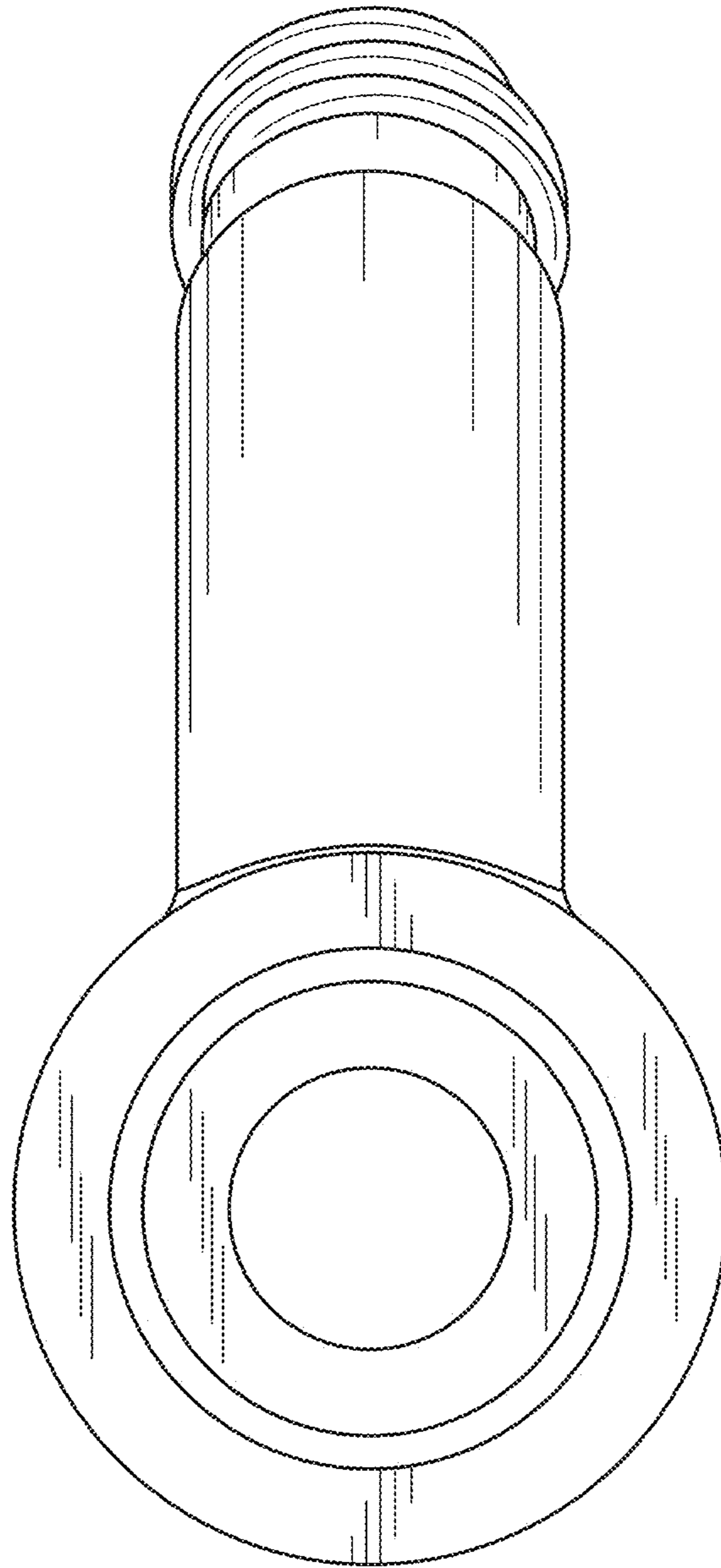


FIG. 6

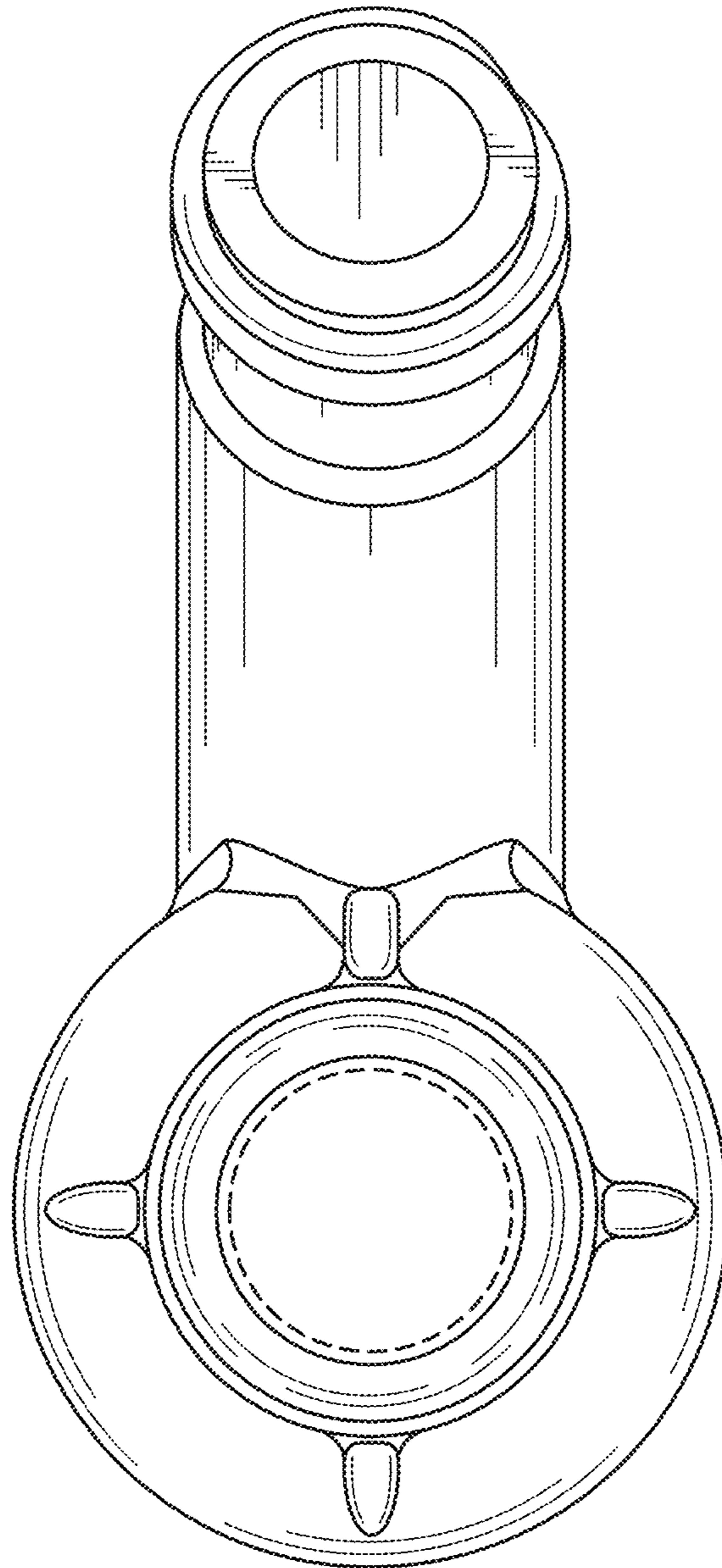


FIG. 7