



US00D930784S

(12) **United States Design Patent** (10) **Patent No.:** **US D930,784 S**
Cho et al. (45) **Date of Patent:** **** Sep. 14, 2021**

(54) **WATER PURIFIER**

(71) Applicant: **LG ELECTRONICS INC.**, Seoul (KR)

(72) Inventors: **Najung Cho**, Seoul (KR); **Sookyung Kang**, Seoul (KR); **Hyoungwon Roh**, Seoul (KR); **Kyukwan Choi**, Seoul (KR)

(73) Assignee: **LG ELECTRONICS INC.**, Seoul (KR)

(**) Term: **15 Years**

(21) Appl. No.: **29/701,933**

(22) Filed: **Aug. 15, 2019**

(30) **Foreign Application Priority Data**

Feb. 21, 2019 (KR) 30-2019-0007822

(51) **LOC (13) Cl.** **23-01**

(52) **U.S. Cl.**
USPC **D23/207**

(58) **Field of Classification Search**
USPC D23/207, 208, 209, 210

(Continued)

(56) **References Cited**

U.S. PATENT DOCUMENTS

4,880,535 A * 11/1989 Burrows B01D 61/08
210/181
6,051,140 A * 4/2000 Perry C02F 1/50
210/205

(Continued)

OTHER PUBLICATIONS

“LG PuriCare WD512AN Owner’s Manual”, Jan. 28, 2019, LG, site visited May 17, 2021: <https://gscs-b2c.lge.com/downloadFile?fileId=FUIYsc4sNJabLpQoJI2mQ> (Year: 2019).*

(Continued)

Primary Examiner — Jack Reickel

Assistant Examiner — Bobby W Jones, II

(74) *Attorney, Agent, or Firm* — Birch, Stewart, Kolasch & Birch, LLP

(57) **CLAIM**

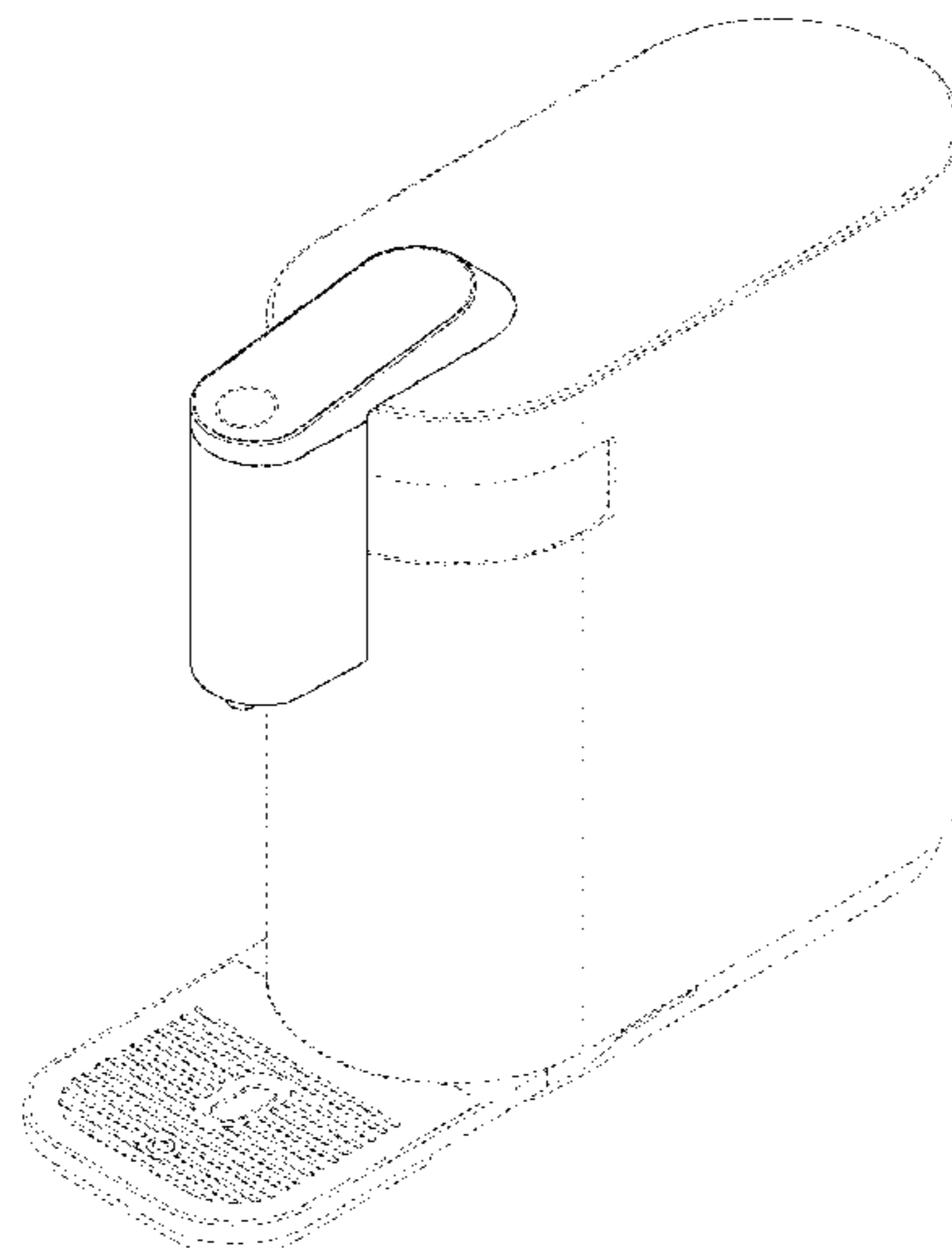
The ornamental design for a water purifier, as shown and described.

DESCRIPTION

FIG. 1 is a front, right side, perspective view of a water purifier showing our new design in a first state before operation of the water purifier;
FIG. 2 is a front view thereof;
FIG. 3 is a rear view thereof;
FIG. 4 is a left side view thereof;
FIG. 5 is a right side view thereof;
FIG. 6 is a top view thereof;
FIG. 7 is a bottom view thereof;
FIG. 8 is a front, right side, perspective view of the water purifier showing our new design in a second state where the water outlet is rotated to the right;
FIG. 9 is a front view thereof;
FIG. 10 is a rear view thereof;
FIG. 11 is a left side view thereof;
FIG. 12 is a right side view thereof;
FIG. 13 is a top view thereof;
FIG. 14 is a bottom view thereof;
FIG. 15 is a front, right side, perspective view of the water purifier showing our new design in a third state where the water outlet is extended down after the water outlet is rotated to the right;
FIG. 16 is a front view thereof;
FIG. 17 is a rear view thereof;
FIG. 18 is a left side view thereof;
FIG. 19 is a right side view thereof;
FIG. 20 is a top view thereof; and,
FIG. 21 is a bottom view thereof.

The broken lines indicate unclaimed portion of the article that form no part of the claimed design.

1 Claim, 21 Drawing Sheets



(58) **Field of Classification Search**
 CPC B01D 61/00; B01D 63/00; C02F 1/002;
 C02F 1/003; C02F 1/005; C02F 2307/02;
 C02F 2307/04; C02F 2307/06; C02F
 2307/10
 See application file for complete search history.

(56) **References Cited**
 U.S. PATENT DOCUMENTS

6,080,313 A * 6/2000 Kelada C02F 9/005
 210/202
 D683,421 S * 5/2013 Choi D23/207
 D718,414 S * 11/2014 Lo D23/207
 9,487,413 B2 * 11/2016 Mitchell C02F 1/003
 D777,498 S * 1/2017 Bandixen D7/306
 D788,877 S * 6/2017 Yoon D23/207
 D816,797 S * 5/2018 Lim D23/207
 D830,754 S * 10/2018 Cahen D7/306
 D917,672 S * 4/2021 Roh D23/255
 2005/0279688 A1 * 12/2005 Hsu C02F 9/005
 210/192

2005/0279689 A1 * 12/2005 Oranski C02F 9/005
 210/198.1
 2012/0261318 A1 * 10/2012 Yang C02F 1/003
 210/138
 2013/0270159 A1 * 10/2013 Lin C02F 9/005
 210/85
 2014/0332478 A1 * 11/2014 Gilbert, Jr. C02F 1/003
 210/808
 2015/0259218 A1 * 9/2015 Ergican B01F 3/04808
 426/67
 2017/0050836 A1 * 2/2017 Yoon B67D 1/0864
 2018/0029899 A1 * 2/2018 Park C02F 1/003
 2018/0194608 A1 * 7/2018 Jeon B67D 1/0888
 2019/0016607 A1 * 1/2019 Jeong C02F 1/003
 2019/0060807 A1 * 2/2019 Jeon C02F 1/003
 2019/0377973 A1 * 12/2019 Jin B67D 1/0014

OTHER PUBLICATIONS

“Brondell H630”, Aug. 8, 2013, Amazon, site visited May 17, 2021:
<https://www.amazon.com/dp/B00EEDJSES/> (Year: 2013).*

* cited by examiner

FIG. 1

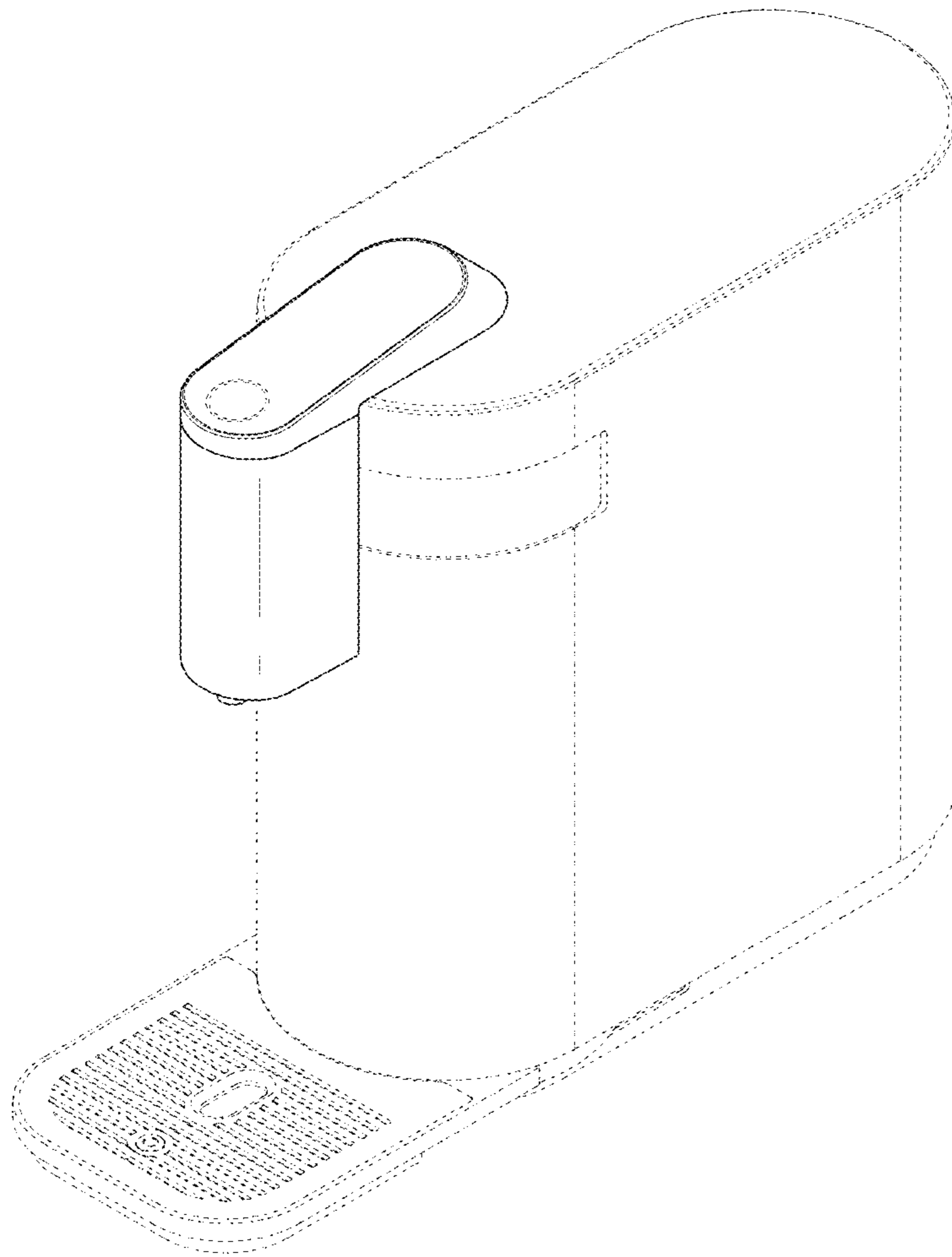


FIG. 2

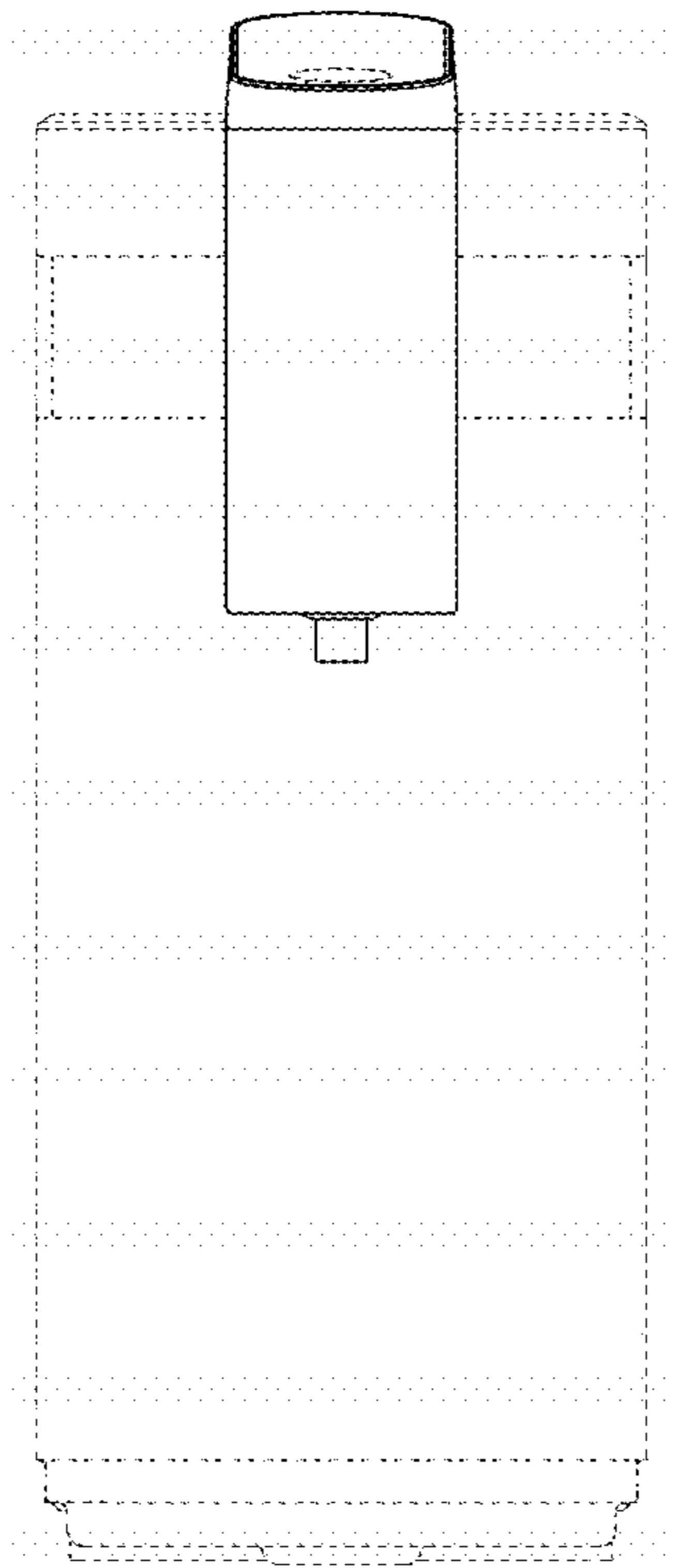


FIG. 3

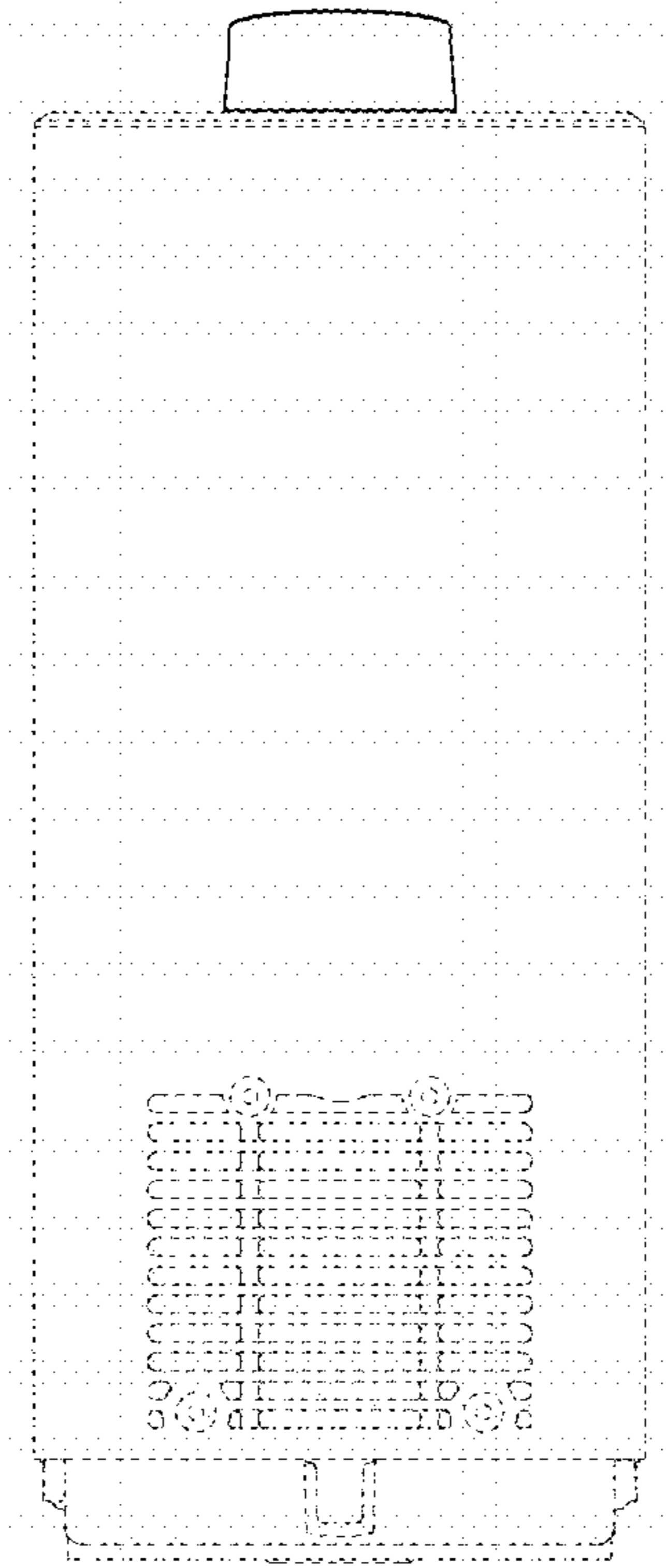


FIG. 4

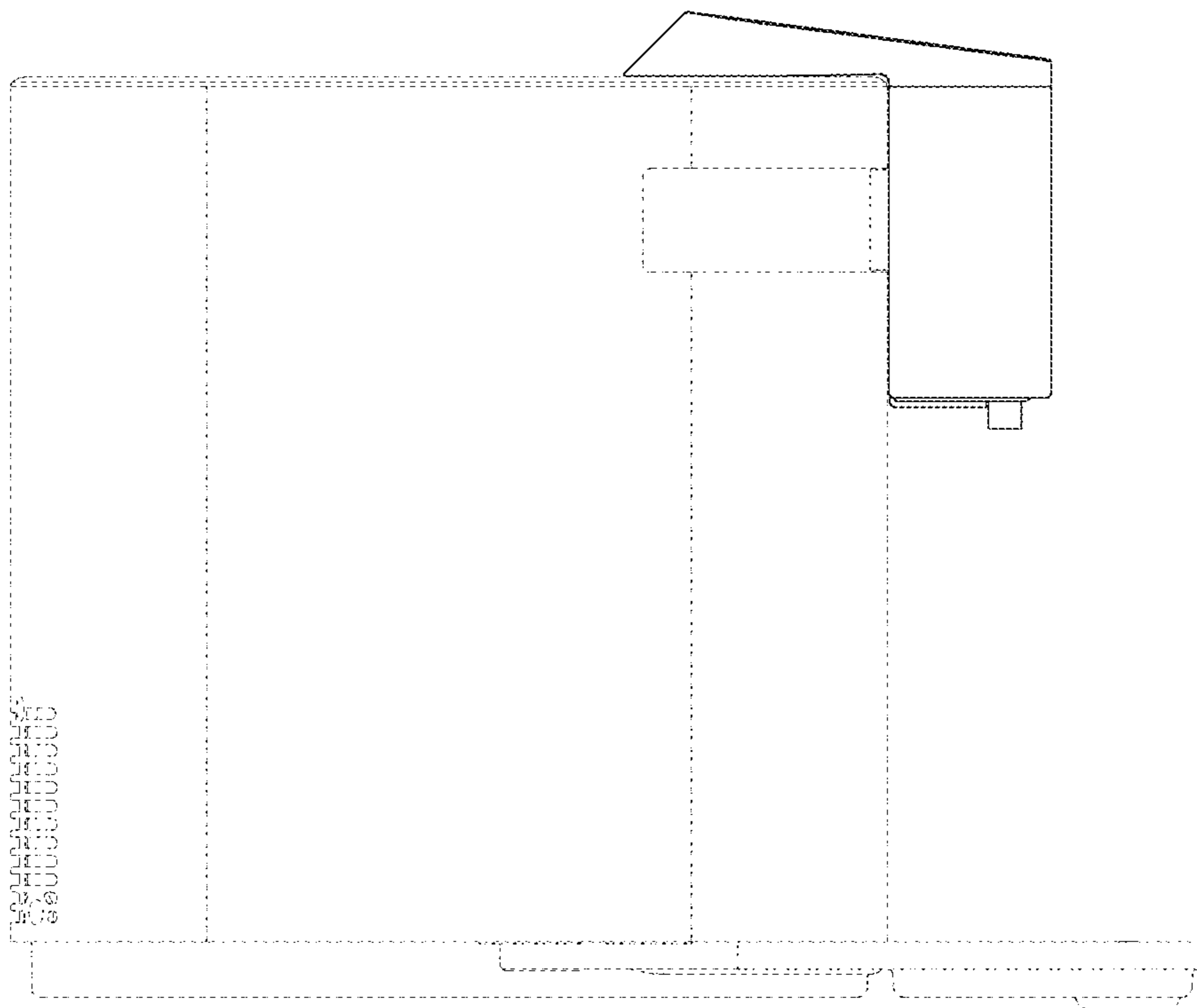


FIG. 5

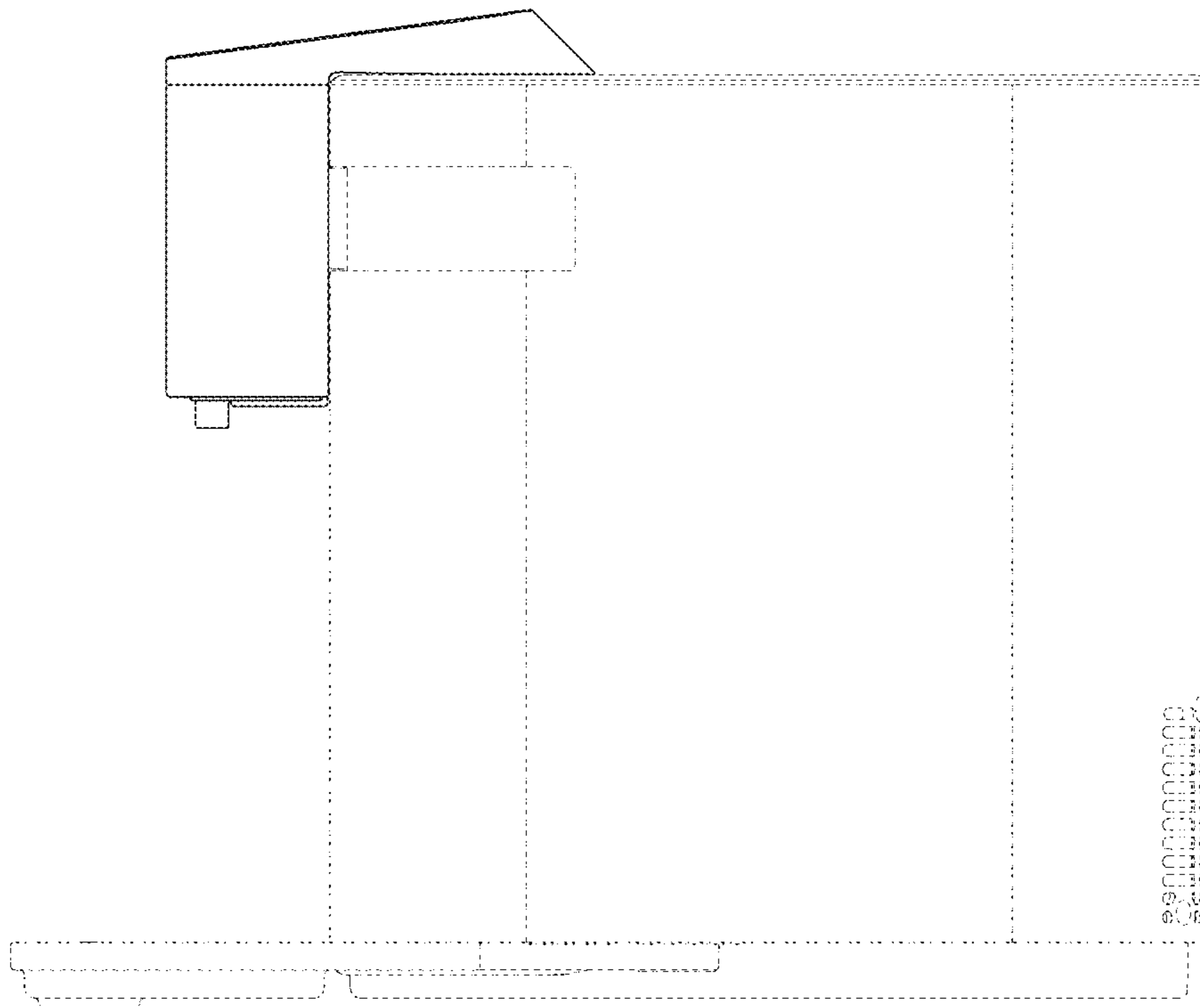


FIG. 6

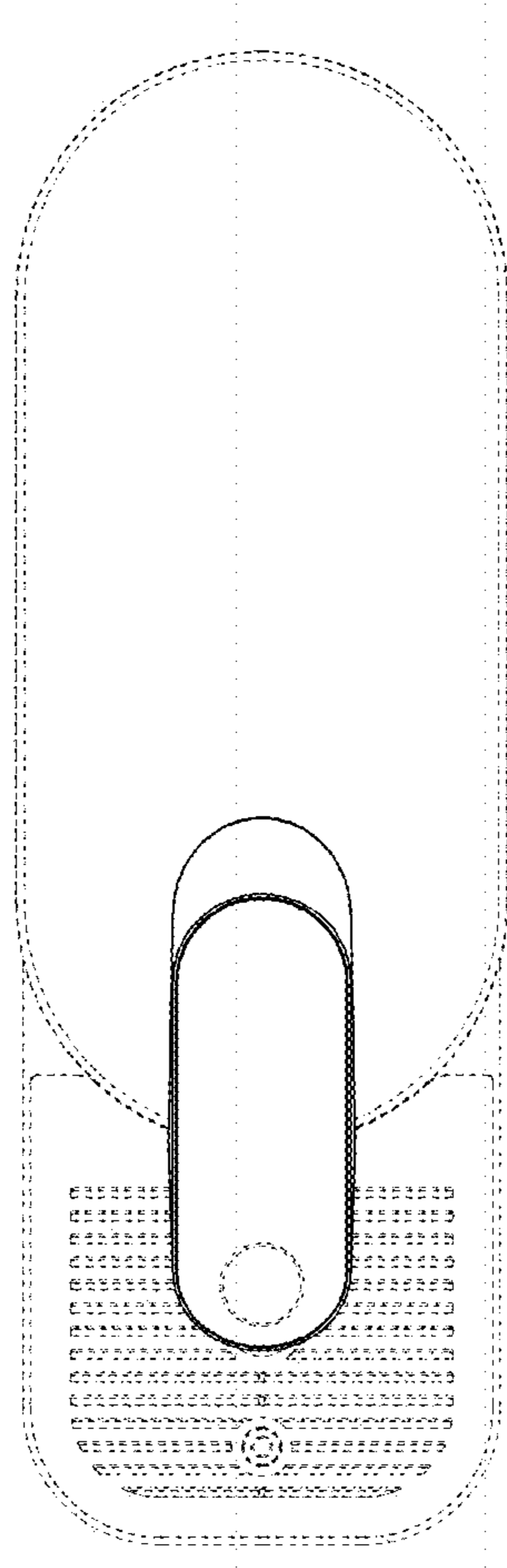


FIG. 7

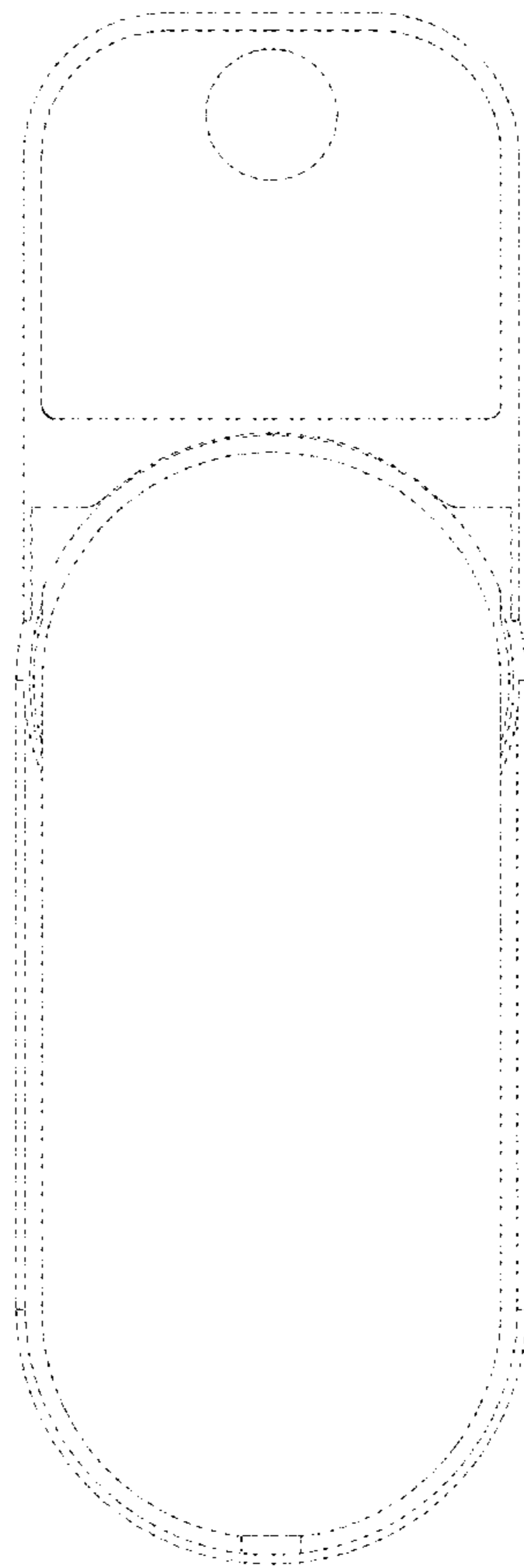


FIG. 8

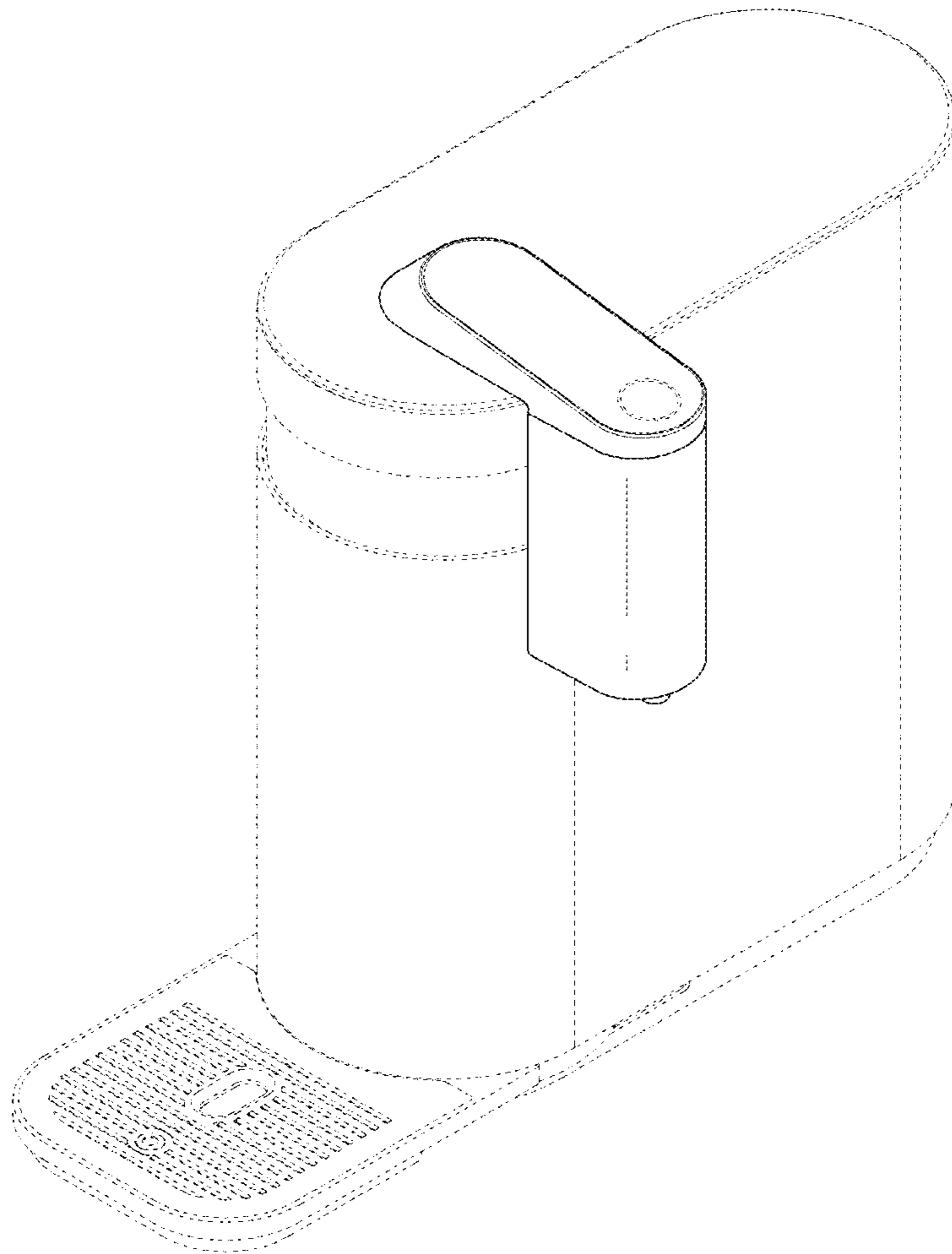


FIG. 9

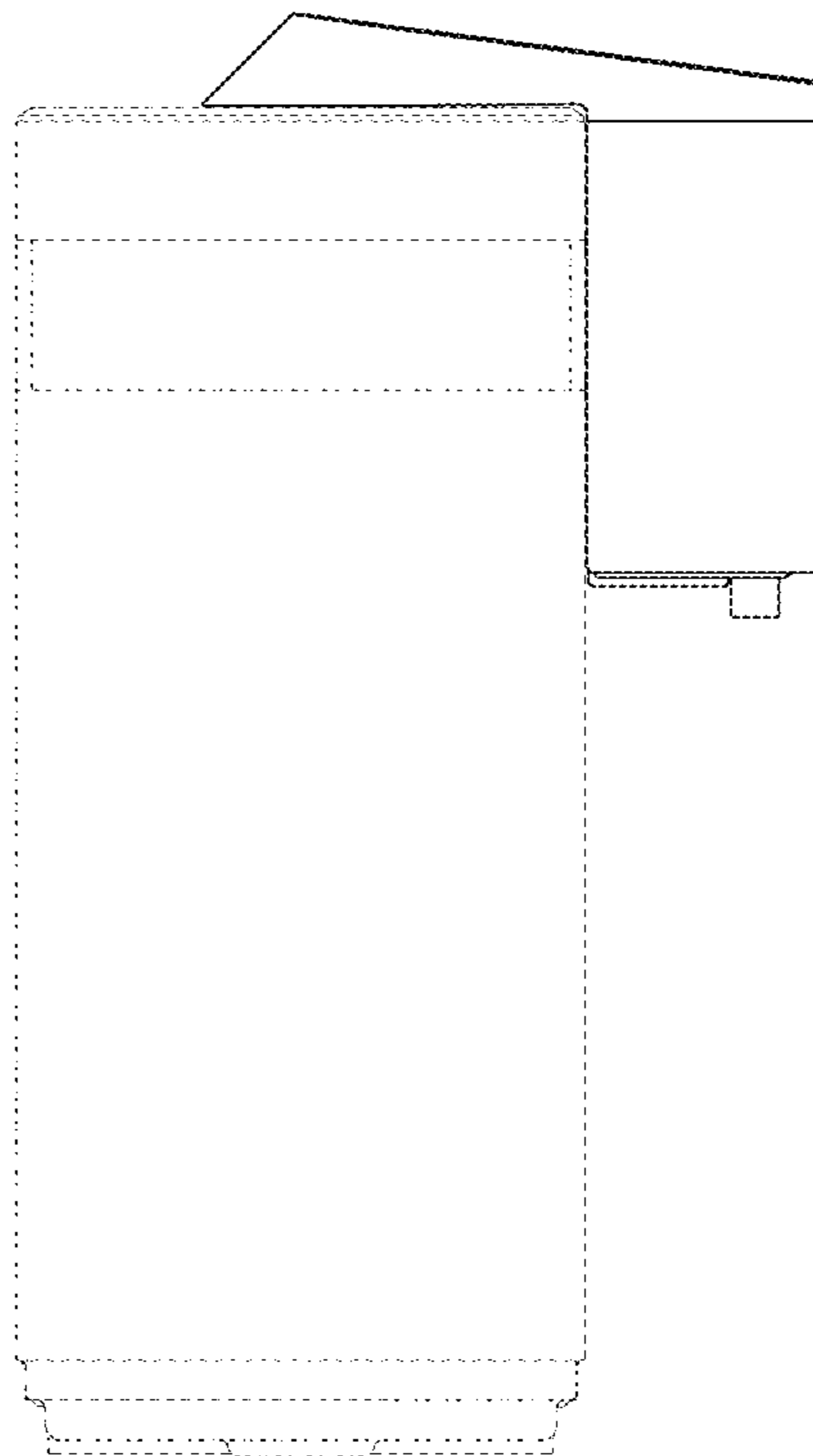


FIG. 10

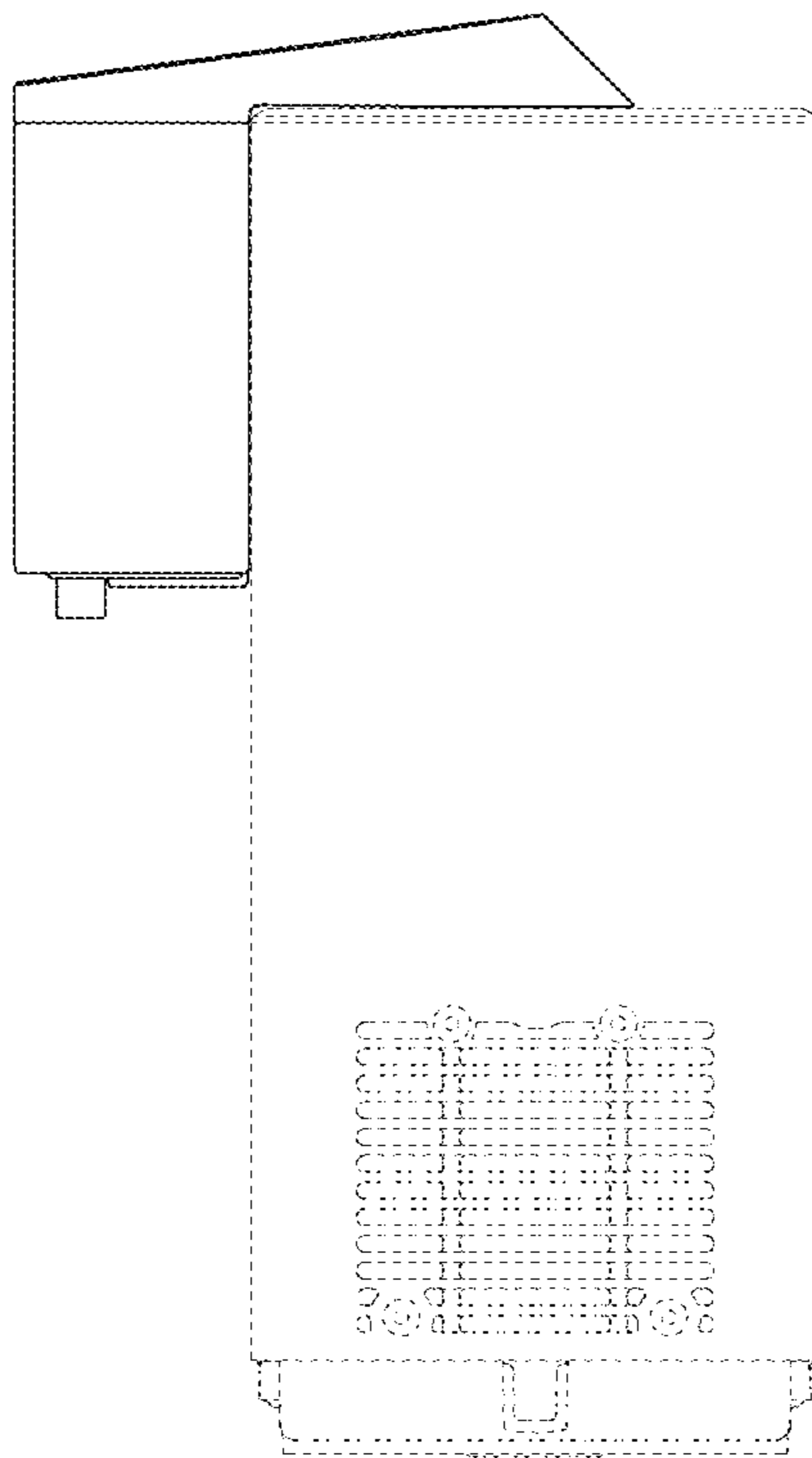


FIG. 11

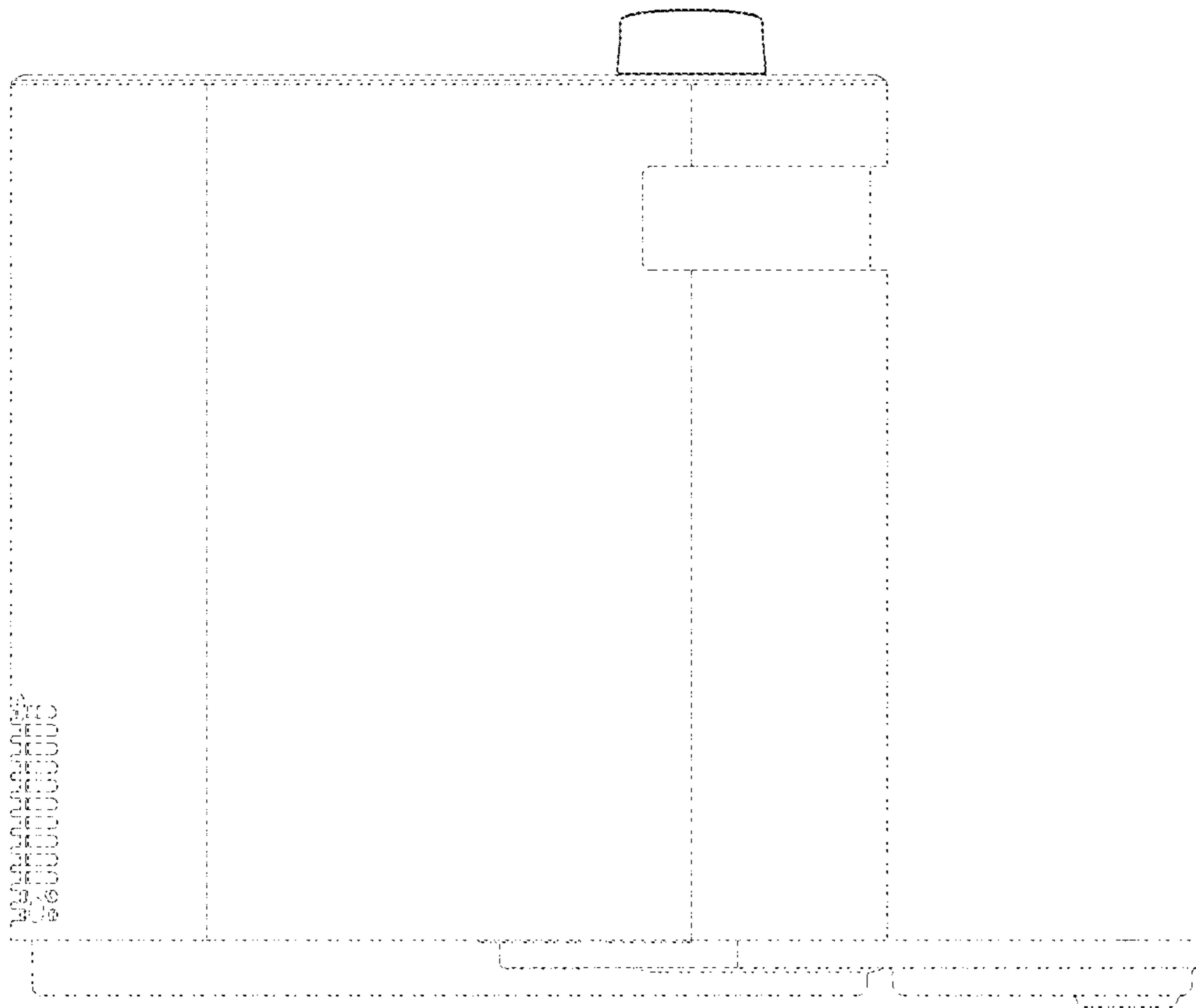


FIG. 12

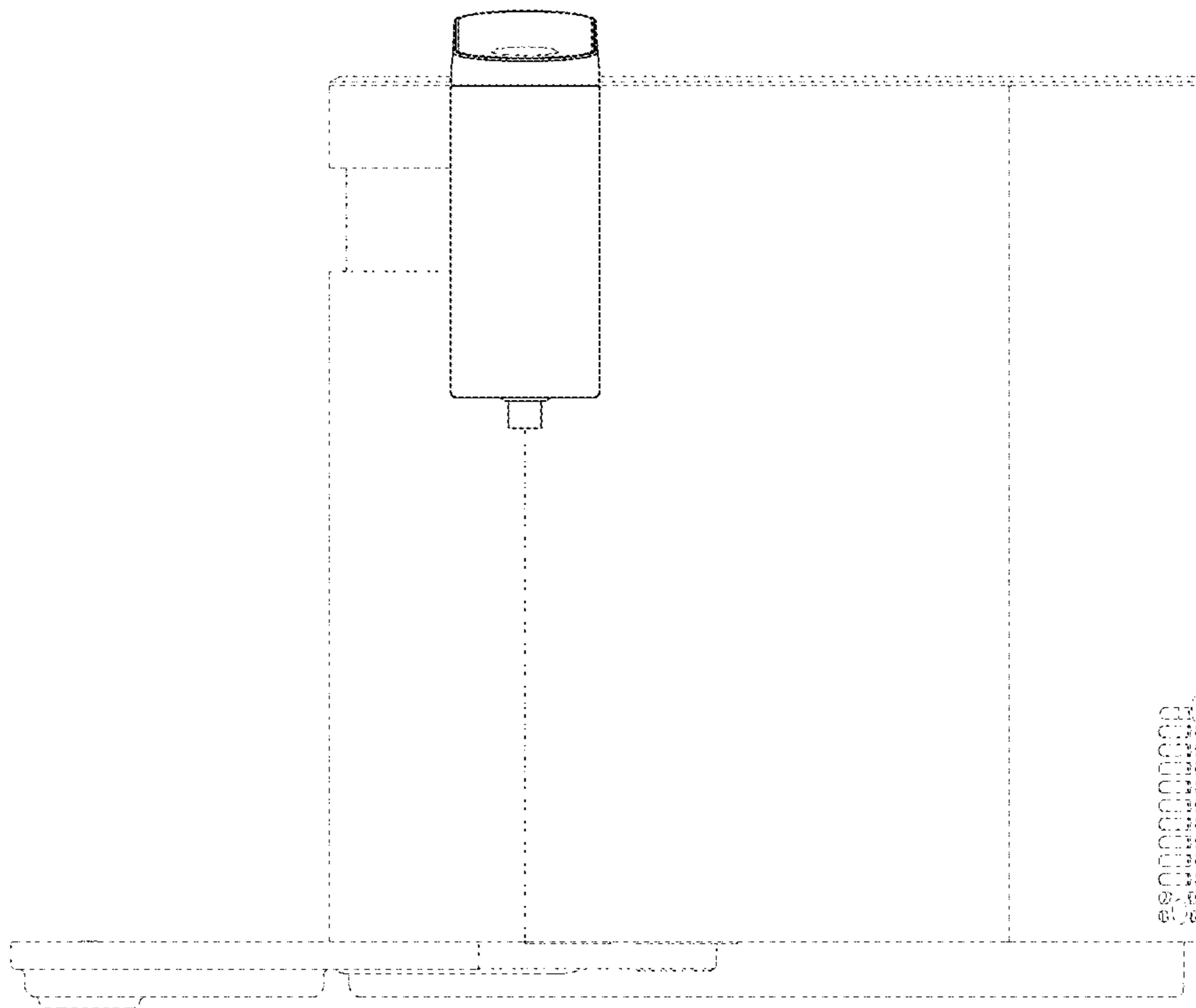


FIG. 13

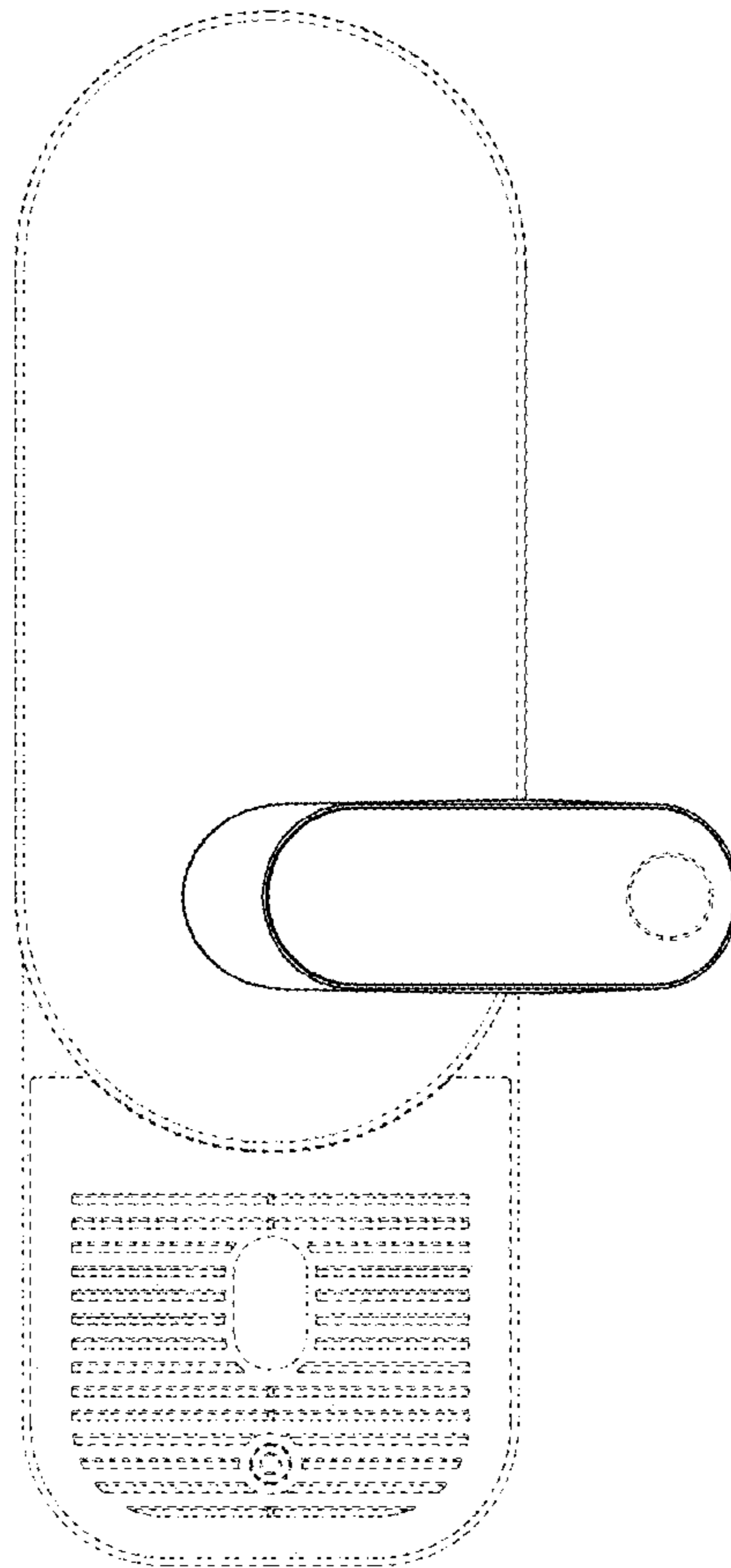


FIG. 14

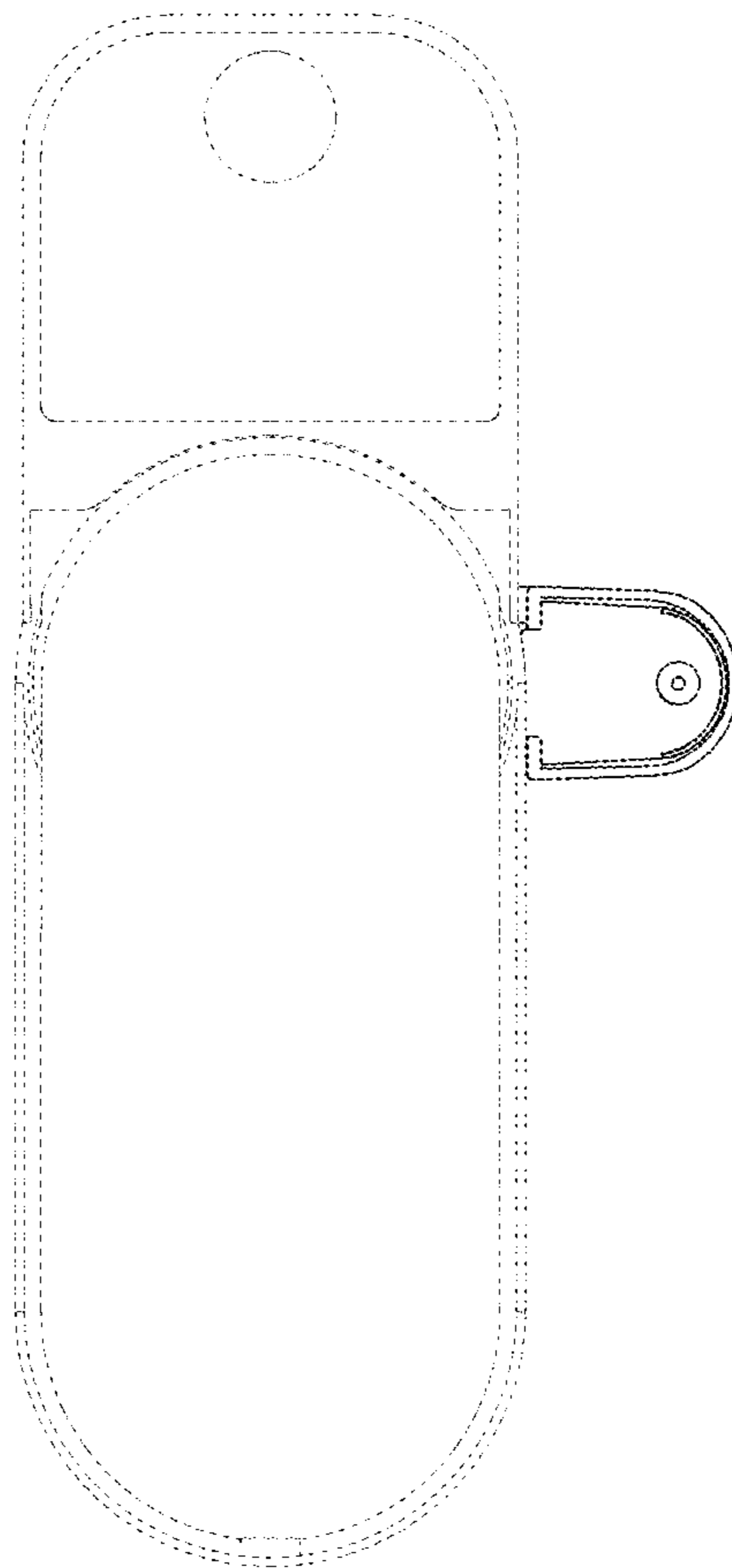


FIG. 15

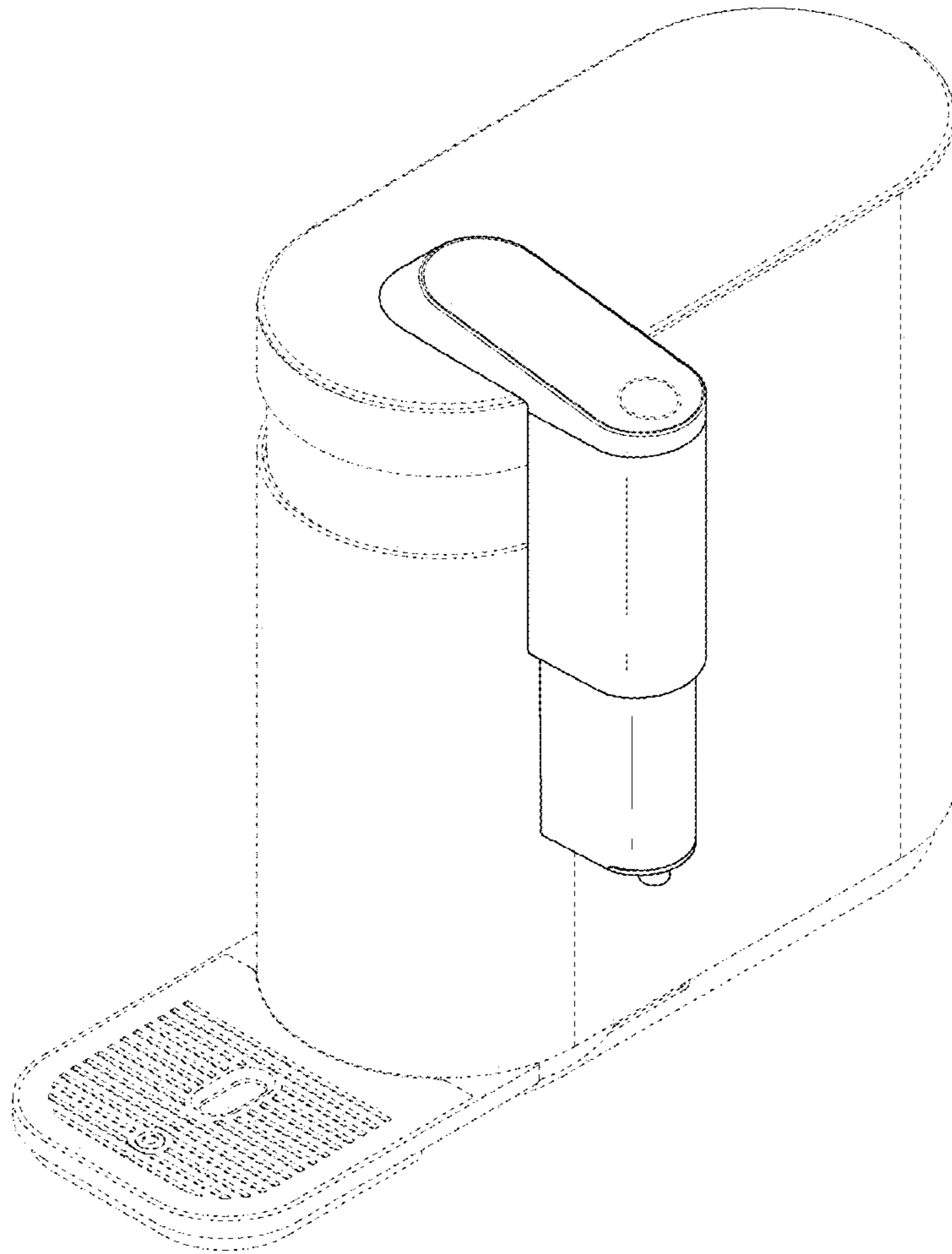


FIG. 16

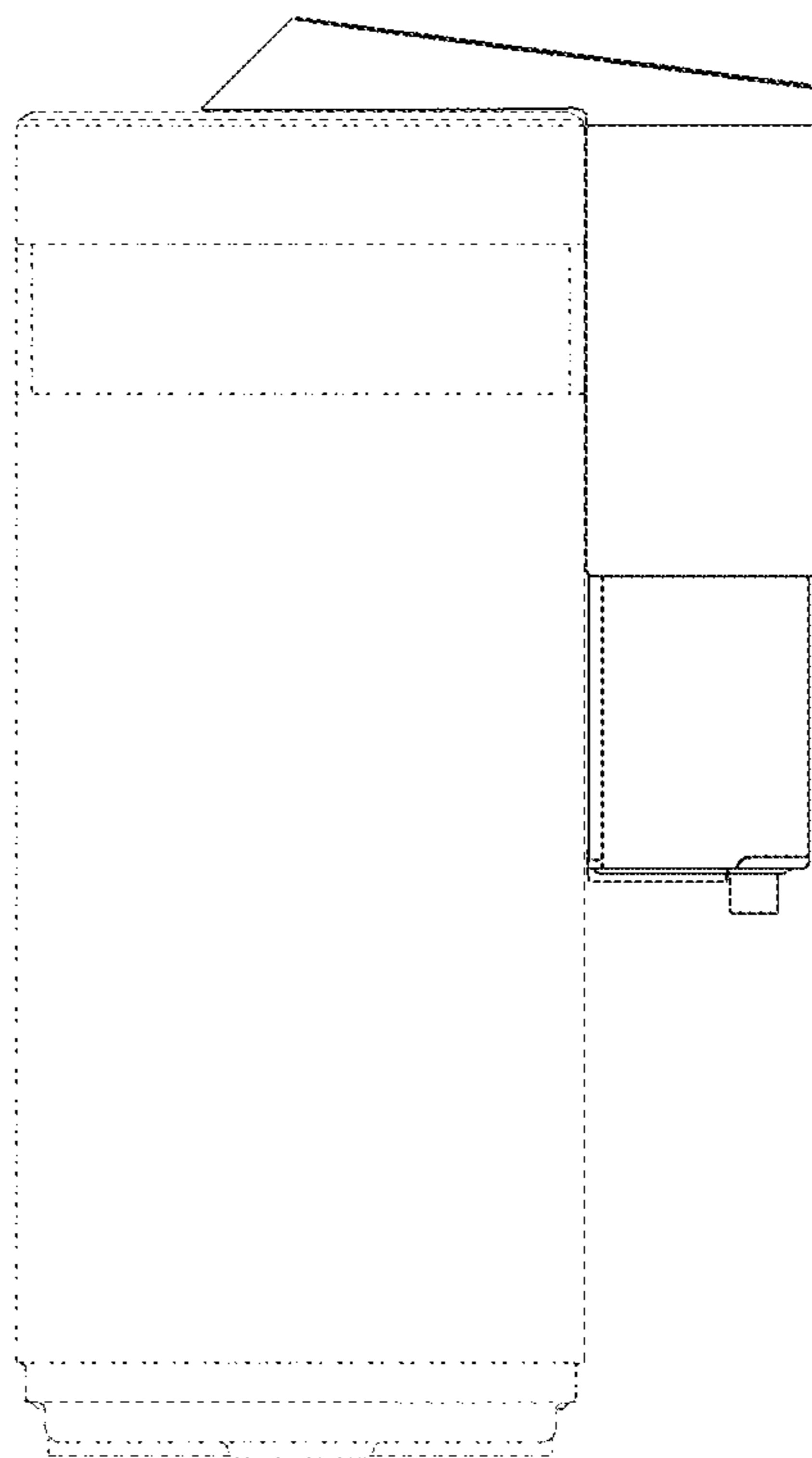


FIG. 17

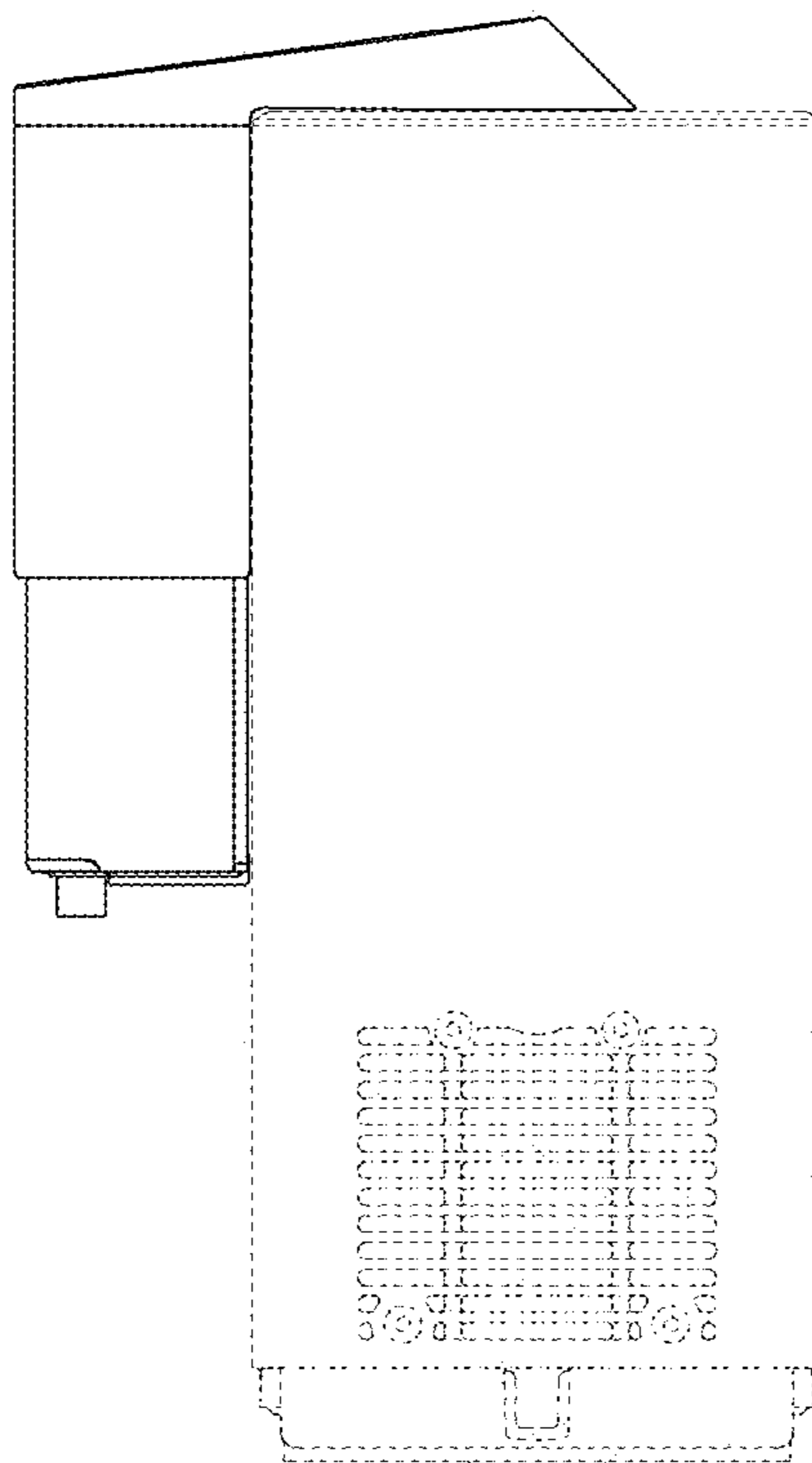


FIG. 18

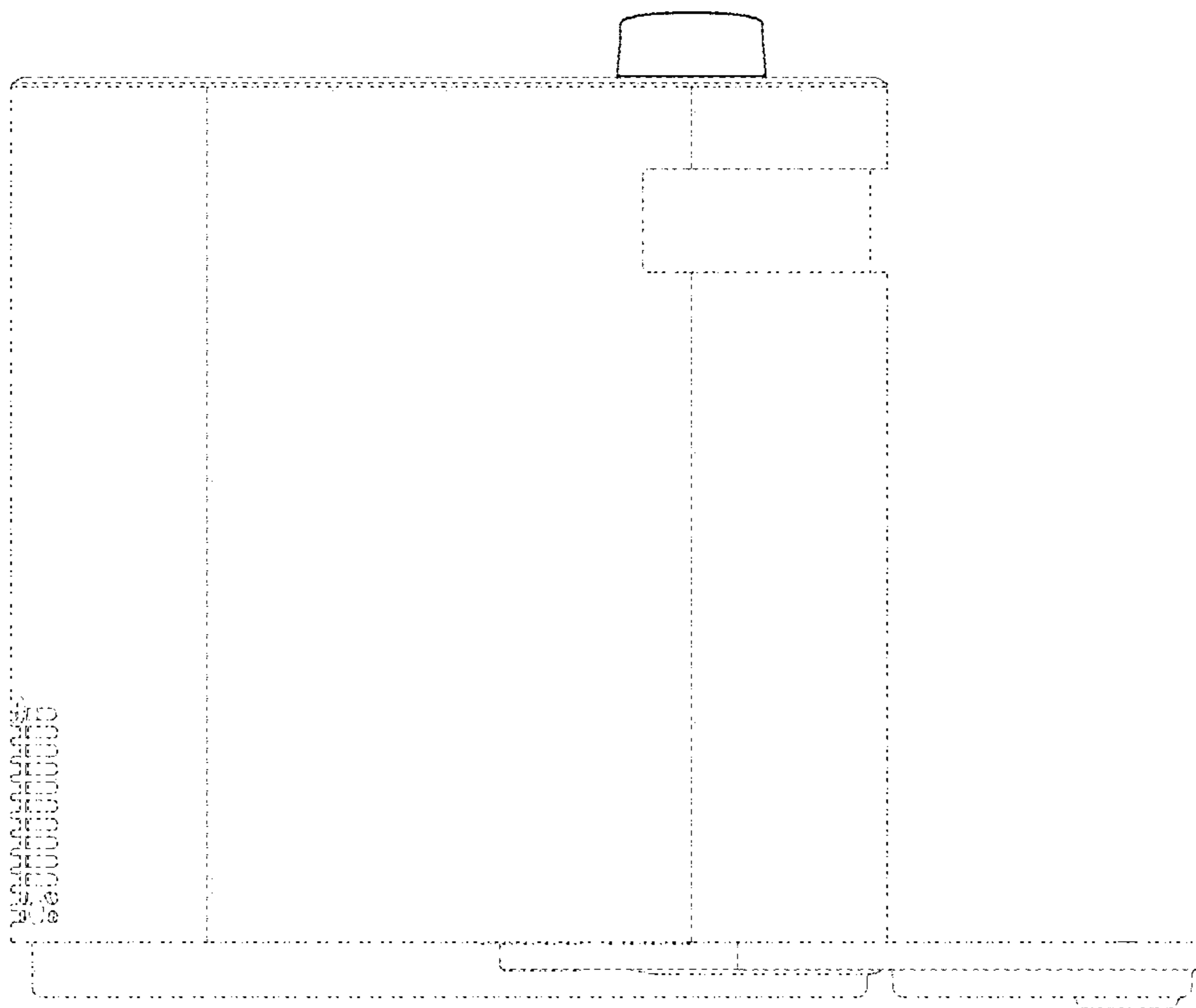


FIG. 19

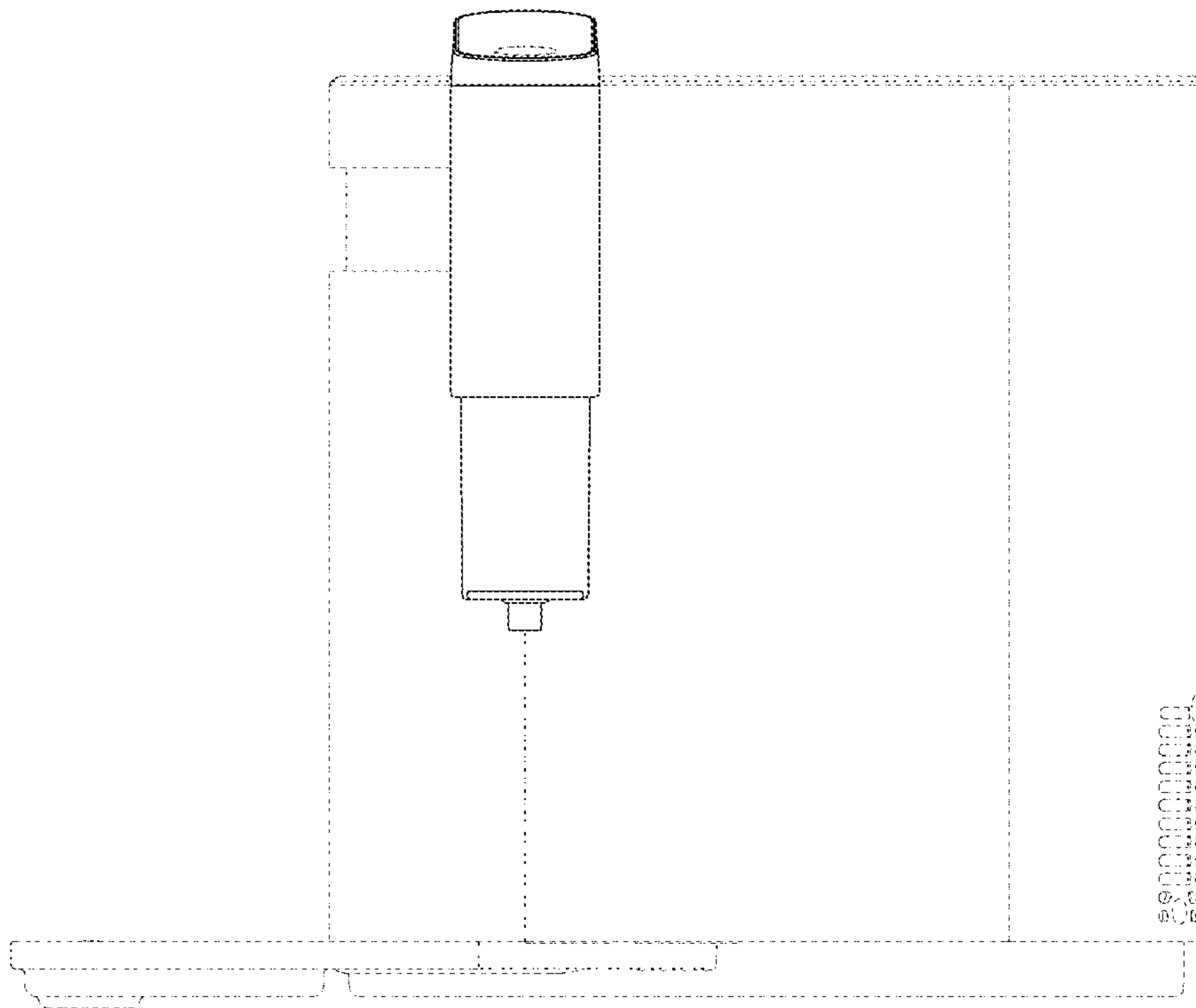


FIG. 20

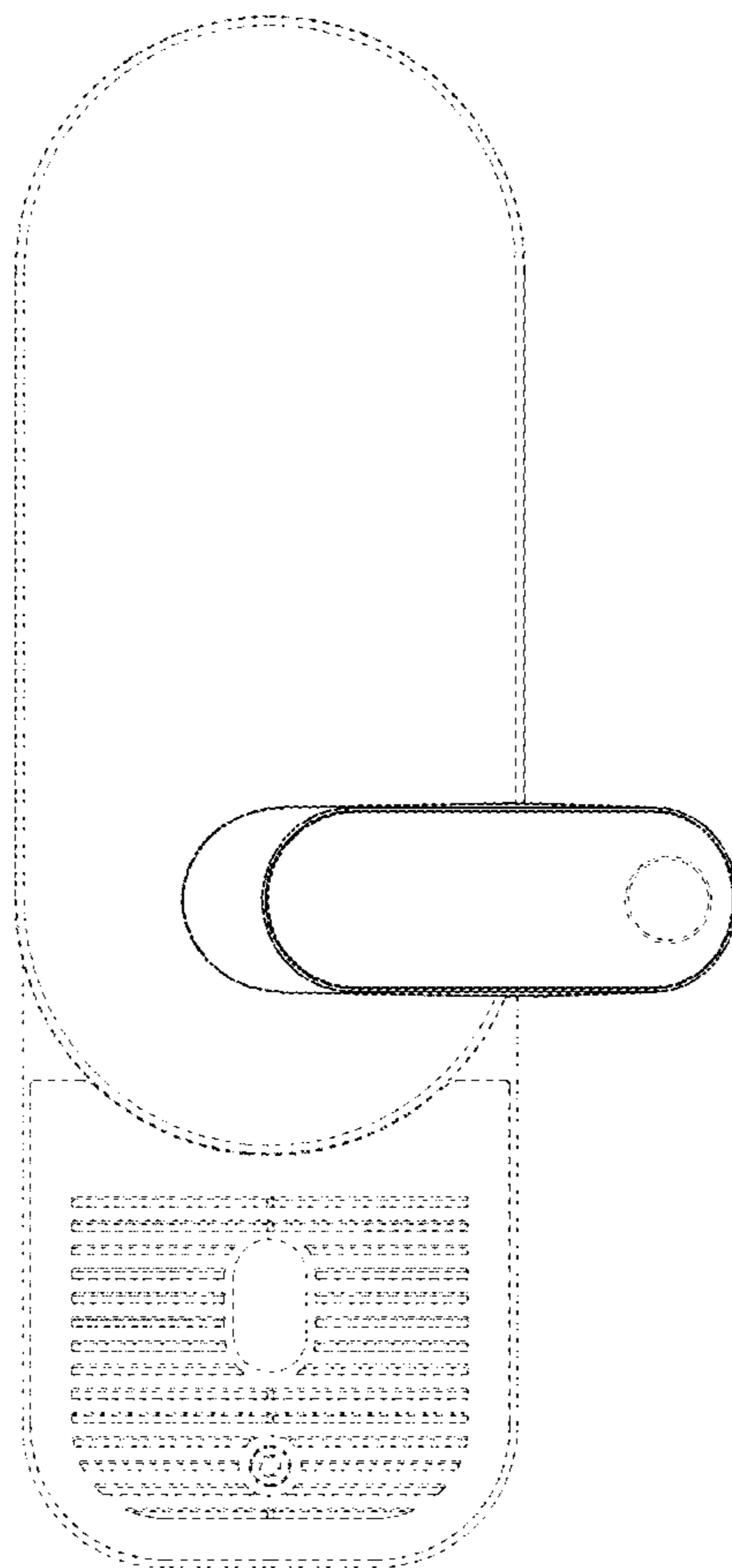


FIG. 21

