



US00D930771S

(12) **United States Design Patent**  
**Lee et al.**

(10) **Patent No.:** **US D930,771 S**

(45) **Date of Patent:** **\*\* Sep. 14, 2021**

(54) **PUTTER**

(71) Applicants: **Jae Soo Lee**, Federal Way, WA (US);  
**Sarah Cho**, Federal Way, WA (US)

(72) Inventors: **Jae Soo Lee**, Federal Way, WA (US);  
**Sarah Cho**, Federal Way, WA (US)

(\*\*) Term: **15 Years**

(21) Appl. No.: **29/728,322**

(22) Filed: **Mar. 17, 2020**

(51) **LOC (13) Cl.** ..... **21-02**

(52) **U.S. Cl.**  
USPC ..... **D21/744**

(58) **Field of Classification Search**  
USPC ..... D21/736-746, 759  
CPC ..... A63B 53/00; A63B 53/04; A63B 53/007;  
A63B 53/065; A63B 53/0487; A63B  
60/00; A63B 60/46  
See application file for complete search history.

(56) **References Cited**

**U.S. PATENT DOCUMENTS**

4,065,133	A	*	12/1977	Gordos	.....	A63B 53/047 473/327
D297,444	S	*	8/1988	Shearer	.....	D21/743
D307,455	S	*	4/1990	Boone	.....	D21/744
D375,535	S	*	11/1996	Gorman	.....	D21/752
D379,392	S	*	5/1997	Fehrer	.....	D21/743
D394,688	S	*	5/1998	Fox	.....	D21/733
D548,296	S	*	8/2007	Rollinson	.....	D21/744
D557,361	S	*	12/2007	Rollinson	.....	D21/743
D559,930	S	*	1/2008	Cameron	.....	D21/746
D566,212	S	*	4/2008	Bardha	.....	D21/736

D569,462	S	*	5/2008	Rollinson	.....	D21/744
D575,366	S	*	8/2008	Rollinson	.....	D21/744
D578,592	S	*	10/2008	Oldknow	.....	D21/759
D618,292	S	*	6/2010	Moretz	.....	D21/743
D718,399	S	*	11/2014	Glod	.....	D21/759
D735,827	S	*	8/2015	Glod	.....	D21/759
D757,195	S	*	5/2016	Takagi	.....	D21/759
D759,171	S	*	6/2016	Rollinson	.....	D21/743
D773,572	S	*	12/2016	Rollinson	.....	D21/743
D835,739	S	*	12/2018	Long	.....	D21/759
D844,725	S	*	4/2019	Oyler	.....	D21/747
D858,666	S	*	9/2019	Serrano	.....	D21/746
D861,092	S	*	9/2019	Glorioso	.....	D21/743
D874,592	S	*	2/2020	Parente	.....	D21/744

\* cited by examiner

*Primary Examiner* — Mitchell I. Siegel

(74) *Attorney, Agent, or Firm* — John K. Park; Park Law Firm

(57) **CLAIM**

The ornamental design for a putter, as shown and described.

**DESCRIPTION**

FIG. 1 is a perspective view of the putter showing my new design;

FIG. 2 is a rear view thereof;

FIG. 3 is a front view thereof;

FIG. 4 is a right side view thereof;

FIG. 5 is a left side view thereof;

FIG. 6 is a top plan view thereof; and,

FIG. 7 is a bottom plan view.

The broken lines shown in the Figs. are included for the purpose of illustrating portion of the putter which form no part of the claimed design.

**1 Claim, 4 Drawing Sheets**

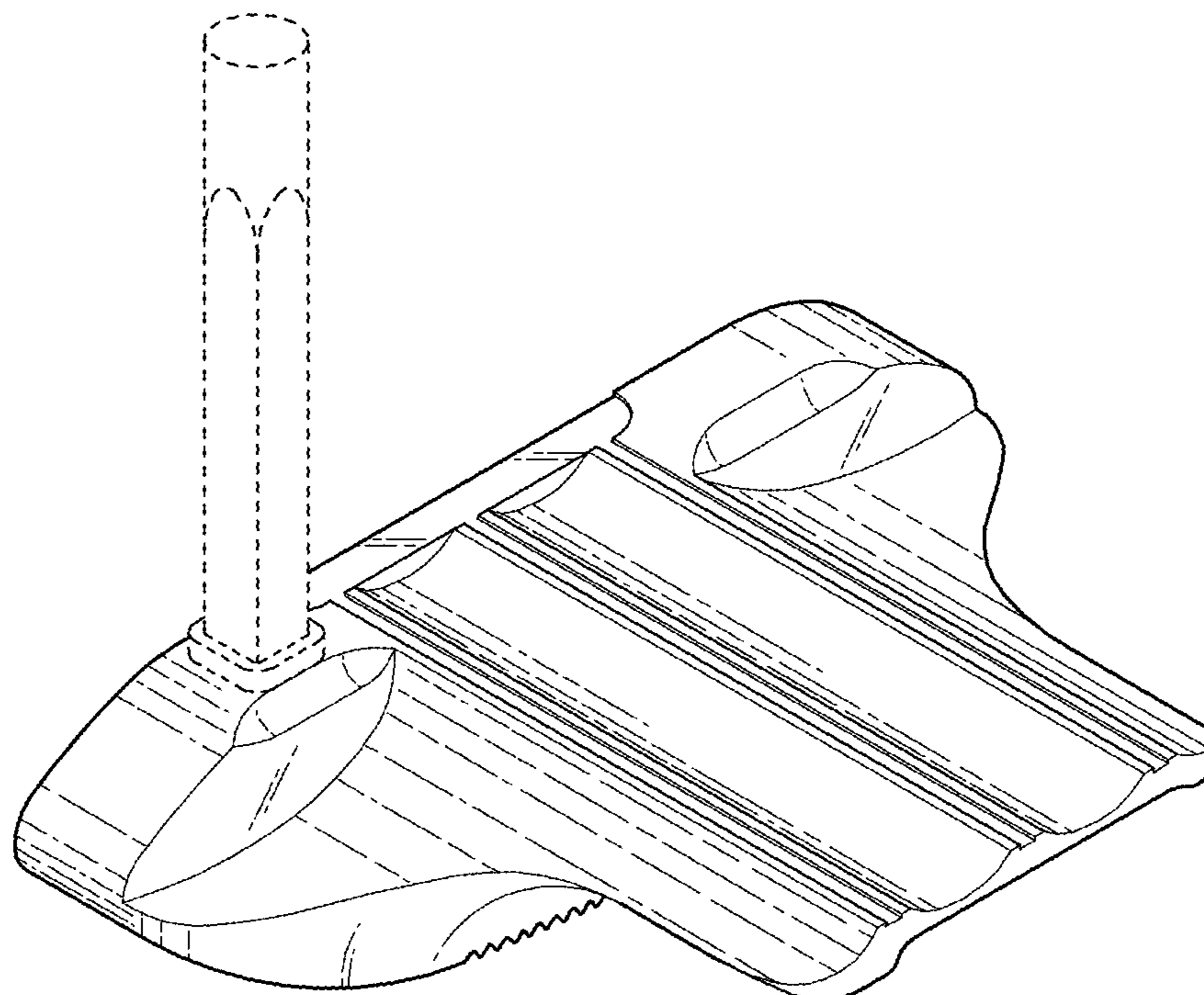


FIG. 1

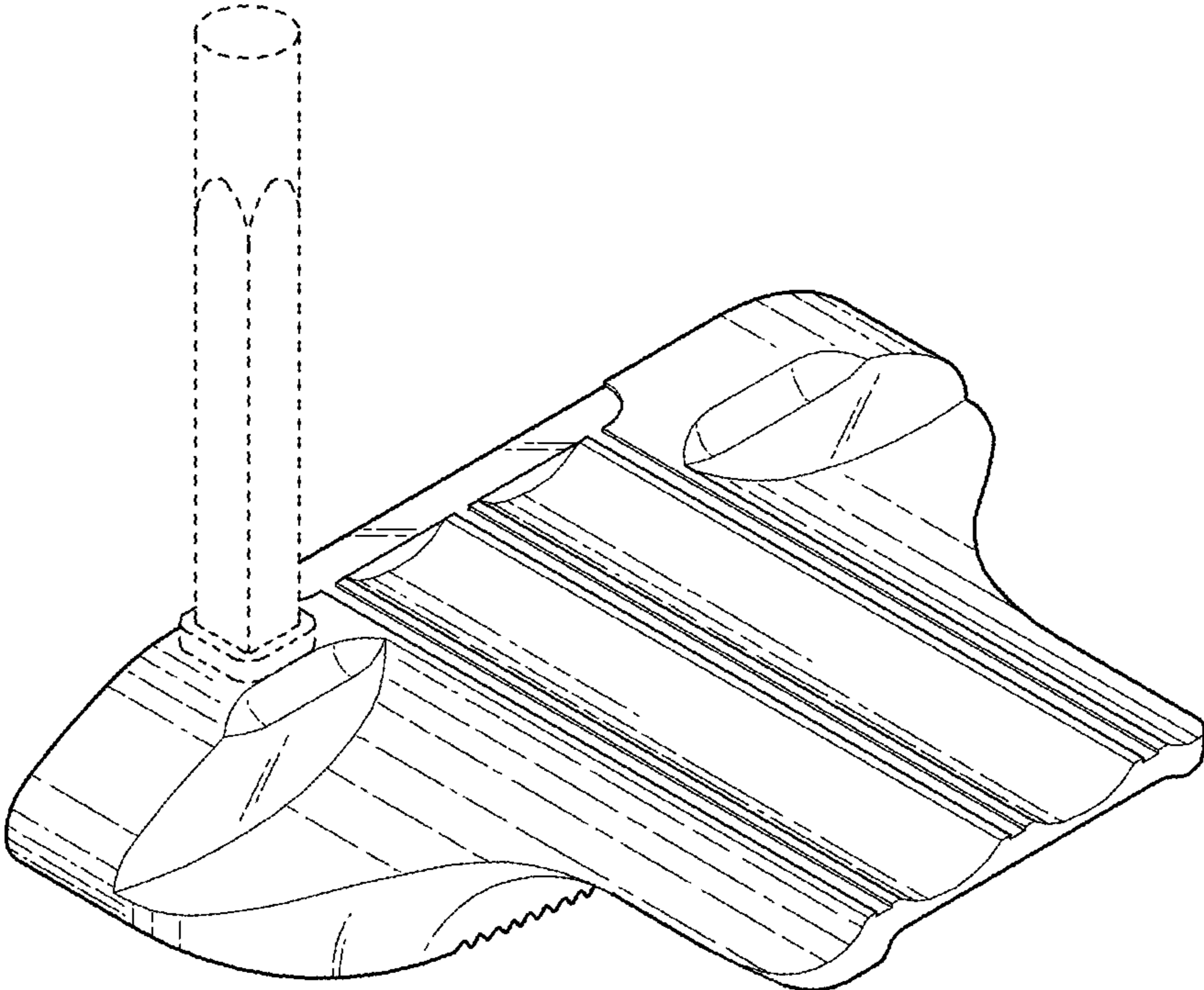


FIG. 2

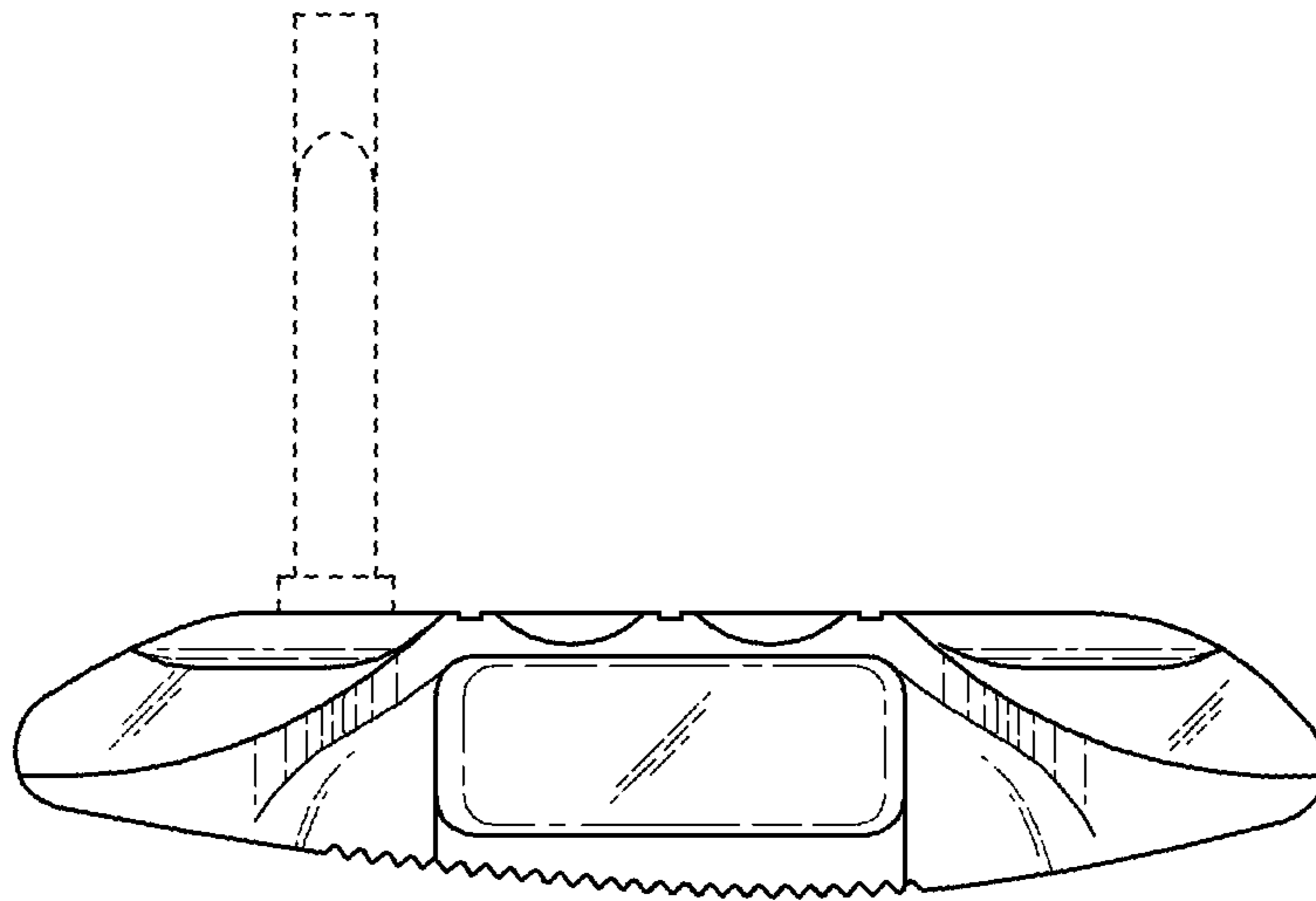


FIG. 3

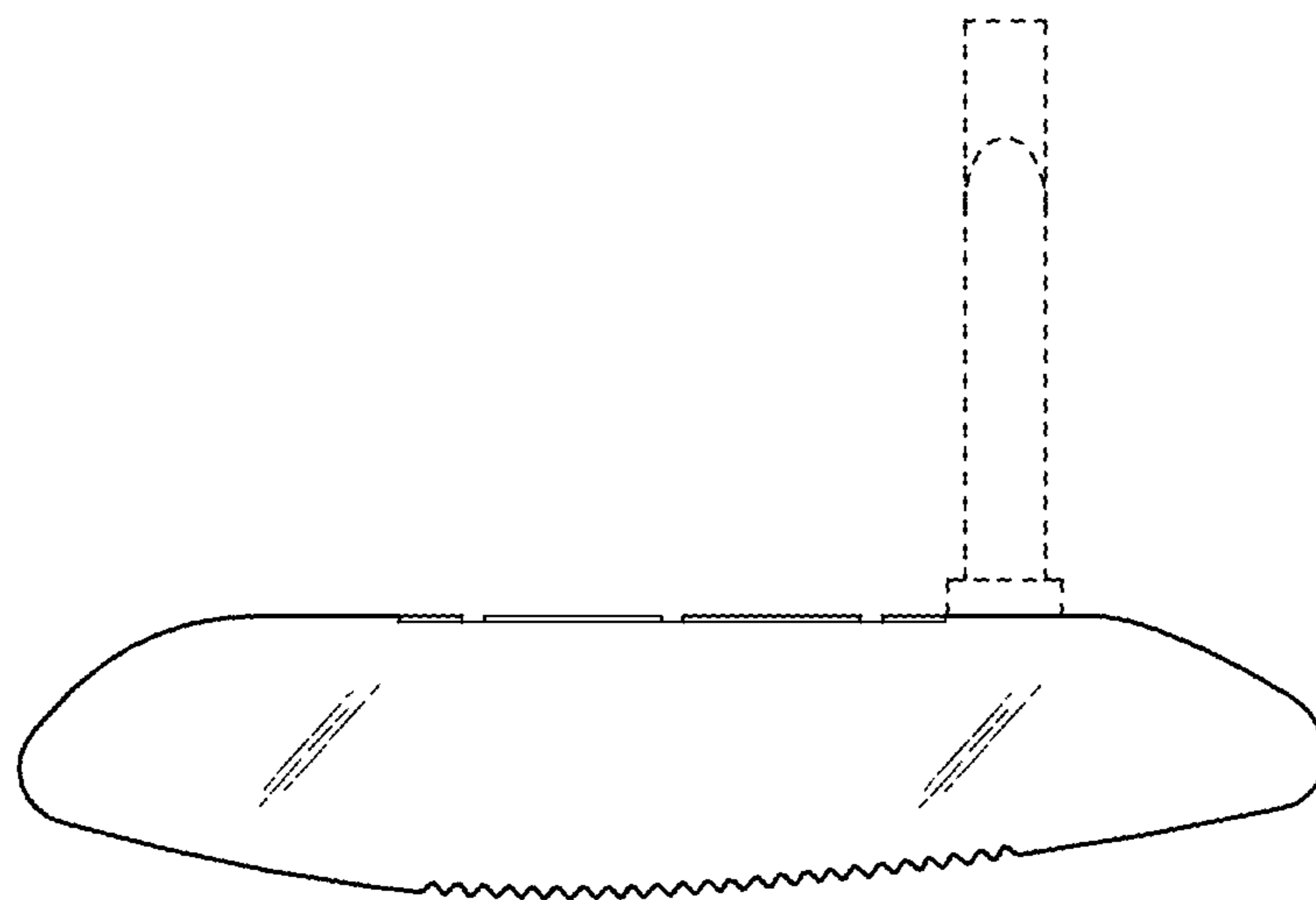


FIG. 4

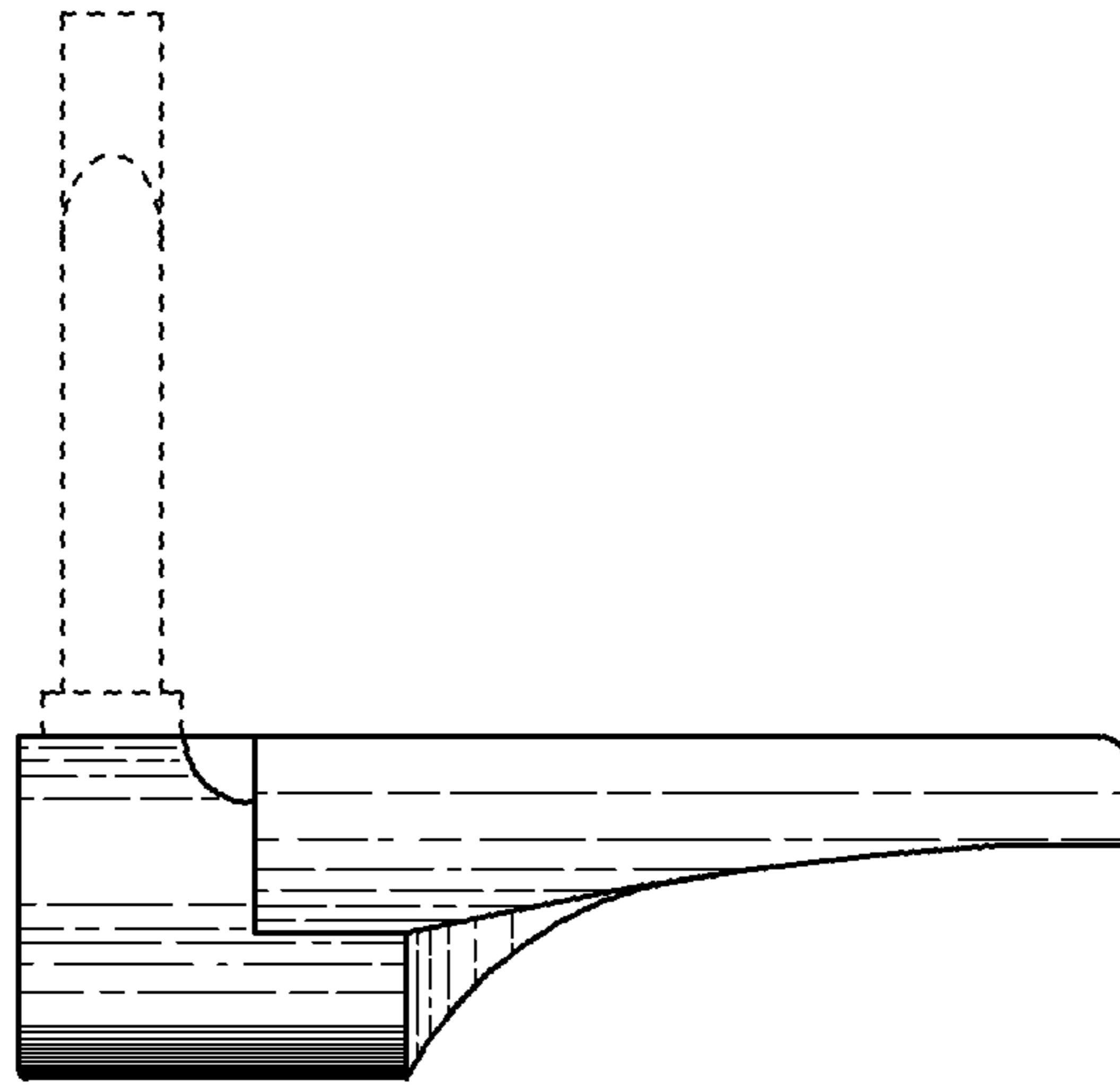


FIG. 5

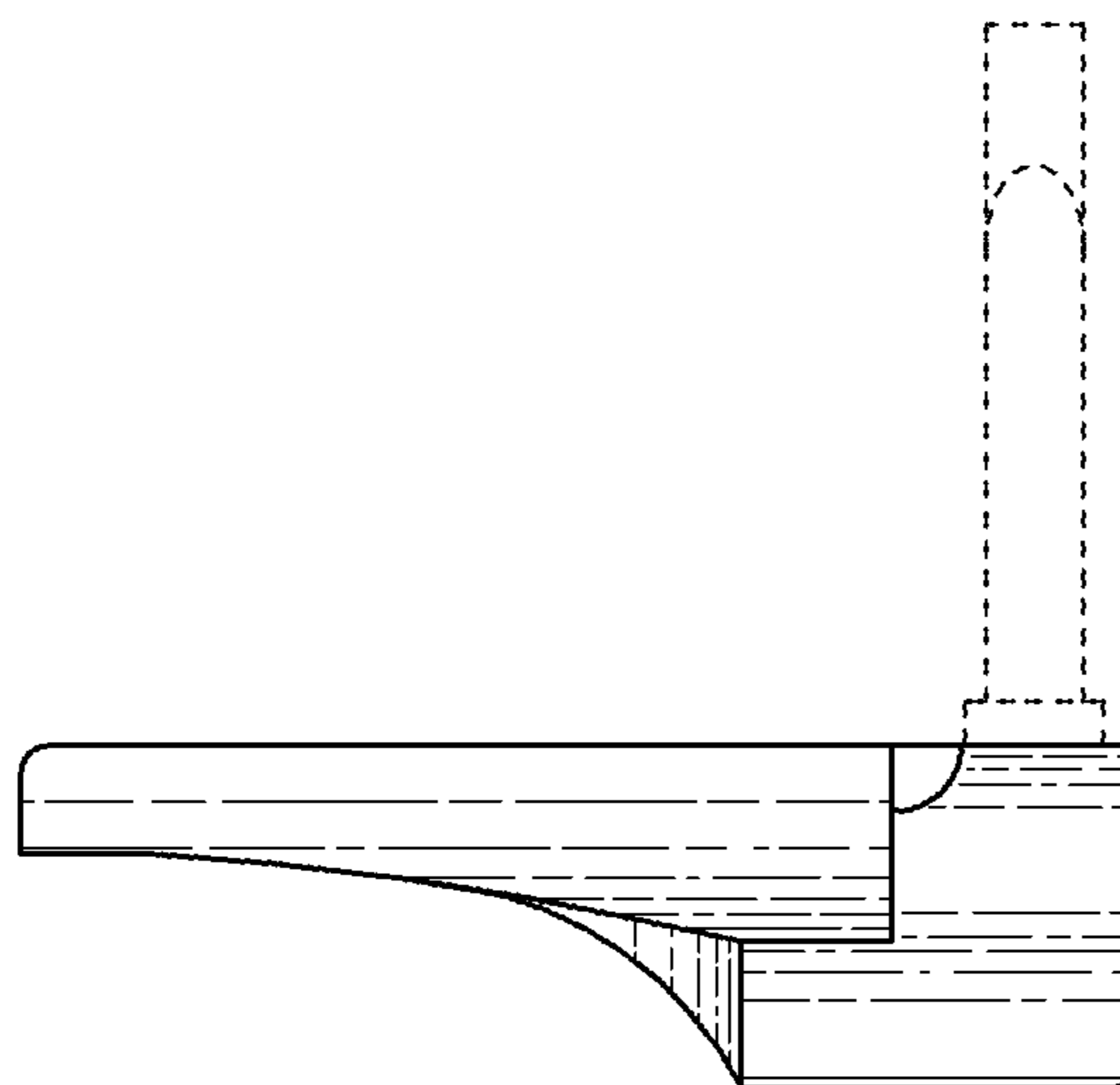


FIG. 6

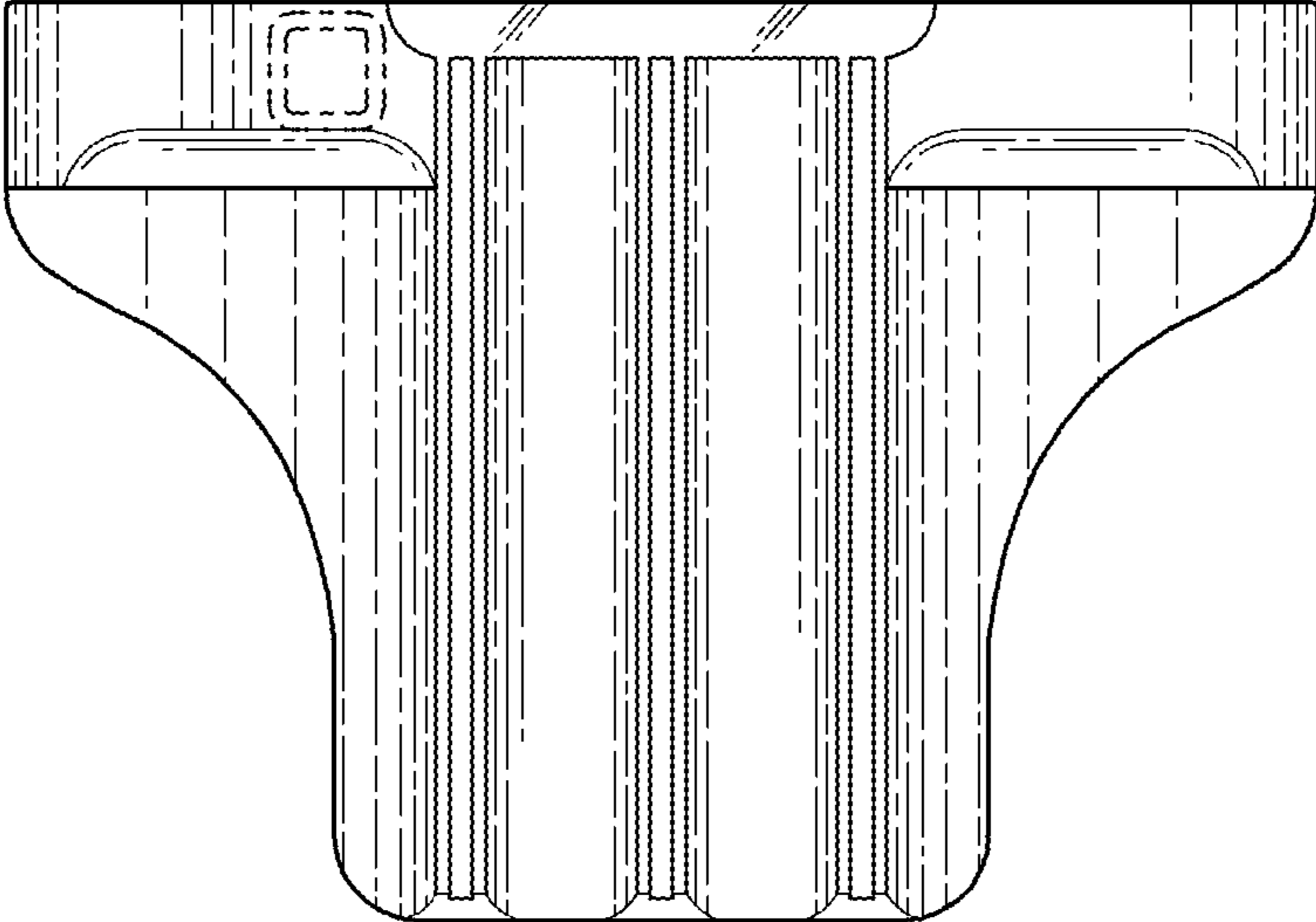


FIG. 7

