



US00D930768S

(12) **United States Design Patent**  
**Cameron**

(10) **Patent No.:** **US D930,768 S**

(45) **Date of Patent:** **\*\* Sep. 14, 2021**

(54) **PUTTER GOLF CLUB HEAD**

(71) Applicant: **Acushnet Company**, Fairhaven, MA  
(US)

(72) Inventor: **Don T. Cameron**, Carlsbad, CA (US)

(73) Assignee: **Acushnet Company**, Fairhaven, MA  
(US)

(\*\*) Term: **15 Years**

(21) Appl. No.: **29/731,786**

(22) Filed: **Apr. 17, 2020**

(51) **LOC (13) Cl.** ..... **21-02**

(52) **U.S. Cl.**  
USPC ..... **D21/743**

(58) **Field of Classification Search**  
USPC ..... D21/736-746, 759  
CPC ..... A63B 53/00; A63B 53/04; A63B 53/007;  
A63B 53/065; A63B 53/0487; A63B  
60/00; A63B 60/46  
See application file for complete search history.

(56) **References Cited**

**U.S. PATENT DOCUMENTS**

D701,928 S *	4/2014	Cameron	.....	D21/736
D728,715 S *	5/2015	Cameron	.....	D21/736
D742,980 S *	11/2015	Cameron	.....	D21/759
D796,603 S *	9/2017	Serrano	.....	D21/744
D807,453 S *	1/2018	Serrano	.....	D21/743
D815,222 S *	4/2018	Serrano	.....	D21/743

D820,364 S *	6/2018	Cameron	.....	D21/743
D832,381 S *	10/2018	Serrano	.....	D21/743
D844,722 S *	4/2019	Wang	.....	D21/736
D865,885 S *	11/2019	Long	.....	D21/736
D867,495 S *	11/2019	Cameron	.....	D21/736
D873,358 S *	1/2020	Lee	.....	D21/744
D882,006 S *	4/2020	Serrano	.....	D21/736
D892,954 S *	8/2020	Clarke	.....	D21/736
D893,645 S *	8/2020	Serrano	.....	D21/743
D898,846 S *	10/2020	Clarke	.....	D21/743
D898,847 S *	10/2020	Clarke	.....	D21/743
D909,507 S *	2/2021	Rollinson	.....	D21/736
D909,508 S *	2/2021	Rollinson	.....	D21/743
D921,140 S *	6/2021	Serrano	.....	D21/736

\* cited by examiner

*Primary Examiner* — Mitchell I. Siegel

(74) *Attorney, Agent, or Firm* — Randy K. Chang

(57) **CLAIM**

The ornamental design for putter golf club head, as shown and described.

**DESCRIPTION**

FIG. 1 is a perspective view of a putter golf club head showing design;  
FIG. 2 is a top plan view thereof;  
FIG. 3 is a rear elevation view thereof;  
FIG. 4 is a bottom plan view thereof;  
FIG. 5 is a toe end view thereof;  
FIG. 6 is a front elevation view thereof; and,  
FIG. 7 is a heel end view thereof.  
The broken lines shown on the drawings form no part of the claimed design.

**1 Claim, 3 Drawing Sheets**

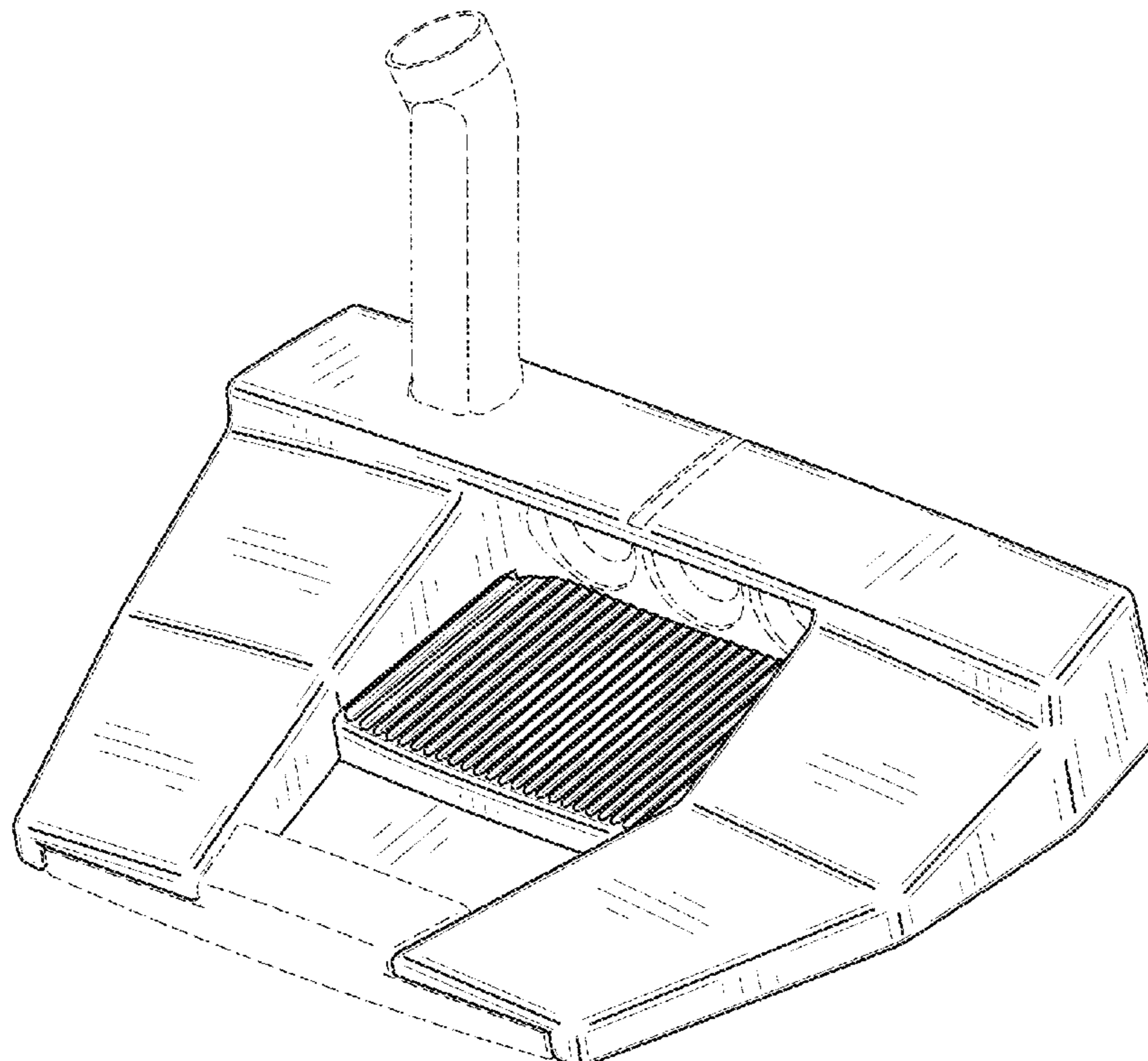


FIG. 1

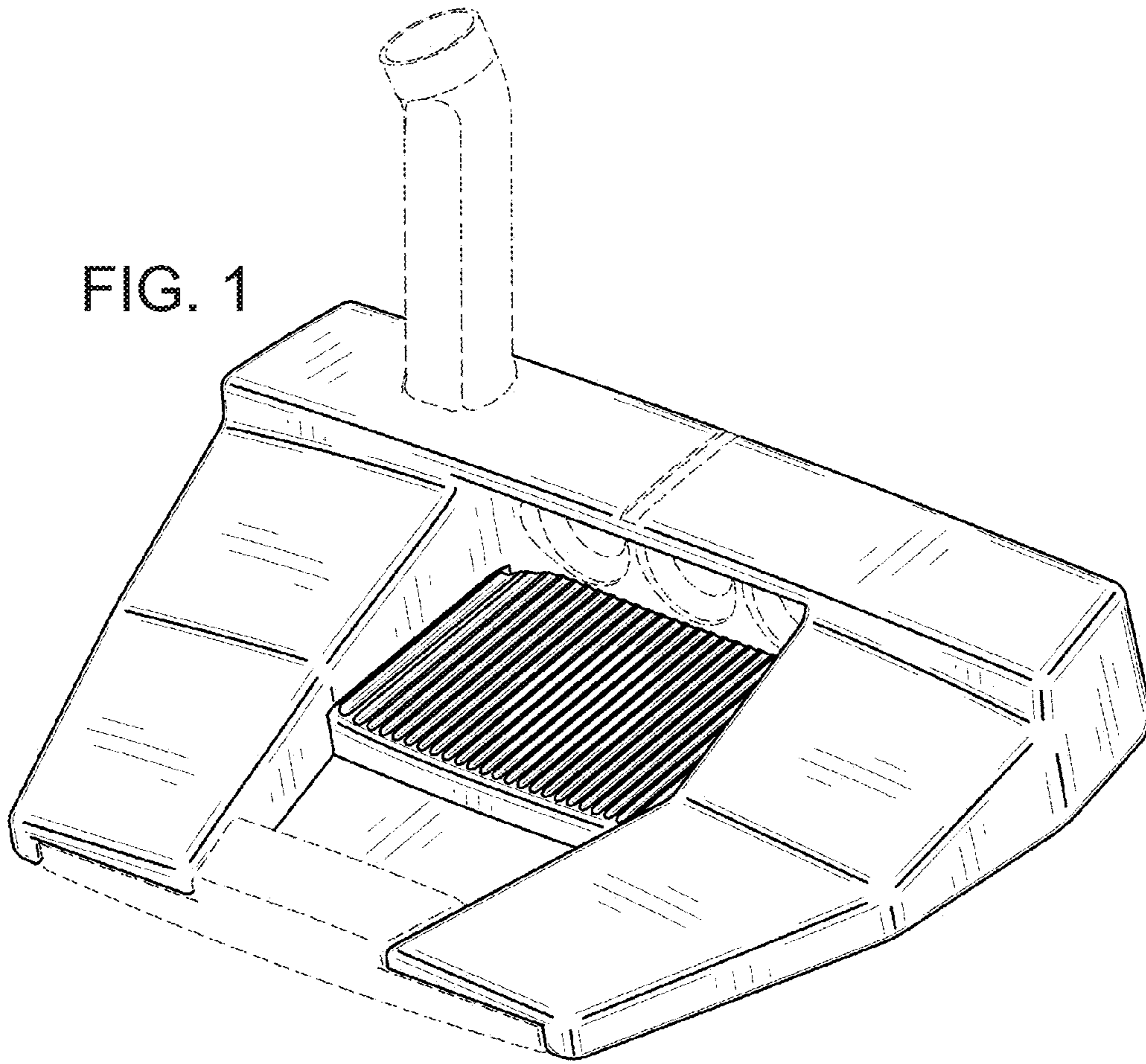
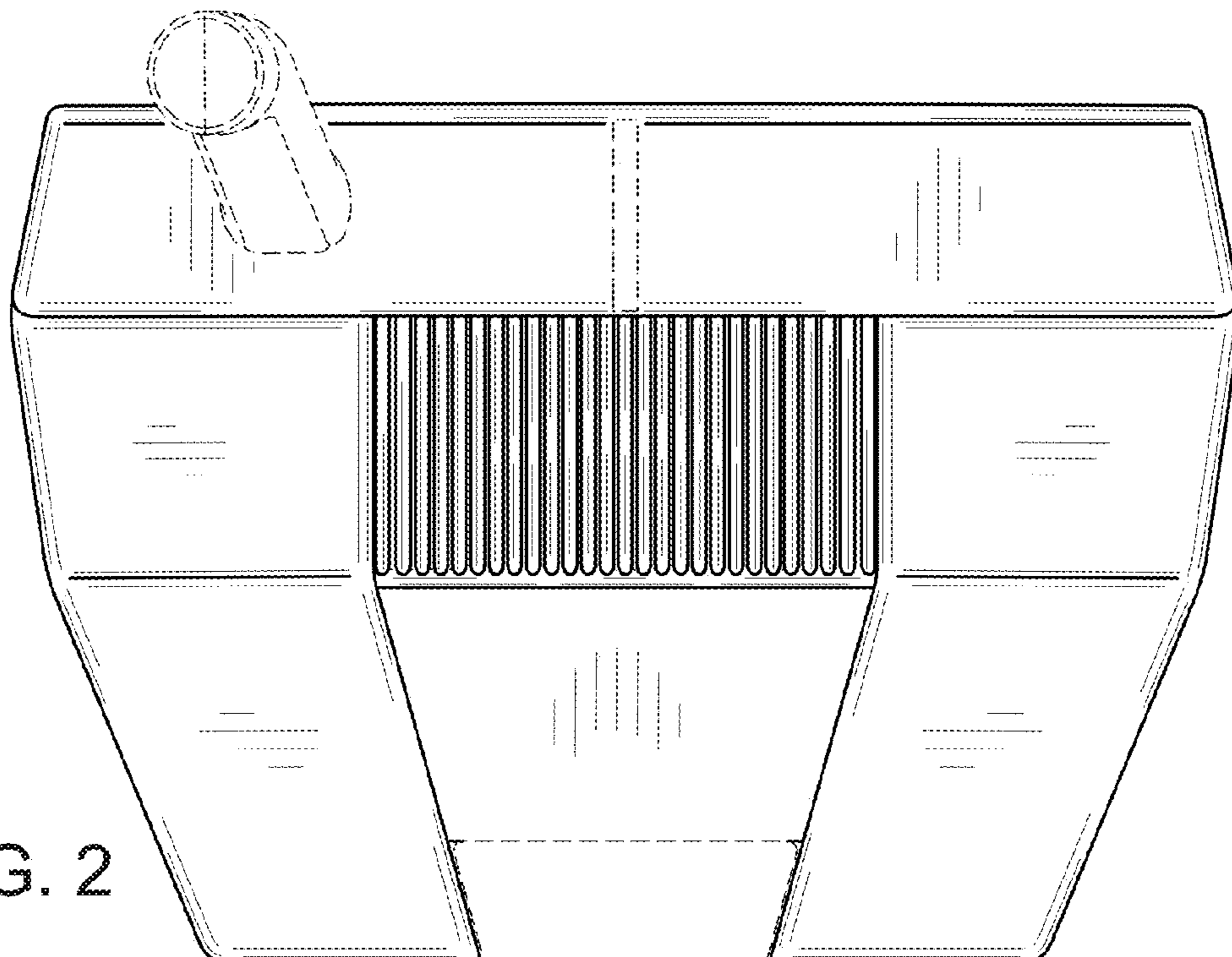


FIG. 2



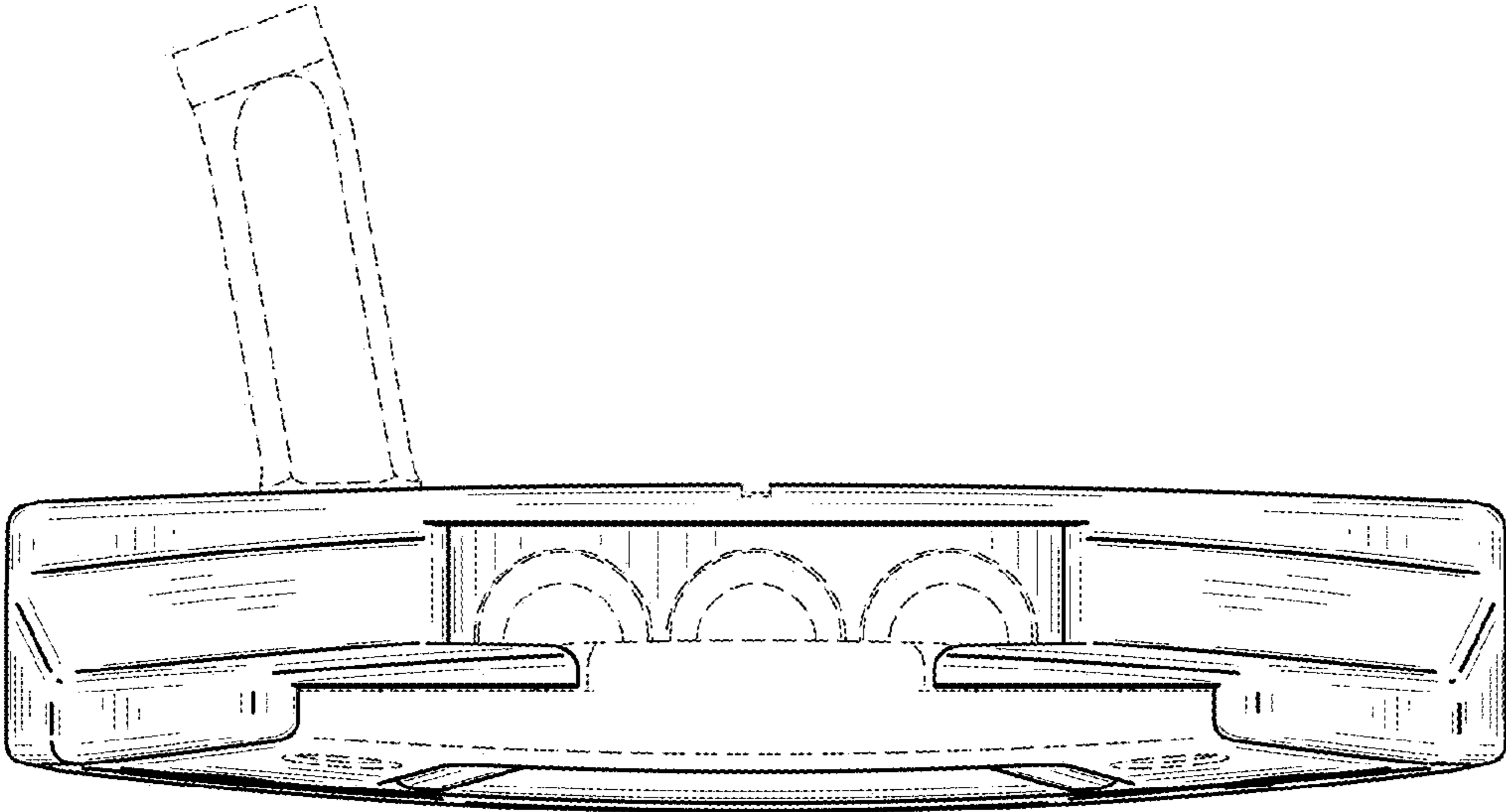


FIG. 3

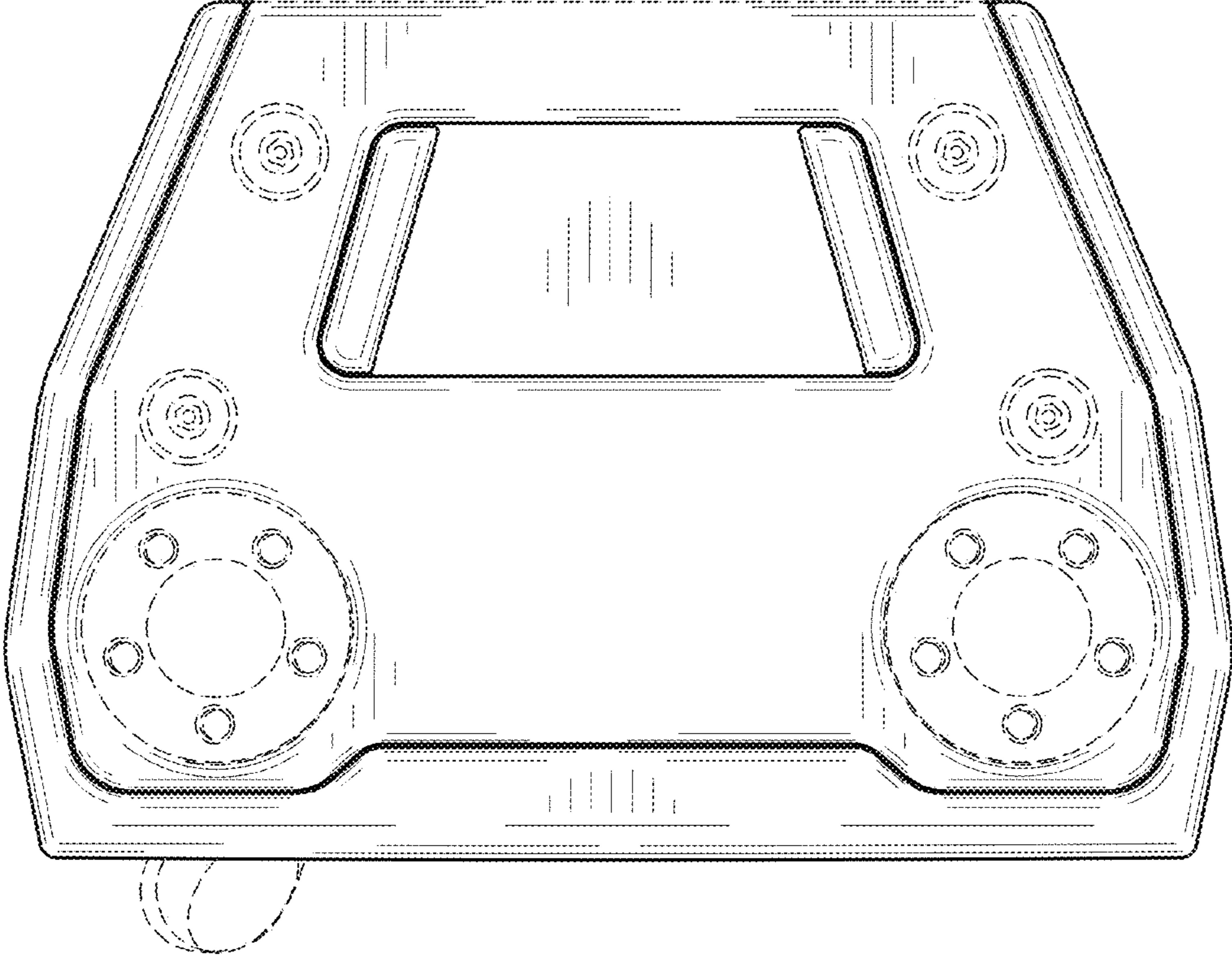


FIG. 4

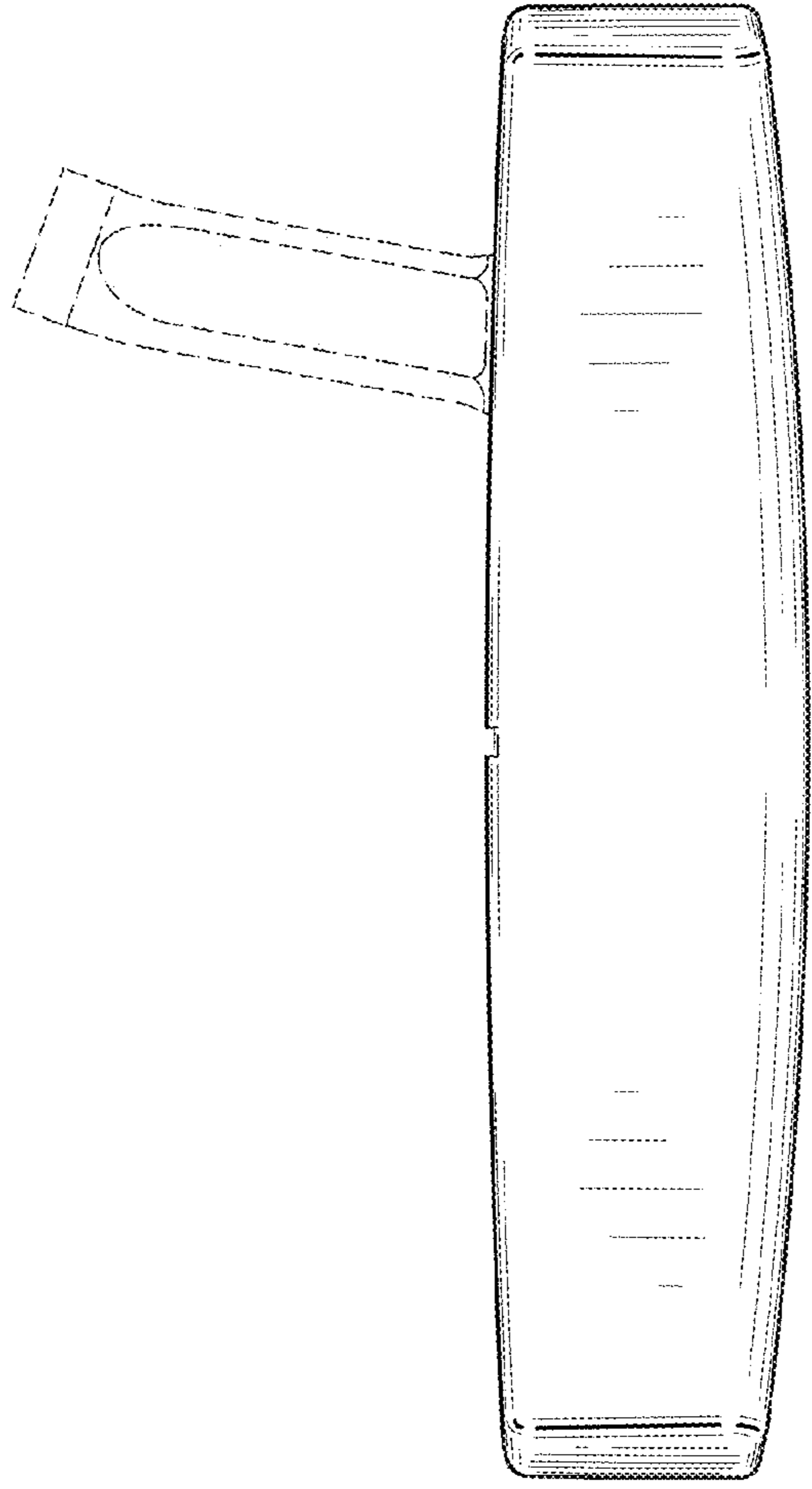


FIG. 6

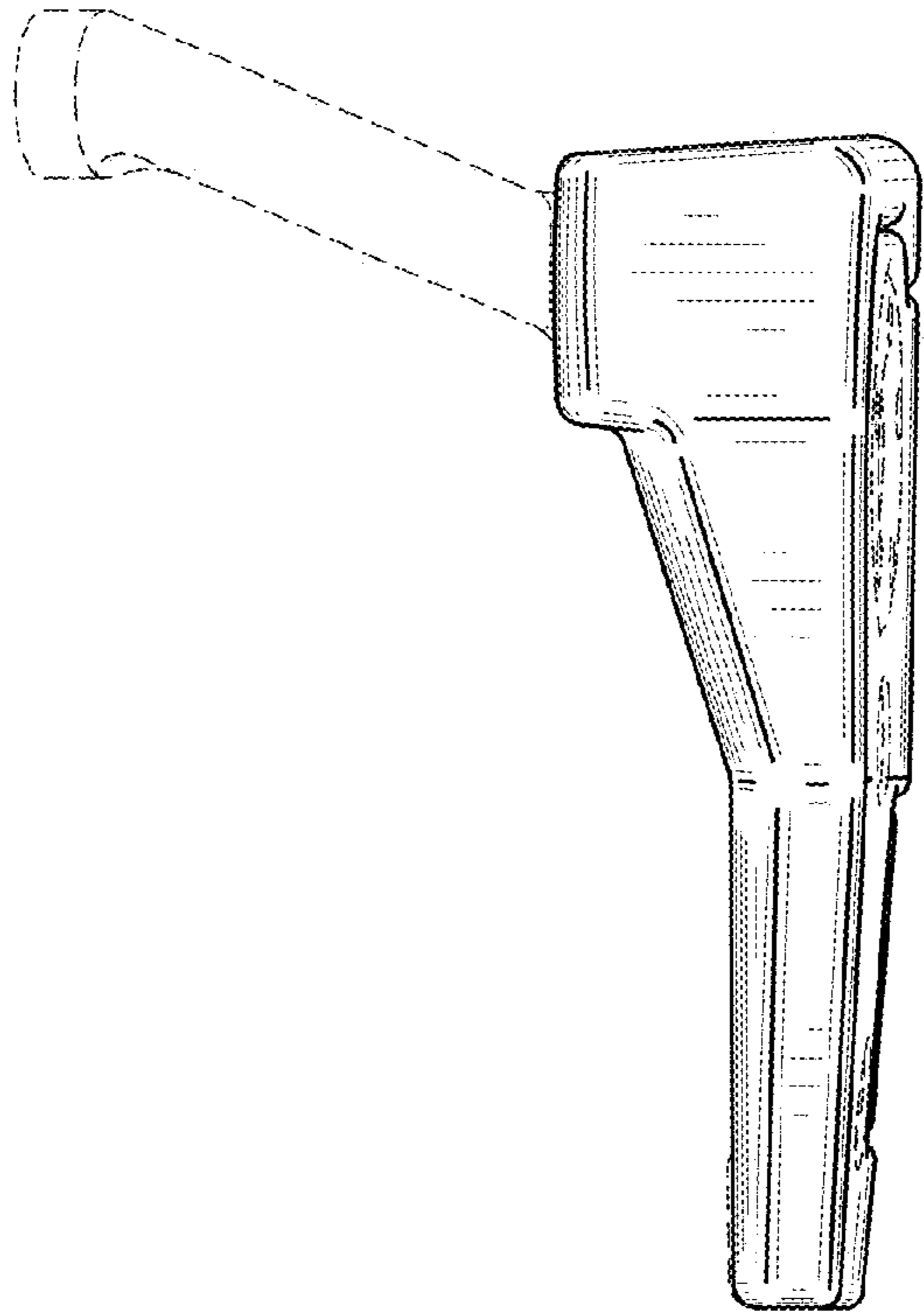


FIG. 5

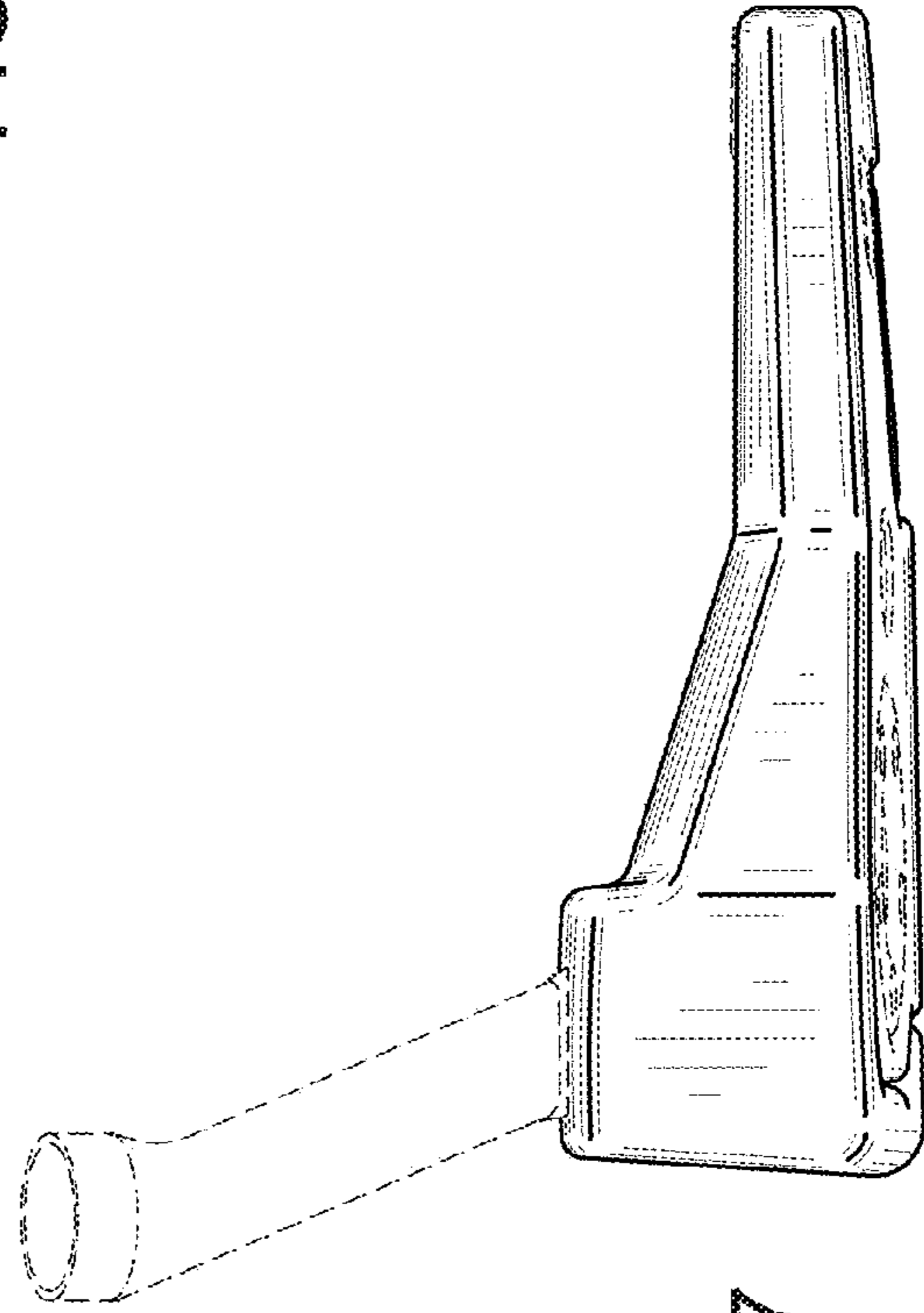


FIG. 7