



US00D930767S

(12) **United States Design Patent** (10) **Patent No.:** **US D930,767 S**  
**Alicea** (45) **Date of Patent:** **\*\* Sep. 14, 2021**

(54) **SWING TRAINING AID**  
(71) Applicant: **Jose Alicea**, Orlando, FL (US)  
(72) Inventor: **Jose Alicea**, Orlando, FL (US)  
(\*\*) Term: **15 Years**  
(21) Appl. No.: **29/701,215**  
(22) Filed: **Aug. 9, 2019**  
(51) **LOC (13) Cl.** ..... **21-02**  
(52) **U.S. Cl.**  
USPC ..... **D21/725**  
(58) **Field of Classification Search**  
USPC ..... D21/725, 780, 789, 791  
CPC ..... A63B 59/00; A63B 59/50–59/58; A63B  
59/80; A63B 60/00; A63B 60/46; A63B  
2102/00; A63B 2102/10; A63B 57/00;  
A63B 57/12; A63B 57/16; A63B 57/20;  
A63B 57/30; A63B 57/35  
See application file for complete search history.

(56) **References Cited**  
U.S. PATENT DOCUMENTS  
5,037,103 A \* 8/1991 Williams ..... A63B 53/007  
473/294  
D407,455 S \* 3/1999 Dolce ..... D21/756

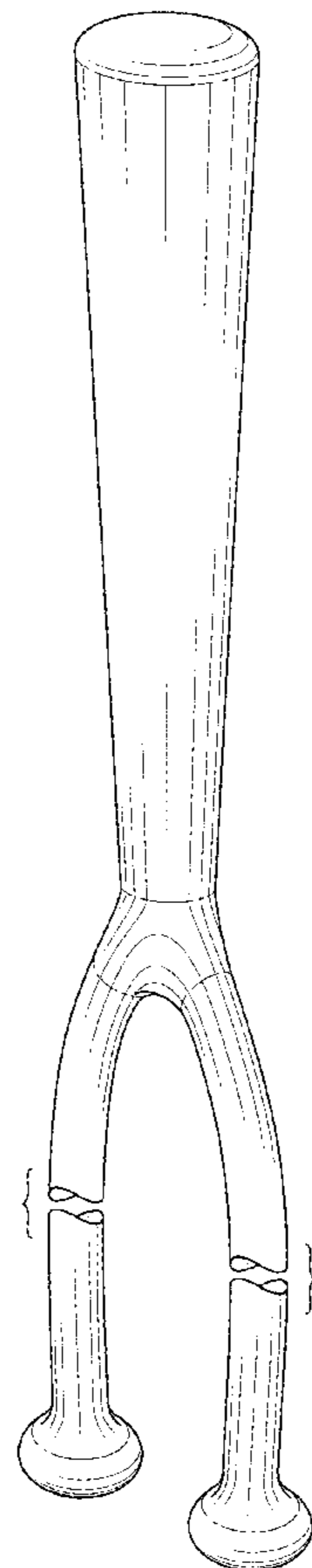
6,071,199 A \* 6/2000 Suzuki ..... A63B 69/3632  
473/294  
D557,760 S \* 12/2007 Higgins ..... D21/791  
D647,586 S \* 10/2011 Moore ..... D21/791  
D803,333 S \* 11/2017 Wells ..... D21/736

\* cited by examiner  
*Primary Examiner* — Mitchell I. Siegel  
(74) *Attorney, Agent, or Firm* — The Rapacke Law  
Group, P.A.

(57) **CLAIM**  
The ornamental design for swing training aid, as shown and  
described.

**DESCRIPTION**  
FIG. 1 is a perspective view of the swing training aid,  
showing the new design;  
FIG. 2 is a front elevational view of the swing training aid  
thereof, the undisclosed rear elevation is a mirror image;  
FIG. 3 is a left side elevational view of the swing training aid  
thereof, the undisclosed right side elevation is a mirror  
image;  
FIG. 4 is a top plan view of the swing training aid thereof;  
and,  
FIG. 5 is a bottom plan view of the swing training aid  
thereof.  
The middle portion of the swing training aid shown broken  
away indicates indeterminate length and forms no part of the  
claimed design.

**1 Claim, 3 Drawing Sheets**



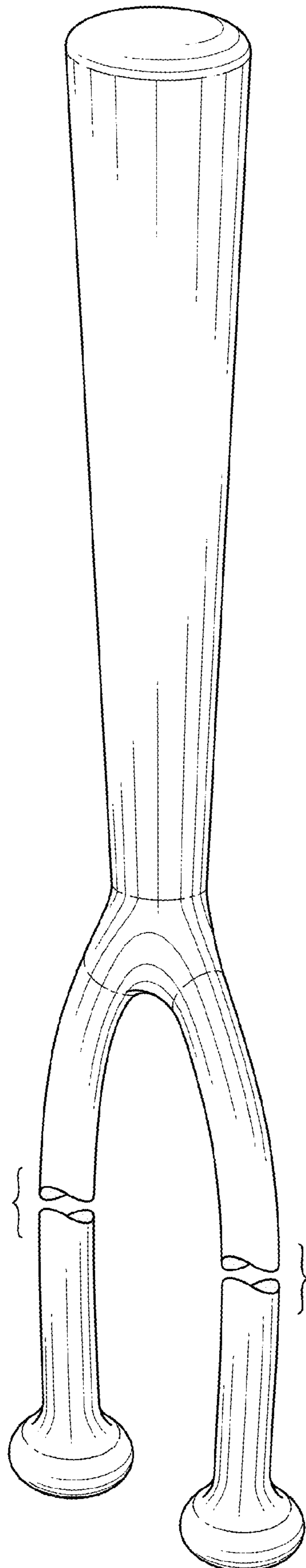


FIG. 1

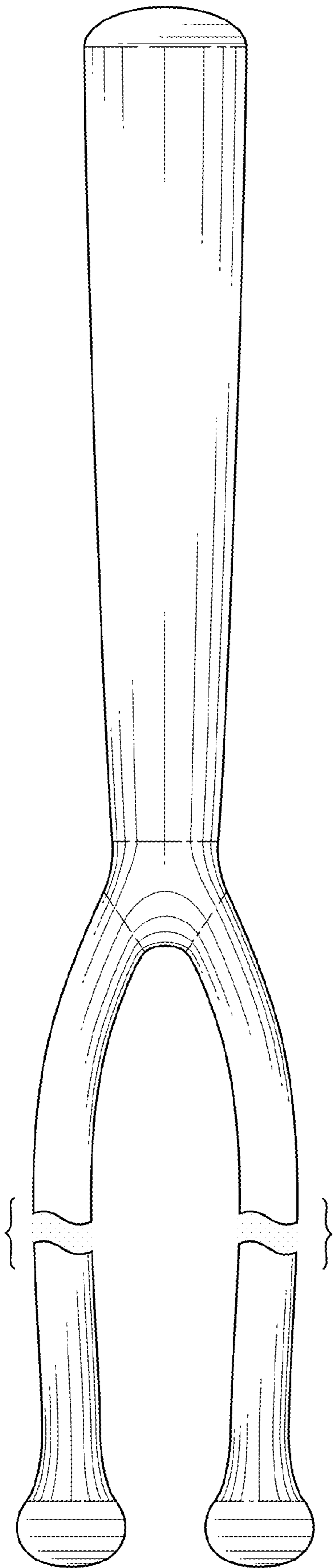


FIG. 2

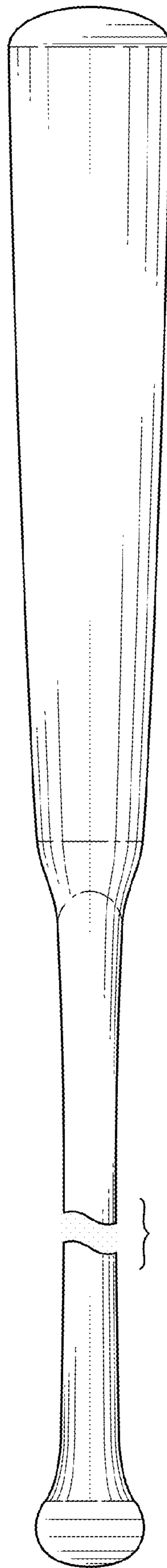


FIG. 3

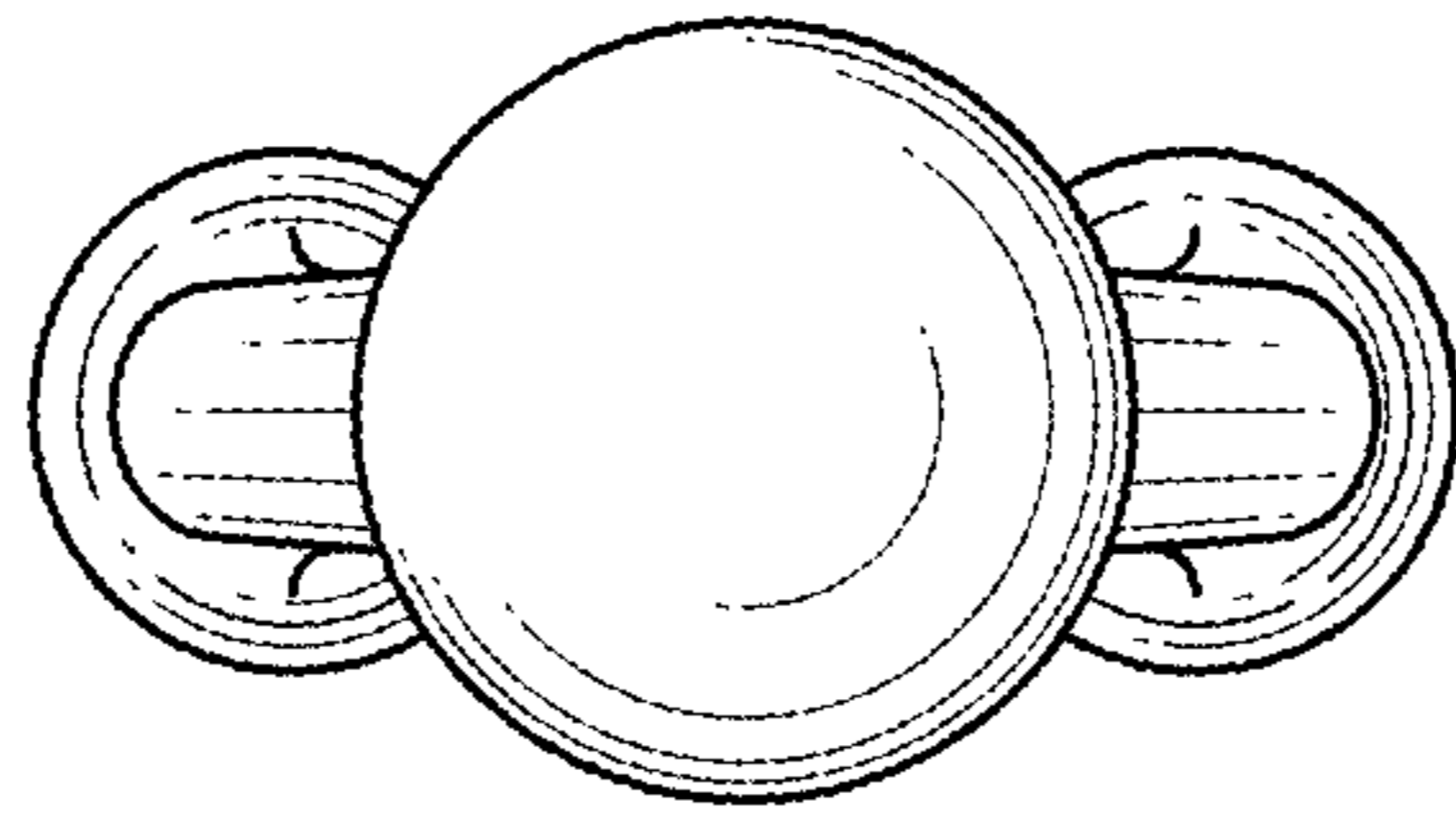


FIG. 4

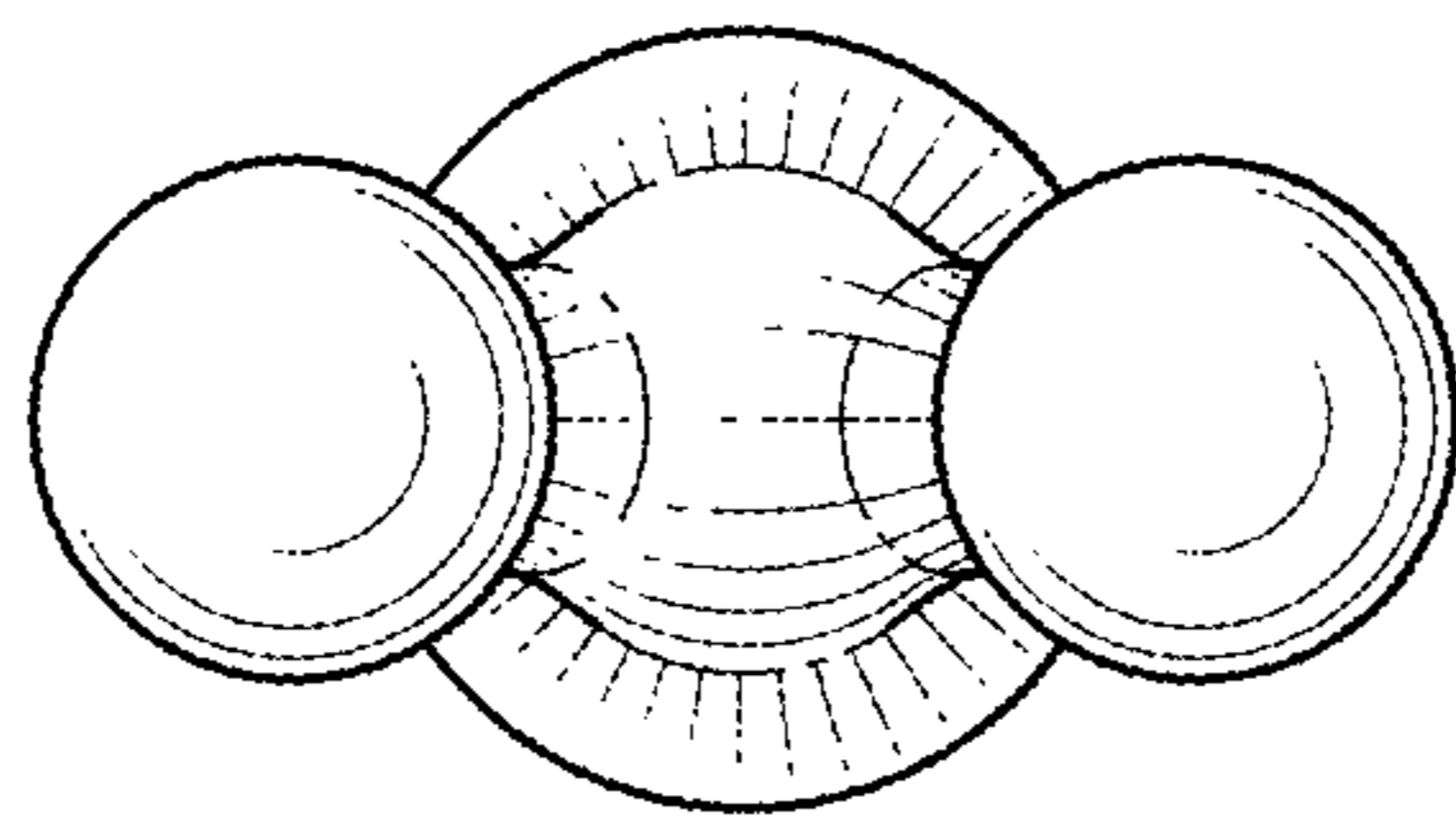


FIG. 5