



US00D930765S

(12) **United States Design Patent**
Ehtesham

(10) **Patent No.:** **US D930,765 S**

(45) **Date of Patent:** **** Sep. 14, 2021**

- (54) **WRIST EXERCISER**
- (71) Applicant: **Mussayab Ehtesham**, Windsor (CA)
- (72) Inventor: **Mussayab Ehtesham**, Windsor (CA)
- (**) Term: **15 Years**
- (21) Appl. No.: **29/753,844**
- (22) Filed: **Oct. 2, 2020**
- (51) **LOC (13) Cl.** **21-02**
- (52) **U.S. Cl.**
USPC **D21/684**
- (58) **Field of Classification Search**
USPC D21/468, 679, 684, 685, 692, 693, 694,
D21/798, 714, 713, 709, 681, 680, 677,
D21/662; D10/84; 482/93, 91, 50, 49,
482/46, 45, 44, 128, 127, 126, 122, 121
CPC A63B 21/4035; A63B 23/16; A63B 23/14;
A63B 21/00069; A63B 21/0004; A63B
21/023; G09B 15/06
See application file for complete search history.

- 5,312,309 A * 5/1994 Fox A63B 21/0004
482/120
- 5,380,261 A * 1/1995 Mora A63B 21/153
482/109
- D378,386 S * 3/1997 Brubaker D21/680
- D403,384 S * 12/1998 Clark D21/684
- 5,873,805 A * 2/1999 Ayres A63B 23/03508
482/125
- 6,099,437 A * 8/2000 DeMers A63B 23/14
482/46
- 6,234,934 B1 * 5/2001 Gorczyca A63B 21/0609
482/108
- D636,037 S 4/2011 Chuang
- 8,157,709 B2 4/2012 Wilkinson
(Continued)

OTHER PUBLICATIONS

Forearm Wrist Strengtheners & Exercisers by DMOOSE dated Mar. 12, 2020. Found online [Jul. 26, 2021 <https://www.dmoose.com/products/wrist-exerciser-forearm-twister>].*

Primary Examiner — Ryan Harvey
(74) *Attorney, Agent, or Firm* — Mitchell Law PLLC;
Matthew W. Mitchell

(56) **References Cited**

U.S. PATENT DOCUMENTS

- 2,475,656 A * 7/1949 Bidak A63B 21/06
482/46
- 3,068,002 A * 12/1962 Balne A63B 21/018
482/91
- 3,806,121 A * 4/1974 Crossley A63B 23/14
273/335
- 3,982,755 A * 9/1976 Sarich A63B 23/14
482/93
- 4,438,920 A * 3/1984 Veillette A63B 23/14
482/46
- 4,651,985 A * 3/1987 Salisbury A63B 21/00043
482/122
- 5,037,087 A * 8/1991 Roth A63B 21/153
482/93
- D328,113 S 7/1992 Wilkinson
- D341,403 S 11/1993 Wilkinson

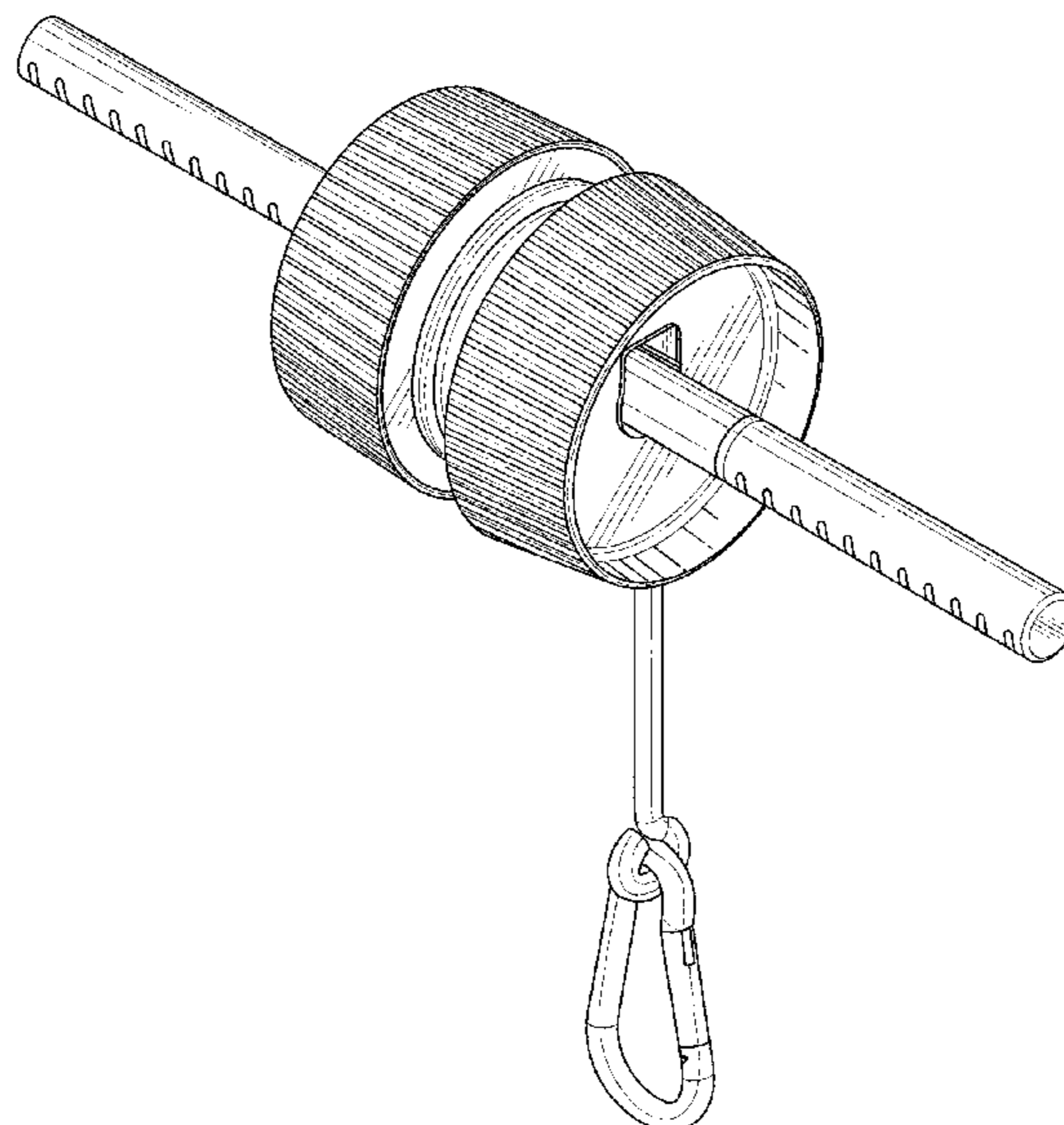
(57) **CLAIM**

The ornamental design for a wrist exerciser, as shown.

DESCRIPTION

FIG. 1 is a front, right-side perspective view of the wrist exerciser of the present invention;
FIG. 2 is rear, left-side perspective view thereof;
FIG. 3 is a front view thereof;
FIG. 4 is a rear view thereof;
FIG. 5 is a left-side view thereof;
FIG. 6 is a right side view thereof;
FIG. 7 is a top plan view thereof;
FIG. 8 is a bottom plan view thereof; and,
FIG. 9 another front, right-side perspective view thereof.

1 Claim, 9 Drawing Sheets



(56)

References Cited

U.S. PATENT DOCUMENTS

D695,369	S	12/2013	Bennett	
10,843,033	B1	11/2020	Sotis	
2002/0137599	A1	9/2002	Kuo	
2003/0220174	A1*	11/2003	Lear, Jr.	A63B 21/153 482/93
2004/0082442	A1	4/2004	Beedy	
2007/0167298	A1	7/2007	Bystrom	
2012/0035024	A1	2/2012	Price	
2019/0336387	A1	11/2019	Daley	

* cited by examiner

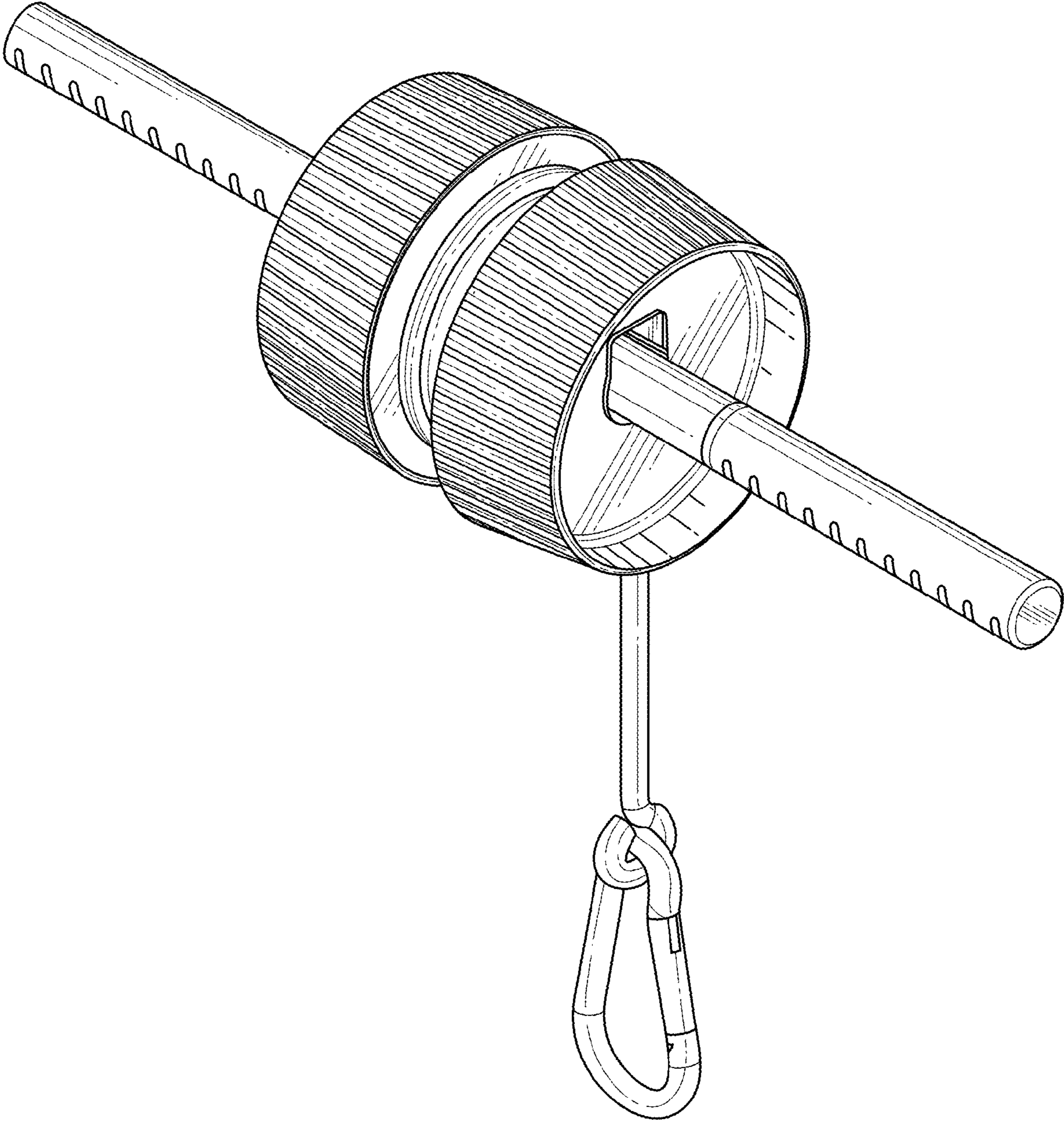


FIG. 1

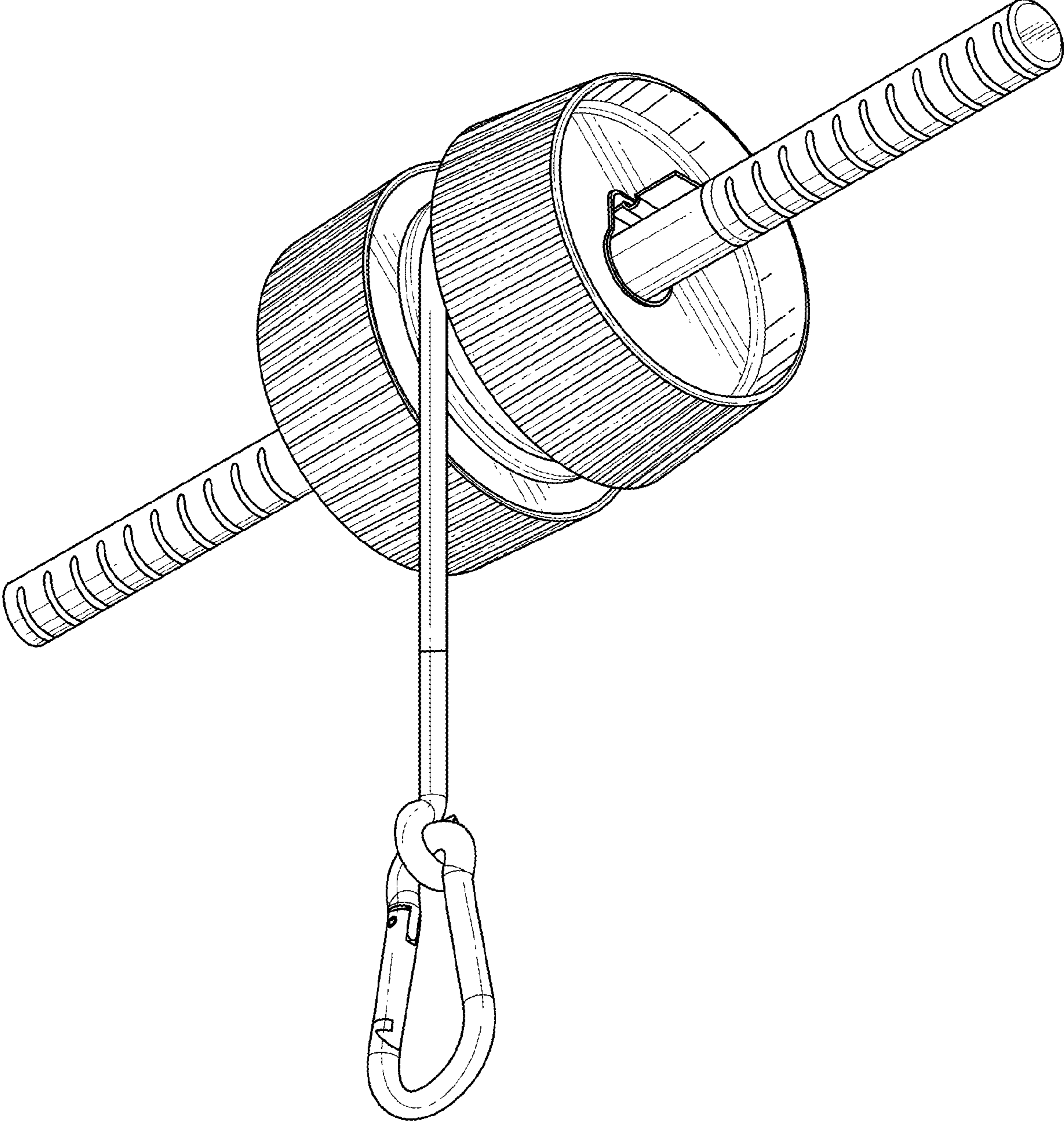


FIG. 2

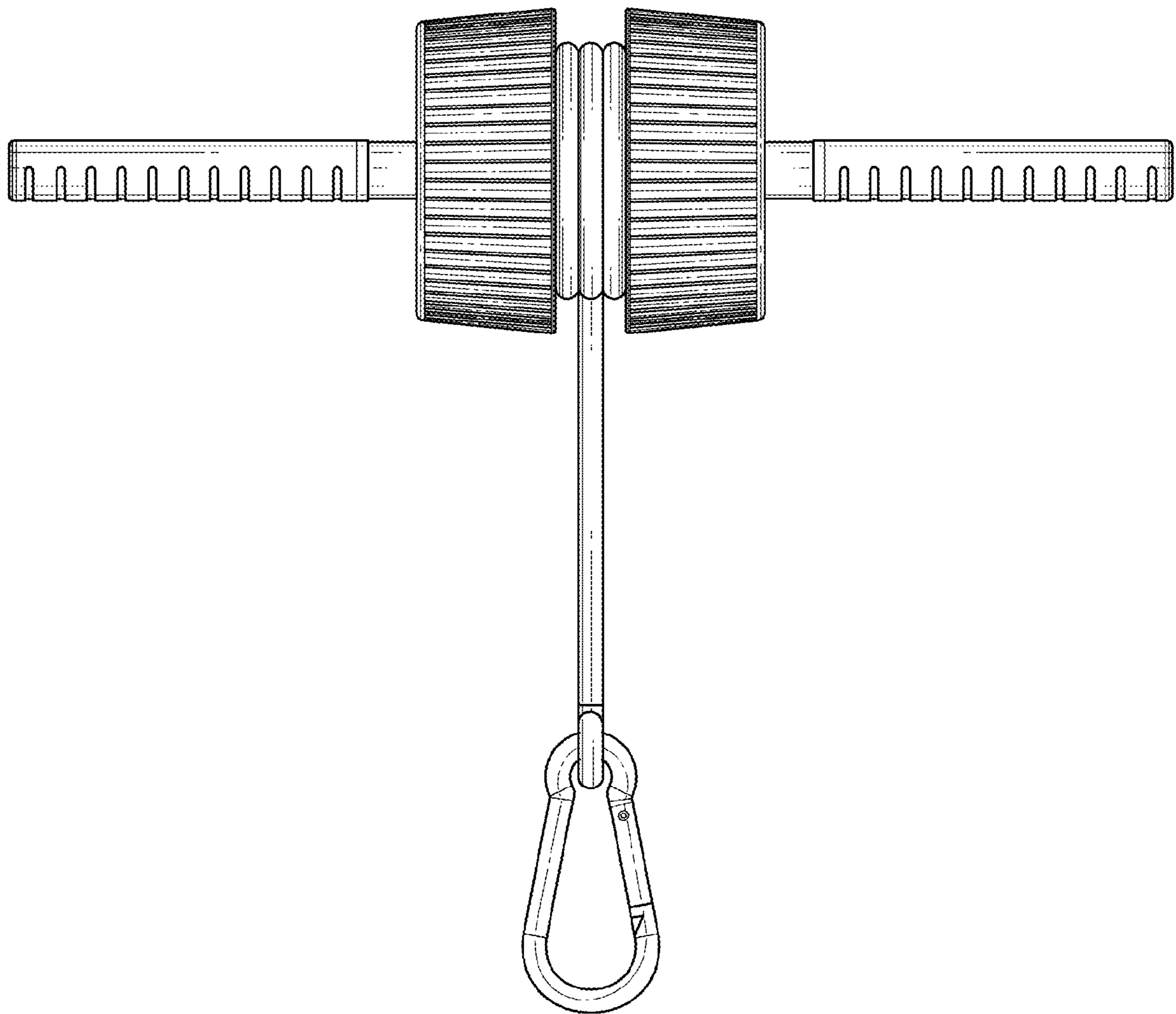


FIG. 3

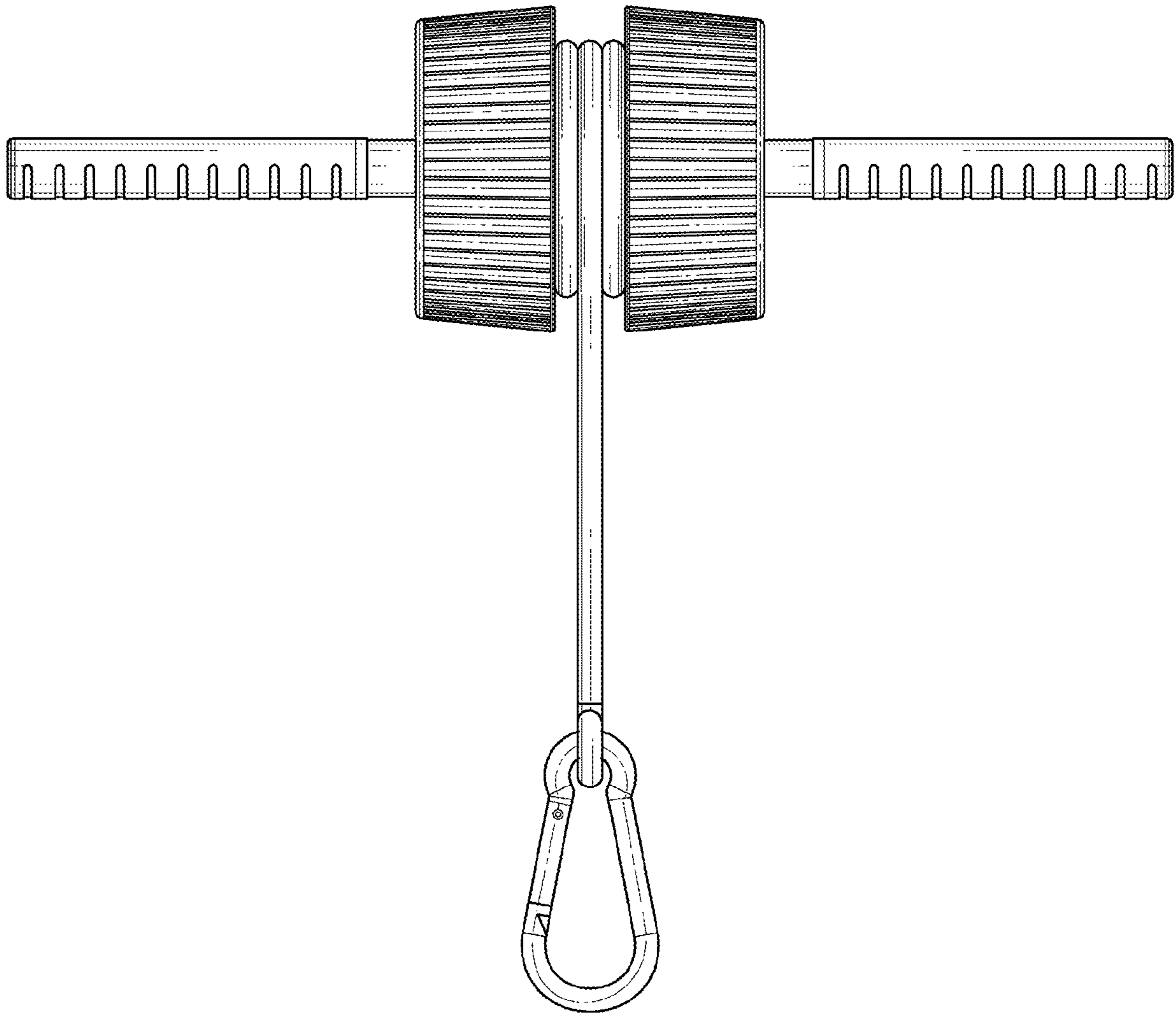


FIG. 4

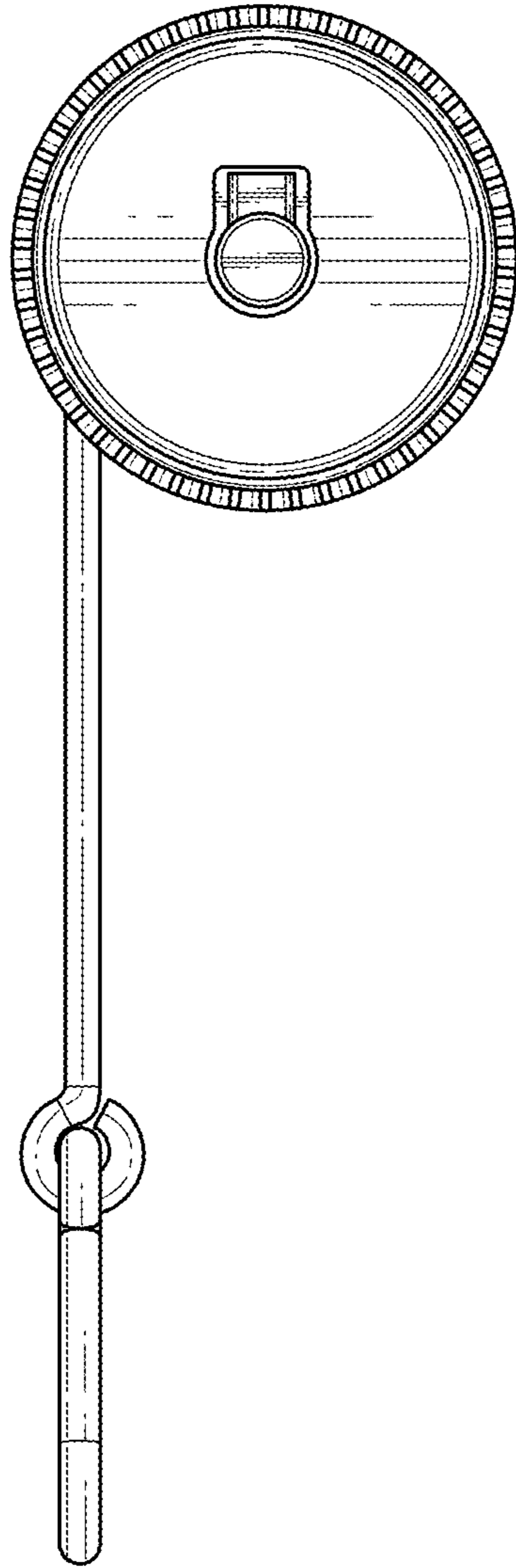


FIG. 5

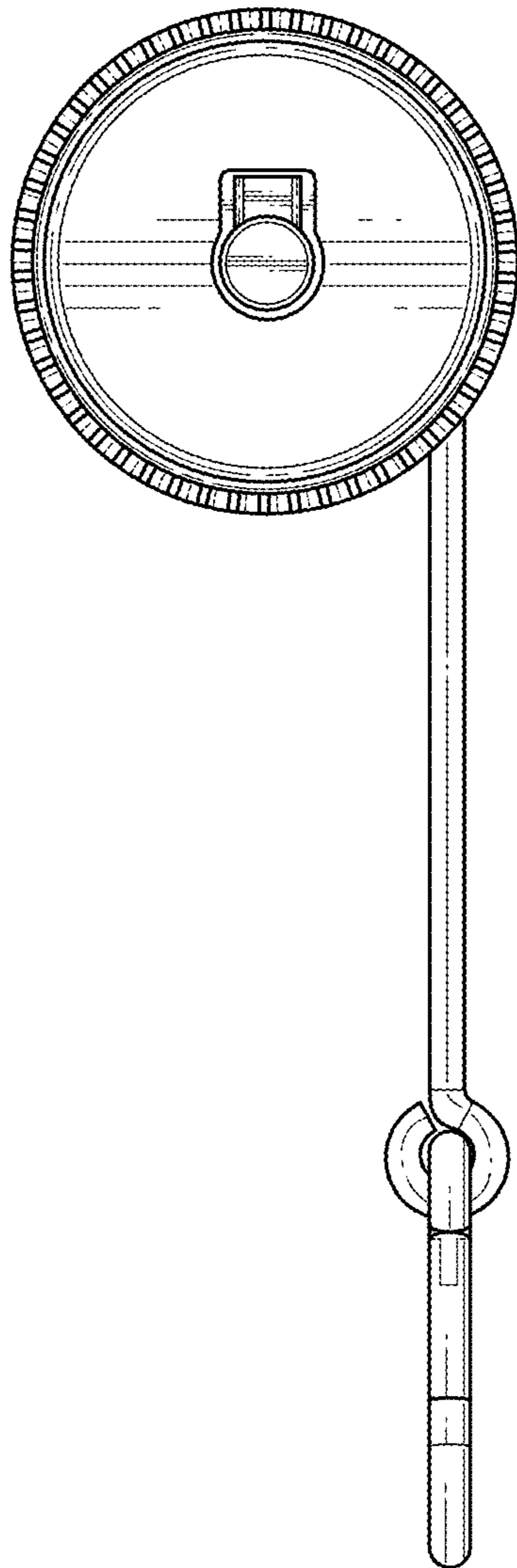


FIG. 6

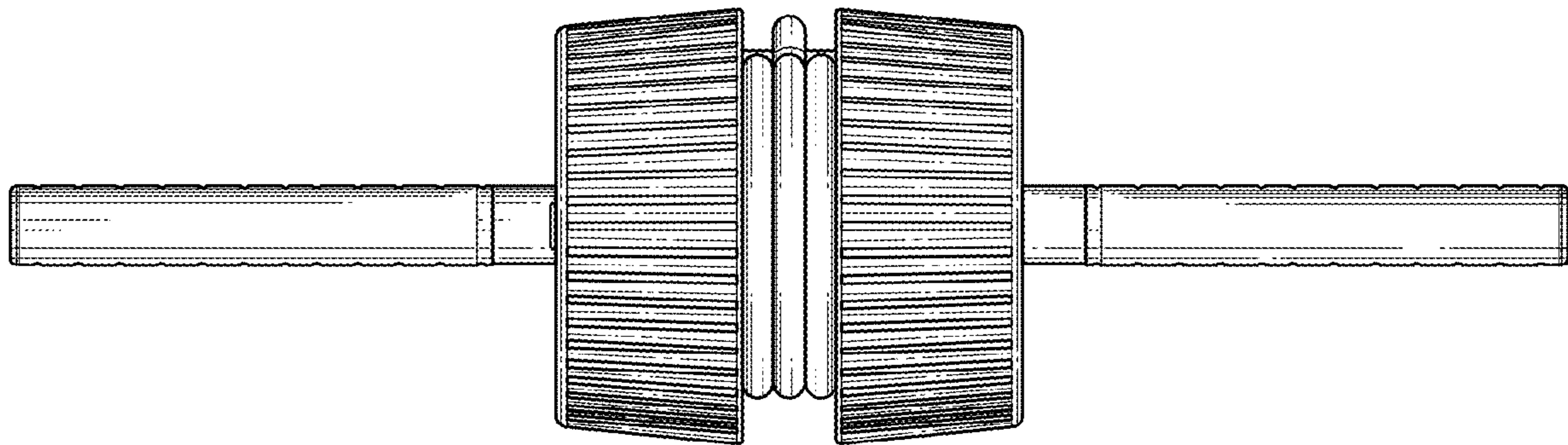


FIG. 7

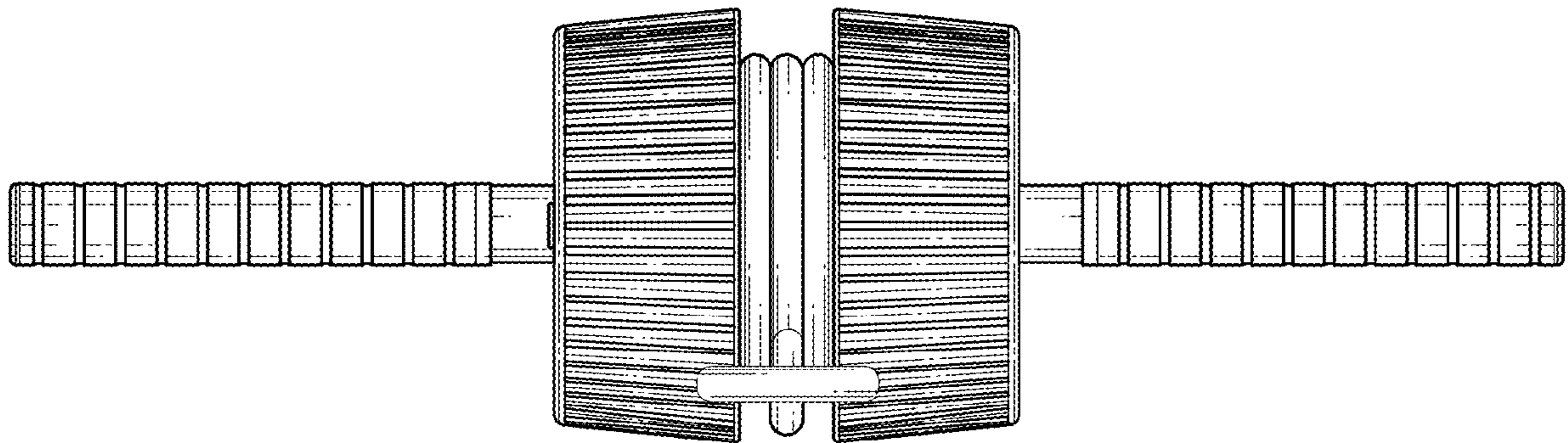


FIG. 8

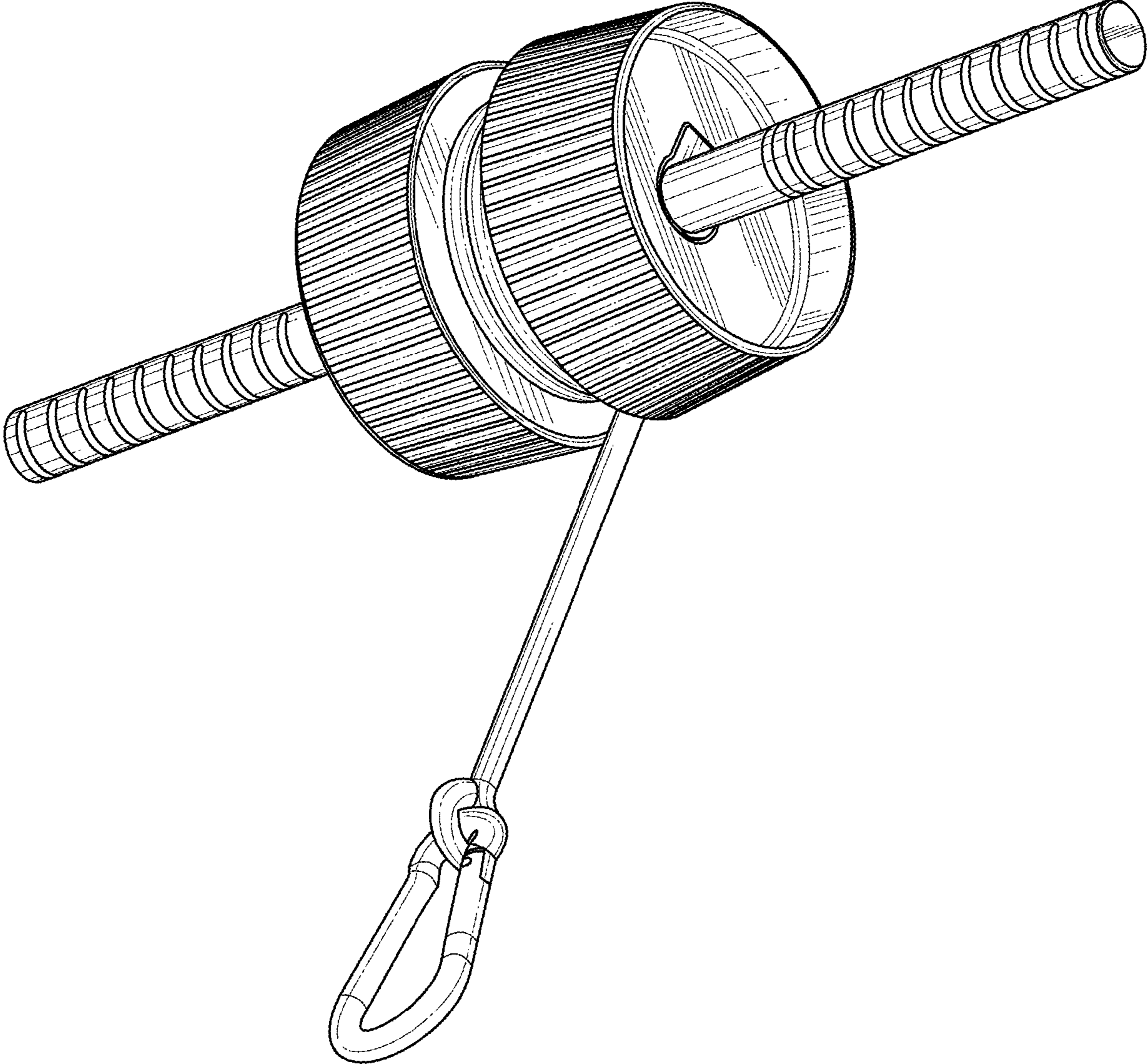


FIG. 9