



US00D930764S

(12) **United States Design Patent** (10) **Patent No.:** **US D930,764 S**
Jones (45) **Date of Patent:** **** Sep. 14, 2021**

(54) **WEIGHT PLATE**

446,559 A 2/1891 Lincir
448,055 A 3/1891 Lien et al.
451,158 A 4/1891 Lincir
(Continued)

(71) Applicant: **Coulter Ventures, LLC.**, Columbus, OH (US)

(72) Inventor: **Dylan Jones**, Santa Barbara, CA (US)

FOREIGN PATENT DOCUMENTS

(73) Assignee: **Coulter Ventures, LLC.**, Columbus, OH (US)

CN 3191234 6/2001
CN 2512467 Y 9/2002
(Continued)

(**) Term: **15 Years**

OTHER PUBLICATIONS

(21) Appl. No.: **29/692,131**

Cap barbell , announced 2015 [online] [site visited Dec. 23, 2020]. Available from internet, URL: https://www.amazon.com/CAP-Barbell-Olympic-Sided-Single/dp/B00XP89NUW/ref=sr_1_67?dchild=1&keywords=OLYMPIC+WEIGHT+PLATE&qid=1608756281&sr=8-67 (Year: 2015).*

(22) Filed: **May 22, 2019**

(51) **LOC (13) Cl.** **21-02**

(52) **U.S. Cl.** **D21/680**
USPC

(58) **Field of Classification Search**
USPC D21/662, 682, 686, 694, 680, 681, 684, D21/679, 678
CPC A63B 21/072; A63B 23/12; A63B 21/06; A63B 21/0601
See application file for complete search history.

(Continued)

Primary Examiner — Khawaja Anwar
Assistant Examiner — Julice Seung Eun Oum
(74) *Attorney, Agent, or Firm* — Banner & Witcoff, Ltd.

(57) **CLAIM**

The ornamental design for a weight plate, as shown and described.

(56) **References Cited**

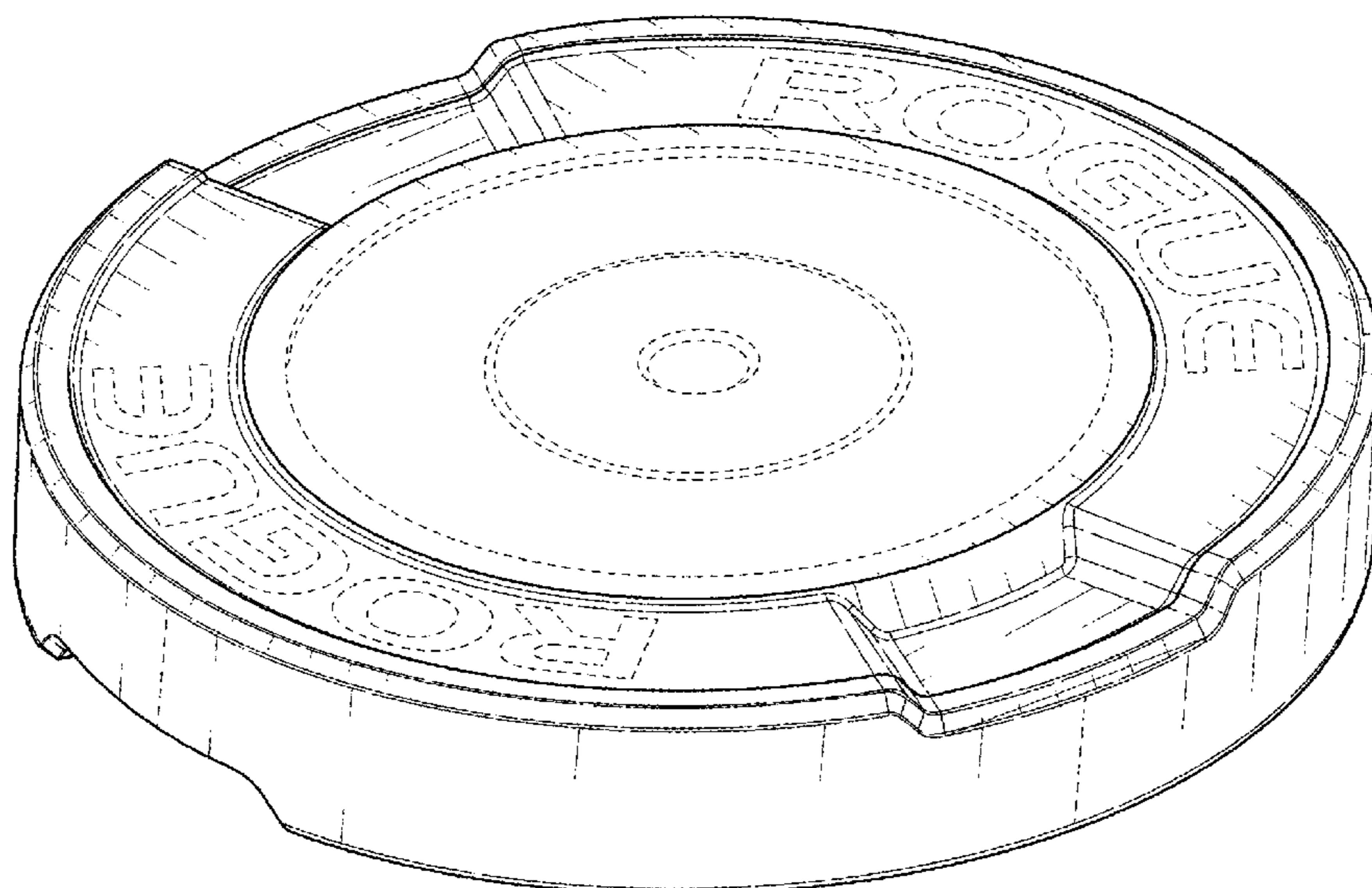
DESCRIPTION

U.S. PATENT DOCUMENTS

354,322 A 12/1886 Vodhanel, Jr.
421,076 A 2/1890 Lincir
424,140 A 3/1890 Lincir
424,639 A 4/1890 Rojas et al.
428,947 A 5/1890 Harms et al.
433,468 A 8/1890 Rojas et al.
433,720 A 8/1890 Rojas et al.
433,721 A 8/1890 Rojas et al.
434,090 A 8/1890 Wallace et al.
439,290 A 10/1890 Rojas et al.
441,812 A 12/1890 Rojas et al.
442,240 A 12/1890 Rojas et al.
445,153 A 1/1891 Lincir
445,154 A 1/1891 Lincir
445,854 A 2/1891 Harms et al.

FIG. 1 is a bottom, front, left perspective view of a weight plate showing my new design;
FIG. 2 is a right side view thereof;
FIG. 3 is a left side view thereof;
FIG. 4 is a top view thereof;
FIG. 5 is a bottom view thereof;
FIG. 6 is a front view thereof; and,
FIG. 7 is a rear view thereof.
The broken lines depicting the remainder of the weight plate show features that form no part of the claimed design. The broken lines showing lettering form no part of the claimed design.

1 Claim, 5 Drawing Sheets



(56)

References Cited

U.S. PATENT DOCUMENTS

451,159 A 4/1891 Rojas et al.
 463,001 A 11/1891 Buchanan
 476,383 A 6/1892 Chen
 483,083 A 9/1892 Allshouse et al.
 502,514 A 8/1893 Buchanan et al.
 516,639 A 3/1894 Hamilton
 562,415 A 6/1896 Xu et al.
 562,919 A 6/1896 Hillson
 566,209 A 8/1896 Alessandri et al.
 572,320 A 12/1896 Davies, III
 615,605 A 12/1898 Frasco et al.
 639,874 A 12/1899 Hillson
 643,075 A 2/1900 Childs
 673,230 A 4/1901 Qin
 684,224 A 10/1901 Davies, III
 749,177 A 1/1904 Childs
 751,157 A 2/1904 Irwin et al.
 D279,495 S 7/1985 Barbeau
 4,738,446 A 4/1988 Miles
 5,137,502 A 8/1992 Anastasi
 6,014,078 A 1/2000 Rojas et al.
 D421,076 S * 2/2000 Lincir D21/681
 D428,947 S 8/2000 Harms et al.
 D433,469 S * 11/2000 Rojas D21/680
 D433,720 S * 11/2000 Rojas D21/680
 D442,654 S 5/2001 Buchanan
 D445,854 S 7/2001 Harms et al.
 D446,559 S * 8/2001 Lincir D21/680
 D450,361 S 11/2001 Harms et al.
 6,319,176 B1 * 11/2001 Landfair A63B 21/06
 482/106
 D454,167 S 3/2002 Lincir
 6,436,015 B1 8/2002 Frasco et al.
 D474,517 S 5/2003 Harms
 D476,383 S 6/2003 Chen
 D483,083 S 12/2003 Allshouse et al.
 6,736,765 B2 5/2004 Wallace et al.
 6,746,380 B2 6/2004 Lien et al.
 D504,923 S 5/2005 Harms et al.
 6,991,590 B2 1/2006 Vigiano
 D516,639 S * 3/2006 Hamilton D21/681
 7,198,591 B2 4/2007 Lien
 7,207,929 B2 4/2007 Hamilton
 7,300,389 B2 11/2007 Lien et al.
 D562,919 S * 2/2008 Hillson D21/680
 D566,209 S * 4/2008 Alessandri D21/681
 D573,208 S 7/2008 Davies, III
 7,517,305 B2 4/2009 Lien
 D609,526 S 2/2010 Tuttle
 7,704,196 B2 4/2010 Lien et al.
 7,828,702 B2 11/2010 Lien et al.
 D639,874 S 6/2011 Hillson
 D660,928 S 5/2012 Guarrasi
 D673,230 S 12/2012 Qin
 D684,224 S * 6/2013 Davies, III D21/681
 D692,969 S 11/2013 Davies, III
 D695,128 S 12/2013 Ozsinmaz
 D732,613 S 6/2015 Davies, III
 D749,177 S 2/2016 Childs
 D751,157 S 3/2016 Irwin et al.
 9,358,414 B2 * 6/2016 Dephouse A63B 21/0608
 D771,205 S 11/2016 Davies, III
 D777,266 S 1/2017 Davies, III
 9,682,268 B2 6/2017 Breitreutz et al.
 D802,689 S 11/2017 Lien
 10,040,259 B2 8/2018 Lister et al.
 D831,134 S 10/2018 Hillson
 D842,399 S 3/2019 Arceta
 D842,941 S * 3/2019 Brezovar D21/680
 D851,711 S * 6/2019 Brezovar D21/680
 D852,637 S 7/2019 Becerra
 D854,636 S 7/2019 Nelson
 D896,901 S * 9/2020 Jones D21/681
 2002/0091044 A1 * 7/2002 Lien A63B 21/072
 482/106

2003/0083179 A1 5/2003 Landfair
 2004/0077466 A1 4/2004 Wallace et al.
 2004/0092370 A1 * 5/2004 Lincir A63B 21/072
 482/107
 2004/0166997 A1 * 8/2004 Vigiano A63B 21/06
 482/93
 2005/0026754 A1 2/2005 Lien et al.
 2006/0073948 A1 4/2006 Lincir
 2006/0211547 A1 9/2006 Lien
 2006/0240958 A1 * 10/2006 Liu A63B 21/075
 482/107
 2006/0293155 A1 12/2006 Hamilton
 2007/0027007 A1 2/2007 Frasco
 2007/0135271 A1 6/2007 Lien et al.
 2007/0142188 A1 6/2007 Lien
 2007/0184943 A1 8/2007 Davies
 2008/0153678 A1 6/2008 McClusky
 2009/0048079 A1 2/2009 Nalley
 2009/0258766 A1 10/2009 Patti
 2012/0094810 A1 4/2012 Anderson
 2014/0024504 A1 1/2014 Potts et al.
 2014/0057764 A1 * 2/2014 Klukas A63B 21/072
 482/109
 2015/0011369 A1 * 1/2015 Peritz A63B 21/4035
 482/142
 2016/0175640 A1 * 6/2016 Kempton A63B 21/0728
 482/107
 2017/0149269 A1 5/2017 Rojas et al.
 2018/0028857 A1 2/2018 Rothschild et al.
 2019/0232100 A1 8/2019 Rothschild
 2019/0299047 A1 * 10/2019 Nalley A63B 21/0728
 2019/0388723 A1 * 12/2019 Nalley A63B 21/0726
 2020/0360755 A1 11/2020 Rothschild
 2020/0376320 A1 * 12/2020 Wang A63B 21/0726

FOREIGN PATENT DOCUMENTS

CN 303340060 8/2015
 CN 303896560 10/2016
 CN 304438760 1/2018
 CN 305524546 12/2019
 EM 003110402-0001 7/2016
 EM 007065669-0001 10/2019
 ES 1038081 U 5/1998

OTHER PUBLICATIONS

Ader sporting goods Olympic plate, announced 2013 [online], [site visited Dec. 21, 2020]. Available from internet, URL: https://www.amazon.com/Olympic-Plate-Machine-Finished-Pair/dp/B00D4YOPR8/ref=sr_1_90?dchild=1&keywords=CAP%2BWEIGHT%2BPLATE&qid=1608582870&sr=8-90&th=1&psc=1 (Year: 2013).
 Cap barbell 45 lb gray olympic weight plate, announced 2017 [online], [site visited Dec. 21, 2020]. Available from internet, URL: https://www.amazon.com/CAP-Barbell-Olympic-Weight-Single/dp/B003070MZI/ref=sr_1_23?dchild=1&keywords=ROGUE+WEIGHT+PLATE&qid=1608582701&sr=8-23 (Year: 2017).
 Ignite by Spri Weight Plates: Published 2017[online], site visited Dec. 1, 2019. Available from Internet URL: https://www.amazon.com/dp/B001F1Y1G/ref=cm_sw_r_tw_dp_U_x_MSN7DbQ7T67HB (Year: 2017).
 Body Solid Rubber Grip Olympic Weight Plates (ORST255) Body-solid: Published Feb. 2, 2009, online, site visited Dec. 1, 2019. Available from Internet URL: https://www.amazon.com/dp/B001FIY17C/ref=cm_sw_r_tw_dp_U_x_MSN7DbQ7T67H8 (Year: 2009).
 Product listing for 2" Deep Dish Olympic Weight Plates, from <<https://yorkbarbell.com/product/deep-dish-olympic-plate/>>, dated Jul. 7, 2020.
 Product listing for Apollo Athletics Deep Dish Olympic Plates, from <https://www.showmeweights.com/apollo-athletics-deep-dish-olympic-plates.html>, dated Jul. 7, 2020.
 Photo of Olympic Standard Barbell Weight Plates, from https://www.picclicking.com/d/I400/pict/132810172419/_Olympic-Standard-Barbell-Vintage-Deep-Dish-Weight-Plates.jpg, dated Jul. 7, 2020.

(56)

References Cited

OTHER PUBLICATIONS

Product listing for 2" Hole Olympic Weights and Hampton Olympic Bars, from <<https://www.google.com/url?sa=i&url=http%3A%2F%2Fwww.shoppok.com%2Ftoledo%2Fa%2C39%2C138616%2C2-hole-Olympic-Weights-and-Hampton-Olympic-bars-Ypsilanti-mi-48197-.htm&psig=AOvVaw1beW0Nv1j4xti64WvSomVK&ust=1592656917597000&source=images&cd=vfe&ved=0CAIQjRxqFwoTCMDE38HzjeoCFQAAAAAdAAAAABAJ>>, dated Jul. 7, 2020.

Photo of York Olympic Standard Barbell Weight Plates, from <https://external-preview.redd.it/GeIL3ODNpQ8Rv7Xu1vfzNyPzFSSdljn9crrZ4i5T5-4.jpg?auto=webp&s=d87da24a6c3837e0e90f9c88b366c7781fb9f150>, dated Jul. 7, 2020.

A Guide to Buying Steel Powerlifting Plates & Discs, from <https://www.garage-gyms.com/steel-powerlifting-weight-plates-discs-guide-review/>, dated Nov. 16, 2017.

Photo of York Barbell Weight Plates, from [https://i.ebayimg.com/00/s/OTQzWDE2MDA=/z/FkEAAOSwi~deOkZf/\\$_3.JPG?set_id=8800005007](https://i.ebayimg.com/00/s/OTQzWDE2MDA=/z/FkEAAOSwi~deOkZf/$_3.JPG?set_id=8800005007), dated Jul. 7, 2020.

Photo of York Olympic Standard Barbell Weight Plate, from https://www.picclickimg.com/d/I400/pict/162970072869_/245-lbs-Vintage-Deep-Dish-York-made-in-USA-Olympic.jpg, dated Jul. 7, 2020.

Screen capture of Rogue Elephant Bar Deadlift—Full Live Stream | Arnold Strongman Classic 2020, from <https://www.youtube.com/watch?v=CuYsT9GeUmc&feature=emb_rel_pause>, dated Mar. 7, 2020.

Product listing for CAP 12-sided Olympic Rubber Coated Grip Plate from <<https://web.archive.org/web/20170621232634/http://capbarbell.com/cap-barbell-12-sided-2-rubber-grip-plate/>>, dated Jun. 21, 2017.

Product listing for Rogue 6-Shooter Urethane Olympic Grip Plates from <<https://web.archive.org/web/20170714033025/http://www.roguefitness.com:80/rogue-6-shooter-urethane-olympic-grip-plates/>>, dated Jul. 14, 2017.

CAP Barbell Weight Plates listing from <<https://web.archive.org/web/20180103173524/http://capbarbell.com/strength/weight-plates/>>, dated Jan. 3, 2018.

BodyRip Premium Pro (2x10kg) Olympic-Grip Rubber Plates: Published Mar. 24, 2014 [online], site visited Dec. 1, 2019, Available from Internet URL: https://www.amazon.co.uk/dp/B00J7S8ZGC/ref=cm_sw_r_tw_dp_U_x_Xof5DbXRFZ5AC (Year: 2014).

Viavito Tri Grip Vinyl Standard Weight Plates: Published Mar. 17, 2016 [online], site visited Dec. 1, 2019. Available from Internet URL: https://www.amazon.co.uk/dp/B01D3U5RXI/ref=cm_sw_r_tw_dp_U_x_epf5Db1B78TVQ (Year: 2016).

Bodypower 10kg Tri Grip Vinyl Standard (1 Inch) Weight Disc Plates: Published Jun. 10, 2013 [online], site visited Dec. 1, 2019. Available from Internet URL: https://www.amazon.co.uk/dp/B00E4WH2NS/ref=cm_sw_r_tx_dp_U_x_Fpf5DbMHT60MN (Year: 2013).

BodyRip Olympic Polygonal Weight Plates: Published Feb. 3, 2015 [online], site visited Dec. 1, 2019. Available from Internet URL: https://www.amazon.co.uk/dp/B00T4GM5W2/ref=cm_sw_r_tw_dp_U_x_ASg5DbMR69J5P (Year: 2015).

BodyRip Polygonal Weight Plates 1x10kg BodyRip: Published Feb. 7, 2014 [online], site visited Dec. 1, 2019. Available from Internet URL: https://www.amazon.co.uk/dp/B00IARQAWW/ref=cm_sw_r_tw_dp_U_x_5lf5DbXR685AX (Year: 2014).

* cited by examiner

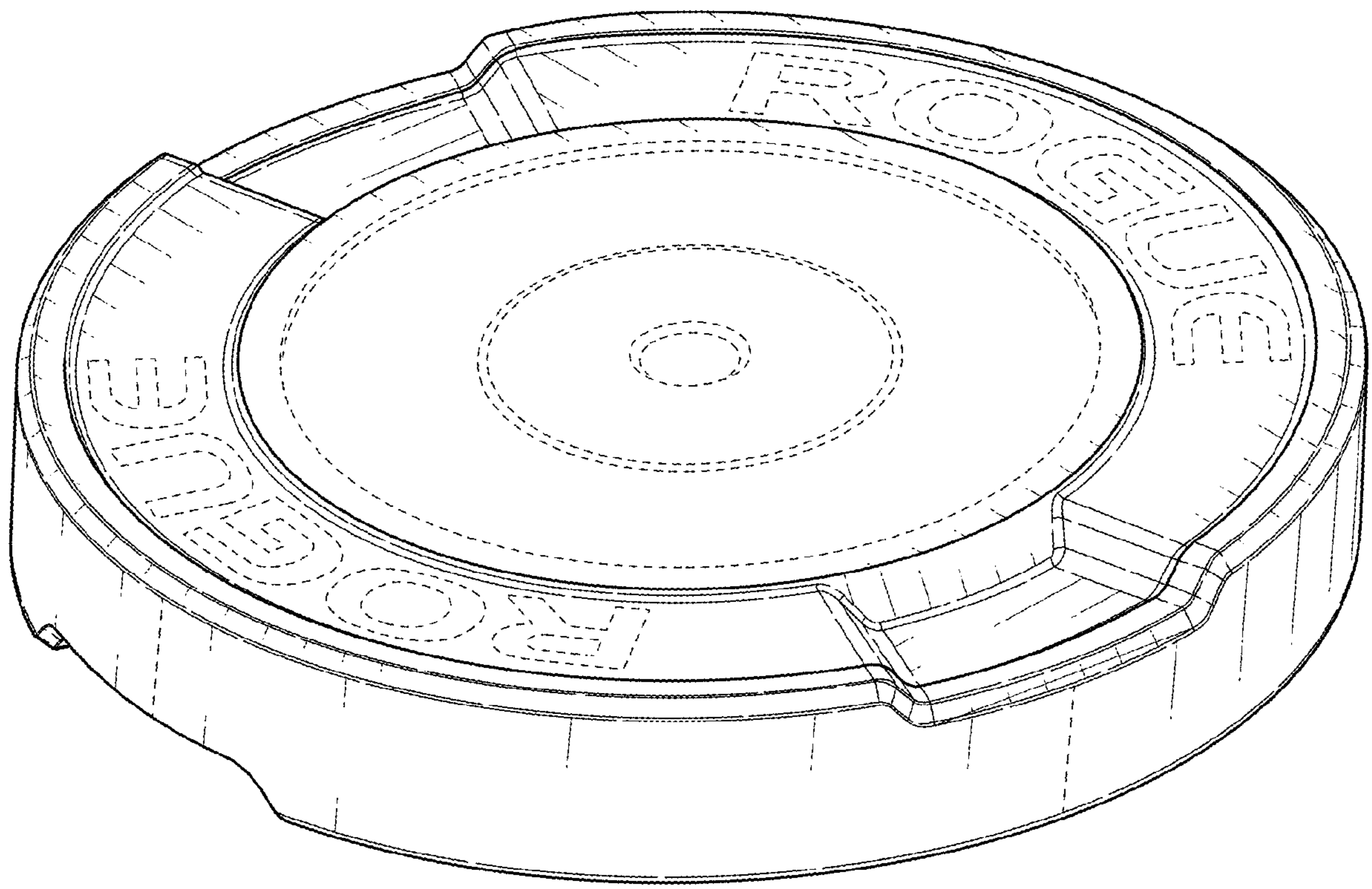


FIG. 1

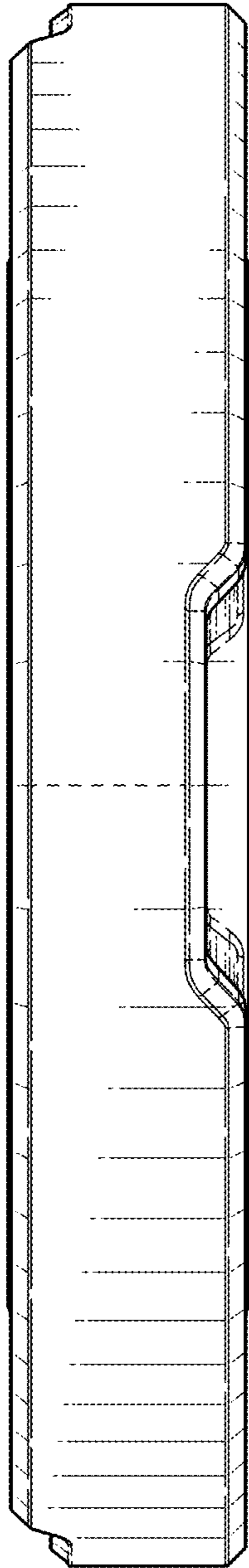


FIG. 2

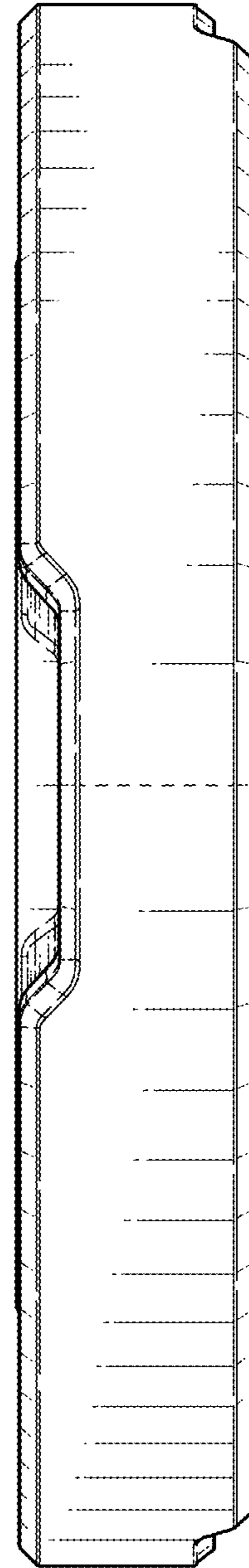


FIG. 3

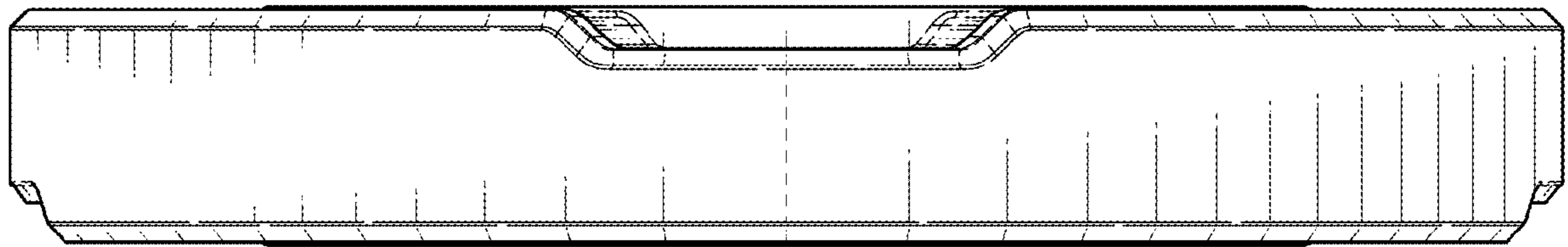


FIG. 4

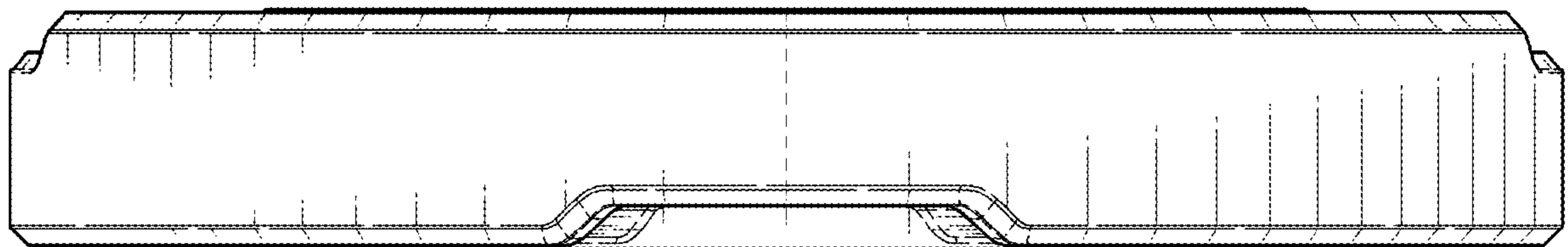


FIG. 5

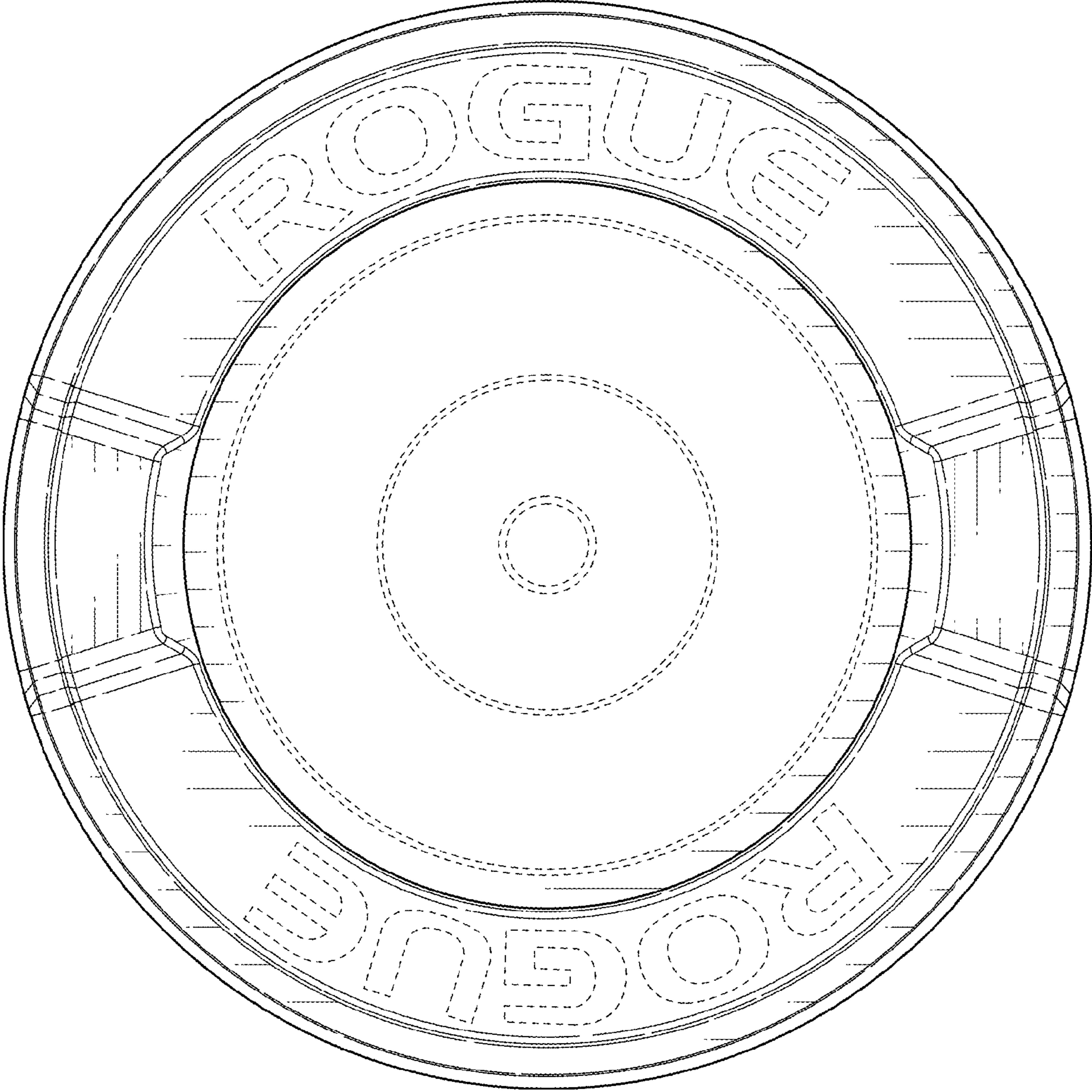


FIG. 6

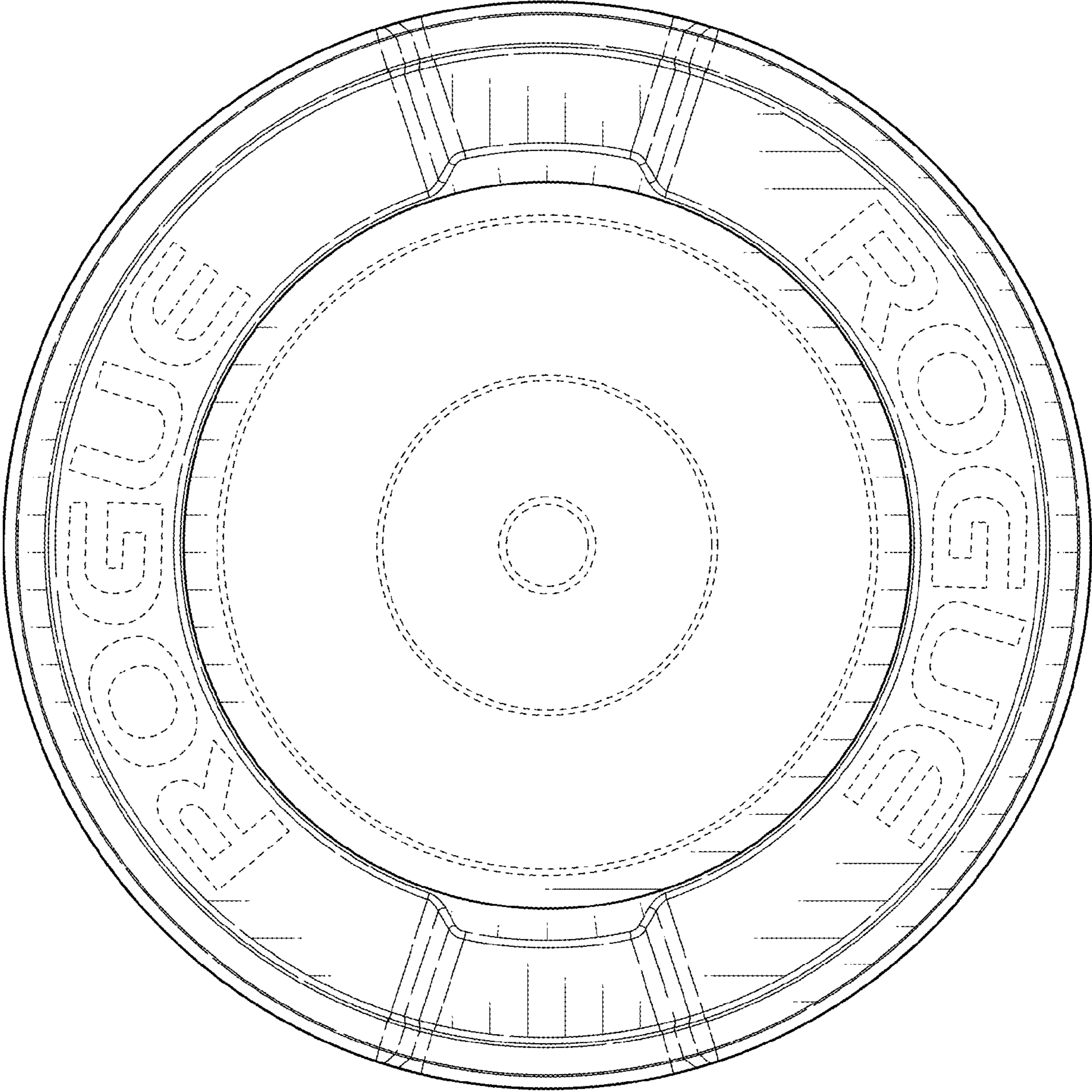


FIG. 7