



US00D930763S

(12) **United States Design Patent**
Smith, Jr.

(10) **Patent No.:** **US D930,763 S**
(45) **Date of Patent:** **** Sep. 14, 2021**

(54) **MULTI-POSITION HORIZONTAL ELLIPTICAL EXERCISE CYCLE**

(71) Applicant: **Alfred Sidney Smith, Jr.**, Sammamish, WA (US)

(72) Inventor: **Alfred Sidney Smith, Jr.**, Sammamish, WA (US)

(**) Term: **15 Years**

(21) Appl. No.: **29/662,937**

(22) Filed: **Sep. 10, 2018**

(51) **LOC (13) Cl.** **21-02**

(52) **U.S. Cl.**
USPC **D21/668**

(58) **Field of Classification Search**
USPC D21/663, 667, 666, 697, 694, 665, 668, D21/664, 690, 676, 670; 482/57, 62, 482/111, 139, 145, 60, 51, 123, 72, 61, 482/58, 9, 59, 80; 74/502.4, 502.6, 74/594.2, 594.1, 48; D12/178, 411, 345, D12/211, 209, 205; D23/382, 381, 378, D23/412, 411, 413, 377; D13/115; D15/7, 138, 5
CPC ... A63B 22/0605; A63B 21/225; A63B 69/16; A63B 21/015; A63B 2225/09; A63B 2022/0652
See application file for complete search history.

(56) **References Cited**
U.S. PATENT DOCUMENTS

5,178,593 A * 1/1993 Roberts A63B 23/03516 482/56

5,595,557 A * 1/1997 Lambert, Sr. A63B 22/001 482/57

5,807,212 A * 9/1998 Nelson A47C 7/62 482/60

6,007,462 A * 12/1999 Chen A63B 22/001 482/51

6,063,008 A * 5/2000 McBride A63B 22/001 482/52

6,902,515 B2 * 6/2005 Howell A63B 22/0012 482/57

6,908,416 B2 * 6/2005 Mercado A63B 21/00181 482/52

6,939,271 B1 * 9/2005 Whan-Tong A63B 22/001 482/52

7,097,592 B2 * 8/2006 Wang A63B 22/001 482/52

D599,863 S * 9/2009 Quijada D21/665

D757,189 S * 5/2016 Colburn D21/665

D819,148 S * 5/2018 Smith, Jr. D21/690

10,232,213 B1 * 3/2019 Smith, Jr. A63B 23/0405

D863,466 S * 10/2019 Campanaro D21/667

2005/0101463 A1 * 5/2005 Chen A63B 22/0012 482/142

2009/0069158 A1 * 3/2009 Hsu A63B 22/001 482/52

(Continued)

Primary Examiner — Ryan Harvey
(74) *Attorney, Agent, or Firm* — QuickPatents; Kevin Prince

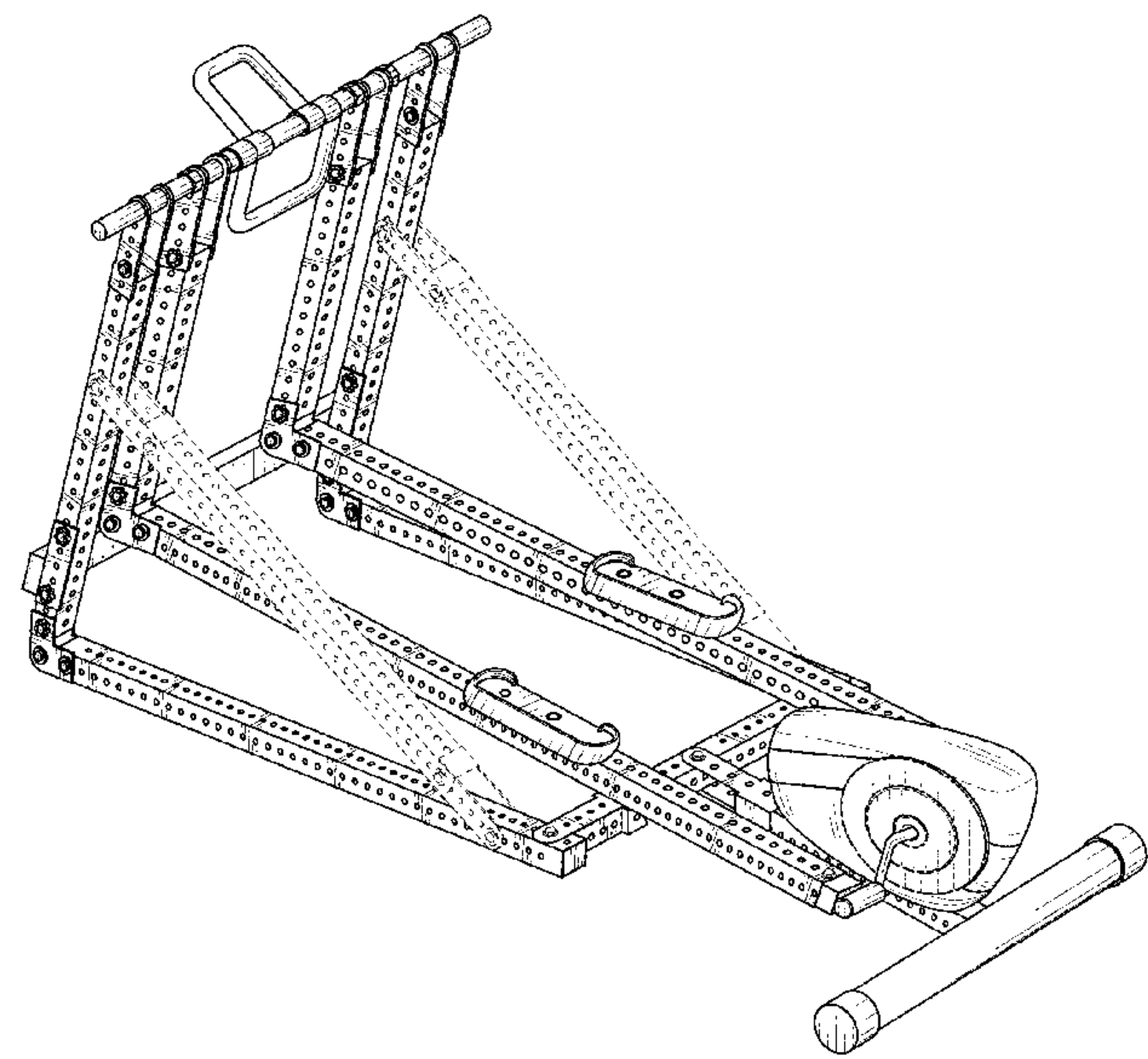
(57) **CLAIM**

I claim the ornamental design for a multi-position horizontal elliptical exercise cycle, as shown and described.

DESCRIPTION

FIG. 1 is a perspective view of a multi-position horizontal elliptical exercise cycle, showing my new design;
 FIG. 2 is a left-side elevational view thereof;
 FIG. 3 is a right-side elevational view thereof;
 FIG. 4 is a rear elevational view thereof;
 FIG. 5 is a front elevational view thereof;
 FIG. 6 is a top plan view thereof; and,
 FIG. 7 is a bottom plan view thereof.
 The broken lines in the figures depict portions of the exercise cycle that form no part of the claimed design.

1 Claim, 7 Drawing Sheets



(56)

References Cited

U.S. PATENT DOCUMENTS

2010/0267519 A1* 10/2010 Johnson, II A63B 24/0087
482/8
2012/0115685 A1* 5/2012 Bedell A63B 22/001
482/52
2014/0364281 A1* 12/2014 Moschel A63B 22/0012
482/80
2015/0335943 A1* 11/2015 Miller A63B 21/225
482/52
2017/0252603 A1* 9/2017 Wu A63B 21/159
2017/0319899 A1* 11/2017 Jhang A63B 22/0664
2018/0126220 A1* 5/2018 Palmer A63B 21/4049
2018/0207474 A1* 7/2018 Chen A63B 21/4049
2019/0299053 A1* 10/2019 Friedman A63B 21/225

* cited by examiner

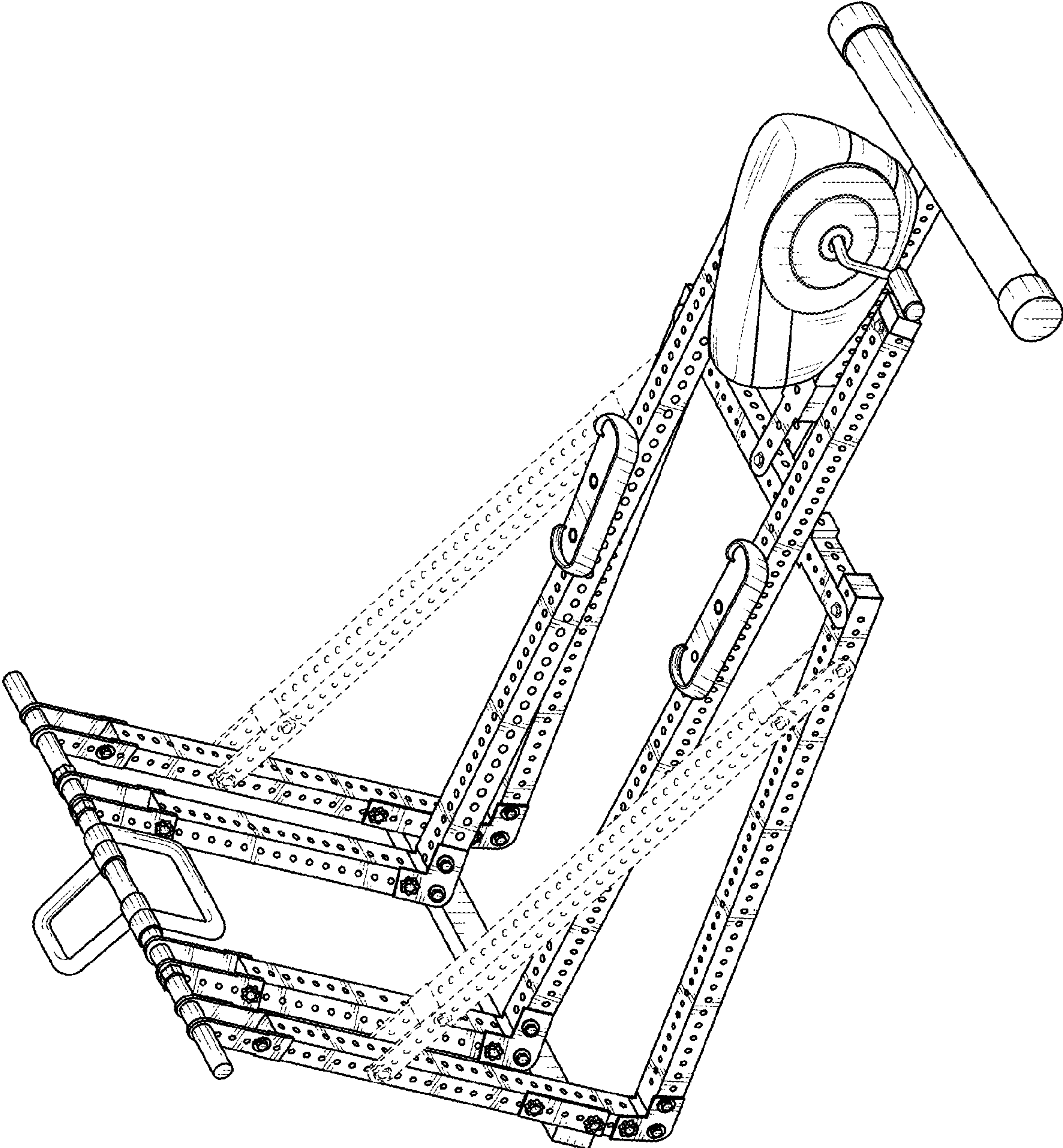


FIG. 1

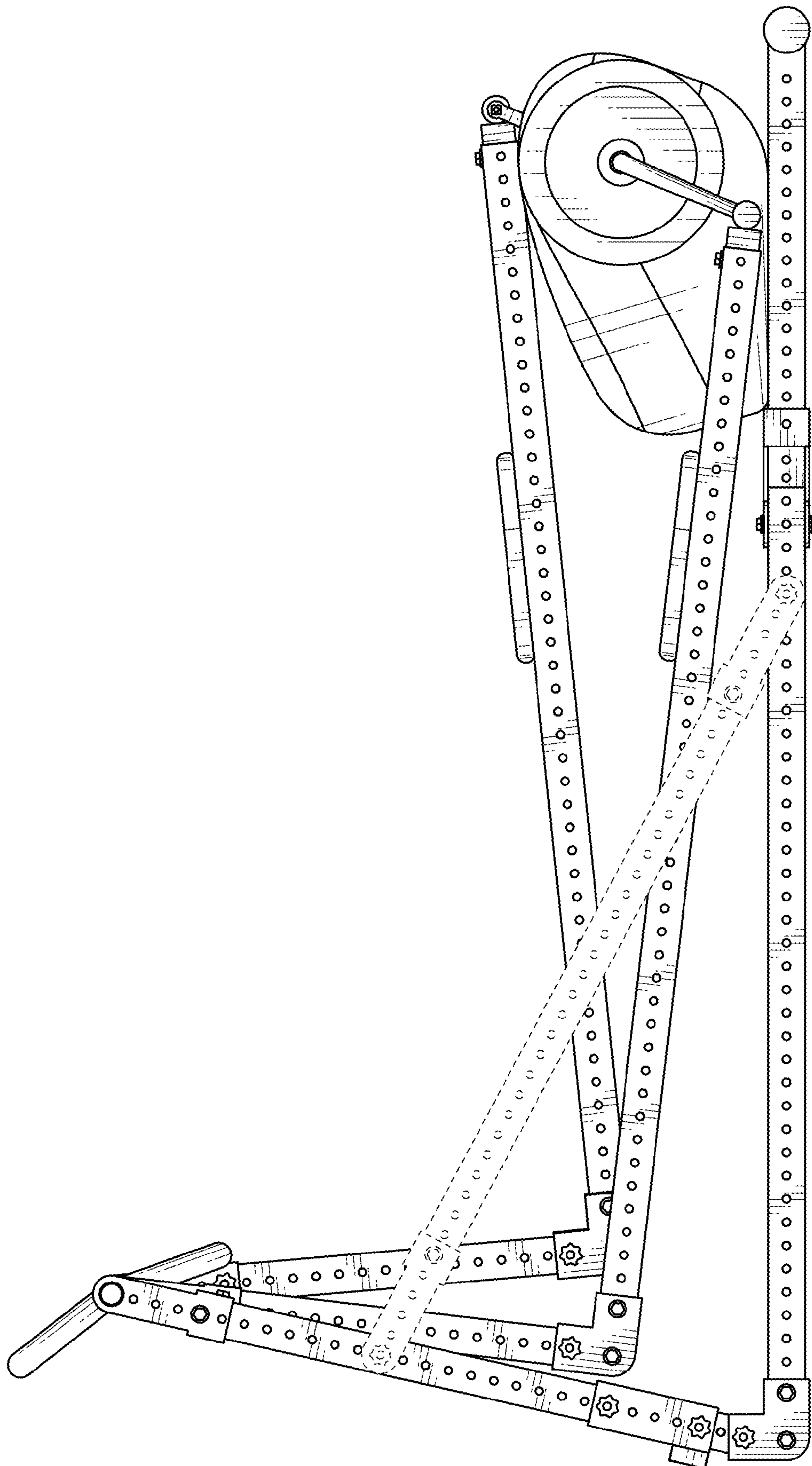


FIG. 2

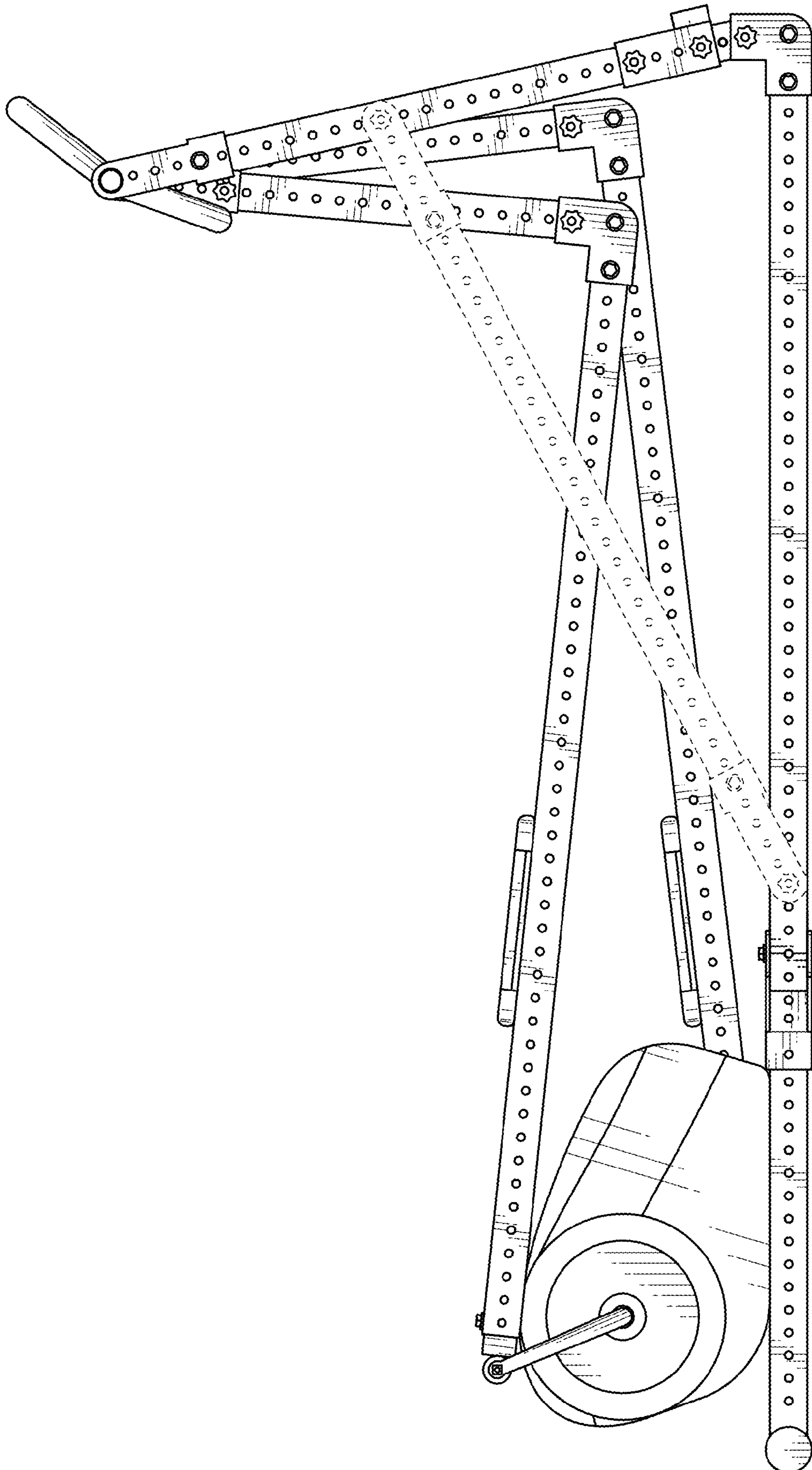


FIG. 3

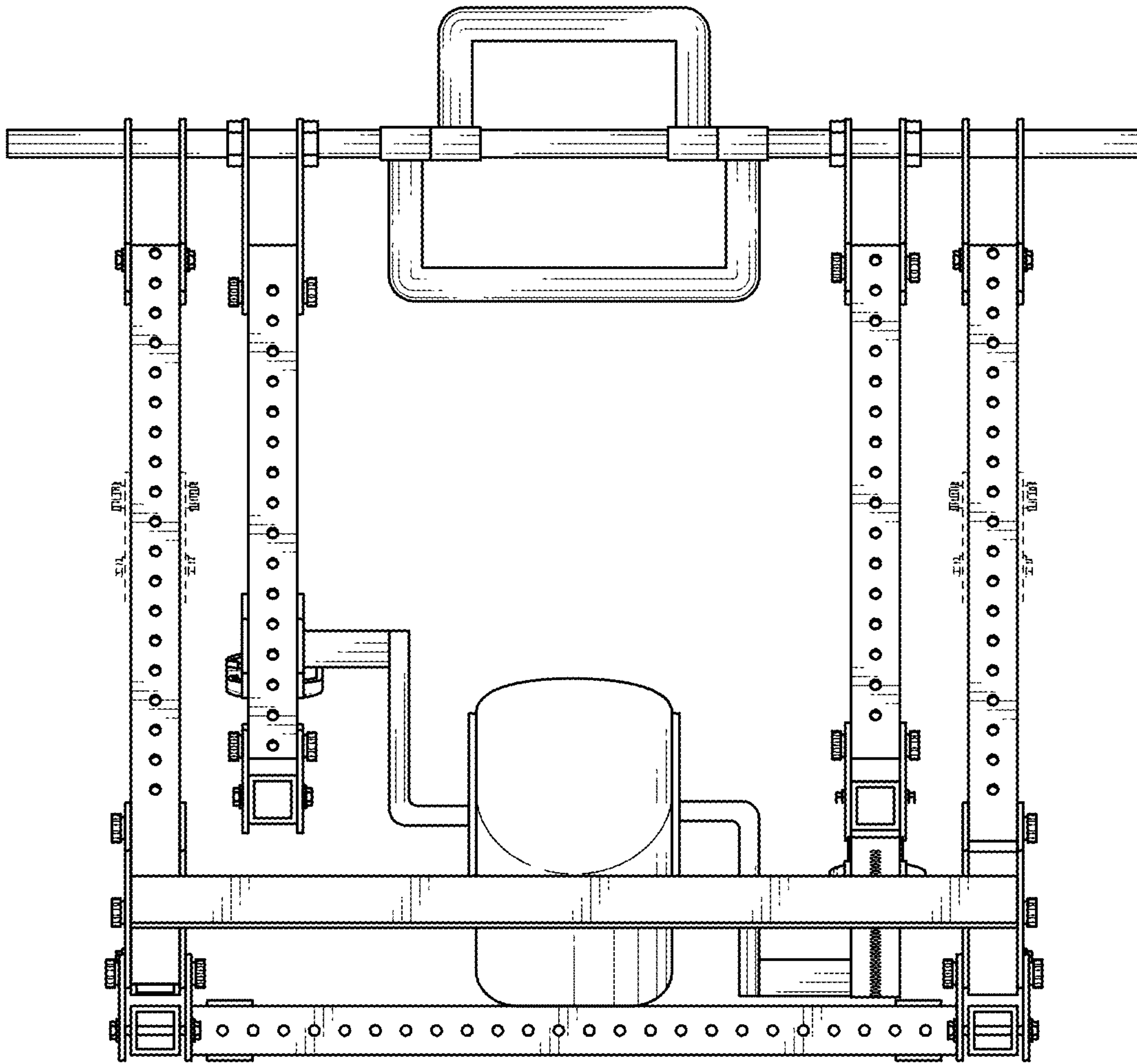


FIG. 4

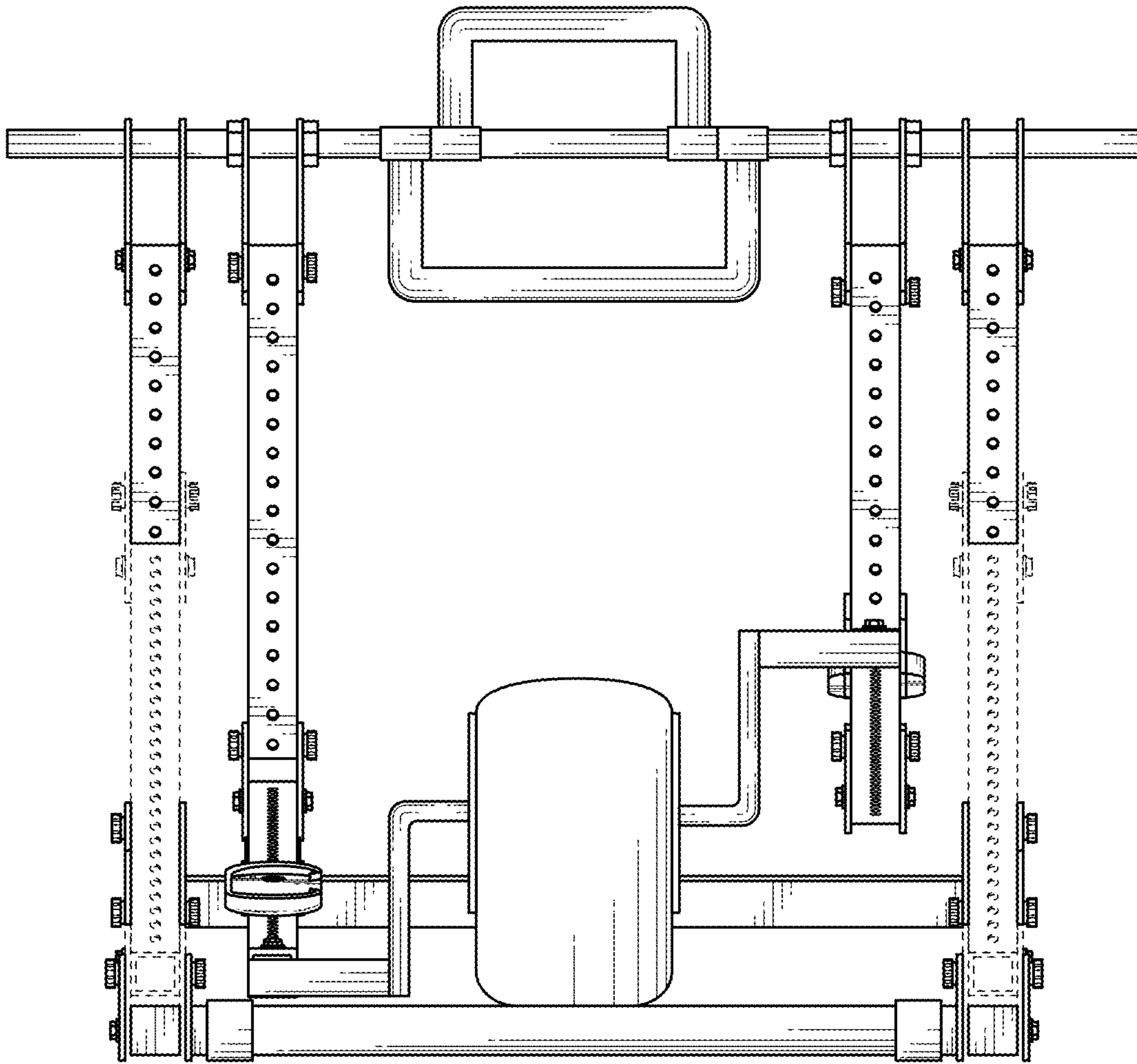


FIG. 5

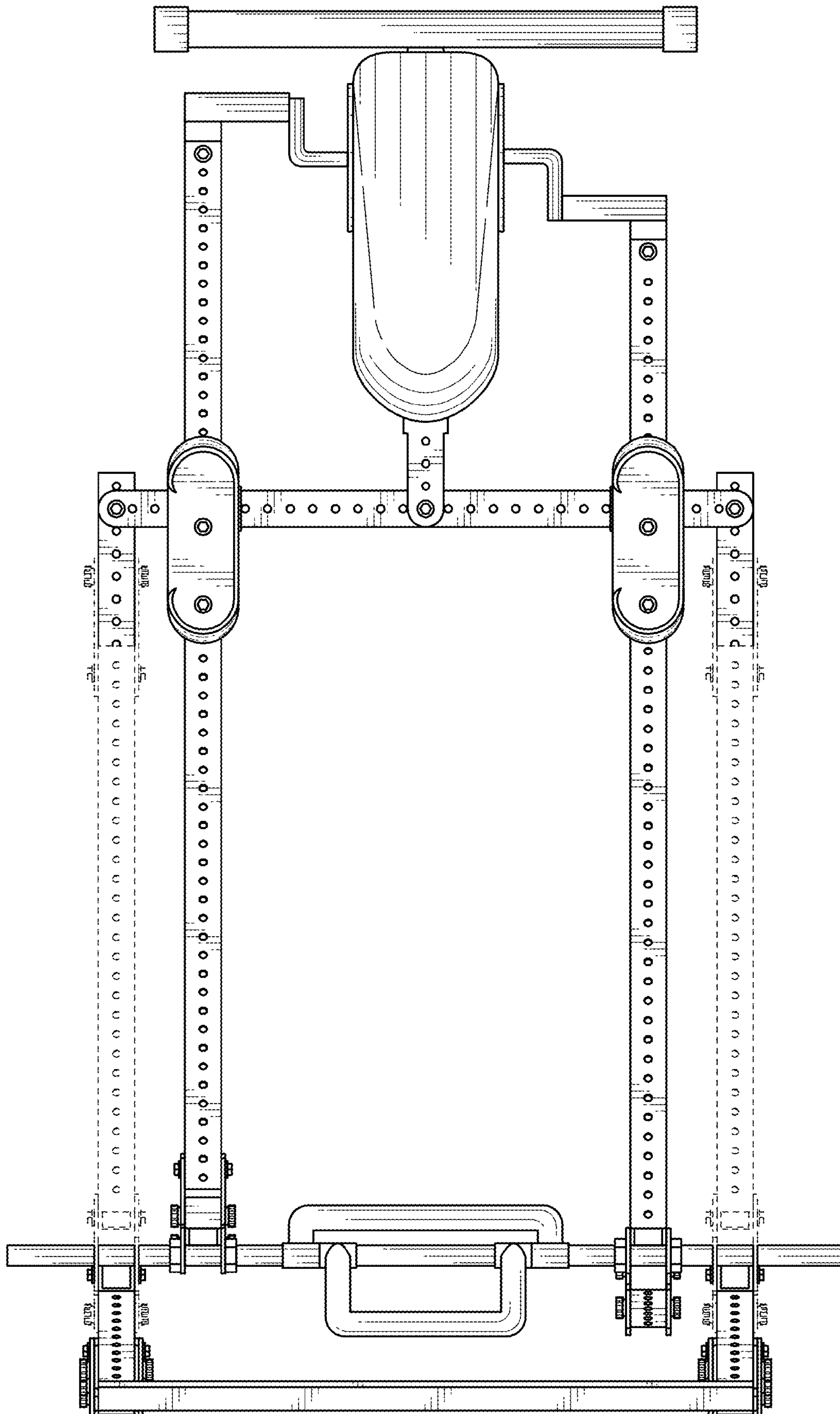


FIG. 6

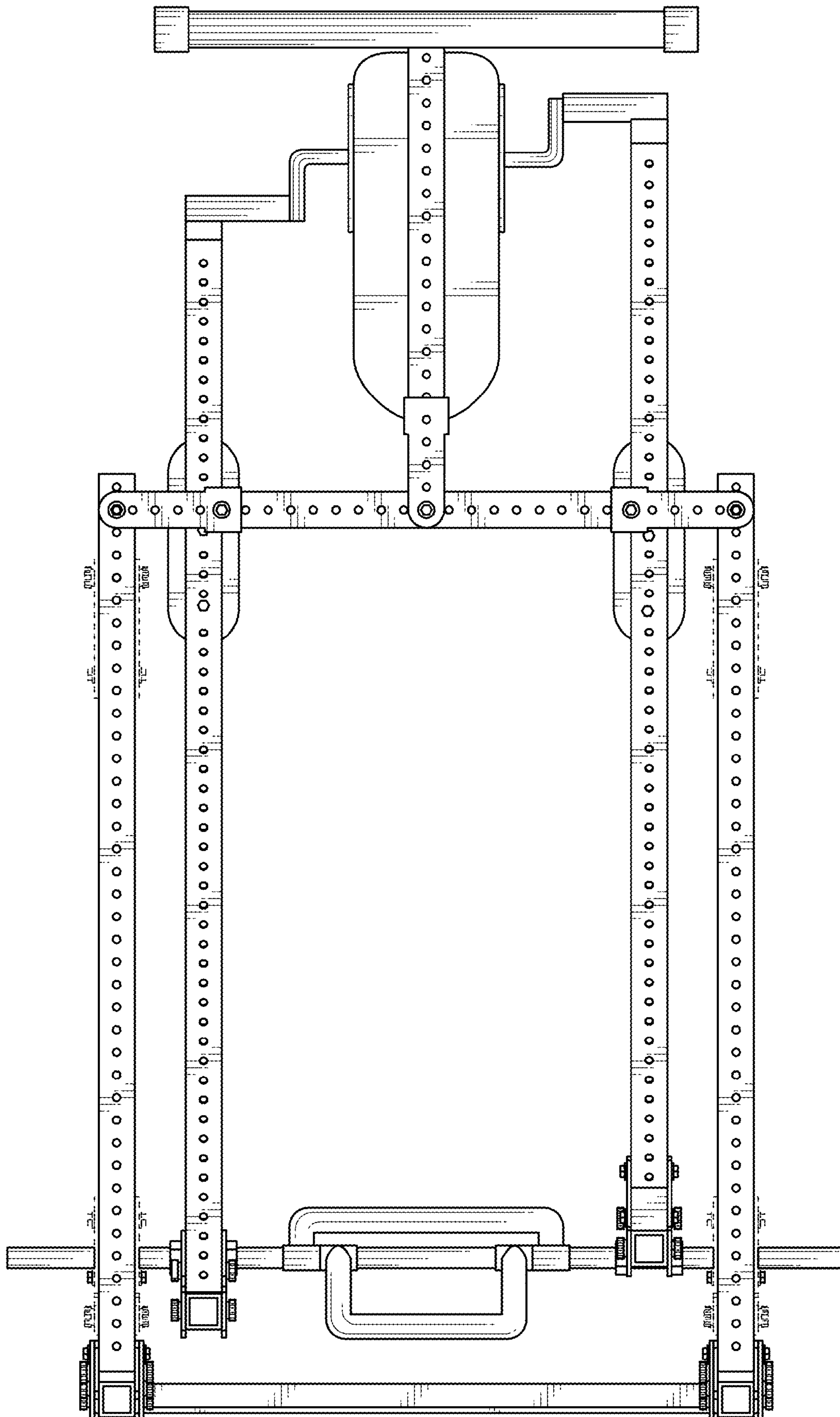


FIG. 7