



US00D930760S

(12) **United States Design Patent** (10) **Patent No.:** **US D930,760 S**
Ewing et al. (45) **Date of Patent:** **** Sep. 14, 2021**

(54) **MODEL VEHICLE ASSEMBLY** 5,102,367 A * 4/1992 Mullaney A63H 17/262
446/448

(71) Applicant: **TRAXXAS LP**, McKinney, TX (US) (Continued)

(72) Inventors: **Adam Cole Ewing**, McKinney, TX (US); **Jaime Felix Barajas**, Dallas, TX (US); **Skylar Hagler**, Anna, TX (US); **Otto Karl Allmendinger**, Rowlett, TX (US); **Kent Poteet**, Lucas, TX (US); **Jory Sprowl**, Honey Grove, TX (US); **Jonathan Scott Wood**, Frisco, TX (US); **Casey Christen Jens Christensen**, McKinney, TX (US); **Terry Soward**, Van Alstyne, TX (US)

FOREIGN PATENT DOCUMENTS

CN 3240357 6/2002
CN 3562952 9/2006

(Continued)

OTHER PUBLICATIONS

“Extreme Power | Traxxas 8s X-Maxx,” Feb. 13, 2017, youtube.com, site visited Mar. 16, 2021, URL: <https://www.youtube.com/watch?v=Jta7T48SopQ> (Year: 2017).*

(Continued)

(73) Assignee: **TRAXXAS LP**, McKinney, TX (US)

(**) Term: **15 Years**

Primary Examiner — Eric L Goodman
Assistant Examiner — Sarah L Smith

(21) Appl. No.: **29/688,153**

(74) *Attorney, Agent, or Firm* — Daryl R. Wright; Greg Carr

(22) Filed: **Apr. 18, 2019**

(51) **LOC (13) Cl.** **21-01**

(52) **U.S. Cl.**

USPC **D21/562**; D21/533; D21/548; D21/552

(58) **Field of Classification Search**

USPC D12/83, 86–93, 98; D21/424, 427, 433, D21/434, 477, 533, 548–550, 552, 556, D21/558, 559, 483, 560–563, 580, 581; 296/181.1, 181.5, 181.3, 183.1, 37.6; 446/448

CPC .. A63H 17/162; A63H 17/262; A63H 17/264; A63H 17/38; A63H 17/004; A63H 17/26; A63H 17/266; A63H 17/36; A63H 29/00; A63H 29/22; A63H 29/24; A63H 30/04; B60C 2200/20; B60R 9/06; B62B 5/0033; B62D 35/00

See application file for complete search history.

(56) **References Cited**

U.S. PATENT DOCUMENTS

D277,494 S 2/1985 Lerch
D281,000 S 10/1985 Kuna et al.

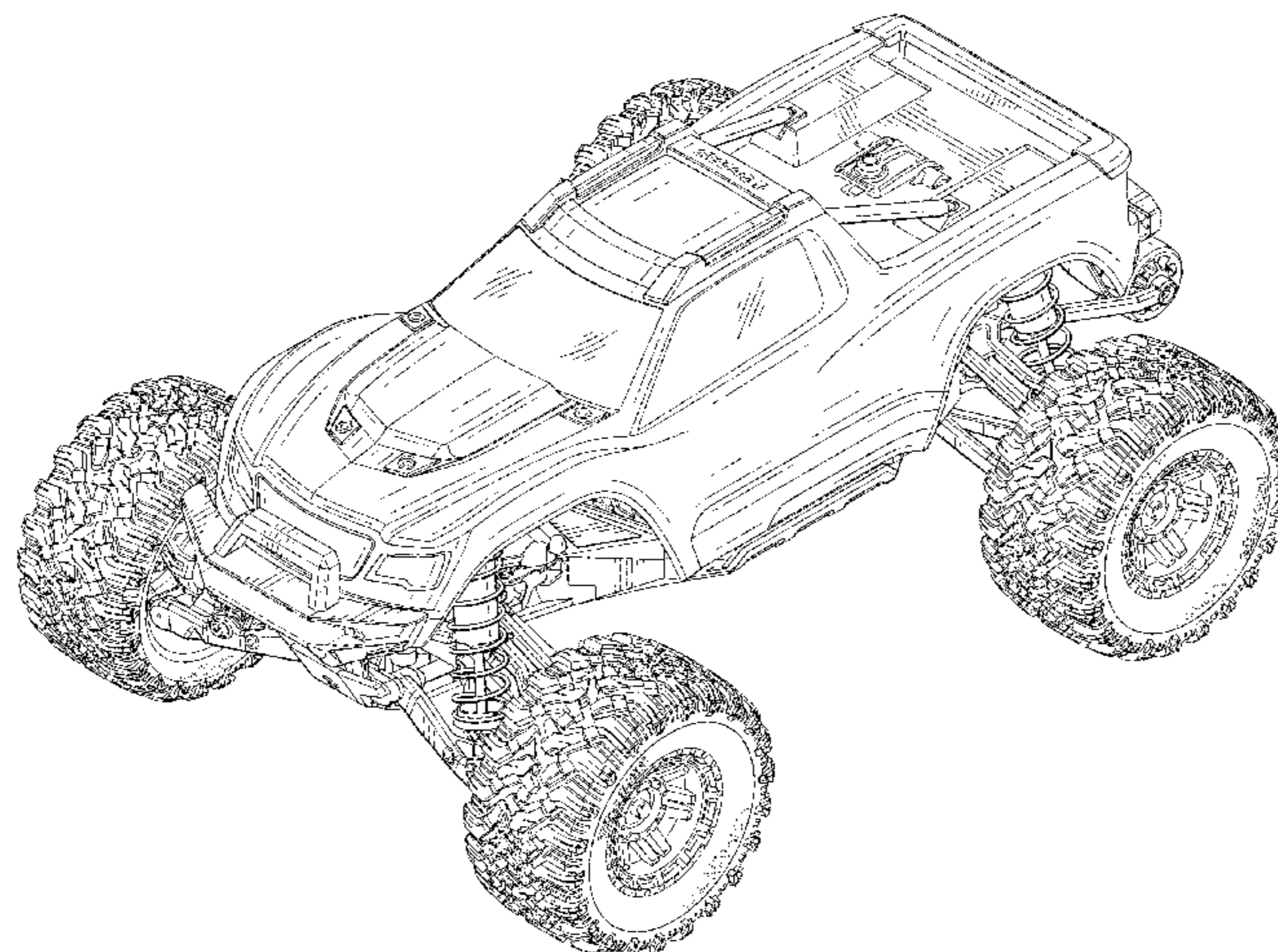
(57) **CLAIM**

We claim the ornamental design for a model vehicle assembly, as shown and described.

DESCRIPTION

FIG. 1 is an upper, left, front perspective view of a model vehicle assembly;
FIG. 2 is front elevation view thereof;
FIG. 3 is a rear elevation view thereof;
FIG. 4 is a left side elevation view thereof;
FIG. 5 is a right side elevation view thereof;
FIG. 6 is a top plan view thereof;
FIG. 7 is a bottom plan view thereof; and,
FIG. 8 is a lower, right, rear perspective view thereof.
In the drawings, the broken line showing of features of a model vehicle assembly illustrate portions of the model vehicle assembly that form no part of the claimed design.

1 Claim, 7 Drawing Sheets



(56)

References Cited

U.S. PATENT DOCUMENTS

5,228,880 A * 7/1993 Meyer A63H 17/004
180/7.1
5,267,888 A * 12/1993 Hippely A63H 17/262
301/32
5,297,982 A 3/1994 Filoseta
D425,141 S 5/2000 Park
D550,311 S * 9/2007 Chen D21/548
D566,789 S * 4/2008 Idiot D21/552
D567,886 S 4/2008 Lampert et al.
D570,735 S 6/2008 Ogihara
D777,619 S * 1/2017 Barajas A63H 17/004
D12/171
D802,685 S * 11/2017 Barajas D21/562
D822,126 S 7/2018 Allmendinger et al.
D827,054 S 8/2018 Ewing et al.
D828,796 S 9/2018 Allmendinger et al.
D832,368 S * 10/2018 Barajas A63H 30/04
D21/561
D839,363 S 1/2019 Ewing et al.
D851,183 S 6/2019 Wood et al.
D856,432 S 8/2019 Ewing et al.
D862,610 S 10/2019 Barajas et al.
D862,611 S 10/2019 Barajas et al.
D862,612 S * 10/2019 Sprowl D21/563
D867,474 S 11/2019 Ewing et al.
D870,211 S 12/2019 Wozniak
D870,824 S 12/2019 Barajas et al.
D875,647 S 2/2020 Barajas et al.
D876,555 S 2/2020 Barajas et al.
D877,055 S * 3/2020 Jens Christensen D12/579
D879,212 S 3/2020 Barajas et al.
D885,302 S 5/2020 Sprowl et al.
D891,356 S * 7/2020 Sprowl A63H 17/262
D12/401
D896,709 S 9/2020 Ewing et al.
D899,917 S 10/2020 Sprowl et al.
D900,250 S 10/2020 Ewing et al.
D901,288 S 11/2020 Sprowl et al.
D902,089 S 11/2020 Ewing et al.
D902,090 S 11/2020 Ewing et al.
D902,091 S 11/2020 Ewing et al.
D904,244 S 12/2020 Wood et al.
D904,530 S * 12/2020 Sprowl A63H 17/262
D21/548
D904,531 S * 12/2020 Barajas A63H 17/004
D21/552
D904,532 S 12/2020 Ewing et al.
D905,798 S 12/2020 Ewing et al.
D905,799 S 12/2020 Ewing et al.
D908,177 S 1/2021 Sprowl et al.
2003/0046802 A1 3/2003 Chernoff et al.
2008/0070475 A1 * 3/2008 Hippely A63H 17/00
2010/0078967 A1 4/2010 Boettcher
2010/0112897 A1 * 5/2010 Ribbe A63H 30/04
446/454
2014/0051327 A1 * 2/2014 O'Connor A63H 17/004
446/448
2016/0038846 A1 * 2/2016 Colquhoun A63H 17/262
446/465

2017/0080350 A1 * 3/2017 Allmendinger A63H 31/08
2019/0381416 A1 12/2019 Christensen et al.
2020/0269150 A1 8/2020 Roberts et al.

FOREIGN PATENT DOCUMENTS

CN 302322638 * 2/2013
CN 302781769 4/2014
CN 303455430 * 11/2015
CN 303934567 11/2016
CN 303950722 * 11/2016
CN 303988879 12/2016
EM 000850979-0003 2/2008
EM 005817137-0002 11/2018
WO D095551-006 * 4/2017

OTHER PUBLICATIONS

“Horizon Hobby,” Nov. 24, 2018, facebook.com, site visited Mar. 16, 2021, URL: <https://www.facebook.com/HorizonHobby/photos/10156482477308935> (Year: 2018).*

“VCANNY Remote Control Car,” Dec. 1, 2018, amazon.com, site visited Mar. 16, 2021, URL: https://www.amazon.com/VCANNY-Control-Terrain-Electric-Monster/dp/B07H4KCP6M/ref=sr_1_16?dchild=1&keywords=rc+trucks&qid=1615896440&sr=8-16 (Year: 2018).*

“Traxxas,” Apr. 3, 2019, facebook.com, site visited Mar. 15, 2021, URL: <https://www.facebook.com/traxxas/photos/2161570843890931> (Year: 2019).*

“Traxxas,” Jan. 23, 2019, facebook.com, site visited Mar. 15, 2021, URL: <https://www.facebook.com/traxxas/photos/2055081154539901> (Year: 2019).*

“Monster Truck Racing League,” Feb. 14, 2019, facebook.com, site visited Mar. 16, 2021, URL: <https://www.facebook.com/monstertruckracingleague/photos/2432219630122631> (Year: 2019).*

“Traxxas X-Maxx: The Evolution of Tough,” Oct. 30, 2015, youtube.com, site visited Apr. 1, 2021, URL: <https://www.youtube.com/watch?v=s22fCy4SYRA> (Year: 2015).

“RC vs. Full-Size Monster Truck!! | Traxxas X-Maxx,” Nov. 13, 2017, youtube.com, site visited Apr. 1, 2021, URL: <https://www.youtube.com/watch?v=ur48H0Tv6cg> (Year: 2017).

“Traxxas,” Feb. 20, 2018, facebook.com, site visited Apr. 1, 2021, URL: <https://www.facebook.com/traxxas/photos/1612706215444066> (Year: 2018).

“1/10 AMP MT 2WD Monster Truck,” Nov. 25, 2017 (in review), horizonhobby.com, site visited Apr. 1, 2021, URL: <https://www.horizonhobby.com/product/1-10-amp-mt-2wd-monster-truck-brushed-btd-kit-with-unpainted-body/ECX03034.html> (Year: 2017).

“Everything I’ve BROKE in 1 year on my Traxxas X-Maxx V2 8s,” Apr. 25, 2018, youtube.com, site visited Apr. 1, 2021, URL: <https://www.youtube.com/watch?v=G6mswb1SeMk> (Year: 2018).

“T-Maxx 3.3: Pure Nitro Power | Traxxas,” Aug. 20, 2018, youtube.com, site visited Apr. 1, 2021, URL: <https://www.youtube.com/watch?v=YLf3m92MoQ4> (Year: 2018).

“Hot Wheels Monster Trucks Hot Wheels Racing Vehicle,” Aug. 29, 2018, amazon.com/au, site visited Apr. 5, 2021, URL: https://www.amazon.com.au/Hot-Wheels-Monster-Truck-Multi/dp/B07GB64B5B/ref=sr_1_94?dchild=1&keywords=toy+dump+truck&qid=1617620649&sr=8-94 (Year: 2018).

* cited by examiner

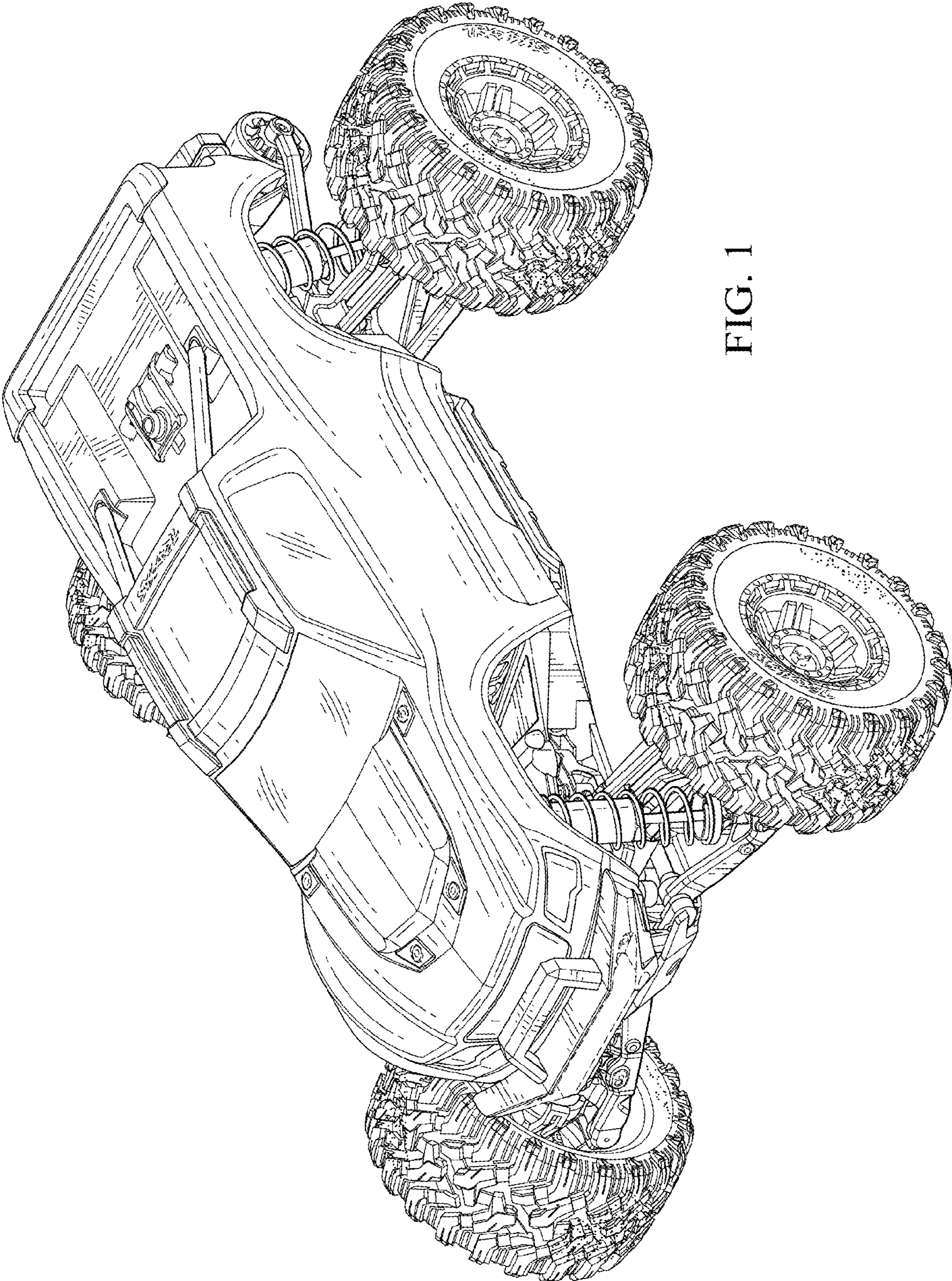


FIG. 1

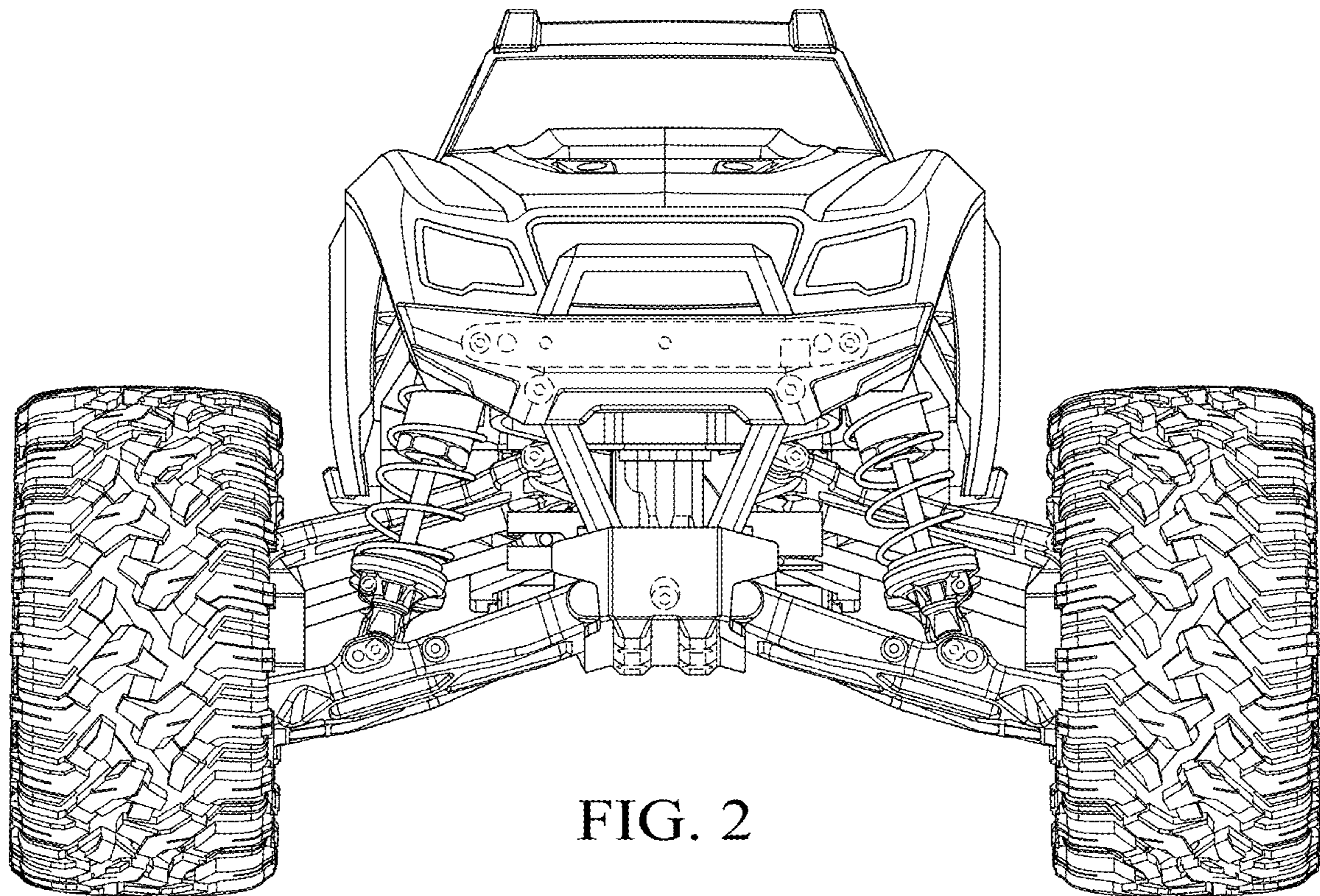


FIG. 2

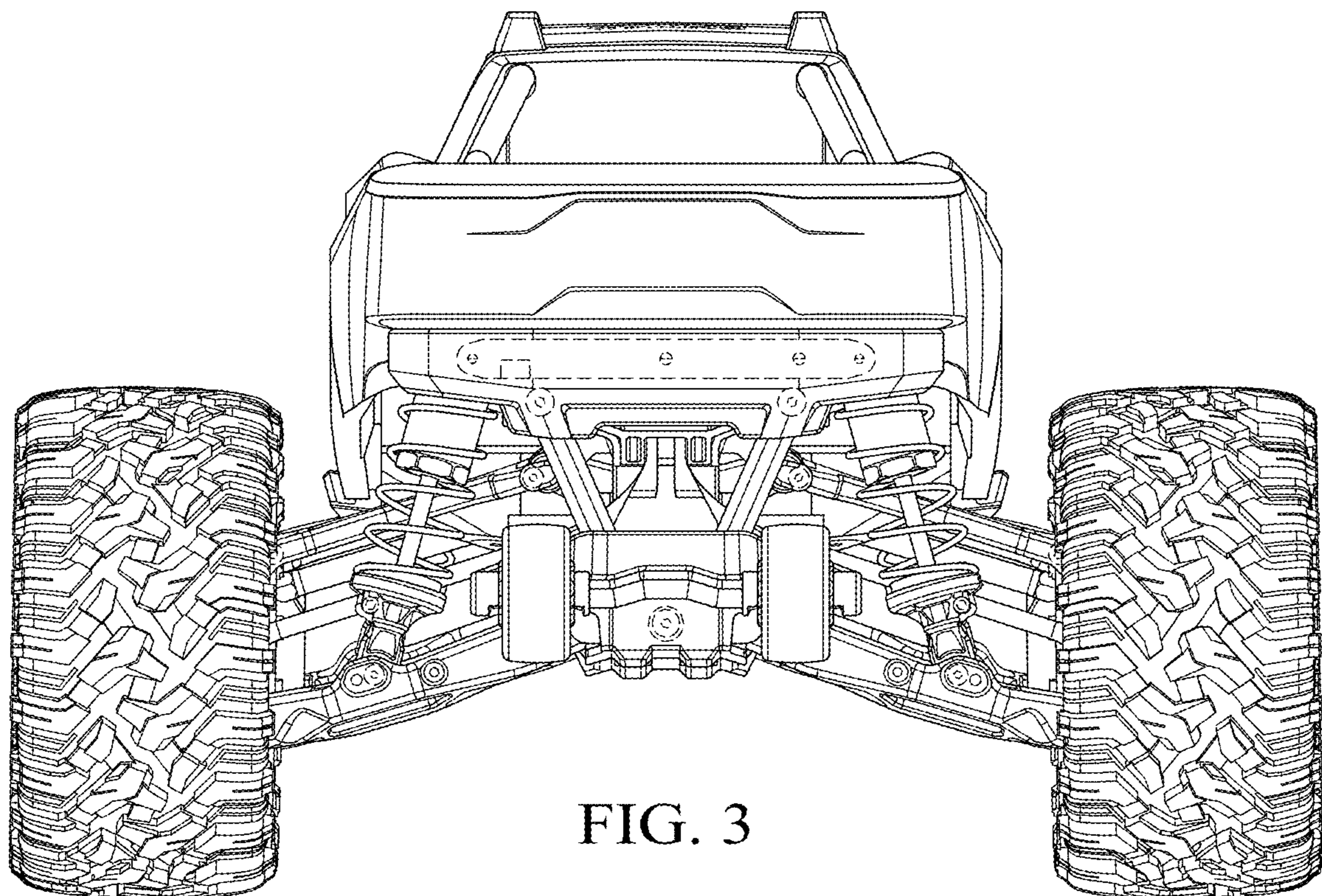


FIG. 3

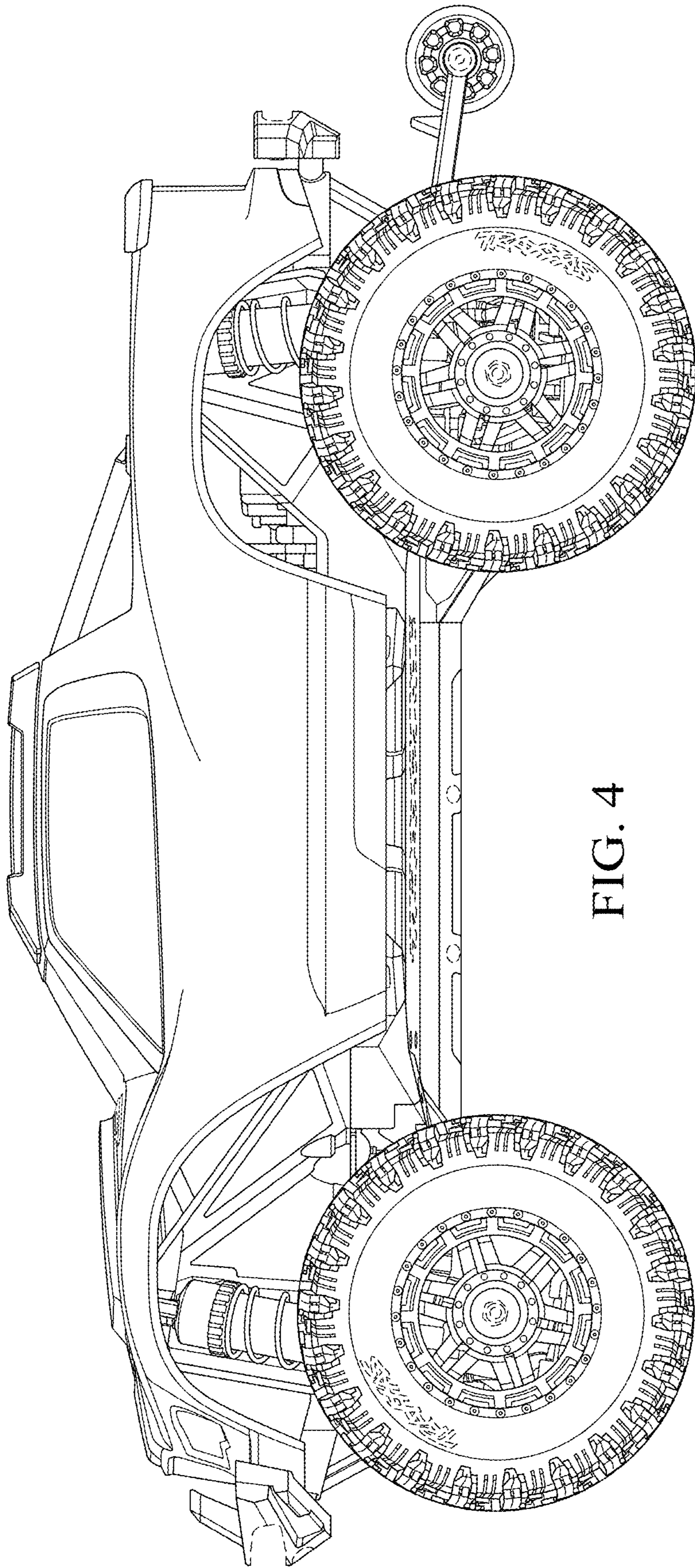


FIG. 4

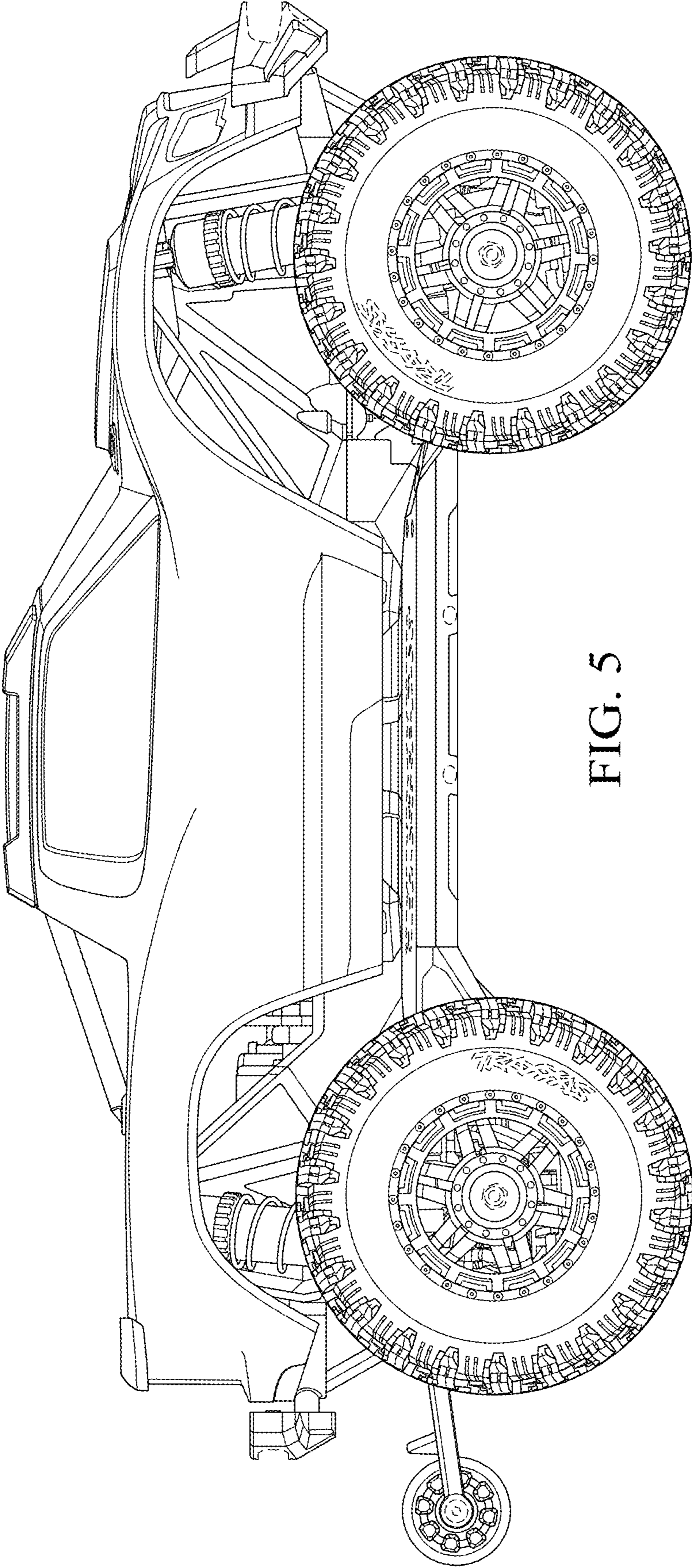


FIG. 5

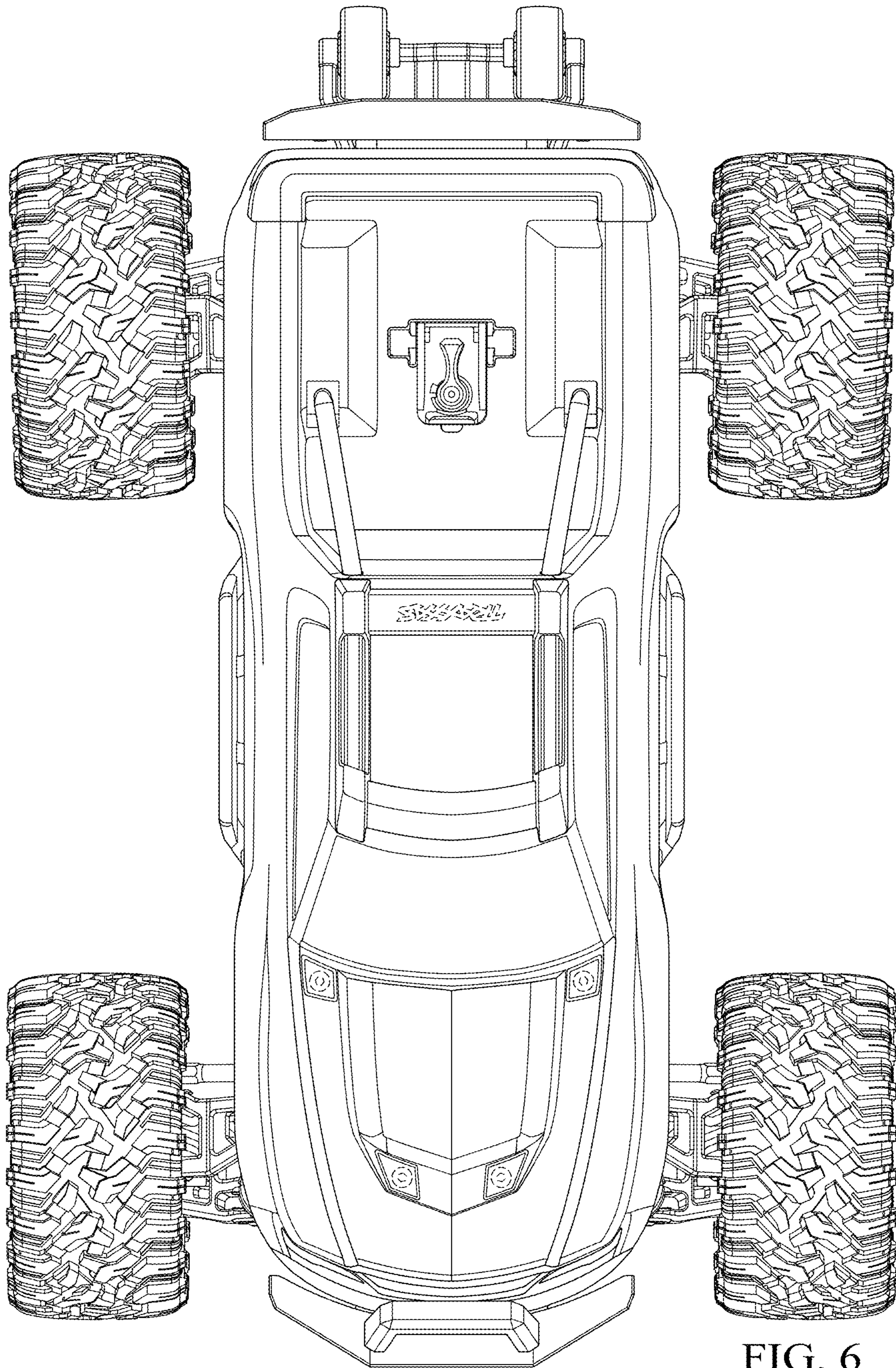


FIG. 6

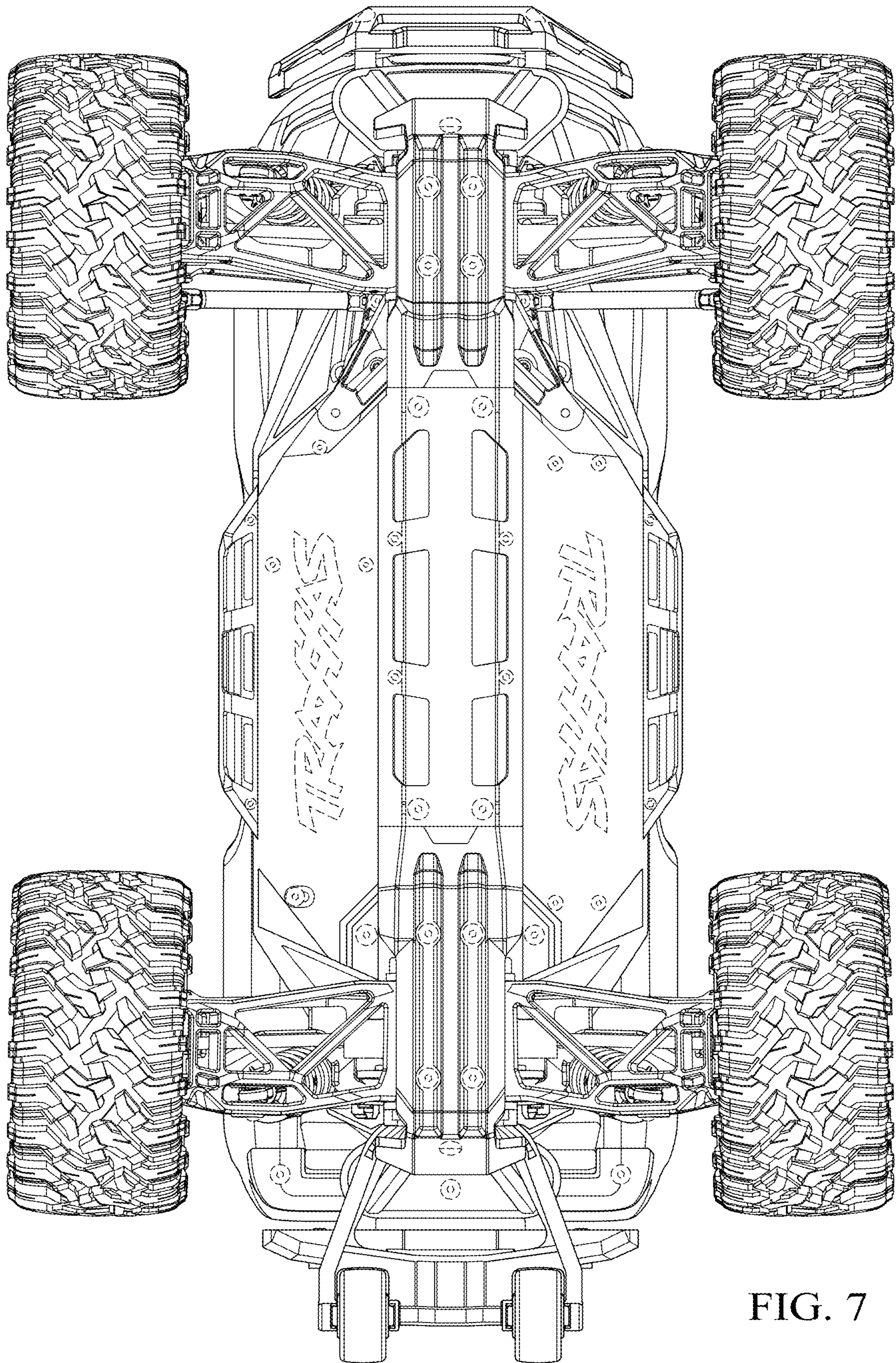


FIG. 7

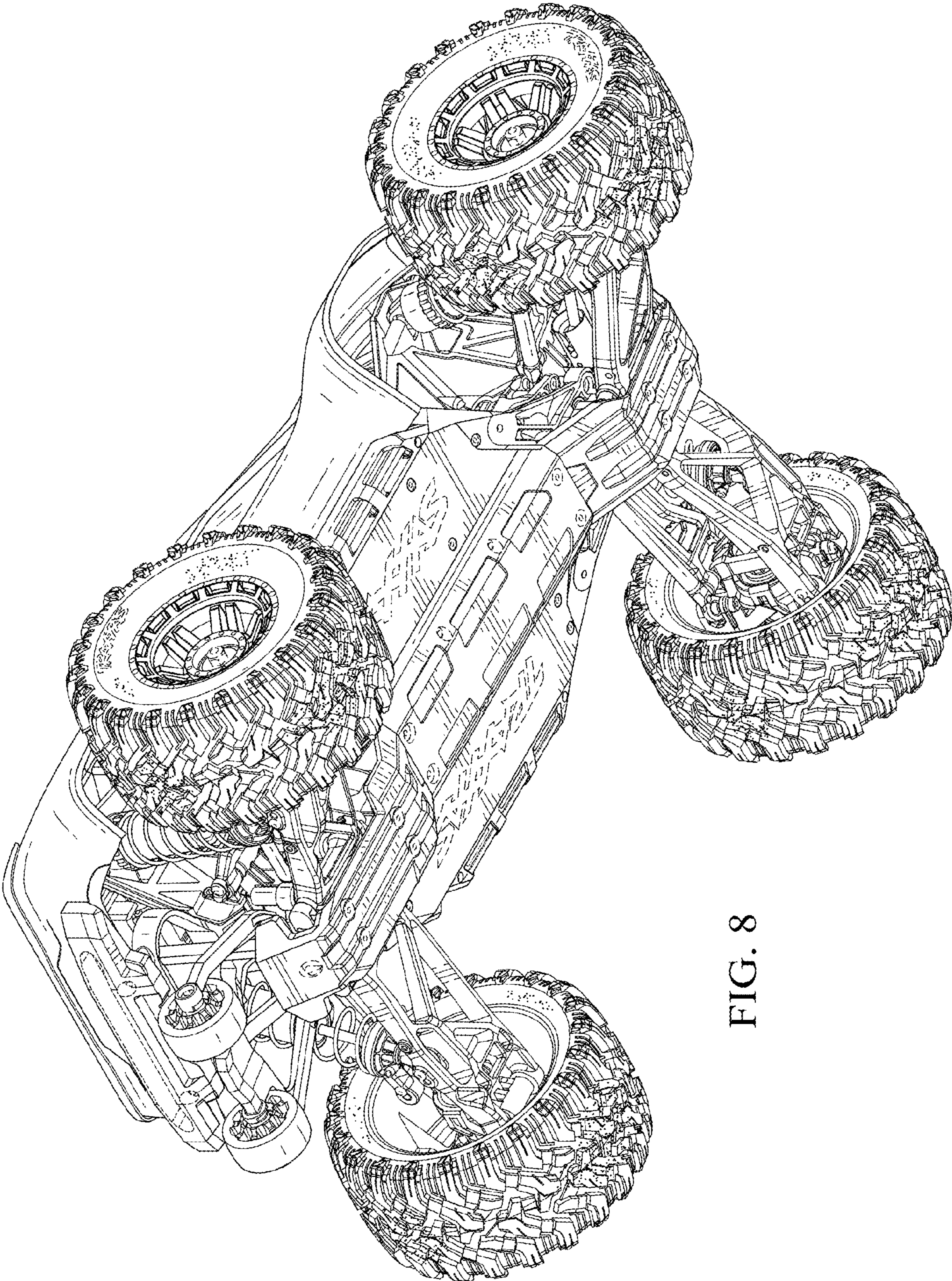


FIG. 8