



US00D930757S

(12) **United States Design Patent** (10) **Patent No.:** **US D930,757 S**
Singh et al. (45) **Date of Patent:** **** Sep. 14, 2021**

(54) **SCOOTER**
(71) Applicants: **Snap Pop**, Coto de Caza, CA (US);
1867361 ONTARIO INC, Etobicoke (CA)
(72) Inventors: **Amit Singh**, Coto de Caza, CA (US);
Robert Douglas Stewart, Etobicoke (CA)
(73) Assignees: **Snap Pop**, Coto de Caza, CA (US);
1867361 ONTARIO INC, Etobicoke (CA)
(**) Term: **15 Years**
(21) Appl. No.: **29/714,252**
(22) Filed: **Nov. 21, 2019**
(51) **LOC (13) Cl.** **21-01**
(52) **U.S. Cl.**
USPC **D21/423; D21/427**
(58) **Field of Classification Search**
USPC D21/419, 421, 423, 424-427, 429, 432,
D21/435, 760, 763, 765, 771, 540, 541;
D12/1, 110
CPC B62K 3/002; B62K 9/00; B62K 2202/00;
B62K 15/00; B62K 2015/001; B62K
2015/003; B60Y 2200/126
See application file for complete search history.

(56) **References Cited**
U.S. PATENT DOCUMENTS
D282,088 S * 1/1986 Kroll D21/428
4,595,380 A * 6/1986 Magers A63H 17/38
446/437
D284,984 S * 8/1986 Tzanetakos D21/421
D303,408 S * 9/1989 Wallace D21/550
D308,704 S * 6/1990 Weiland D21/427
D317,334 S * 6/1991 Takahashi D21/428

D318,308 S * 7/1991 Leong D21/550
5,154,658 A * 10/1992 Marcus A63H 5/00
446/411
5,165,711 A * 11/1992 Tsai B62K 3/002
280/87.041
D337,622 S * 7/1993 Schiffman D21/423
D390,281 S * 2/1998 O'Rourke D21/423
D465,814 S * 11/2002 Koveleski D21/433
D504,920 S * 5/2005 Hong D21/423
D552,186 S * 10/2007 Hong D21/423
D552,187 S * 10/2007 Hong D21/423
D665,034 S * 8/2012 Grossman D21/423
D665,035 S * 8/2012 Grossman D21/423
D679,761 S * 4/2013 Nava D21/427
D687,900 S * 8/2013 Blanco D21/427
D719,618 S * 12/2014 Herlitz D21/424
D745,933 S * 12/2015 Mayson D21/433
D792,524 S * 7/2017 Lee D21/533
D825,685 S * 8/2018 Tompkin D21/550
D827,038 S * 8/2018 Exley D21/434

(Continued)

Primary Examiner — Cynthia M. Chin
(74) *Attorney, Agent, or Firm* — Sterne, Kessler,
Goldstein & Fox P.L.L.C.

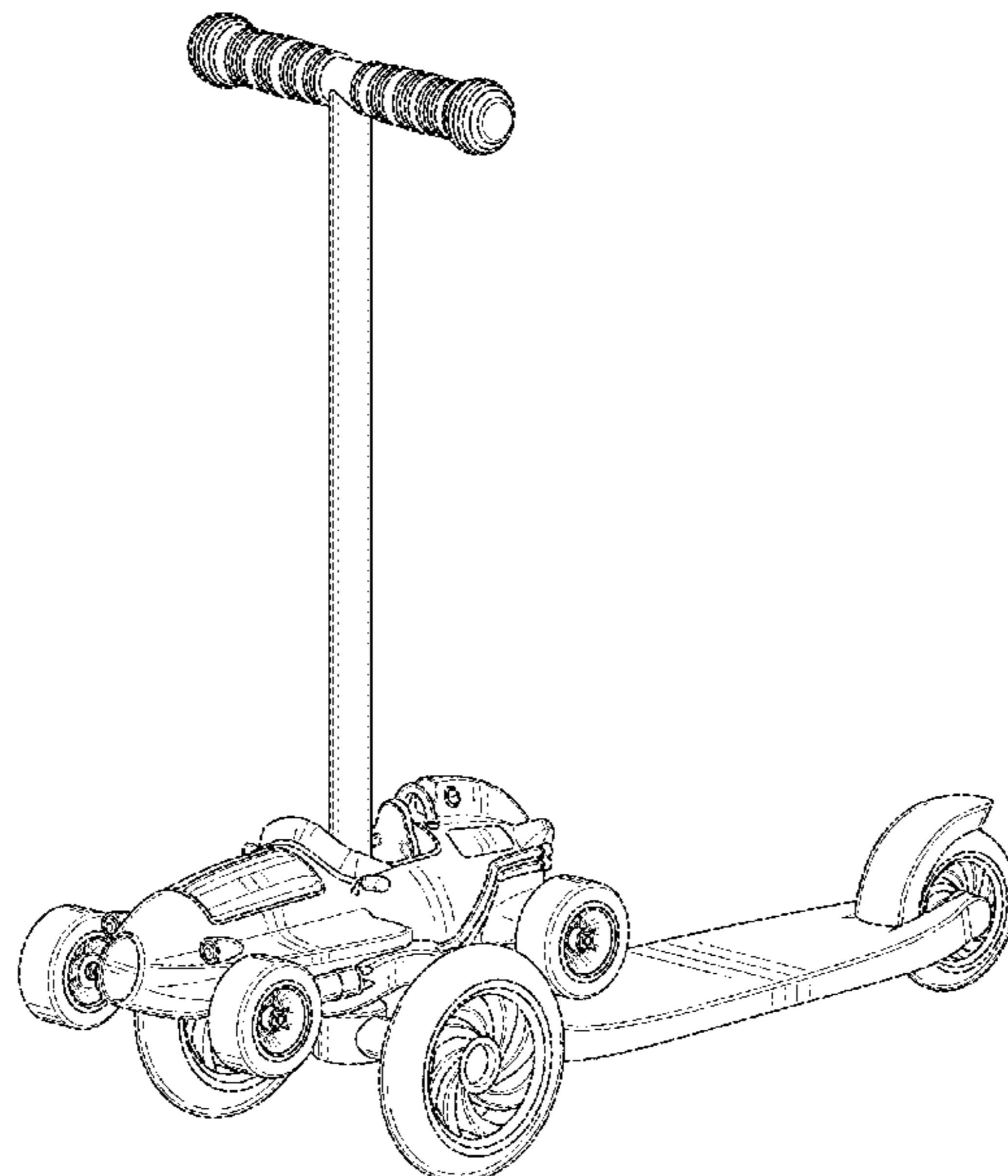
(57) **CLAIM**

The ornamental design for a scooter, as shown and described.

DESCRIPTION

FIG. 1 is a perspective view of a scooter showing the claimed design;
FIG. 2 is a front elevational view thereof;
FIG. 3 is a rear elevational view thereof;
FIG. 4 is a left side elevational view thereof;
FIG. 5 is a right side elevational view thereof;
FIG. 6 is a top plan view thereof; and,
FIG. 7 is a bottom plan view thereof.
The broken lines in the figures show portions of the scooter that form no part of the claimed design.

1 Claim, 7 Drawing Sheets



(56)

References Cited

U.S. PATENT DOCUMENTS

D868,905 S * 12/2019 Tompkin D21/550
2006/0001227 A1 * 1/2006 Hong B62K 3/002
280/87.041

* cited by examiner

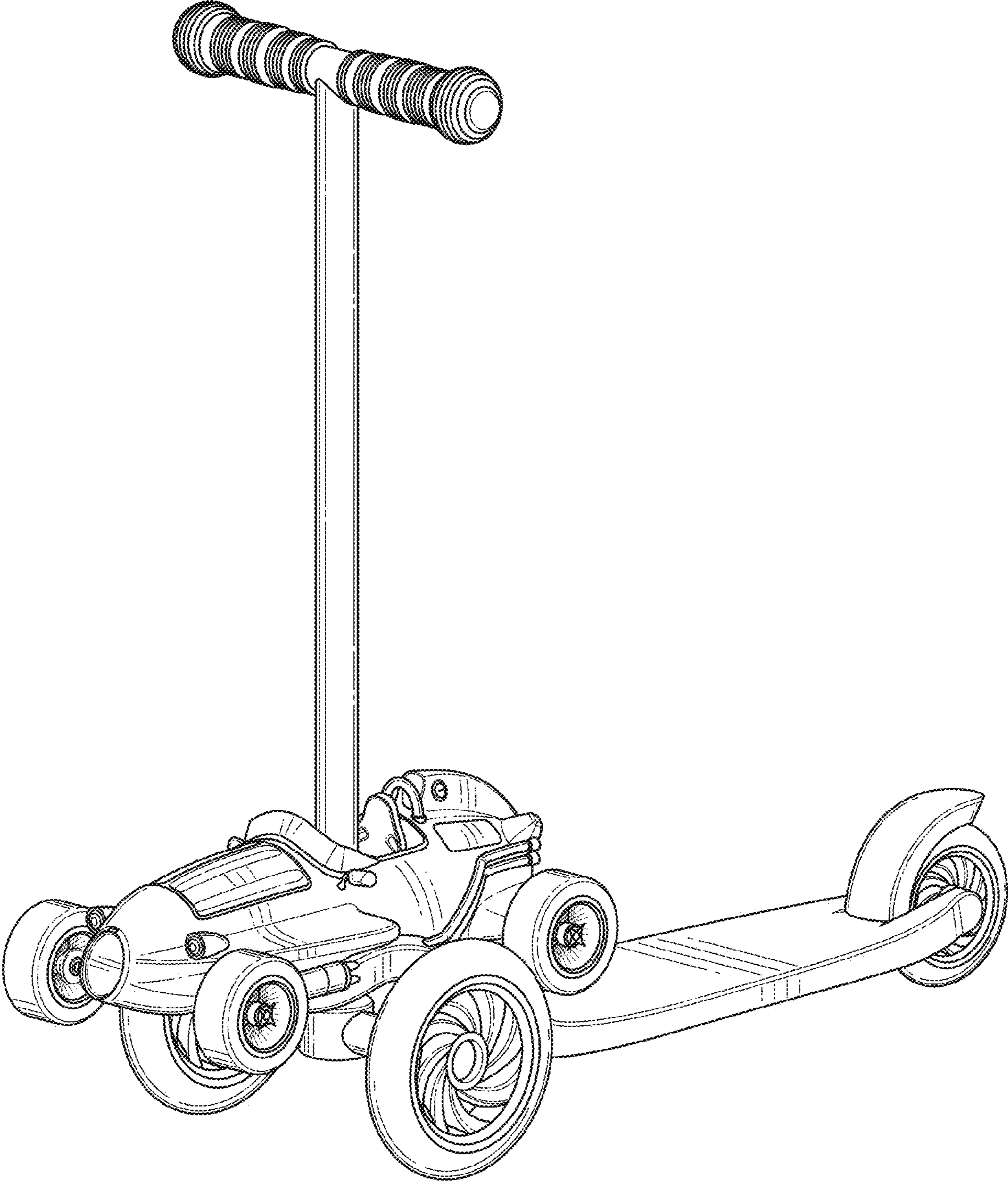


FIG. 1

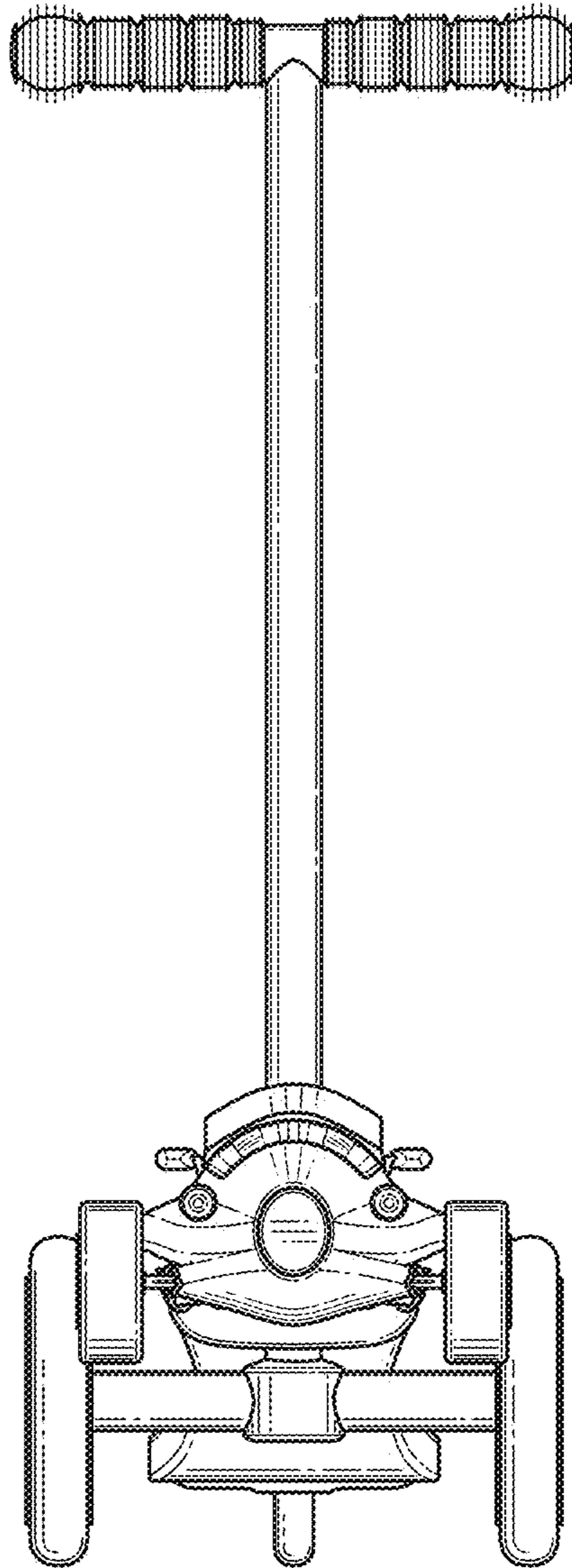


FIG. 2

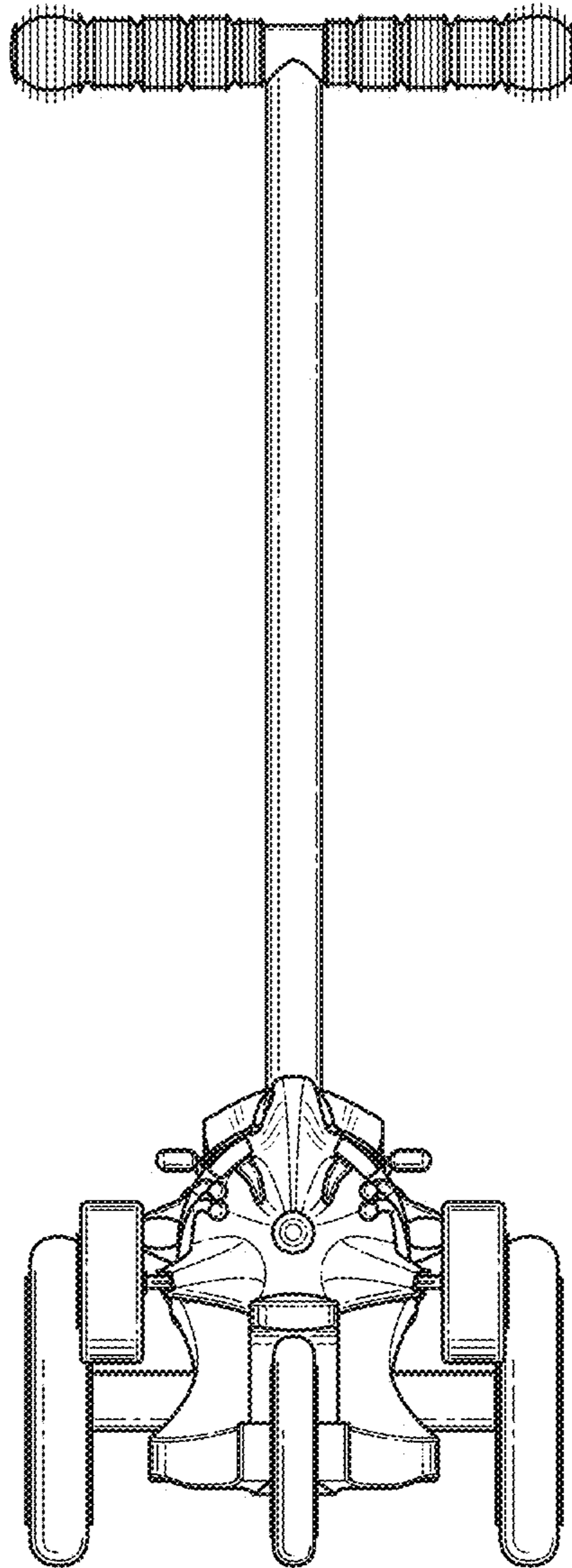


FIG. 3

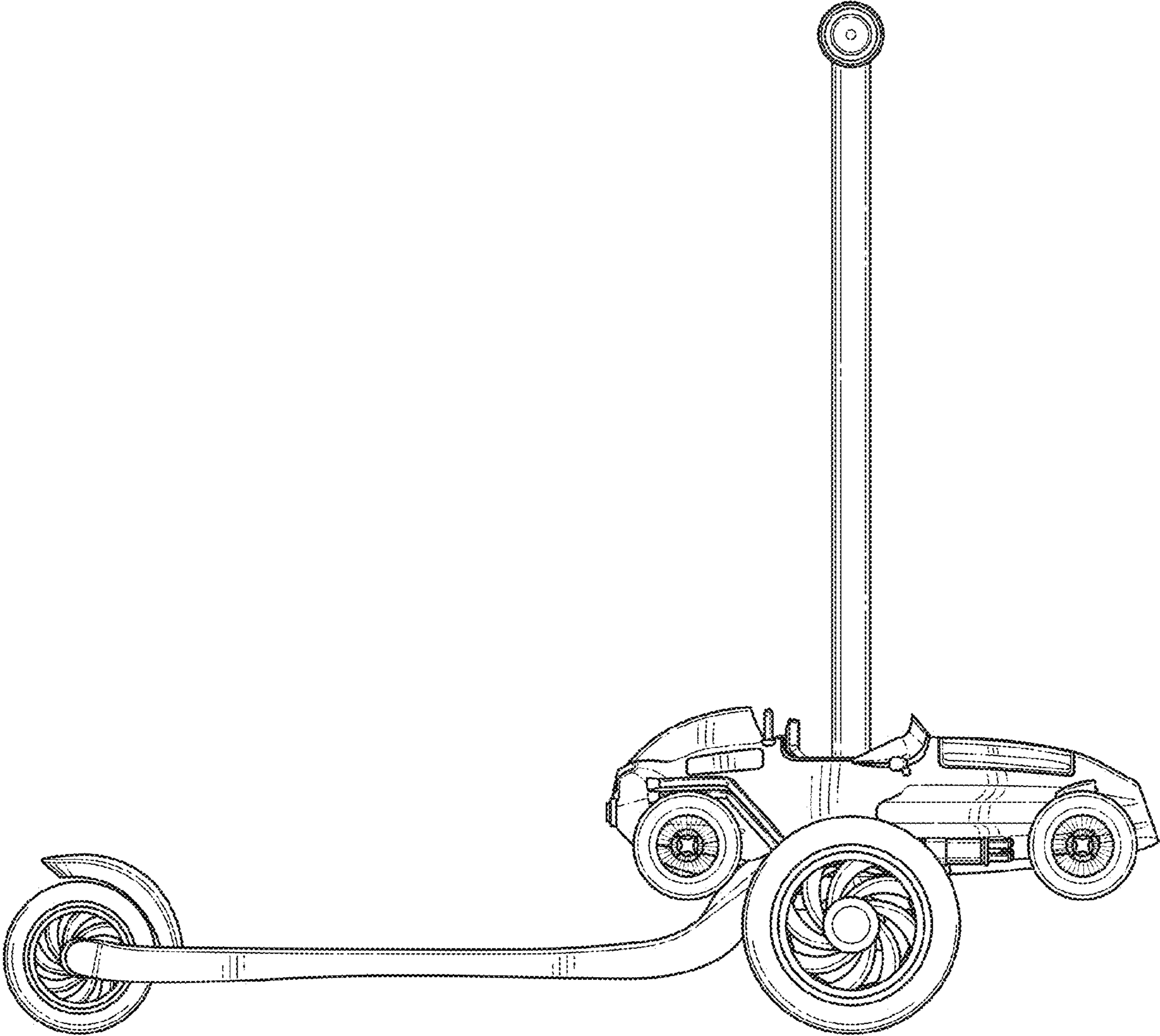


FIG. 4

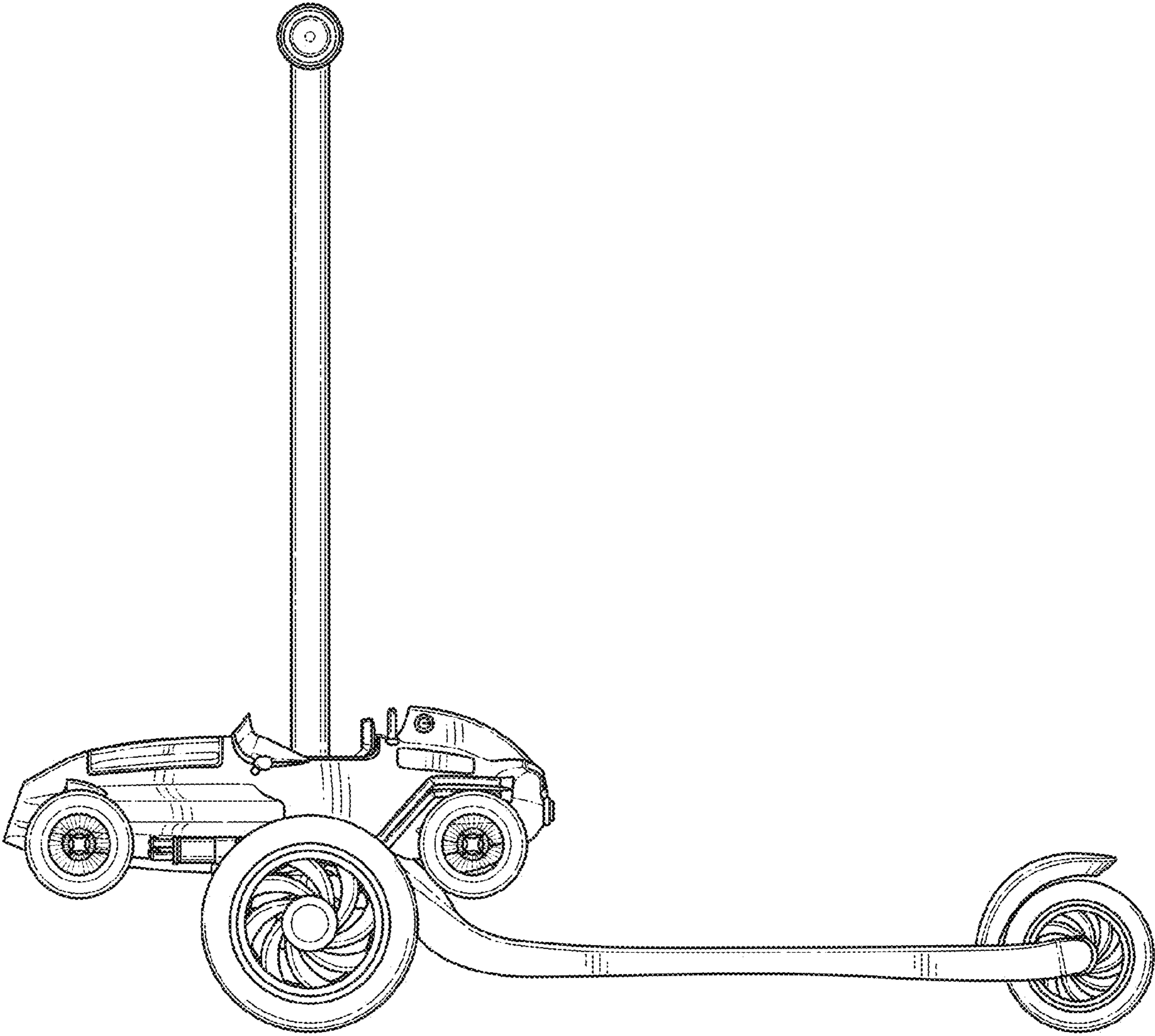


FIG. 5

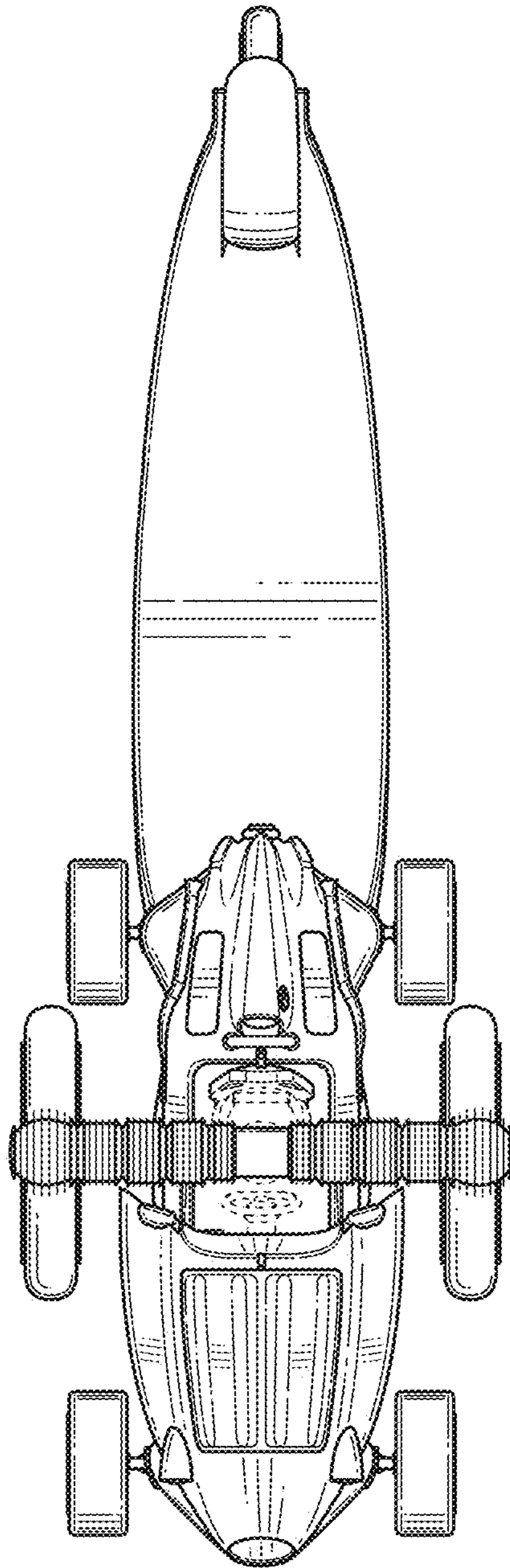


FIG. 6

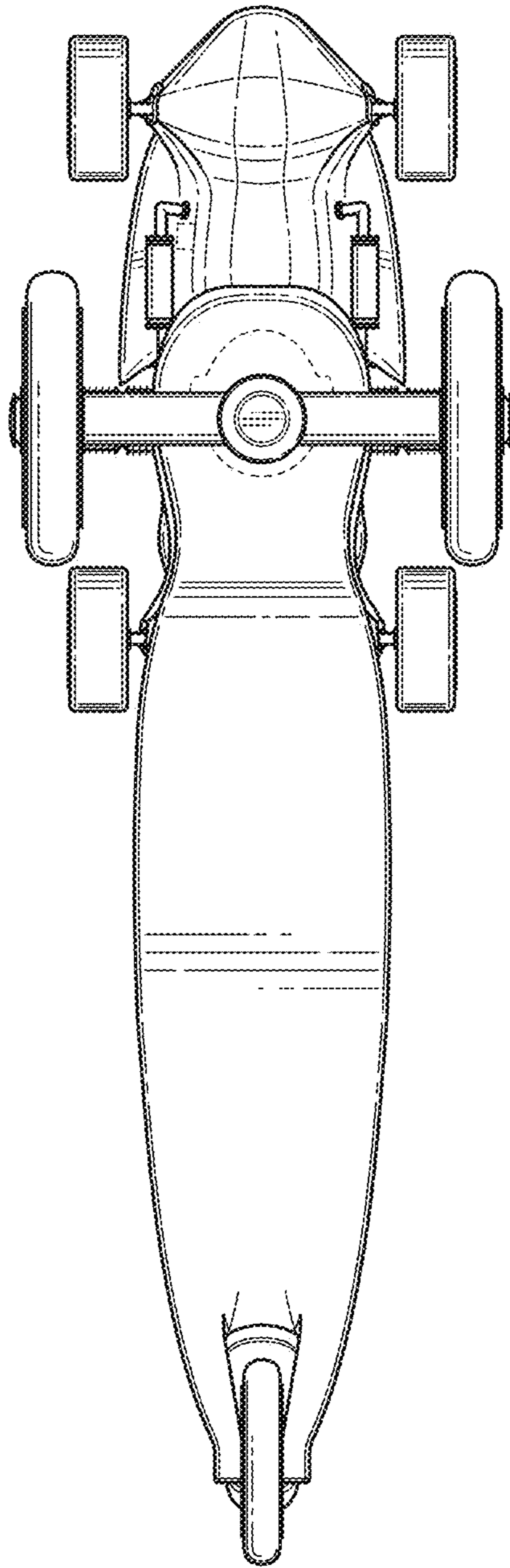


FIG. 7