



US00D930755S

(12) **United States Design Patent**
Singh et al.

(10) **Patent No.:** **US D930,755 S**

(45) **Date of Patent:** **** Sep. 14, 2021**

(54) **SCOOTER**

(71) Applicants: **Snap Pop**, Coto de Caza, CA (US);
1867361 ONTARIO INC, Etobicoke
(CA)

(72) Inventors: **Amit Singh**, Coto de Caza, CA (US);
Robert Douglas Stewart, Etobicoke
(CA)

(73) Assignees: **Snap Pop**, Coto de Caza, CA (US);
1867361 ONTARIO INC, Etobicoke
(CA)

(**) Term: **15 Years**

(21) Appl. No.: **29/714,240**

(22) Filed: **Nov. 21, 2019**

(51) **LOC (13) Cl.** **21-01**

(52) **U.S. Cl.**
USPC **D21/423; D21/428**

(58) **Field of Classification Search**
USPC D21/412, 414, 415, 416, 417, 419, 421,
D21/423, 424-428, 432, 435, 615, 760,
D21/763, 765, 771; D12/1, 110
CPC B62K 3/002; B62K 9/00; B62K 2202/00;
B62K 15/00; B62K 2015/001; B62K
2015/003; B60Y 2200/126
See application file for complete search history.

(56) **References Cited**

U.S. PATENT DOCUMENTS

D373,799 S * 9/1996 Doi D21/615
D394,693 S * 5/1998 Koutsouflakis D21/615

D397,744 S * 9/1998 Brummer D21/615
D519,578 S * 4/2006 Carruth D21/592
D669,138 S * 10/2012 Wong D21/578
9,162,724 B2 * 10/2015 Desberg B62K 3/002
D777,261 S * 1/2017 Desberg D21/423
D781,967 S * 3/2017 Cummings D21/615
D790,801 S * 7/2017 Stern D1/110
D819,754 S * 6/2018 Gillenwater D21/615
D908,807 S * 1/2021 Wang D21/423

* cited by examiner

Primary Examiner — Cynthia M. Chin

(74) *Attorney, Agent, or Firm* — Sterne, Kessler,
Goldstein & Fox P.L.L.C.

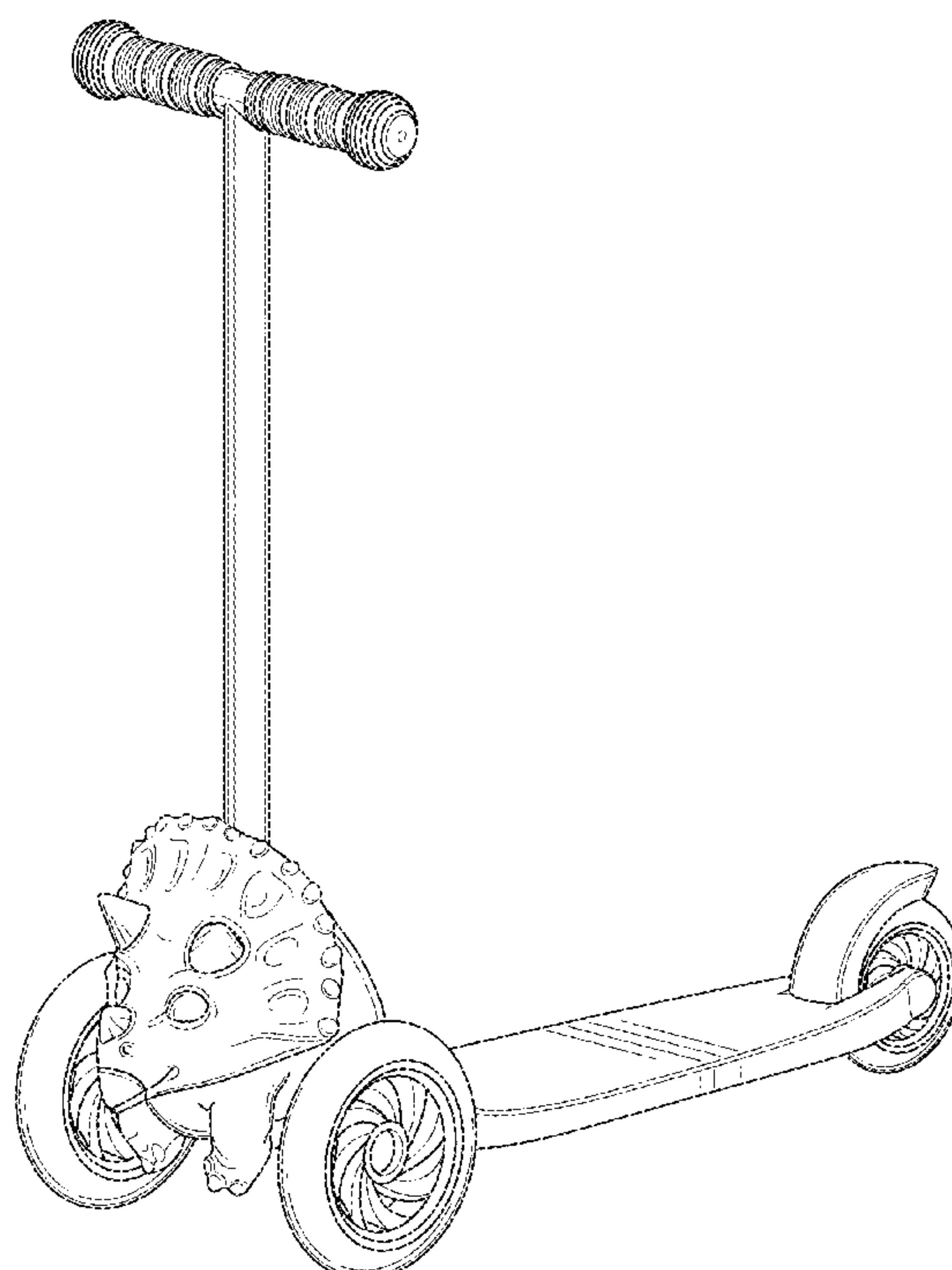
(57) **CLAIM**

The ornamental design for a scooter, as shown and described.

DESCRIPTION

FIG. 1 is a perspective view of a scooter showing the claimed design;
FIG. 2 is a front elevational view thereof;
FIG. 3 is a rear elevational view thereof;
FIG. 4 is a left side elevational view thereof;
FIG. 5 is a right side elevational view thereof;
FIG. 6 is a top plan view thereof; and,
FIG. 7 is a bottom plan view thereof.
The broken lines in the figures show portions of the scooter that form no part of the claimed design.

1 Claim, 7 Drawing Sheets



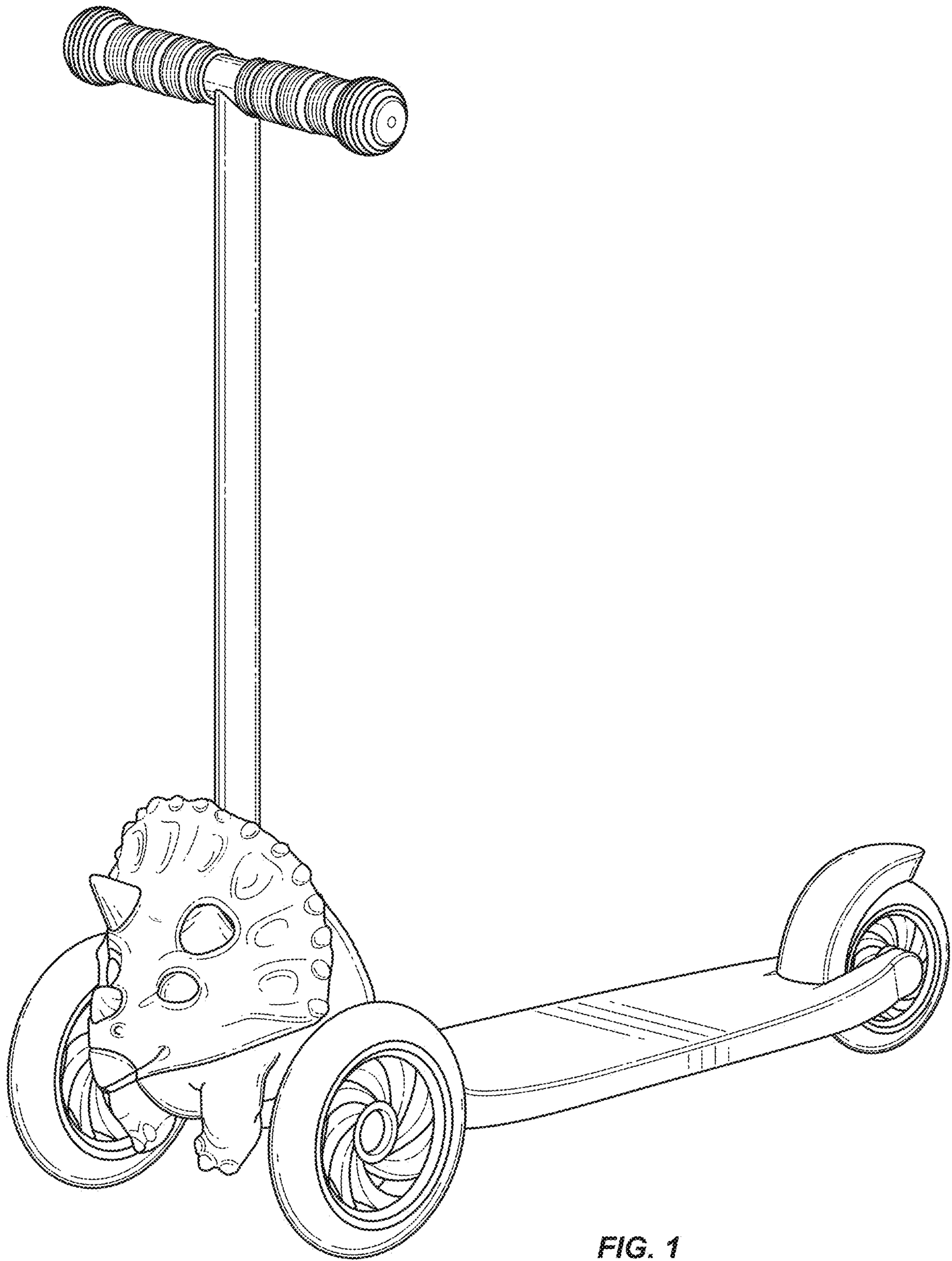


FIG. 1

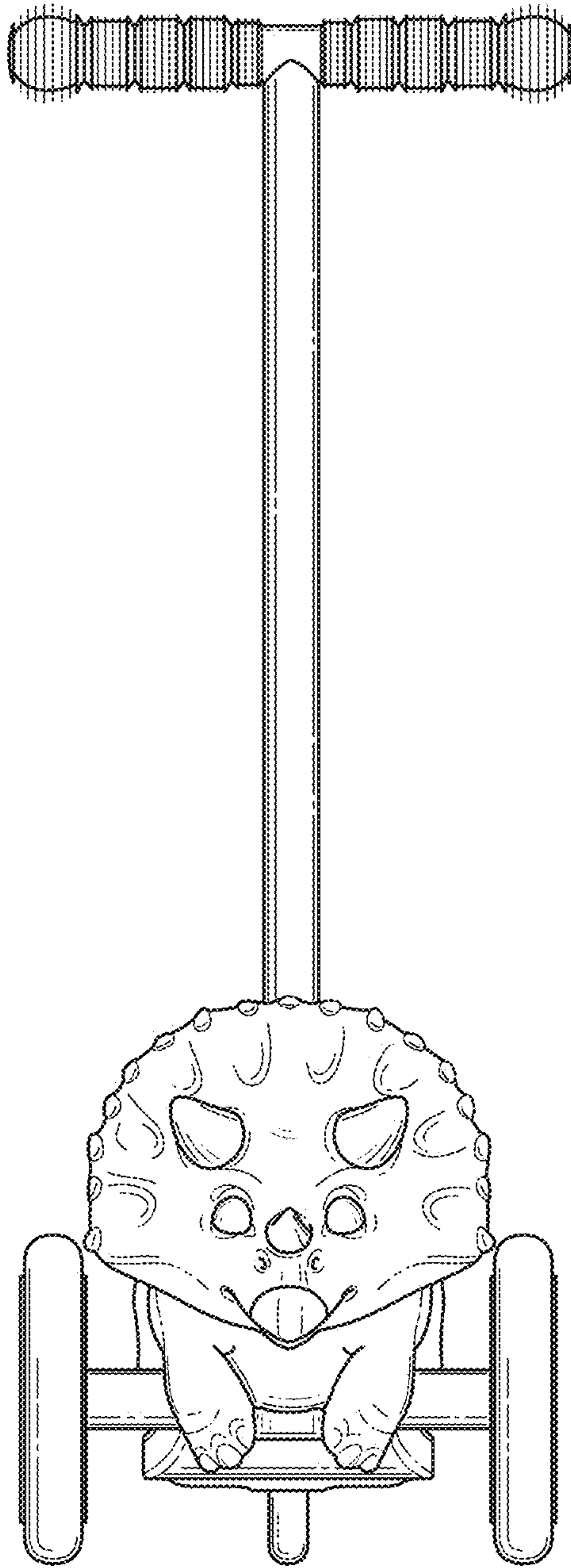


FIG. 2

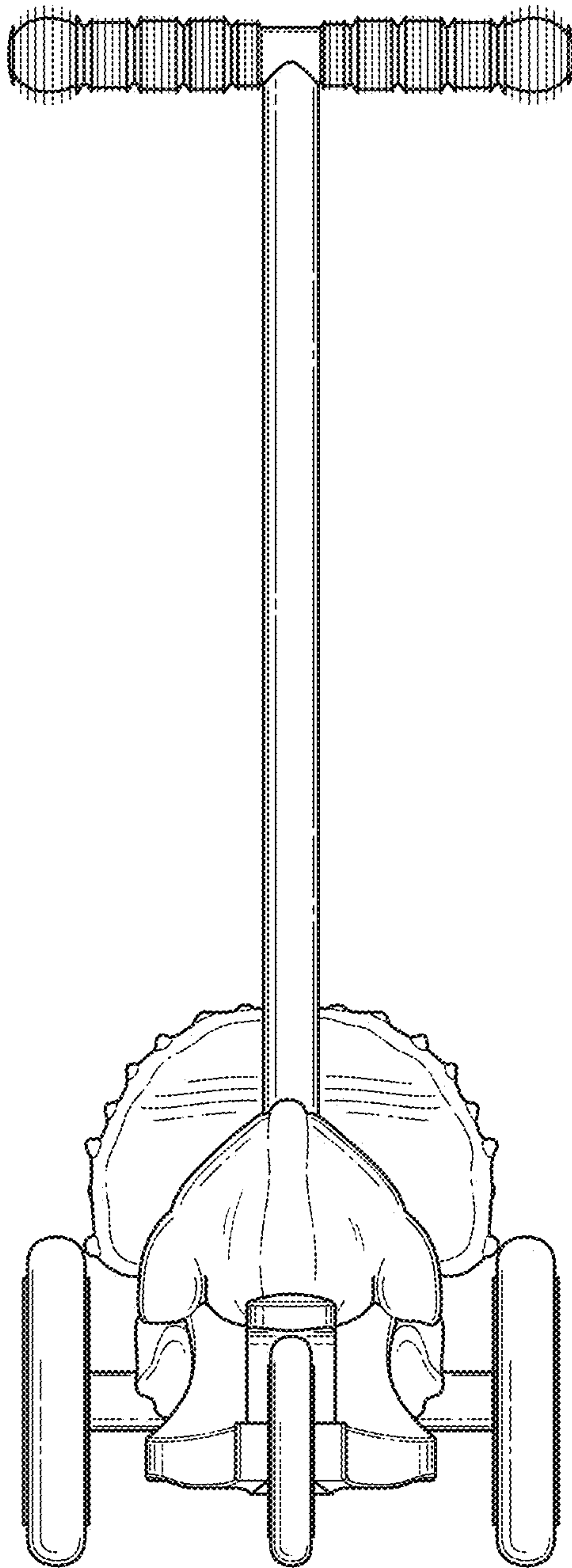


FIG. 3

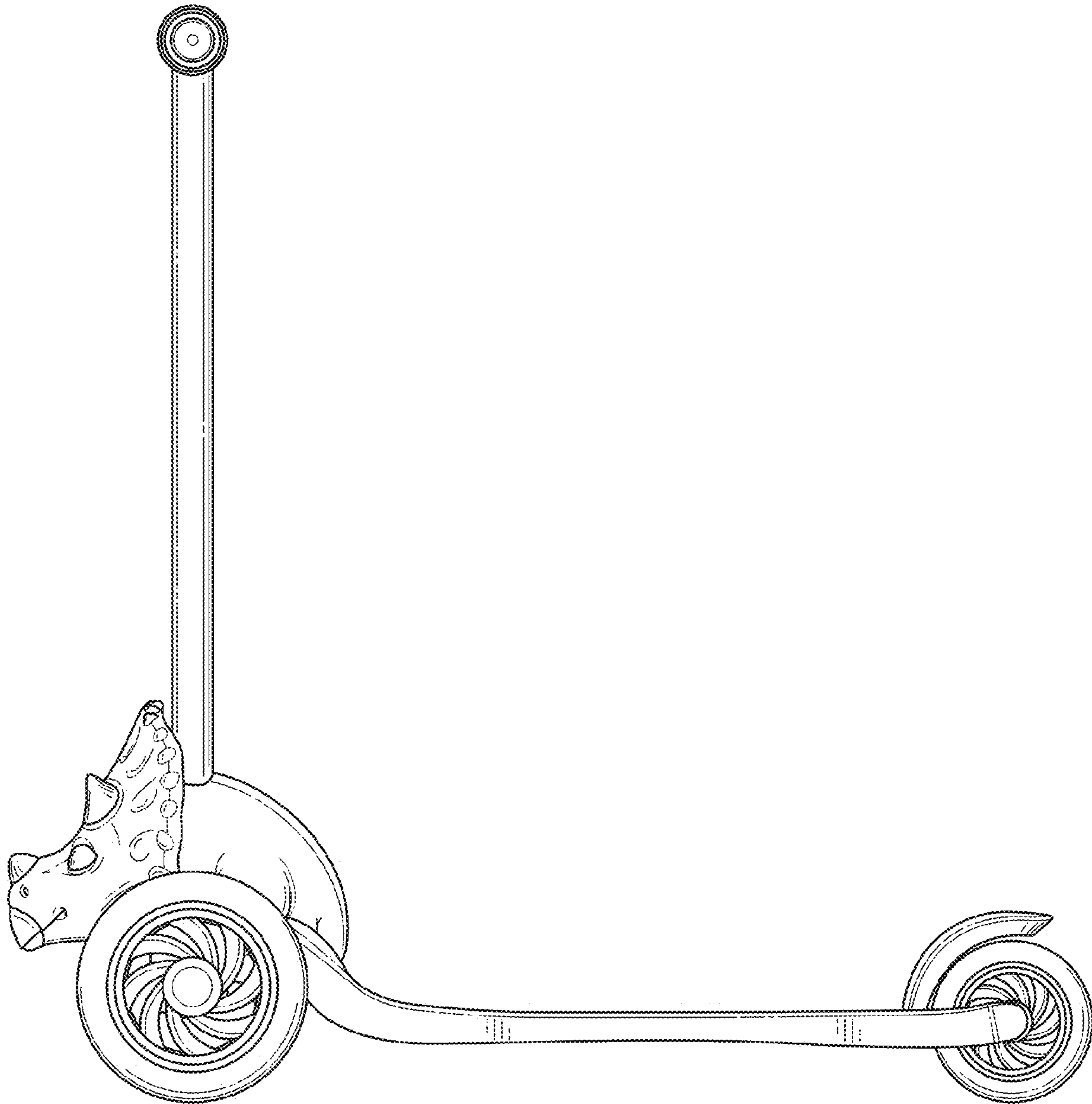


FIG. 4

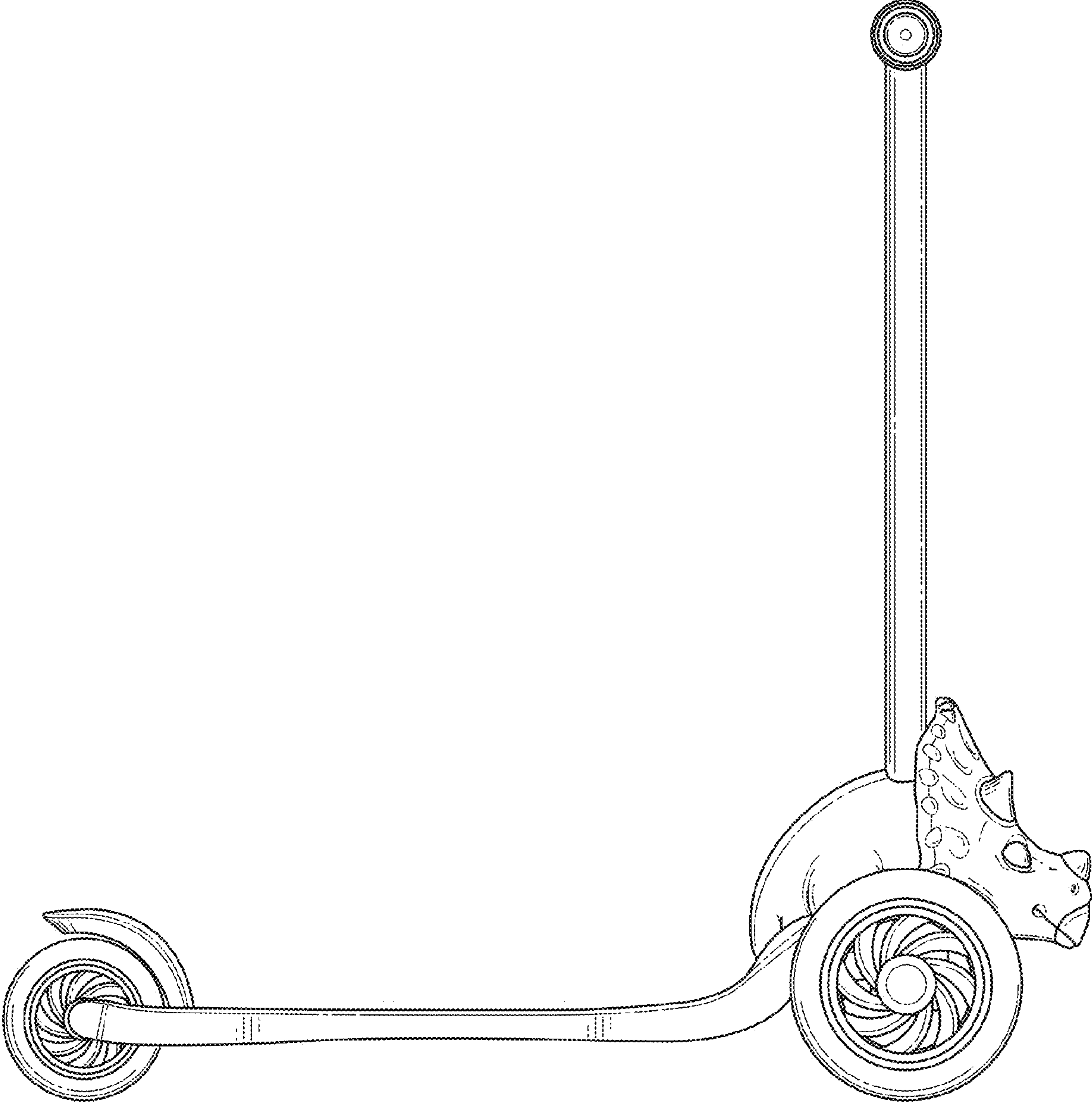


FIG. 5

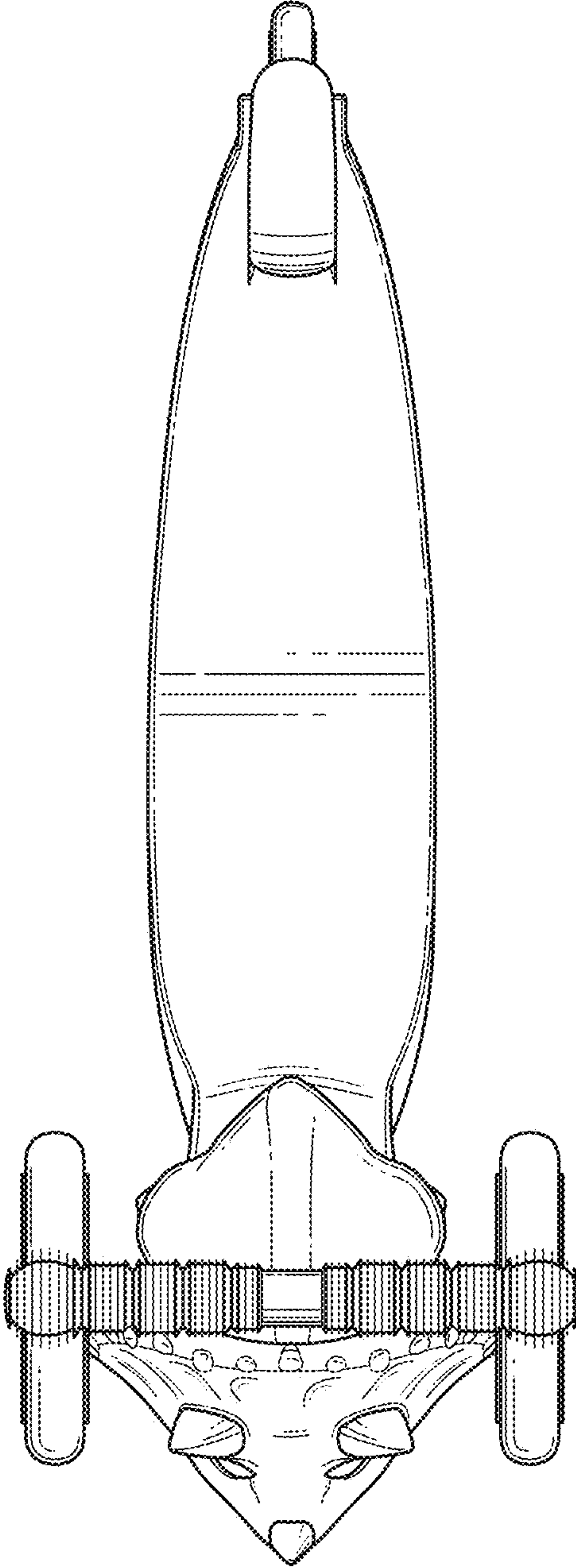


FIG. 6

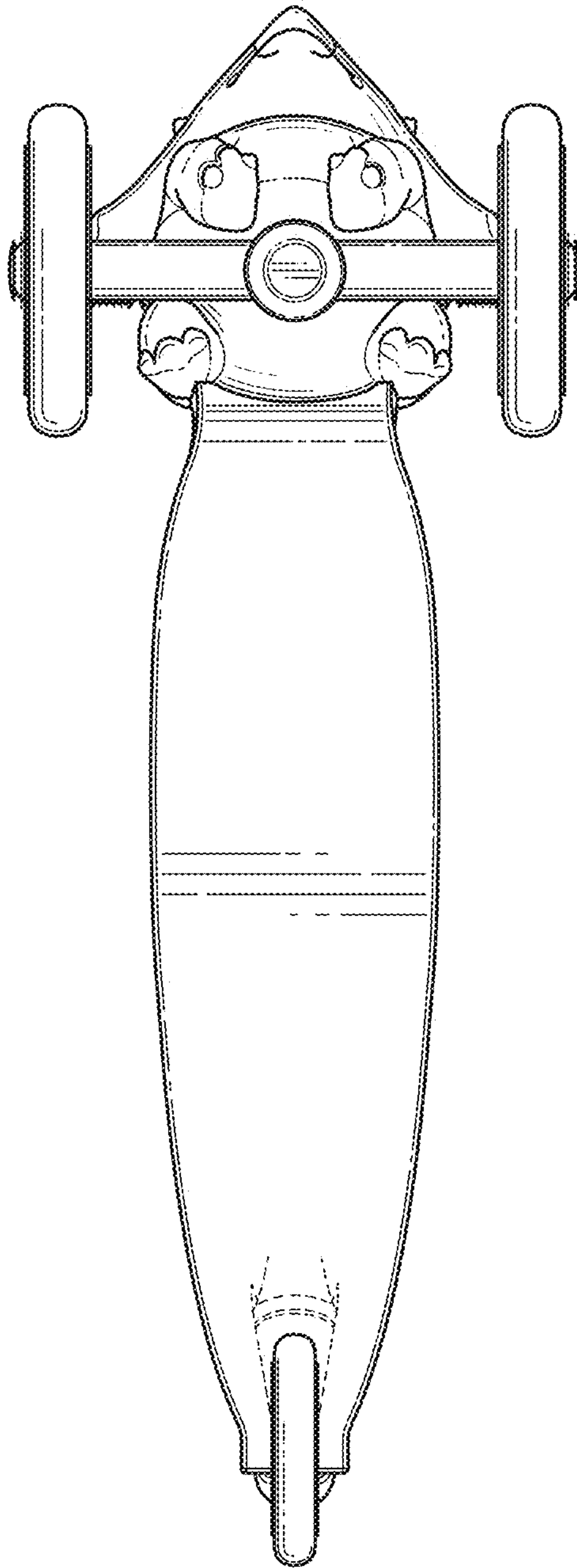


FIG. 7