



US00D930753S

(12) **United States Design Patent** (10) **Patent No.:** **US D930,753 S**
Rynda et al. (45) **Date of Patent:** **** Sep. 14, 2021**

(54) **HAND FORMING SHUFFLER**
(71) Applicant: **AGS LLC**, Las Vegas, NV (US)
(72) Inventors: **Robert John Rynda**, Las Vegas, NV (US); **Andrew James Jacobs**, Maple Plain, MN (US); **John Paul Anton**, Lakeville, MN (US); **Adam Walter Hungerbuhler**, Brooklyn Park, MN (US); **Craig Walter Oeding**, Waconia, MN (US)

2,717,782 A 9/1955 Droll
2,727,747 A 12/1955 Semisch
2,753,185 A 7/1956 Edward
2,755,090 A 7/1956 Aldrich
(Continued)

FOREIGN PATENT DOCUMENTS

EP 3194039 A2 7/2017
JP 2001327647 A 11/2001
(Continued)

OTHER PUBLICATIONS

i-Deal Plus: All the Speed and Benefits of the Original, Plus More!
(Continued)

Primary Examiner — George D. Kirschbaum
Assistant Examiner — Joseph J Kukella
(74) *Attorney, Agent, or Firm* — Kerr IP Group, LLC

(73) Assignee: **AGS LLC**, Las Vegas, NV (US)
(**) Term: **15 Years**
(21) Appl. No.: **29/759,718**
(22) Filed: **Nov. 24, 2020**

Related U.S. Application Data

(63) Continuation of application No. 29/700,608, filed on Aug. 2, 2019, now Pat. No. Des. 903,771.
(51) **LOC (13) Cl.** **21-01**
(52) **U.S. Cl.**
USPC **D21/396**
(58) **Field of Classification Search**
USPC D21/392–396
CPC A63F 1/08; A63F 1/10; A63F 1/12; A63F 1/14
See application file for complete search history.

(57) **CLAIM**

We claim the ornamental design for a hand forming shuffler, as shown and described.

DESCRIPTION

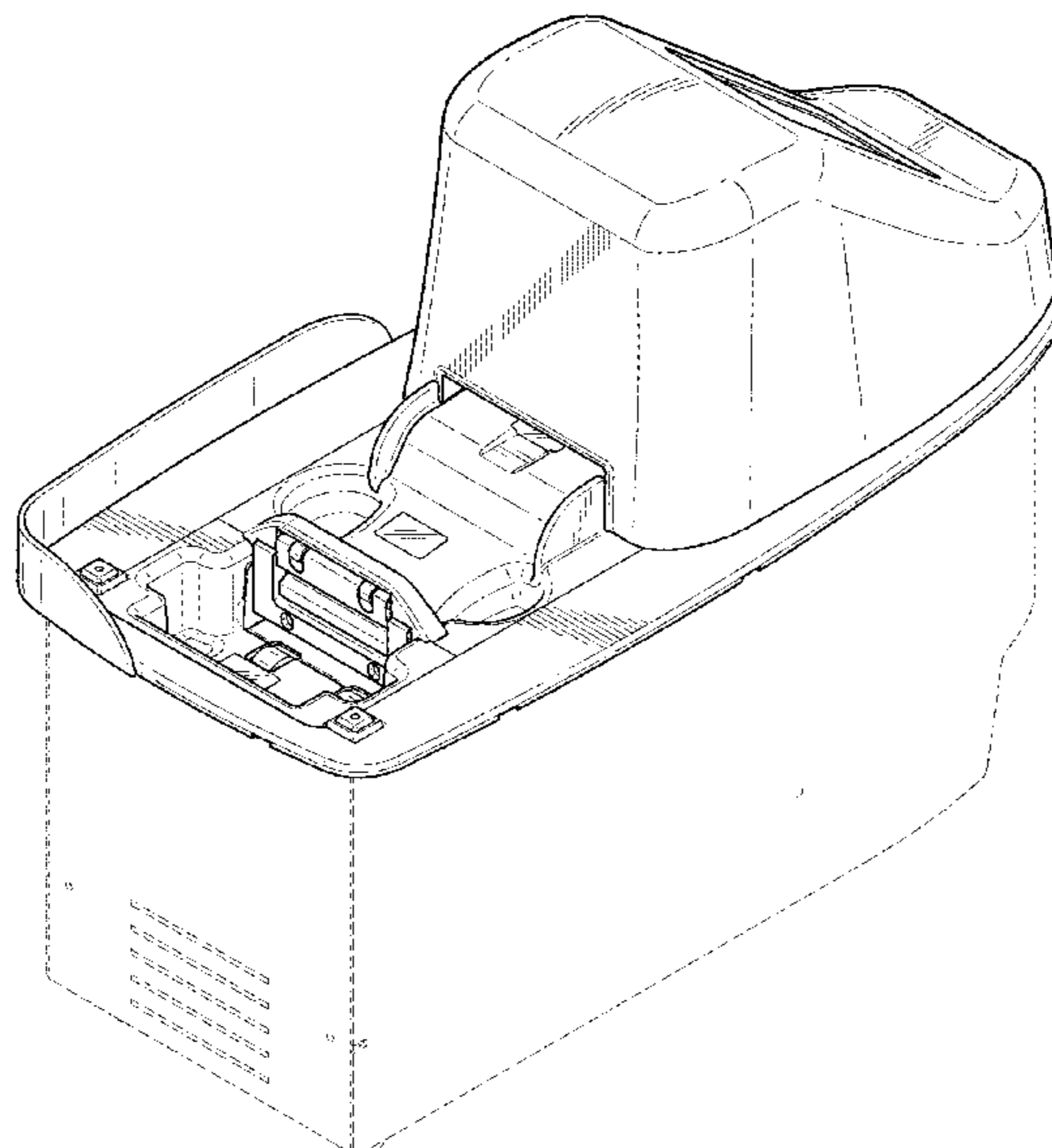
FIG. 1 shows an isometric front view of the hand forming shuffler mounted on a table.
FIG. 2 shows an isometric front view of the hand forming shuffler.
FIG. 3 shows an isometric rear view of the hand forming shuffler.
FIG. 4 shows a front view of the hand forming shuffler.
FIG. 5 shows a side view of the hand forming shuffler.
FIG. 6 shows rear view of the hand forming shuffler.
FIG. 7 shows top view of the hand forming shuffler; and, FIG. 8 shows bottom view of the hand forming shuffler.
In the drawings, the broken lines depict environmental subject matter only and form no part of the claimed design.

(56) **References Cited**

U.S. PATENT DOCUMENTS

1,955,926 A 4/1934 Matthaey
2,159,958 A 5/1939 Erich
2,430,681 A 11/1947 Alvina
2,706,117 A 4/1955 Rudolph
2,711,319 A 6/1955 Earl et al.
2,714,510 A 8/1955 Oppenlander et al.

1 Claim, 8 Drawing Sheets



(56)

References Cited

U.S. PATENT DOCUMENTS

2,815,214	A	12/1957	Hall	7,073,791	B2	7/2006	Grauzer et al.
3,067,885	A	12/1962	Kohler	7,137,627	B2	11/2006	Grauzer et al.
3,147,978	A	9/1964	Emanuel	7,234,698	B2	6/2007	Grauzer et al.
3,305,237	A	2/1967	Granius	7,255,344	B2	8/2007	Grauzer et al.
3,588,116	A	6/1971	Miura	7,322,576	B2	1/2008	Grauzer et al.
3,589,730	A	6/1971	Slay	7,338,044	B2	3/2008	Grauzer et al.
D224,658	S	8/1972	Cole et al.	7,341,510	B2	3/2008	Bourbour et al.
3,975,010	A	8/1976	Schisselbauer et al.	7,384,044	B2	6/2008	Grauzer et al.
4,033,502	A	7/1977	Rothchild	7,413,191	B2	8/2008	Grauzer et al.
4,151,410	A	4/1979	McMillan et al.	D578,577	S	10/2008	Toyama
4,310,160	A	1/1982	Willette et al.	7,523,935	B2	4/2009	Grauzer et al.
D269,628	S	7/1983	Willette et al.	7,523,936	B2	4/2009	Grauzer et al.
4,497,488	A	2/1985	Plevyak et al.	7,544,078	B1	6/2009	Liu et al.
4,513,969	A	4/1985	Samsel	7,556,266	B2	7/2009	Blaha et al.
4,515,367	A	5/1985	Howard	7,568,489	B2	8/2009	Lee et al.
4,534,562	A	8/1985	Cuff et al.	7,644,923	B1	1/2010	Dickinson et al.
4,586,712	A	5/1986	Lorber et al.	7,661,676	B2	2/2010	Smith et al.
4,659,082	A	4/1987	Greenberg	7,702,635	B2	4/2010	Horvitz et al.
4,770,421	A	9/1988	Hoffman	D615,600	S	5/2010	Scheper et al.
4,807,884	A	2/1989	Breeding	7,764,836	B2	7/2010	Downs et al.
4,832,342	A	5/1989	Plevyak et al.	7,766,332	B2	8/2010	Grauzer et al.
4,951,950	A	8/1990	Normand et al.	7,784,790	B2	8/2010	Grauzer et al.
4,969,648	A	11/1990	Hollinger et al.	7,815,189	B1	10/2010	Jenkins, Jr.
5,000,453	A	3/1991	Stevens et al.	7,854,430	B2	12/2010	Toyama
5,096,197	A	3/1992	Embury	7,897,424	B2	3/2011	Park
5,261,667	A	11/1993	Breeding	7,971,881	B2	7/2011	Toyama et al.
5,344,146	A	9/1994	Lee	8,011,661	B2	9/2011	Stasson
5,356,145	A	10/1994	Verschoor	D646,238	S	10/2011	Jang et al.
5,382,024	A	1/1995	Blaha	D646,338	S	10/2011	Scheper et al.
5,397,133	A	3/1995	Penzias	RE42,944	E	11/2011	Blaha et al.
5,431,399	A	7/1995	Kelley	8,109,514	B2	2/2012	Toyama
5,435,830	A	7/1995	Senda et al.	8,191,894	B2	6/2012	Grauzer et al.
5,445,377	A	8/1995	Steinbach	D663,785	S	7/2012	Walsh et al.
5,575,475	A	11/1996	Steinbach	8,210,535	B2	7/2012	Grauzer et al.
5,584,483	A	12/1996	Sines et al.	8,342,525	B2	1/2013	Scheper et al.
5,676,372	A	10/1997	Sines et al.	8,342,526	B1	1/2013	Sampson et al.
5,683,085	A	11/1997	Johnson et al.	8,366,109	B2	2/2013	Soltys
5,692,748	A	12/1997	Frisco et al.	8,419,521	B2	4/2013	Grauzer et al.
5,695,189	A	12/1997	Breeding et al.	8,469,360	B2	6/2013	Sines
5,718,427	A	2/1998	Cranford et al.	8,505,916	B2	8/2013	Grauzer et al.
5,770,533	A	6/1998	Franchi	8,511,684	B2	8/2013	Grauzer et al.
5,779,546	A	7/1998	Meissner et al.	8,579,289	B2	11/2013	Rynda et al.
5,944,310	A	8/1999	Johnson et al.	8,602,416	B2	12/2013	Toyama
D414,527	S	9/1999	Tedham	8,616,552	B2	12/2013	Czyzewski et al.
5,989,122	A	11/1999	Roblejo	8,628,086	B2	1/2014	Krenn et al.
6,019,368	A	2/2000	Sines et al.	8,646,779	B2	2/2014	Grauzer et al.
6,068,258	A	5/2000	Breeding et al.	8,651,485	B2	2/2014	Stasson
D432,588	S	10/2000	Tedham	8,702,101	B2	4/2014	Scheper et al.
6,139,014	A	10/2000	Breeding et al.	D705,364	S	5/2014	Miller et al.
6,149,154	A	11/2000	Grauzer et al.	8,720,892	B2	5/2014	Sines
6,250,632	B1	6/2001	Albrecht	8,777,710	B2	7/2014	Grauzer et al.
6,254,096	B1	7/2001	Grauzer et al.	8,814,164	B2	8/2014	Baker et al.
6,299,167	B1	10/2001	Sines et al.	8,820,745	B2	9/2014	Grauzer et al.
6,325,373	B1	12/2001	Breeding et al.	8,844,931	B2	9/2014	Blaha et al.
D465,082	S	11/2002	Hassett	8,899,587	B2	12/2014	Grauzer et al.
6,568,678	B2	5/2003	Breeding et al.	8,944,904	B2	2/2015	Grauzer et al.
6,588,750	B1	7/2003	Grauzer et al.	8,960,674	B2	2/2015	Stasson et al.
6,588,751	B1	7/2003	Grauzer et al.	8,992,323	B2	3/2015	Kelly et al.
6,629,894	B1	10/2003	Purton	8,998,211	B2	4/2015	Grauzer et al.
6,651,895	B1	11/2003	Kadle et al.	9,153,093	B2	10/2015	Hartley
6,651,981	B2	11/2003	Grauzer et al.	9,162,138	B2	10/2015	Grauzer et al.
6,651,982	B2	11/2003	Grauzer et al.	9,220,971	B2	12/2015	Rynda et al.
6,655,684	B2	12/2003	Grauzer et al.	9,220,972	B2	12/2015	Grauzer et al.
6,659,460	B2	12/2003	Blaha et al.	9,233,298	B2	1/2016	Sines
D485,314	S	1/2004	Collins	9,240,888	B2	1/2016	Crowder, Jr. et al.
6,676,127	B2	1/2004	Johnson et al.	9,259,640	B2	2/2016	Grauzer et al.
6,698,756	B1	3/2004	Baker et al.	9,266,012	B2	2/2016	Grauzer et al.
D488,193	S	4/2004	Girard	9,320,964	B2	4/2016	Wadds et al.
D490,481	S	5/2004	Hessing	9,333,415	B2	5/2016	Hessing et al.
6,886,829	B2	5/2005	Hessing et al.	9,339,723	B2	5/2016	Grauzer et al.
6,889,979	B2	5/2005	Blaha et al.	9,345,951	B2	5/2016	Czyzewski et al.
D506,395	S	6/2005	Coles et al.	9,345,952	B2	5/2016	Blaha et al.
6,952,542	B1	10/2005	Morikawa	9,378,766	B2	6/2016	Kelly et al.
6,959,955	B2	11/2005	Carter et al.	9,387,390	B2	7/2016	Downs et al.
7,059,602	B2	6/2006	Grauzer et al.	D764,599	S	8/2016	Tedham
				9,474,957	B2	10/2016	Haushalter et al.
				9,504,905	B2	11/2016	Kelly et al.
				9,511,274	B2	12/2016	Kelly et al.
				9,539,494	B2	1/2017	Sines et al.

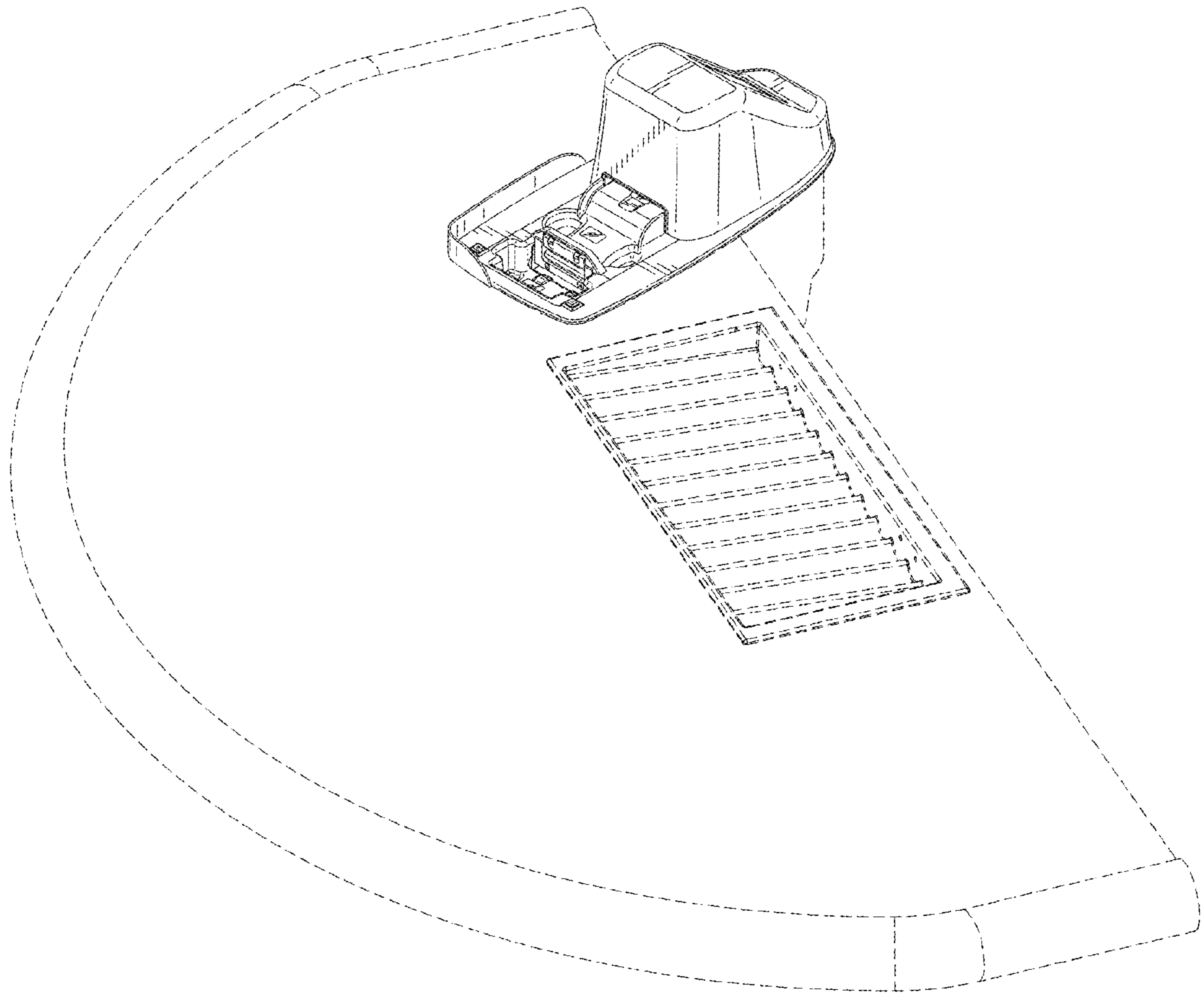
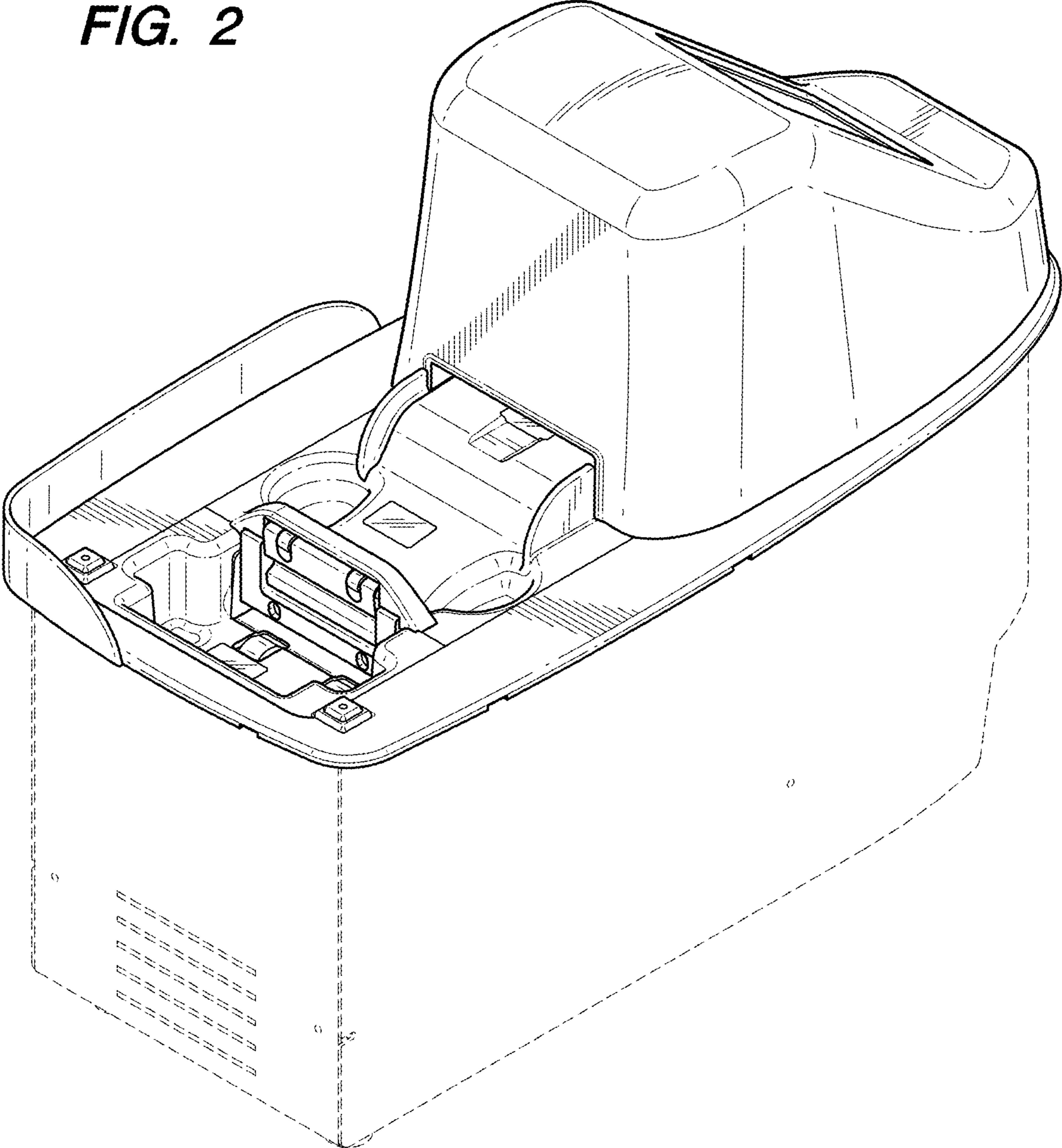


FIG. 1

FIG. 2



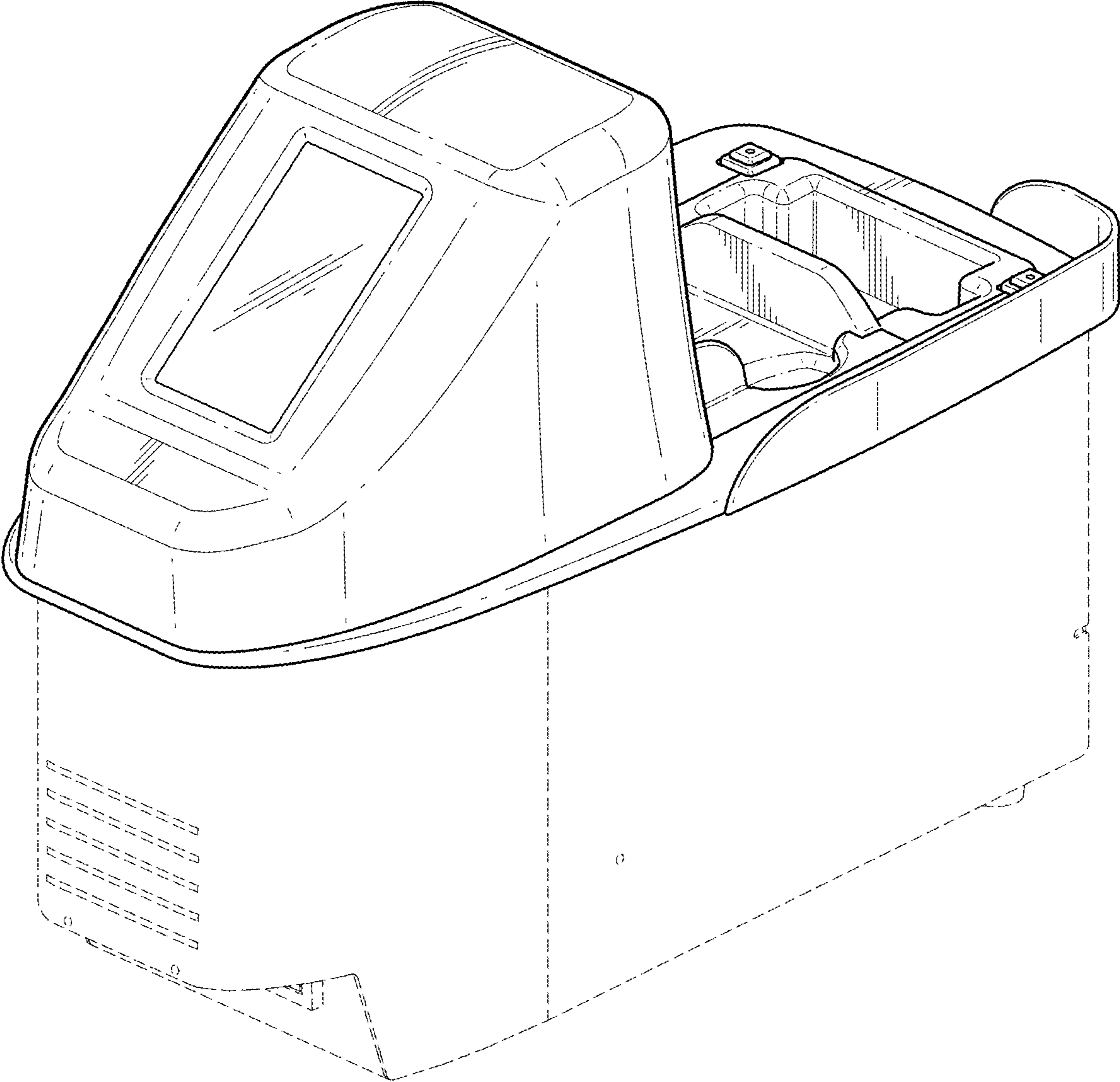


FIG. 3

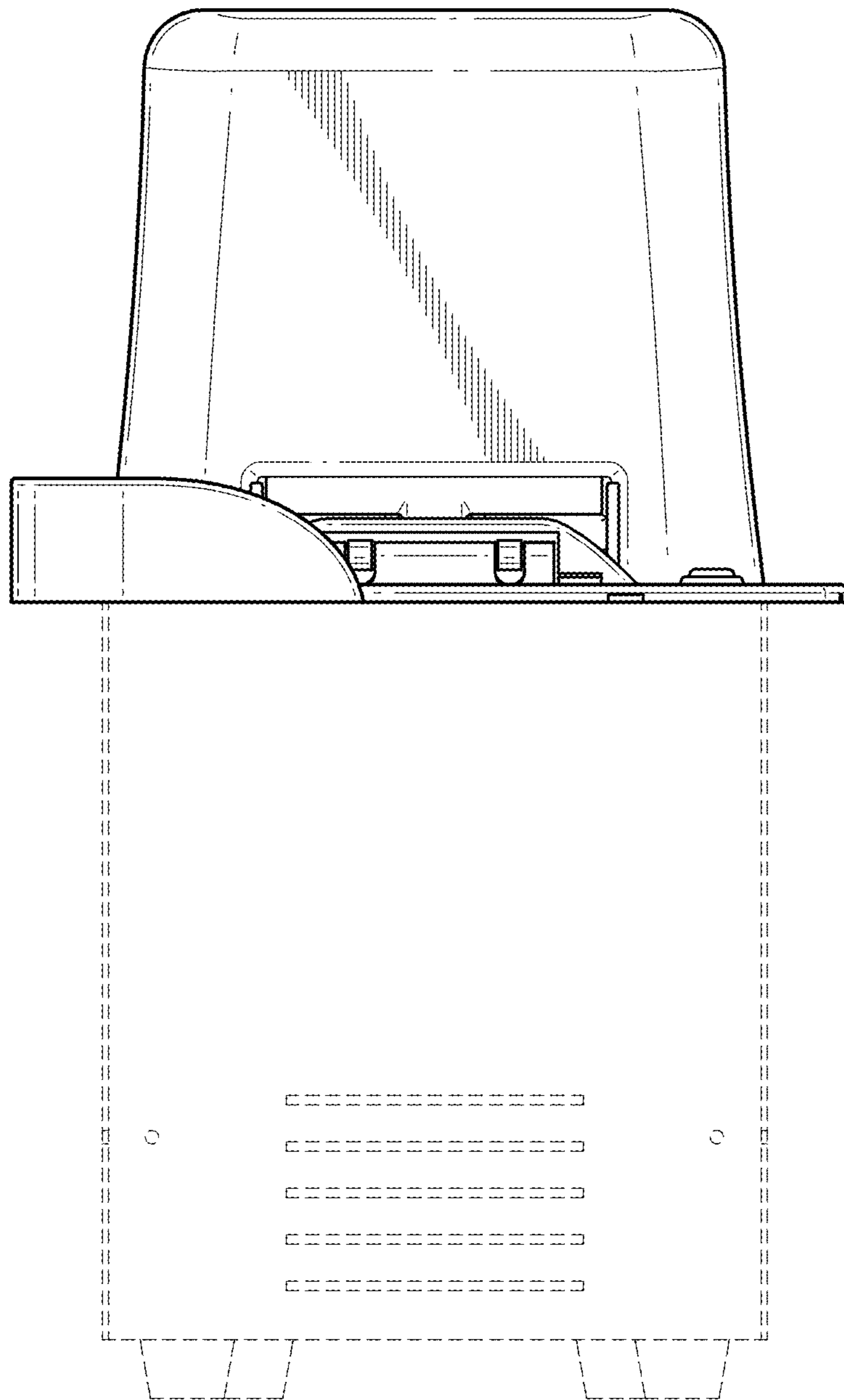


FIG. 4

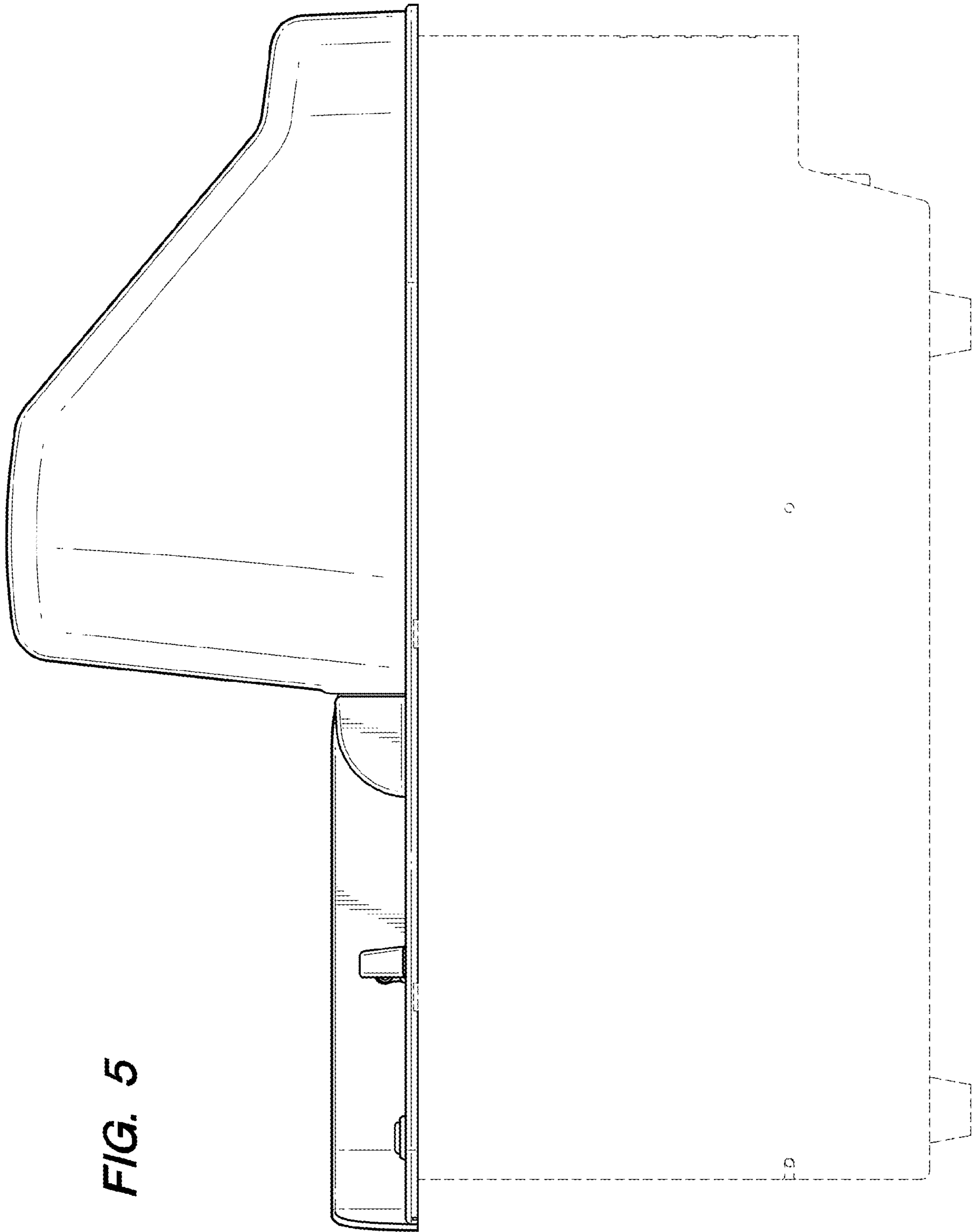


FIG. 5

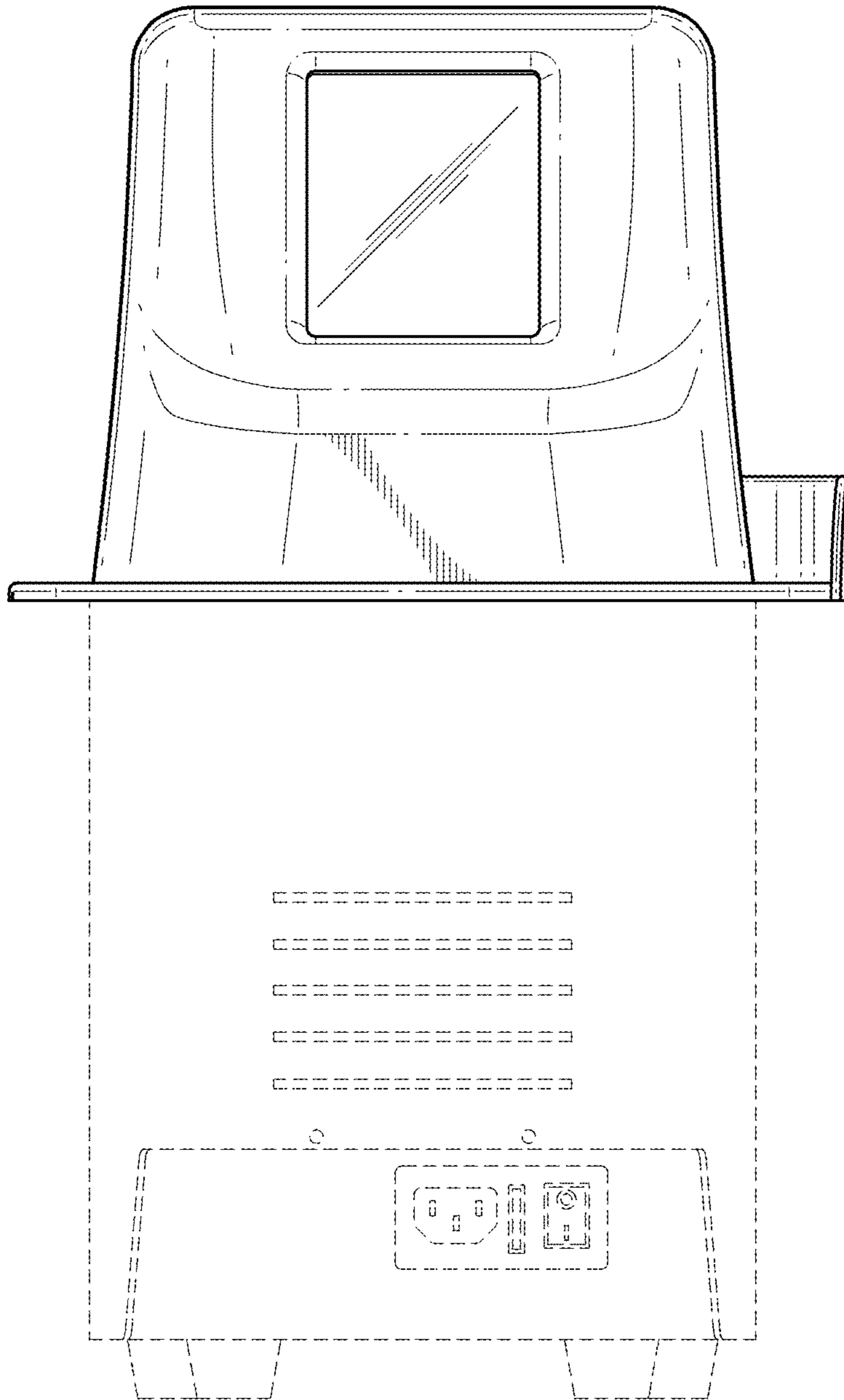


FIG. 6

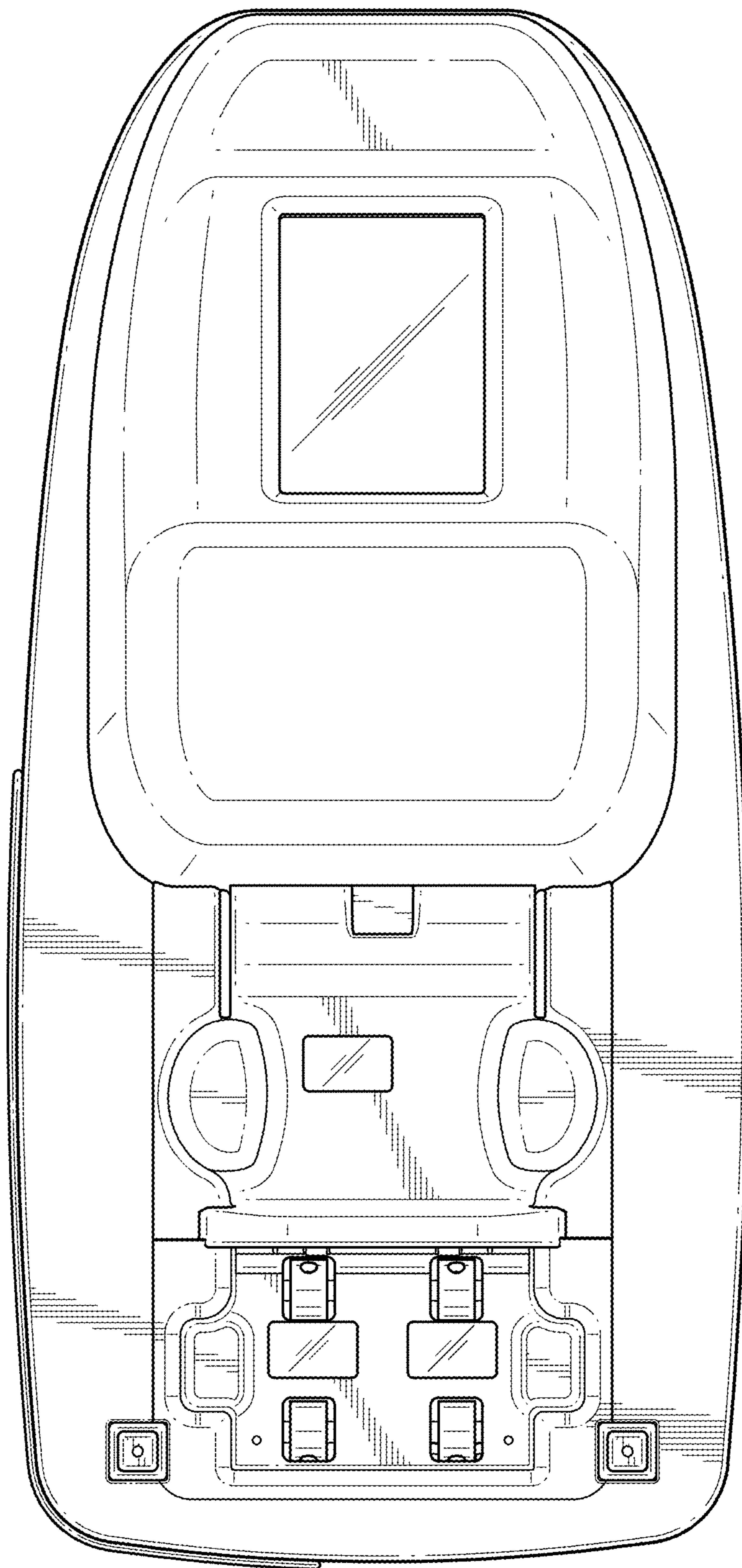


FIG. 7

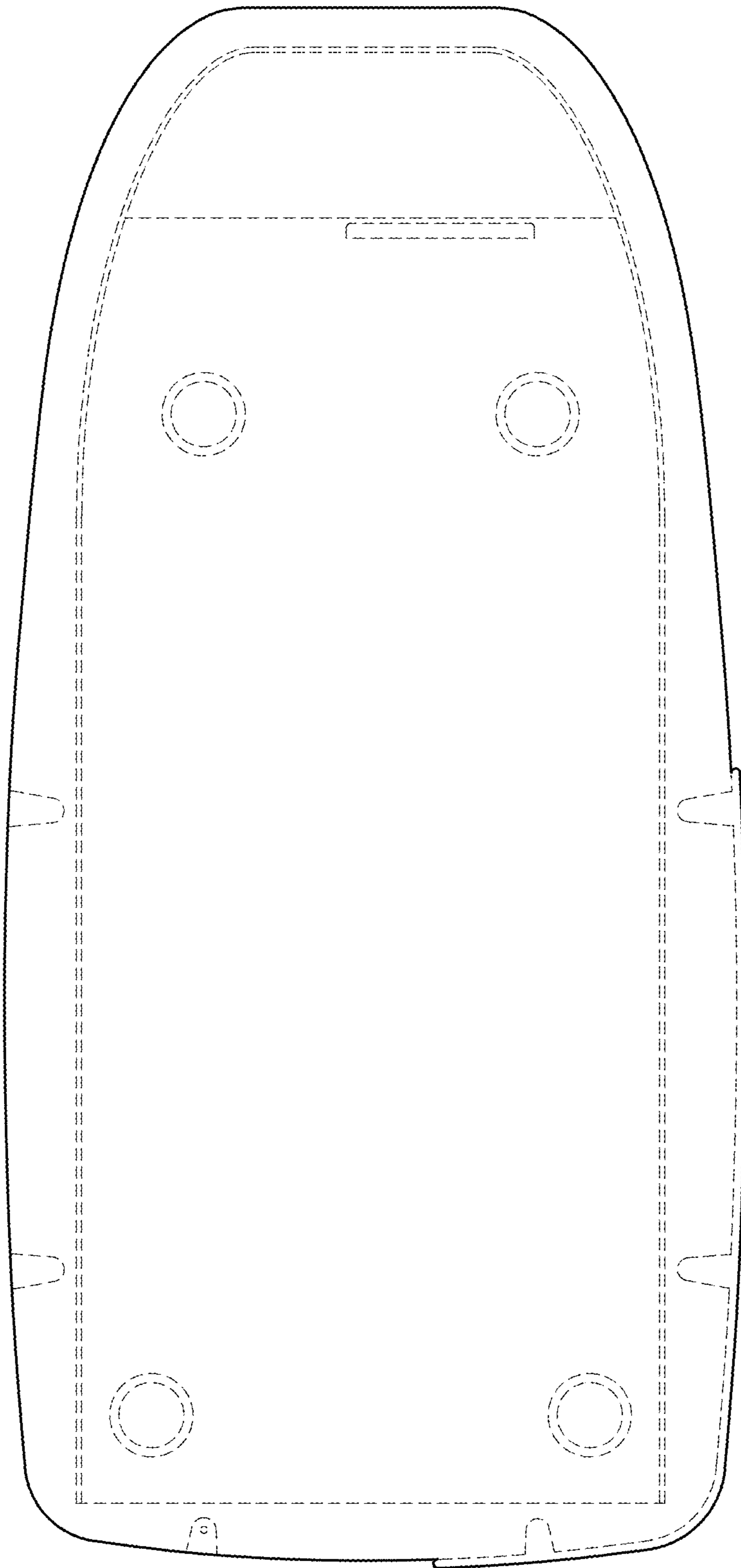


FIG. 8