



US00D930748S

(12) **United States Design Patent**
Ghahramanian

(10) **Patent No.:** **US D930,748 S**

(45) **Date of Patent:** **** Sep. 14, 2021**

(54) **STEERING WHEEL HAVING PEDAL STAND**

(71) Applicant: **Next Level Racing Simulations Pty Ltd, Southport (AU)**

(72) Inventor: **Hessam Ghahramanian, Benowa (AU)**

(73) Assignee: **NEXT LEVEL RACING SIMULATIONS PTY LTD, Southport (AU)**

(**) Term: **15 Years**

(21) Appl. No.: **29/716,199**

(22) Filed: **Dec. 6, 2019**

(30) **Foreign Application Priority Data**

Jun. 7, 2019 (AU) 201913164

(51) **LOC (13) Cl.** **21-01**

(52) **U.S. Cl.**
USPC **D21/326**

(58) **Field of Classification Search**
USPC D21/325, 326, 327, 329, 333, 349, D21/351-355, 366, 369, 370, 371, 385, D21/426, 427, 430, 471, 695, 696, 814; 472/59; 434/55; D6/334, 335, 356, 366, D6/368, 716; D12/112, 861
CPC A63F 13/08; A63F 13/803; A63F 13/28; G09B 9/12; A47C 1/026; A47C 1/143; A47C 7/72; A47C 7/5068
See application file for complete search history.

(56) **References Cited**

U.S. PATENT DOCUMENTS

4,078,757 A * 3/1978 Waters A47B 19/02 108/150
D348,999 S * 7/1994 Bonazza D34/17
D544,923 S * 6/2007 Brase D21/326
D615,596 S * 5/2010 Bik D21/333
D642,222 S * 7/2011 Pezzoni D21/333

D656,553 S * 3/2012 Blaskov D21/326
8,746,156 B2 * 6/2014 Camarillo F16M 11/22 108/150
D730,087 S * 5/2015 Strater D6/656.13
D835,198 S * 12/2018 Berlinches D21/326

(Continued)

OTHER PUBLICATIONS

“Wheel Stand Racer Simulator”, posted Jul. 11, 2019, [retrieved Nov. 16, 2020]. Retrieved from Internet, <https://www.youtube.com/watch?v=gwz8h1UZrm0>.*

Primary Examiner — Sandra Snapp

Assistant Examiner — Mehri Bajoul

(74) *Attorney, Agent, or Firm* — Ferguson Case Orr Paterson

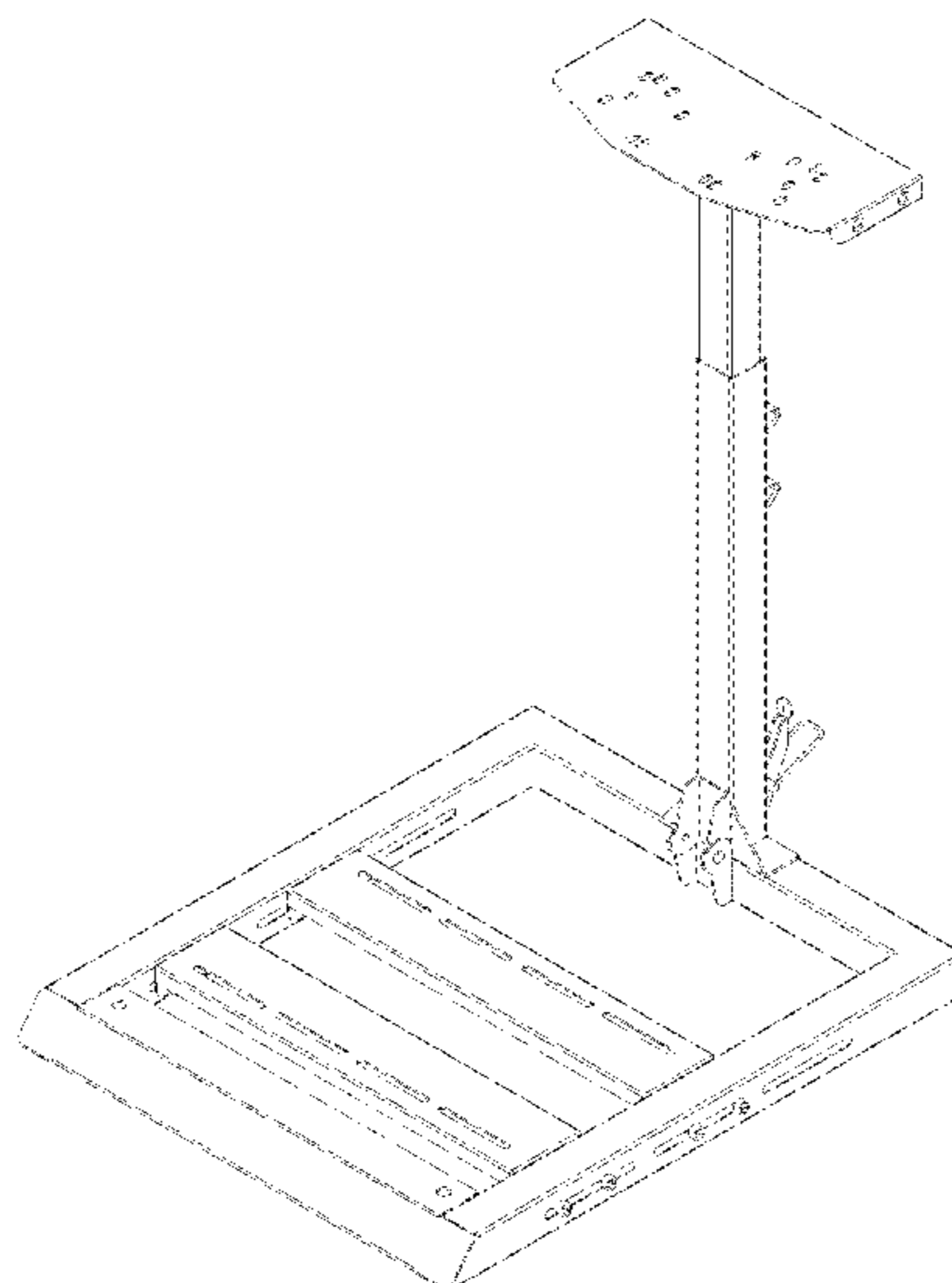
(57) **CLAIM**

The ornamental design for a steering wheel having pedal stand, as shown.

DESCRIPTION

FIG. 1 is a top, front, right side perspective view of a steering wheel having pedal stand according to the present disclosure;
FIG. 2 is a top, rear, left side perspective view of the steering wheel having pedal stand shown in FIG. 1;
FIG. 3 is a front elevation view of the steering wheel having pedal stand shown in FIG. 1;
FIG. 4 is a rear elevation view of the steering wheel having pedal stand shown in FIG. 1;
FIG. 5 is a right side elevation view of the steering wheel having pedal stand shown in FIG. 1;
FIG. 6 is a left side elevation view of the steering wheel having pedal stand shown in FIG. 1;
FIG. 7 is a top plan view of the steering wheel having pedal stand shown in FIG. 1; and,
FIG. 8 is a bottom plan view of steering wheel having pedal stand shown in FIG. 1.

1 Claim, 5 Drawing Sheets



(56)

References Cited

U.S. PATENT DOCUMENTS

D855,338 S * 8/2019 Mengshoel D6/349
D855,368 S * 8/2019 Mengshoel D6/716.1

* cited by examiner

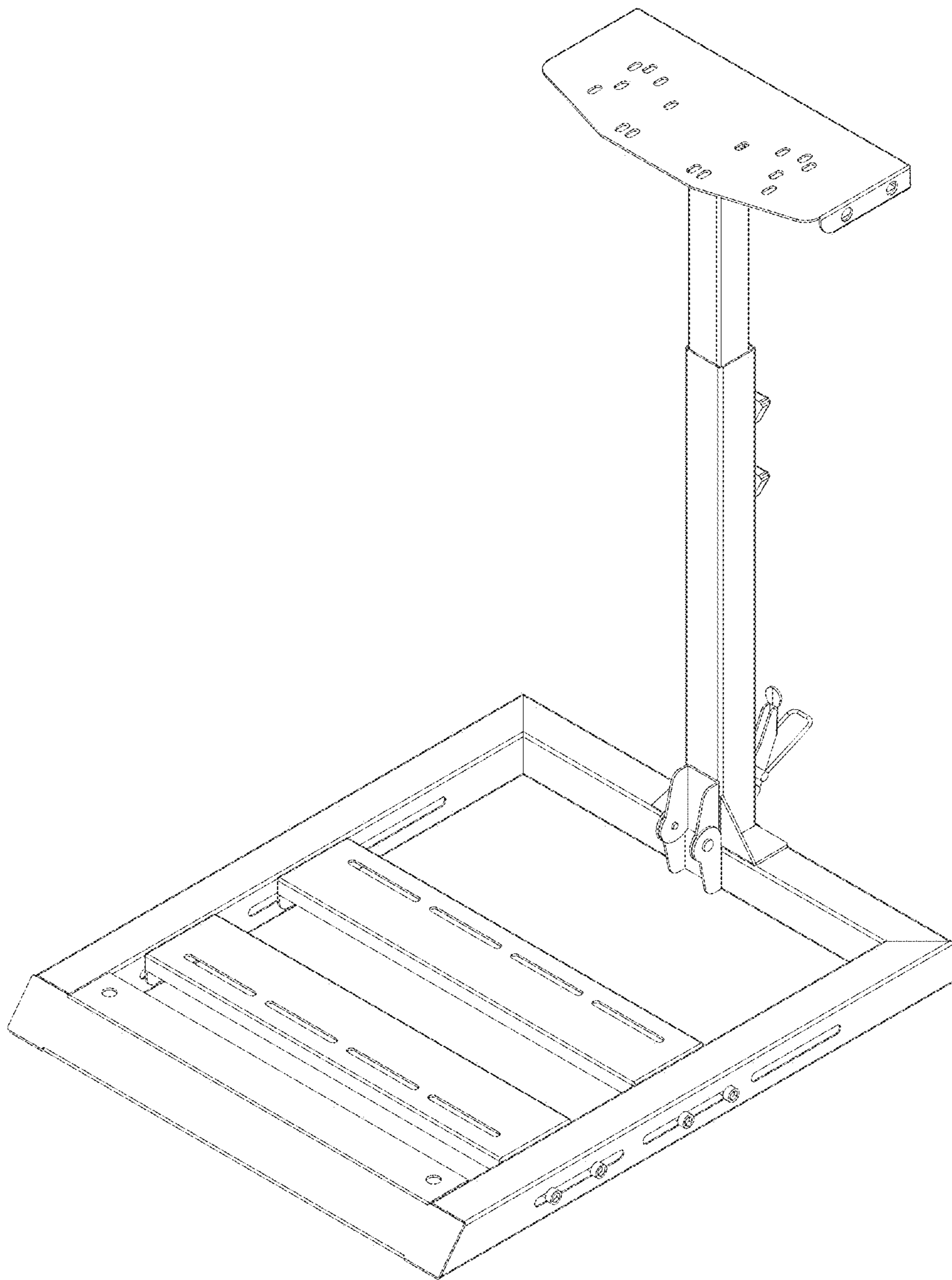


FIG. 1

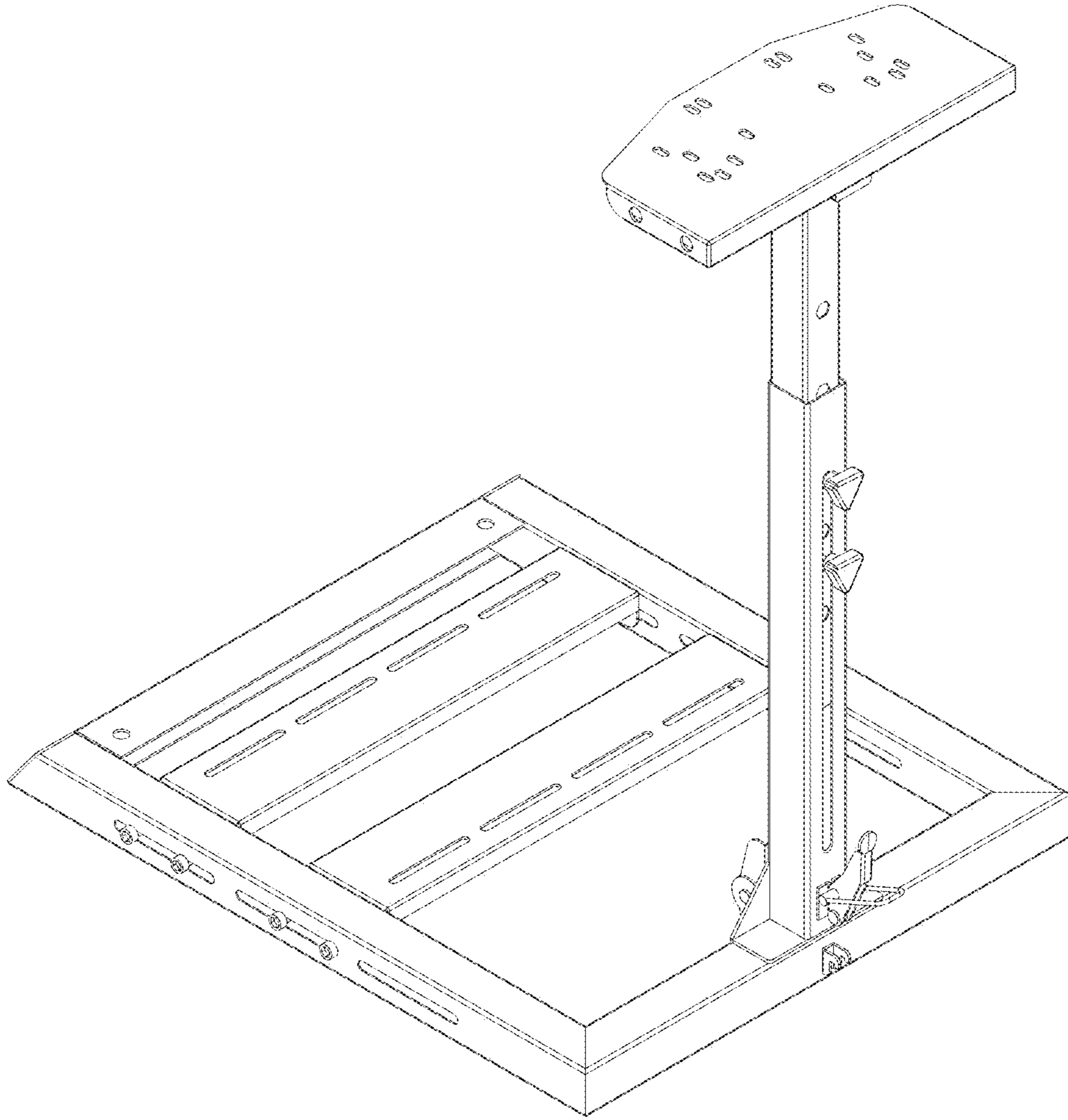


FIG. 2

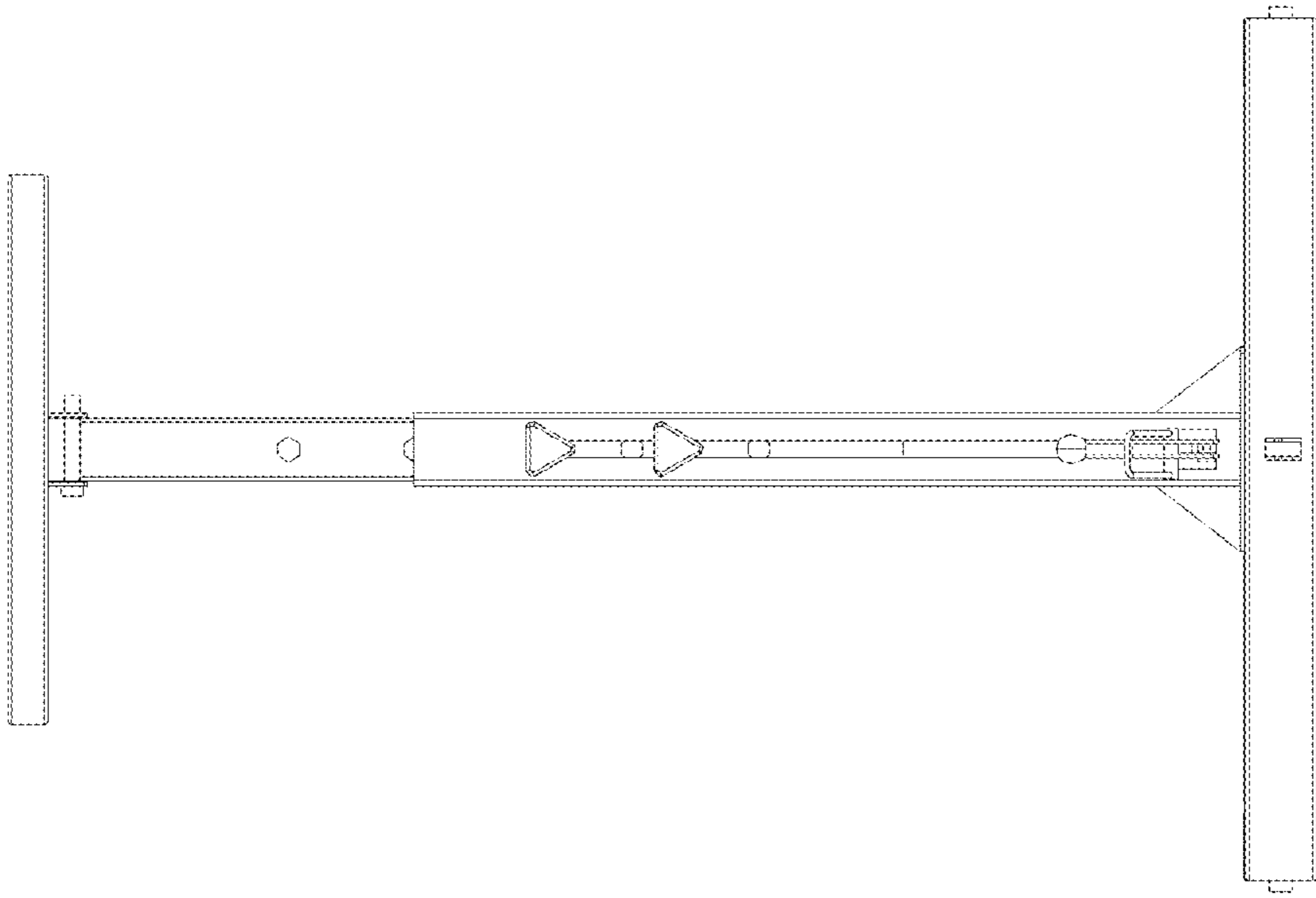


FIG. 4

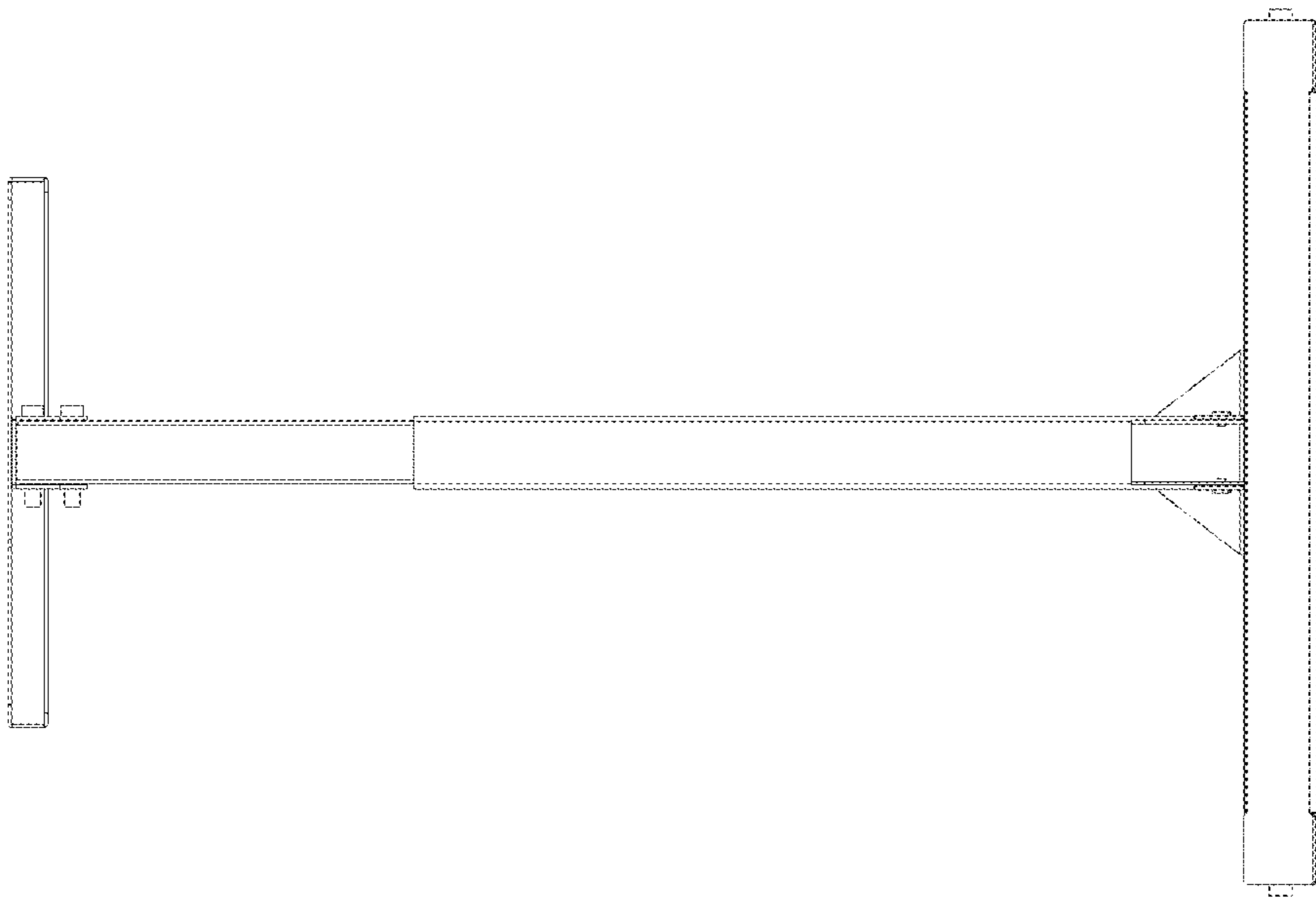


FIG. 3

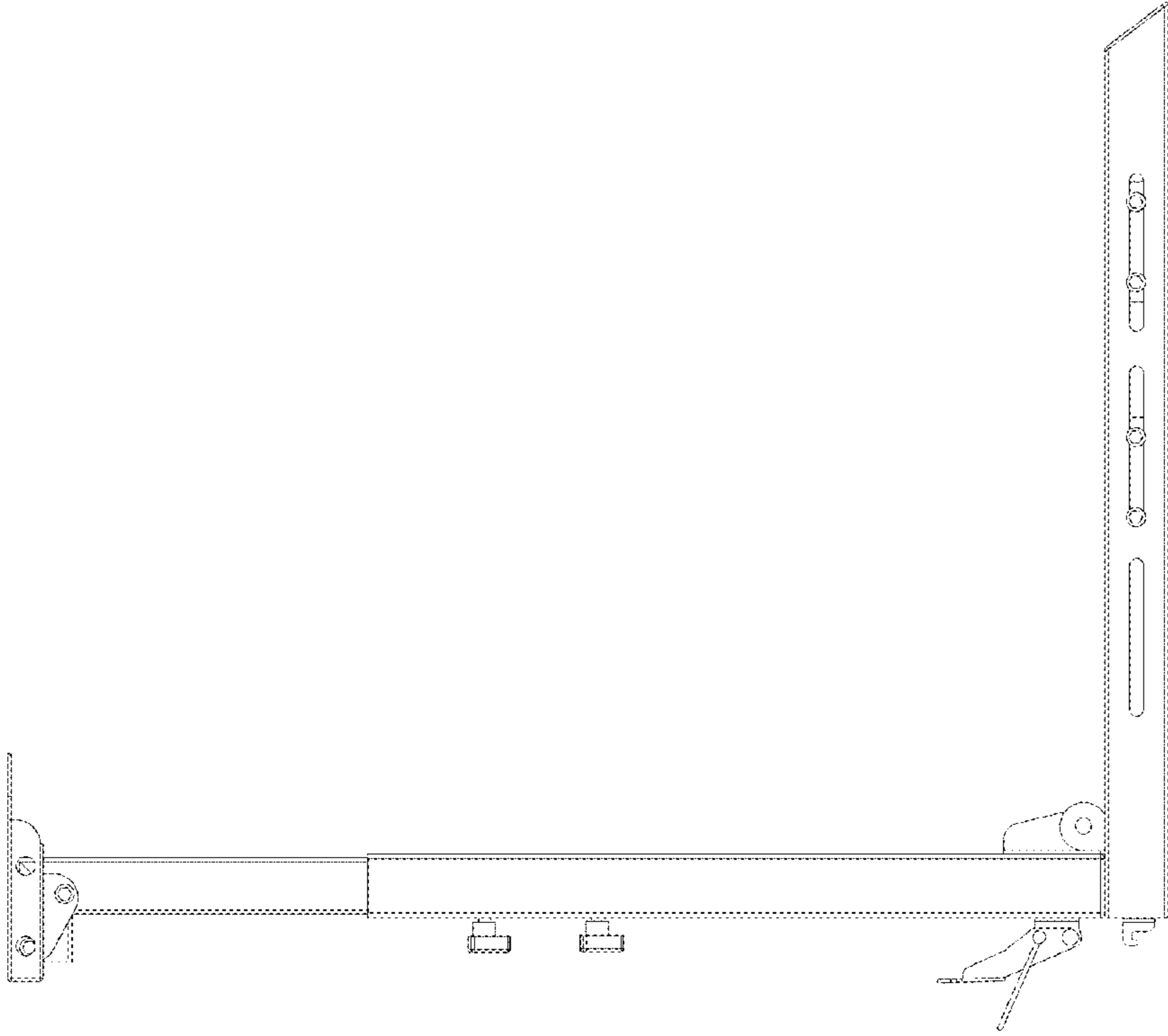


FIG. 5

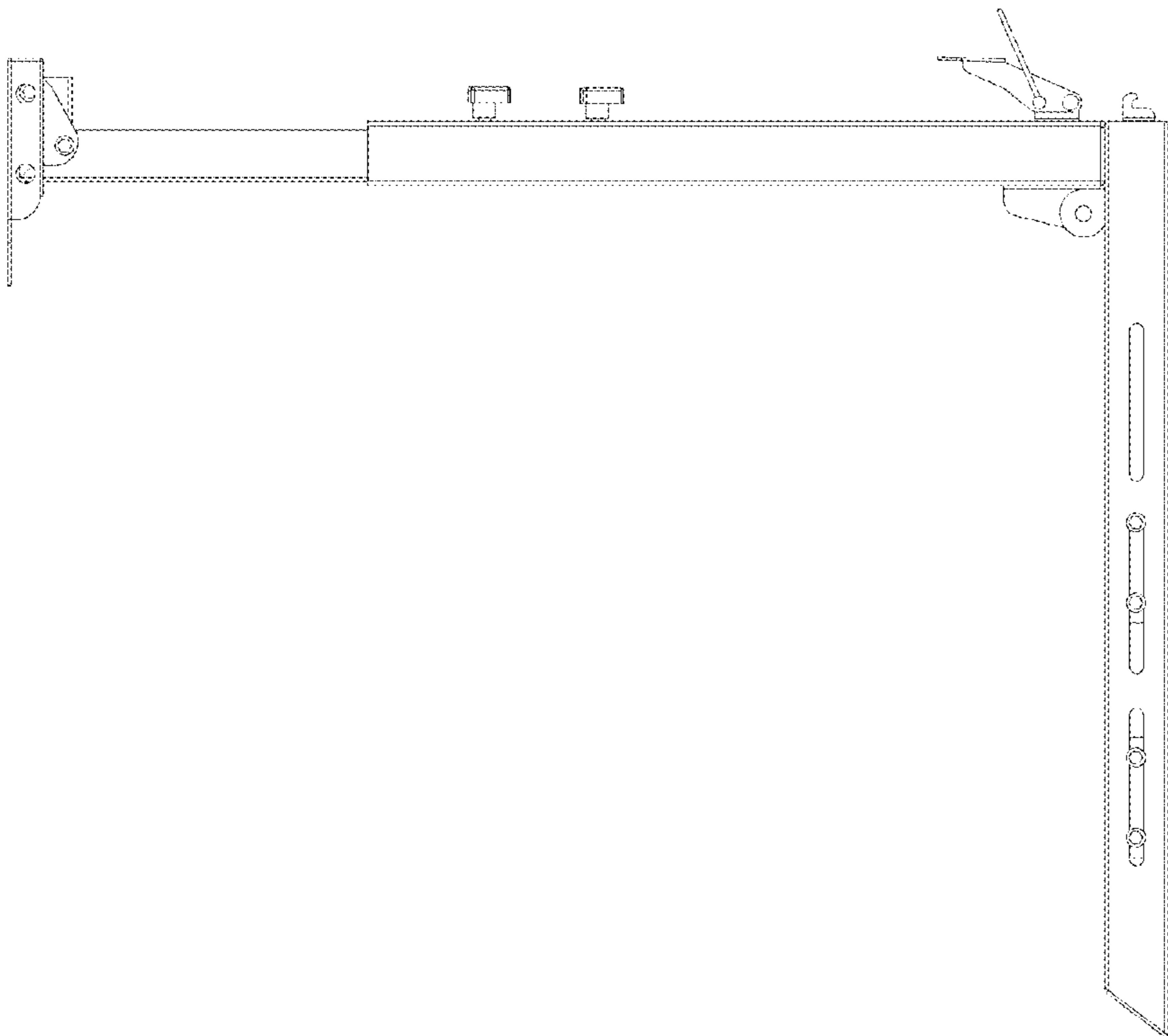


FIG. 6

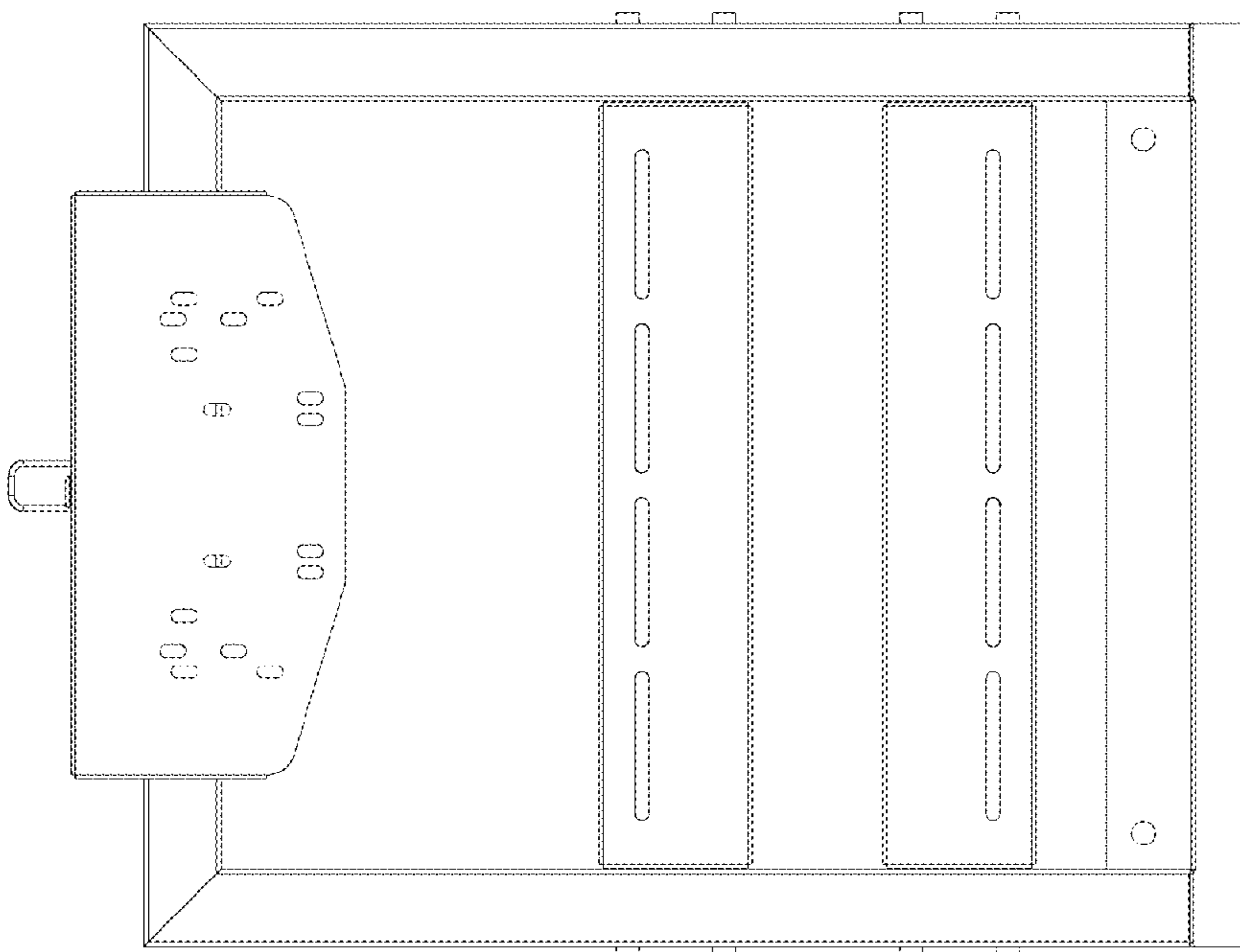


FIG. 7

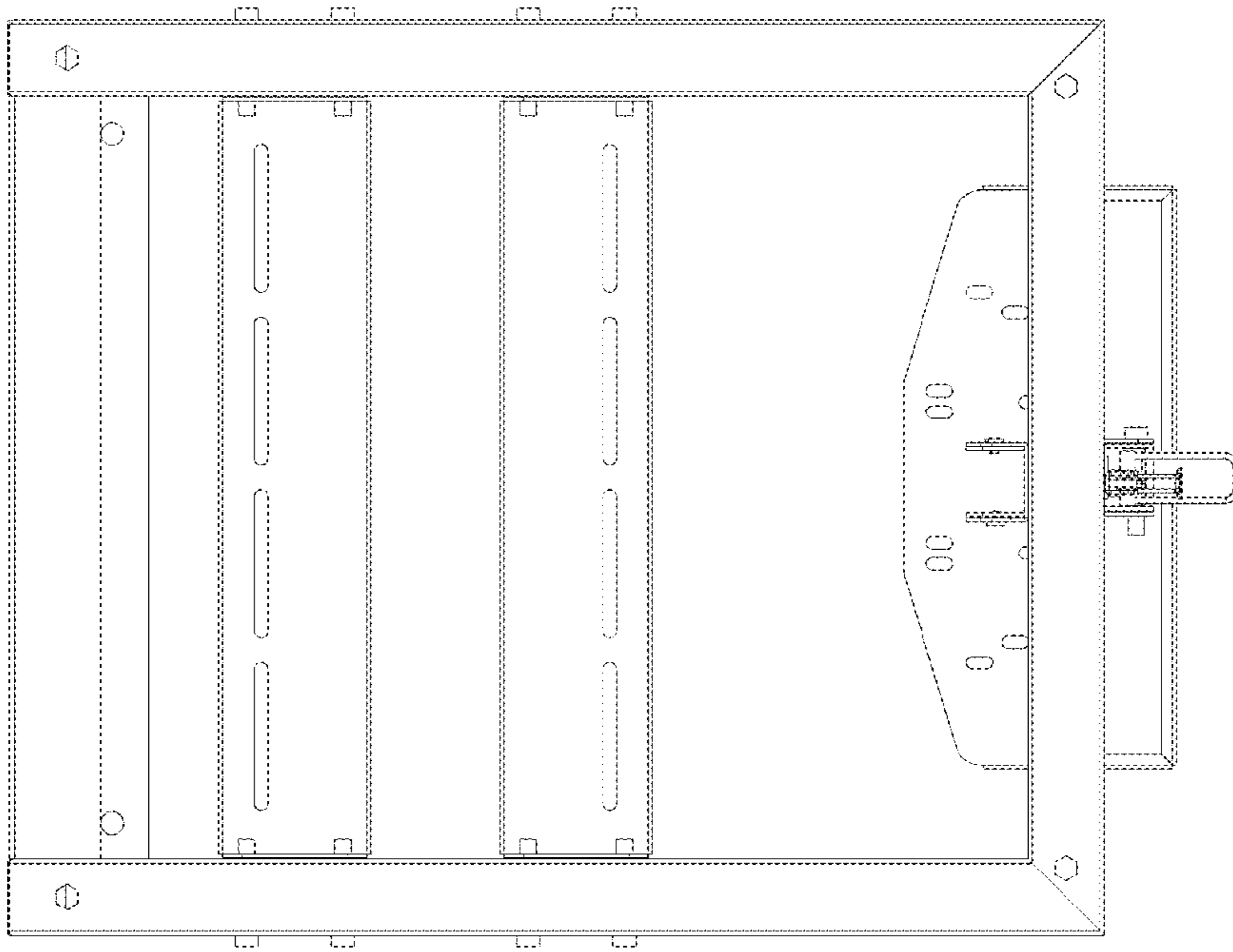


FIG. 8