



US00D930747S

(12) **United States Design Patent** (10) **Patent No.:** **US D930,747 S**  
**Farley** (45) **Date of Patent:** **\*\* Sep. 14, 2021**

(54) **COLLAPSIBLE BILLIARDS TABLE**  
(71) Applicant: **Indian Industries, Inc.**, Evansville, IN (US)

D319,860 S \* 9/1991 Ascher ..... D21/784  
D319,861 S \* 9/1991 Brostoski ..... D21/784  
5,375,837 A 12/1994 Moreau  
5,813,957 A 10/1998 Dadbeh  
(Continued)

(72) Inventor: **Patrick Farley**, Bay Shore, NY (US)  
(73) Assignee: **Indian Industries, Inc.**, Evansville, IN (US)

(\*\*) Term: **15 Years**

(21) Appl. No.: **29/680,812**

(22) Filed: **Feb. 20, 2019**

(51) **LOC (13) Cl.** ..... **21-01**

(52) **U.S. Cl.**  
USPC ..... **D21/316**

(58) **Field of Classification Search**  
USPC ..... D21/300, 301, 302, 303, 304, 312, 316,  
D21/318, 319, 334, 335, 336, 341, 342,  
D21/343, 365, 379, 385, 386, 390, 396,  
D21/699, 789, 790, 791, 793, 794, 397;  
D23/201, 213, 214; D6/302, 309, 310,  
D6/312, 332; 273/317, 317.1, 317.5, 342  
CPC ..... A63B 67/00; A63B 71/00; A63B 63/00;  
A63B 63/08; A63B 67/06

See application file for complete search history.

(56) **References Cited**

U.S. PATENT DOCUMENTS

D27,788 S \* 10/1897 Haskell ..... D21/316  
1,995,543 A 3/1935 Kaser  
D98,533 S \* 2/1936 Lescaze ..... D21/784  
2,057,334 A 10/1936 Hannum  
D160,374 S \* 10/1950 De Voy ..... D21/316  
D174,550 S \* 4/1955 Gunklach ..... D21/784  
3,078,095 A 2/1963 Wolf  
D213,298 S \* 2/1969 Porter ..... D21/784  
D214,674 S \* 7/1969 Schaefer ..... D21/784  
D219,390 S \* 12/1970 Johnson ..... D21/316  
3,567,222 A 3/1971 Robins  
D247,127 S \* 1/1978 Kavka ..... D21/318  
D315,007 S \* 2/1991 Monneret ..... D21/784

OTHER PUBLICATIONS

“The foldaway 5' billiard table”, published Apr. 29, 2020, [Retrieved May 6, 2020] from internet:https://www.hammacher.com/product/foldaway-5-billiards-table?cm\_cat=ProductSEM&cm\_pla=AdWordsPLA&source=PRODSEM&gclid=EAlalQobChMlgtbbi6qg6QlViJWzCh2eYgRxEAQYAiABEgl3F\_D\_BwE#.\*

(Continued)

*Primary Examiner* — Sandra Snapp  
*Assistant Examiner* — Mehri Bajoul  
(74) *Attorney, Agent, or Firm* — Woodard, Emhardt, Henry, Reeves & Wagner, LLP

(57) **CLAIM**

The ornamental design for a collapsible billiards table, as shown and described.

**DESCRIPTION**

FIG. 1 is a perspective view of a collapsible billiards table. FIG. 2 is a top view of the collapsible billiards table shown separately for ease illustration and with the pockets shown in broken lines.

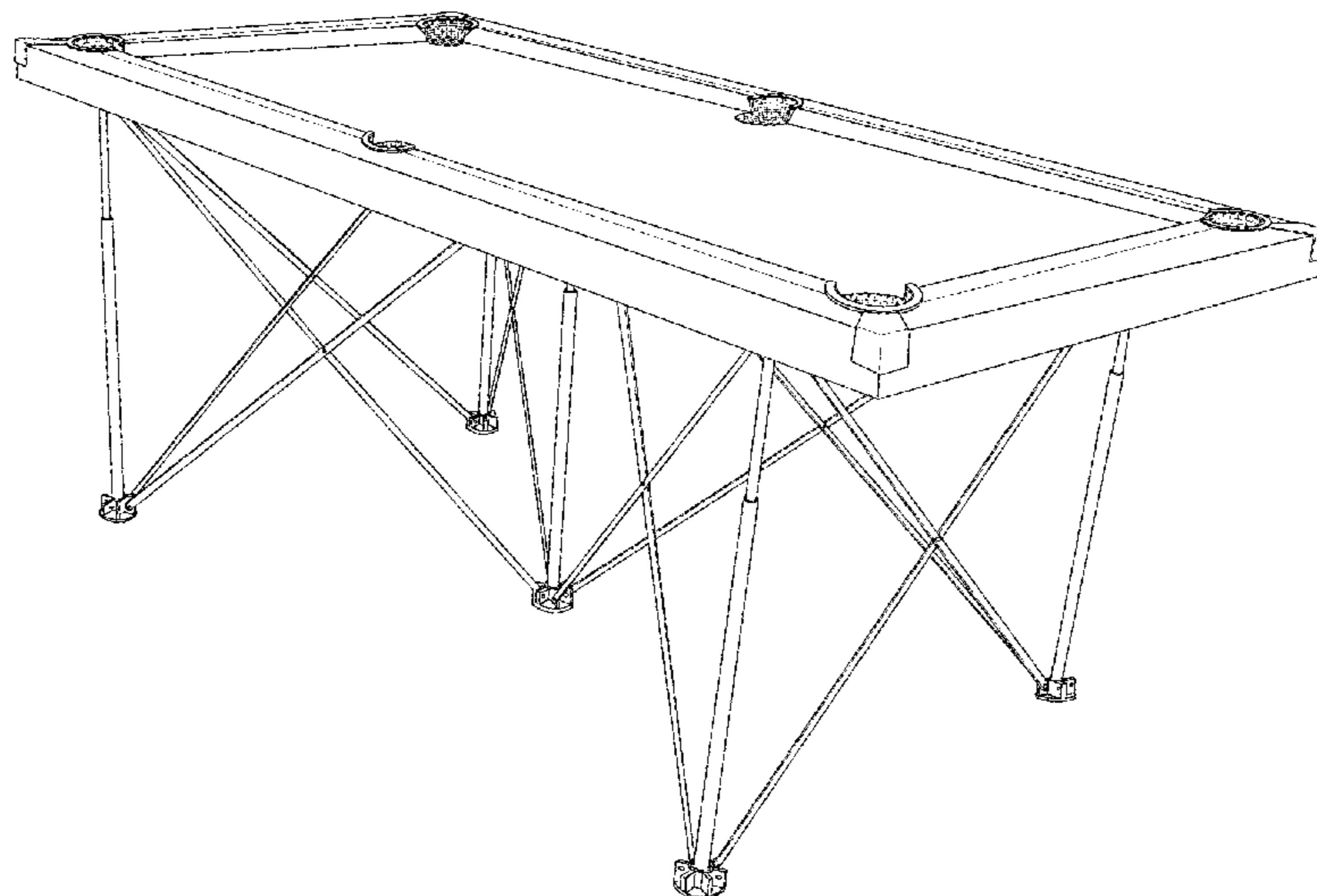
FIG. 3 is a side view of the collapsible billiards table with the opposite side being the same.

FIG. 4 is an end view of the collapsible billiards table with the opposite end being a mirror image.

FIG. 5 is an exploded view of the collapsible billiards table with the legs in an expanded top configuration; and, FIG. 6 is an exploded view of the collapsible billiards table with the legs in a collapsed configuration.

The broken lines show the net portions of the collapsible billiard table, and form no part of the claimed design.

**1 Claim, 4 Drawing Sheets**



(56)

References Cited

U.S. PATENT DOCUMENTS

6,564,402 B1 \* 5/2003 Lin ..... A47C 17/645  
24/72.5

6,916,258 B2 7/2005 Dadbeh

6,986,722 B2 1/2006 Dadbeh

7,250,013 B2 7/2007 Hao

7,509,695 B2 3/2009 Zheng

D599,426 S \* 9/2009 Blair ..... D21/784

7,704,170 B2 4/2010 Julian et al.

7,727,091 B2 6/2010 Allen

8,016,288 B1 \* 9/2011 Guridi ..... A63F 7/2472  
273/118 R

8,074,669 B2 \* 12/2011 Collins ..... A47C 19/126  
135/123

D654,204 S \* 2/2012 Friesen ..... D26/73

8,245,332 B2 \* 8/2012 Yul ..... A47C 17/16  
5/111

D676,917 S \* 2/2013 McCormick ..... D21/784

8,959,677 B2 \* 2/2015 Yul ..... A47C 17/64  
5/110

9,021,964 B2 5/2015 Peng

D880,755 S \* 4/2020 Zhao ..... D26/88

2004/0029644 A1 \* 2/2004 Shih ..... A63D 15/00  
473/15

2004/0079261 A1 4/2004 Nally

2005/0221902 A1 \* 10/2005 Chen ..... A63D 15/00  
473/4

2005/0274298 A1 12/2005 Pauliin

2007/0277709 A1 12/2007 Carter

2010/0025934 A1 \* 2/2010 Hassman ..... A63B 63/00  
273/400

2011/0143847 A1 \* 6/2011 Lu ..... A63D 15/00  
473/22

2011/0177893 A1 7/2011 Abramson

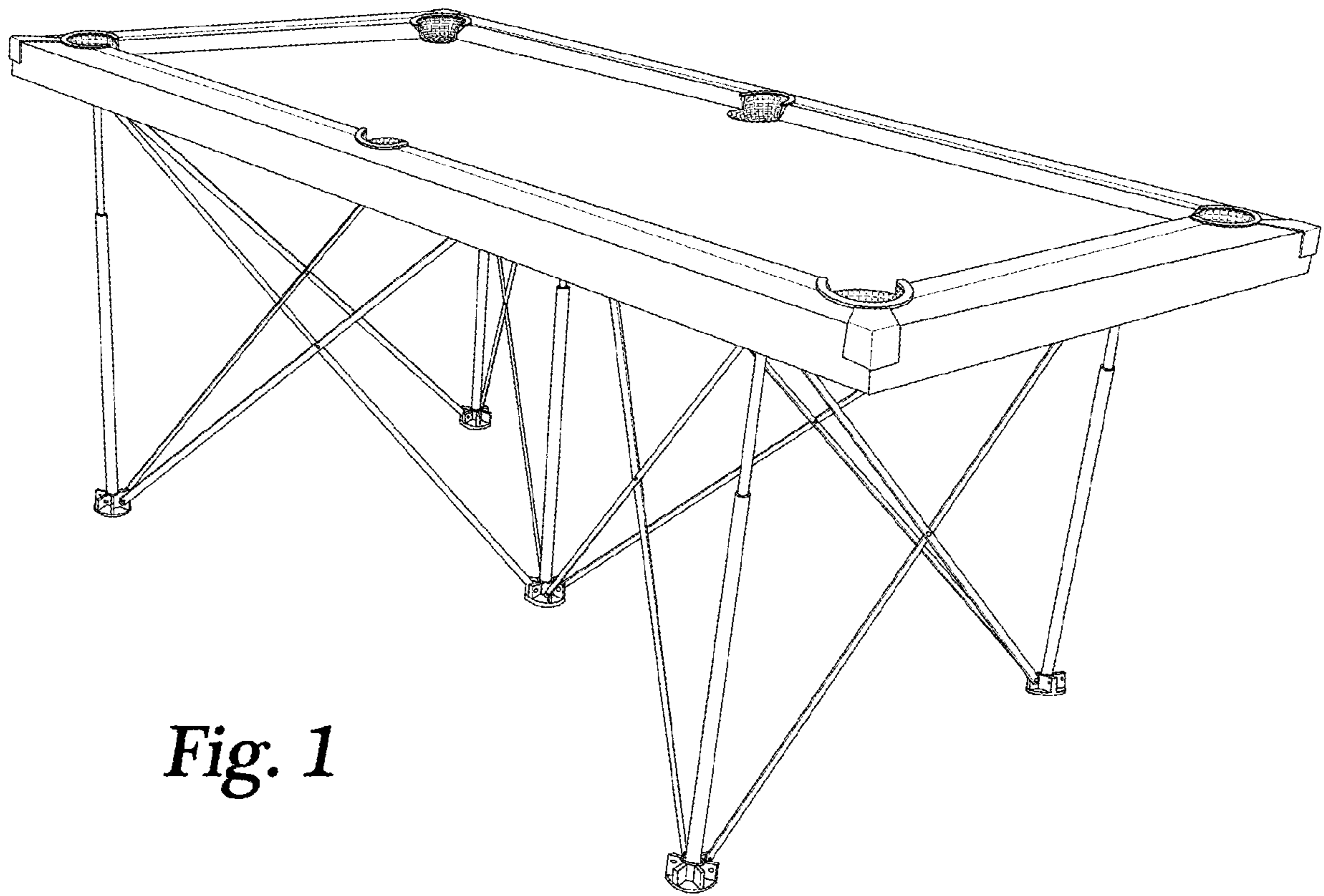
2012/0304901 A1 12/2012 Volin

2016/0037139 A1 \* 2/2016 Bacus ..... H05B 45/00  
348/157

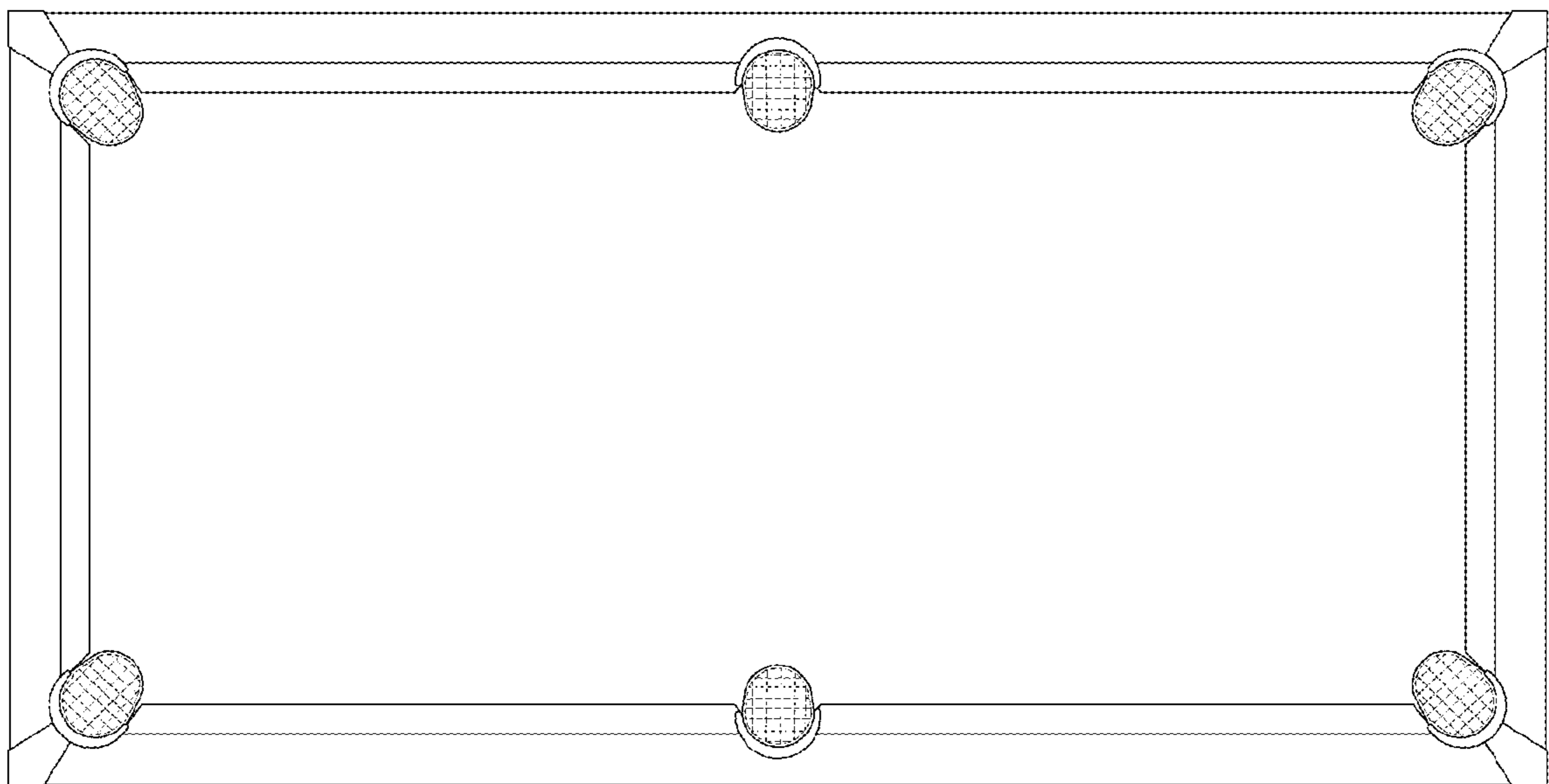
OTHER PUBLICATIONS

Bora Centipede Support System [online]; [retrieved on Jul. 17, 2018]; Retrieved from <http://centipedetool.com>.

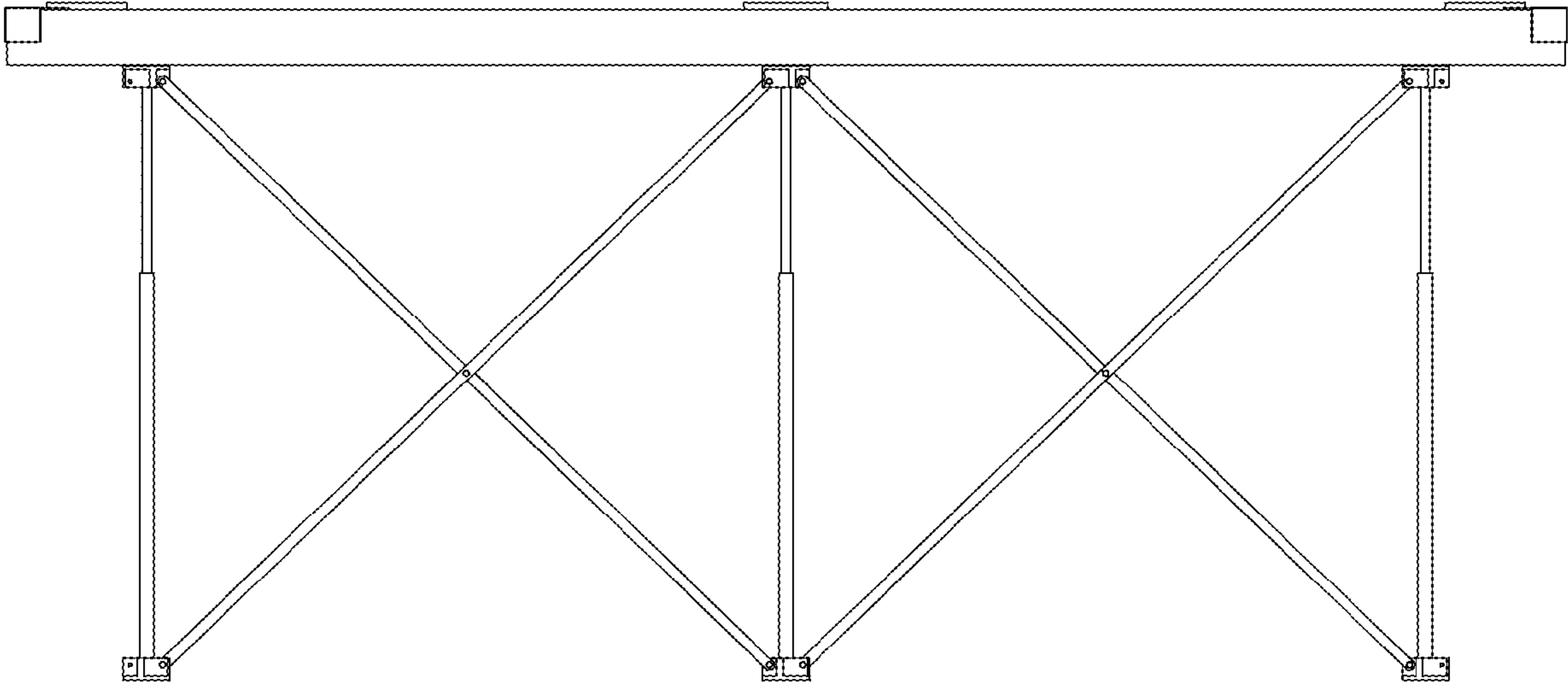
\* cited by examiner



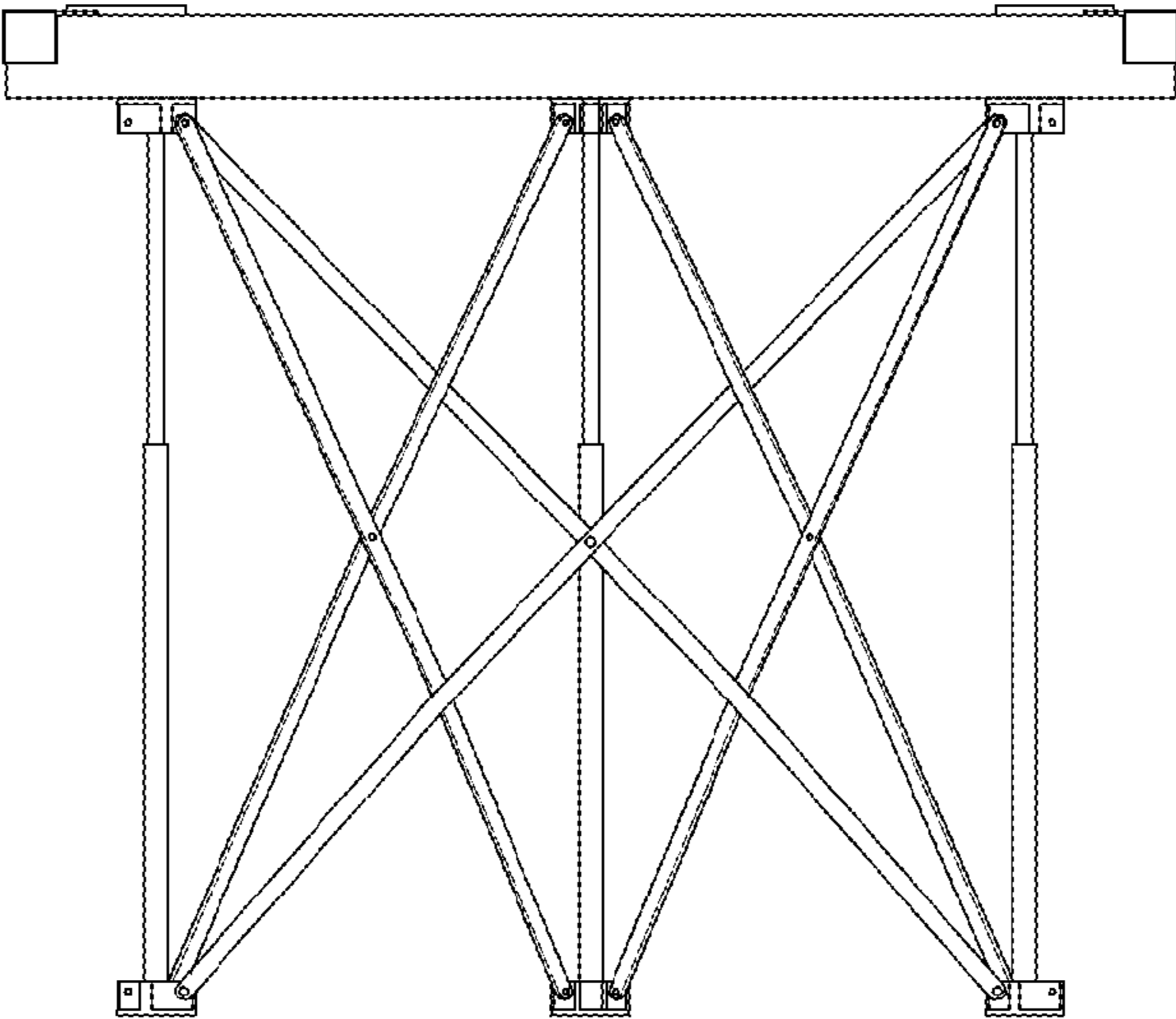
*Fig. 1*



*Fig. 2*



*Fig. 3*



*Fig. 4*

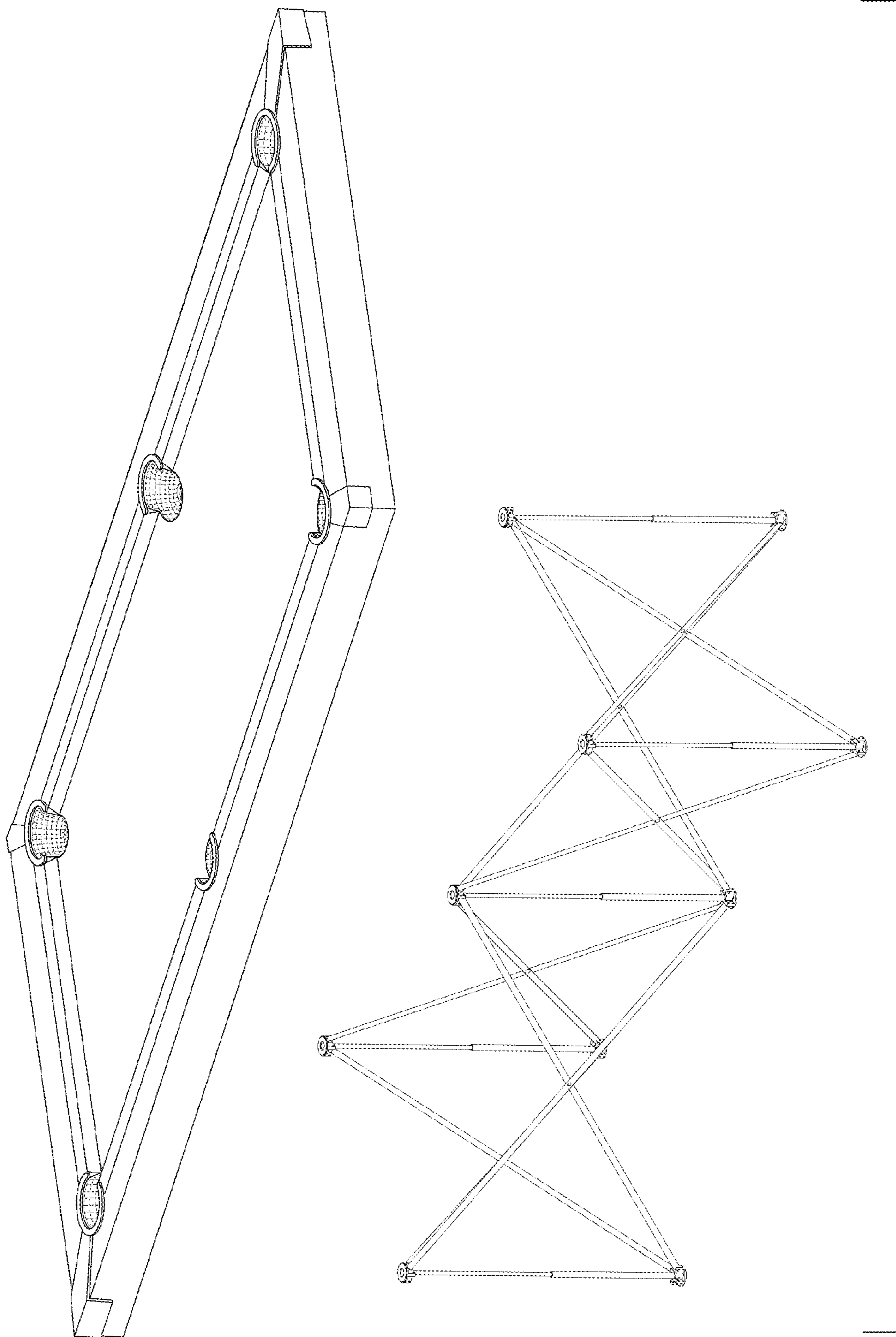
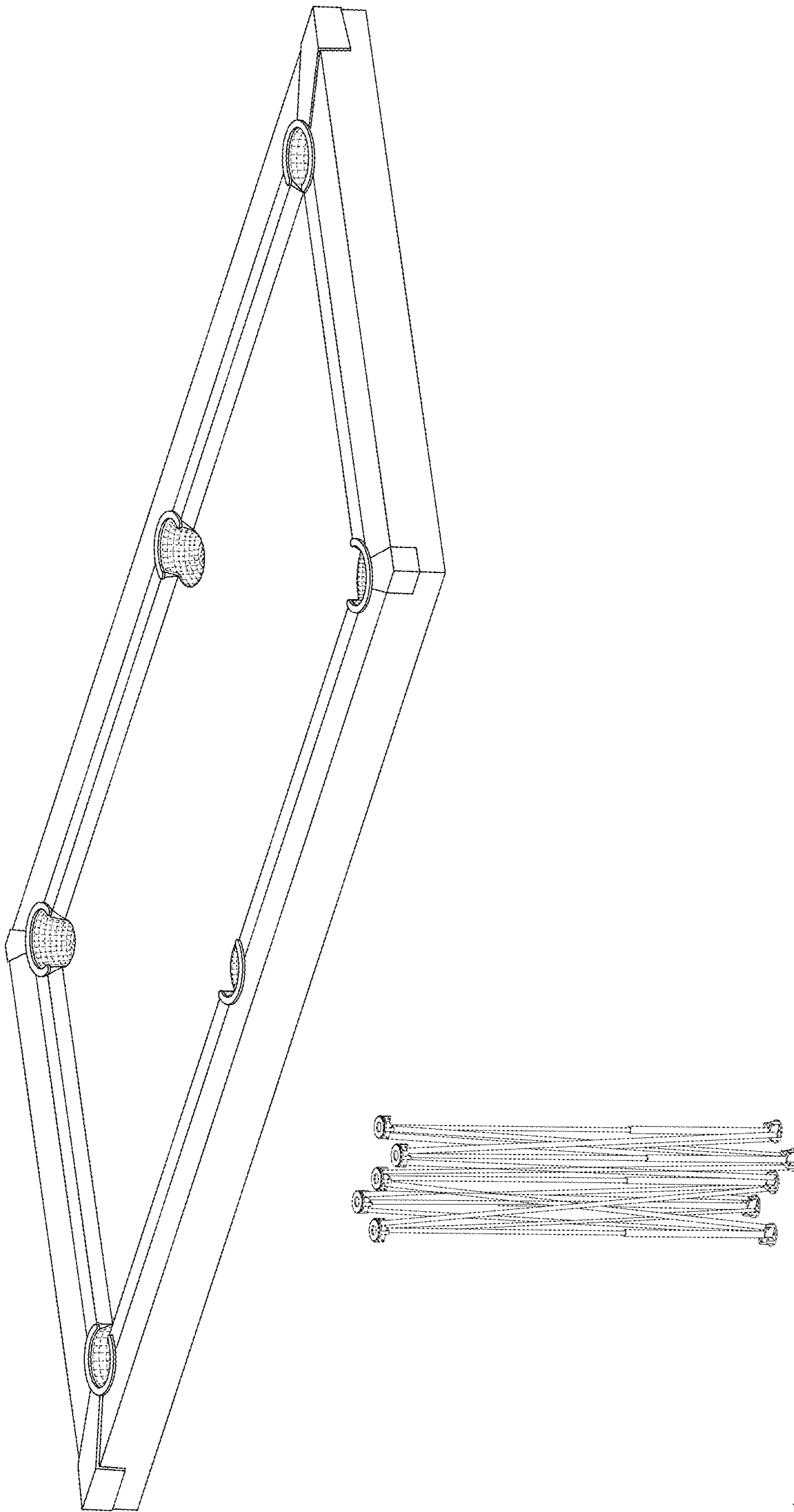


Fig. 5



*Fig. 6*