



US00D930746S

(12) **United States Design Patent**
Morgan

(10) **Patent No.:** **US D930,746 S**

(45) **Date of Patent:** **** Sep. 14, 2021**

(54) **LIGHTED VEHICLE ADVERTISING SYSTEM MOUNT**

(71) Applicant: **Russ Bryan Morgan**, Davie, FL (US)

(72) Inventor: **Russ Bryan Morgan**, Davie, FL (US)

(**) Term: **15 Years**

(21) Appl. No.: **29/727,955**

(22) Filed: **Mar. 14, 2020**

Related U.S. Application Data

(62) Division of application No. 29/626,853, filed on Nov. 21, 2017, now Pat. No. Des. 879,879.

(51) **LOC (13) Cl.** **19-08**

(52) **U.S. Cl.**
USPC **D20/22**; D12/193

(58) **Field of Classification Search**
USPC D6/511, 592, 613; D8/354; D9/457;
D11/165, 172; D12/193; D14/374;
D19/1, 6, 9, 10; D20/10-15, 17-19, 22,
D20/23, 27, 35, 40, 42, 99; D25/119
CPC . B60R 13/105; G09F 1/04; G09F 1/10; G09F
1/103; G09F 1/12; G09F 1/14; G09F
2001/106; G09F 3/18; G09F 3/185; G09F
3/20; G09F 3/201; G09F 3/202; G09F
3/204; G09F 7/10; G09F 7/18
See application file for complete search history.

(56) **References Cited**

U.S. PATENT DOCUMENTS

D306,078 S * 2/1990 Whitney 25/119
D310,775 S * 9/1990 Ruonala D8/377

D381,890 S * 8/1997 Levy D8/377
D604,151 S * 11/2009 Kollman D8/376
D793,765 S * 8/2017 Chou D6/580
D794,420 S * 8/2017 Emmons D8/349
D829,533 S * 10/2018 Kanter D8/354
D833,851 S * 11/2018 Kanter D8/354
D879,879 S * 3/2020 Morgan D20/22
D913,525 S * 3/2021 Xuewei 25/38.1

* cited by examiner

Primary Examiner — Christian P. McLean

(74) *Attorney, Agent, or Firm* — Nancy J. Flint Attorney
At Law; Nancy J. Flint, Esq.

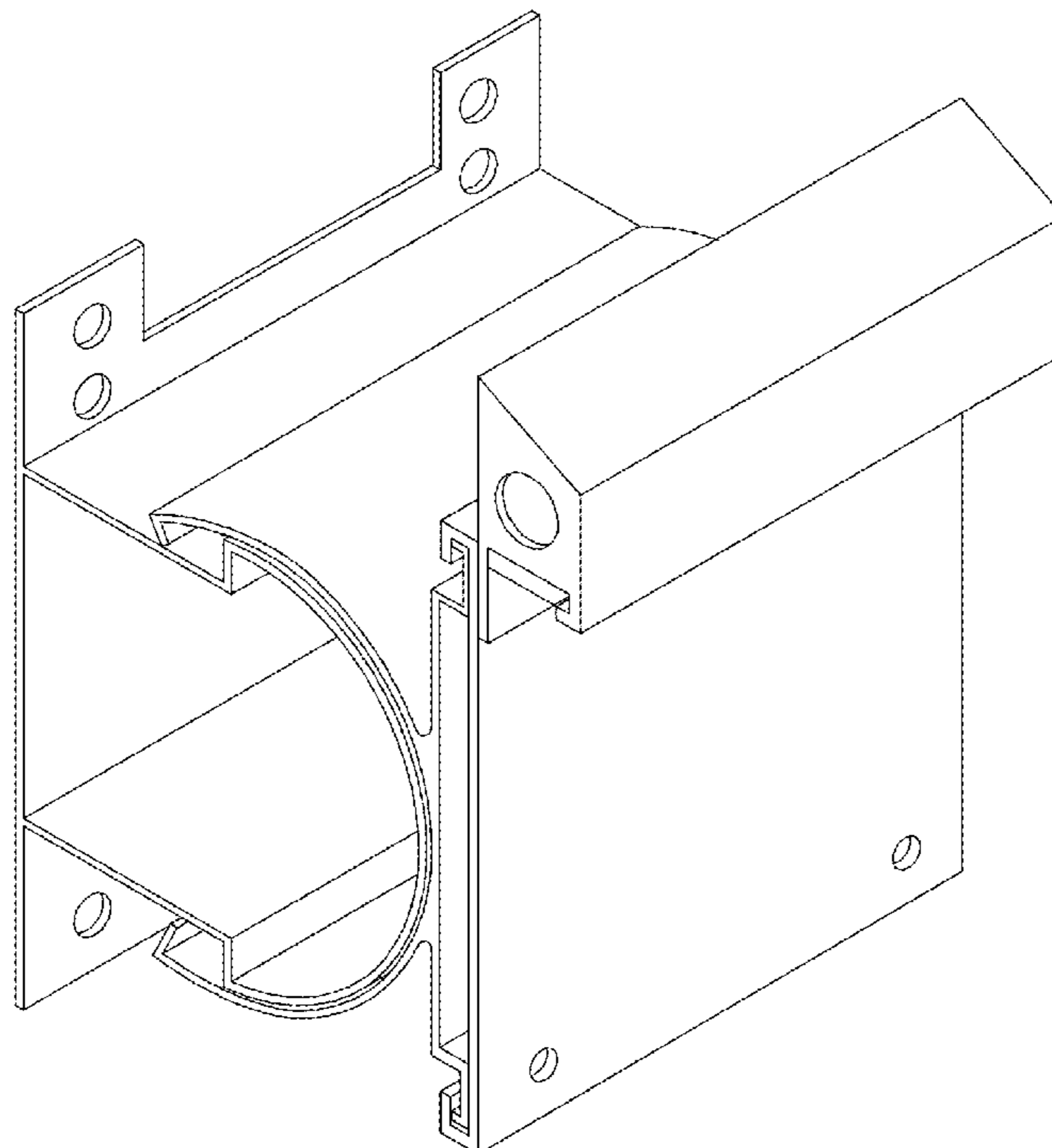
(57) **CLAIM**

The ornamental design for a lighted vehicle advertising system mount, as shown and described.

DESCRIPTION

FIG. 1 is a perspective view of a lighted vehicle advertising system mount, showing the new design;
FIG. 2 is an exploded view thereof;
FIG. 3 is a front view thereof;
FIG. 4 is a rear view thereof;
FIG. 5 is a top view thereof;
FIG. 6 is a left side view thereof;
FIG. 7 is a right side view thereof;
FIG. 8 is a bottom view thereof; and,
FIG. 9 is a front view of the design of FIG. 3 shown in a non-claimed environment.
The broken lines illustrate the environment of the design and form no part of the claim.

1 Claim, 6 Drawing Sheets



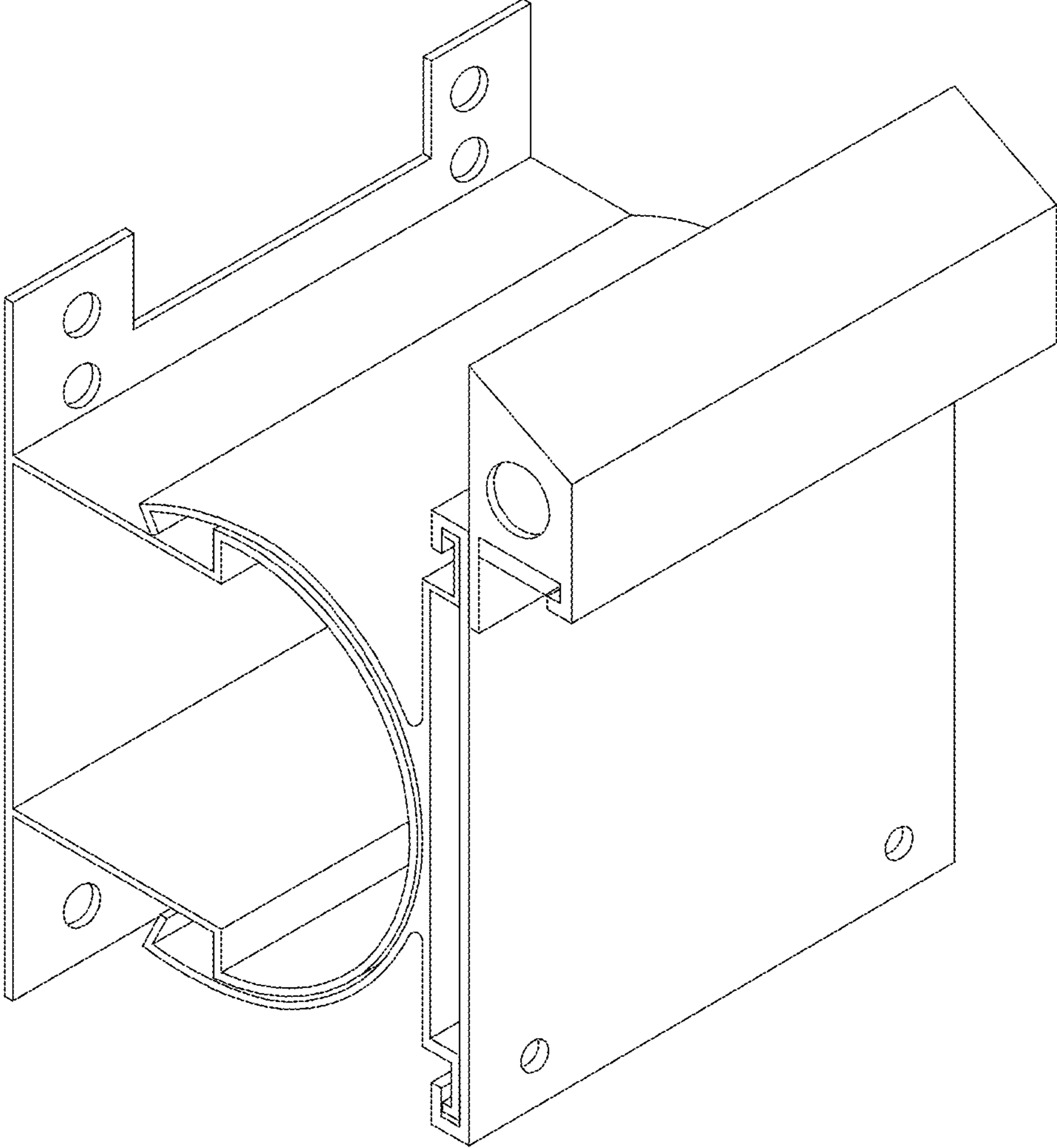


Fig. 1

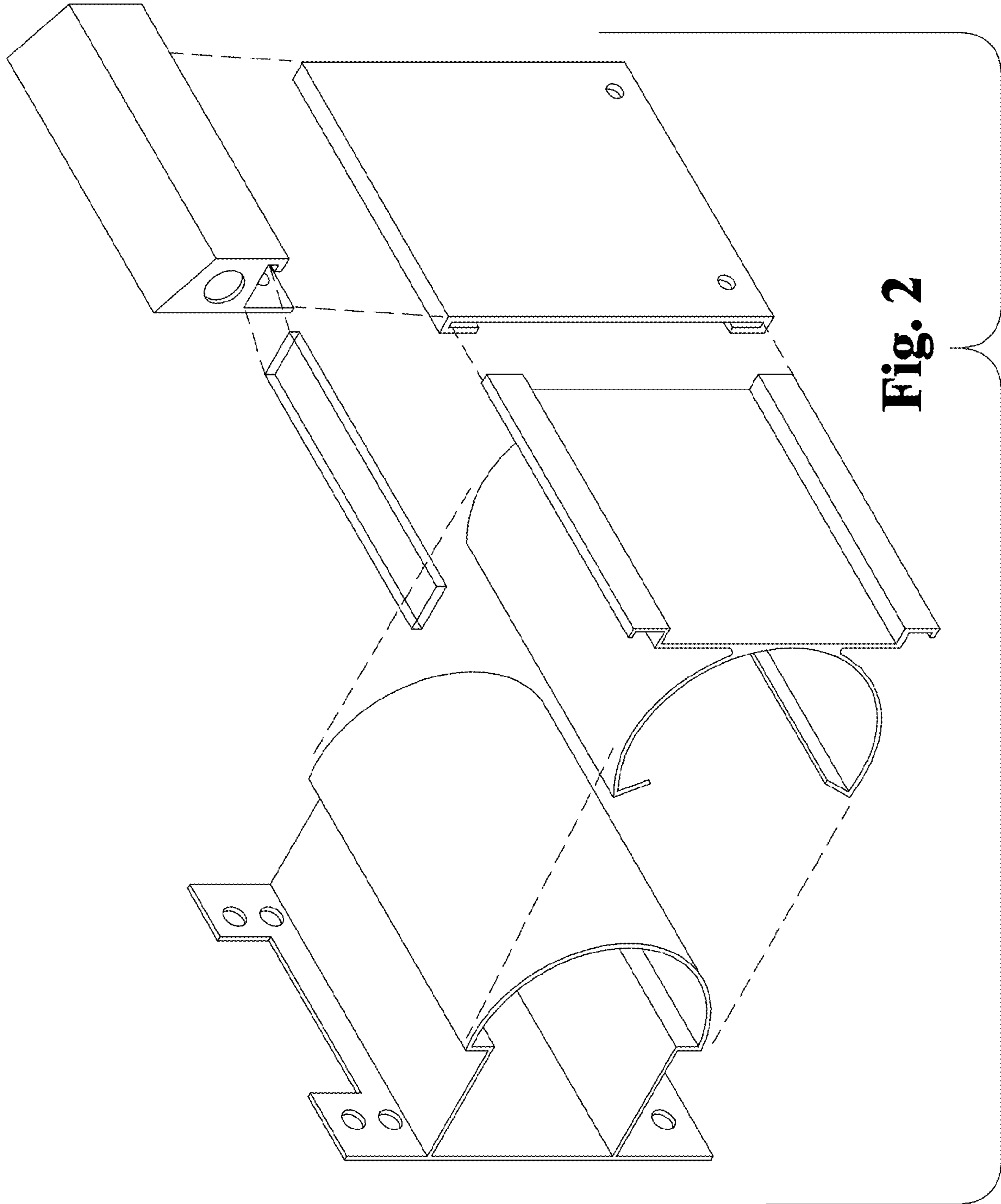


Fig. 2

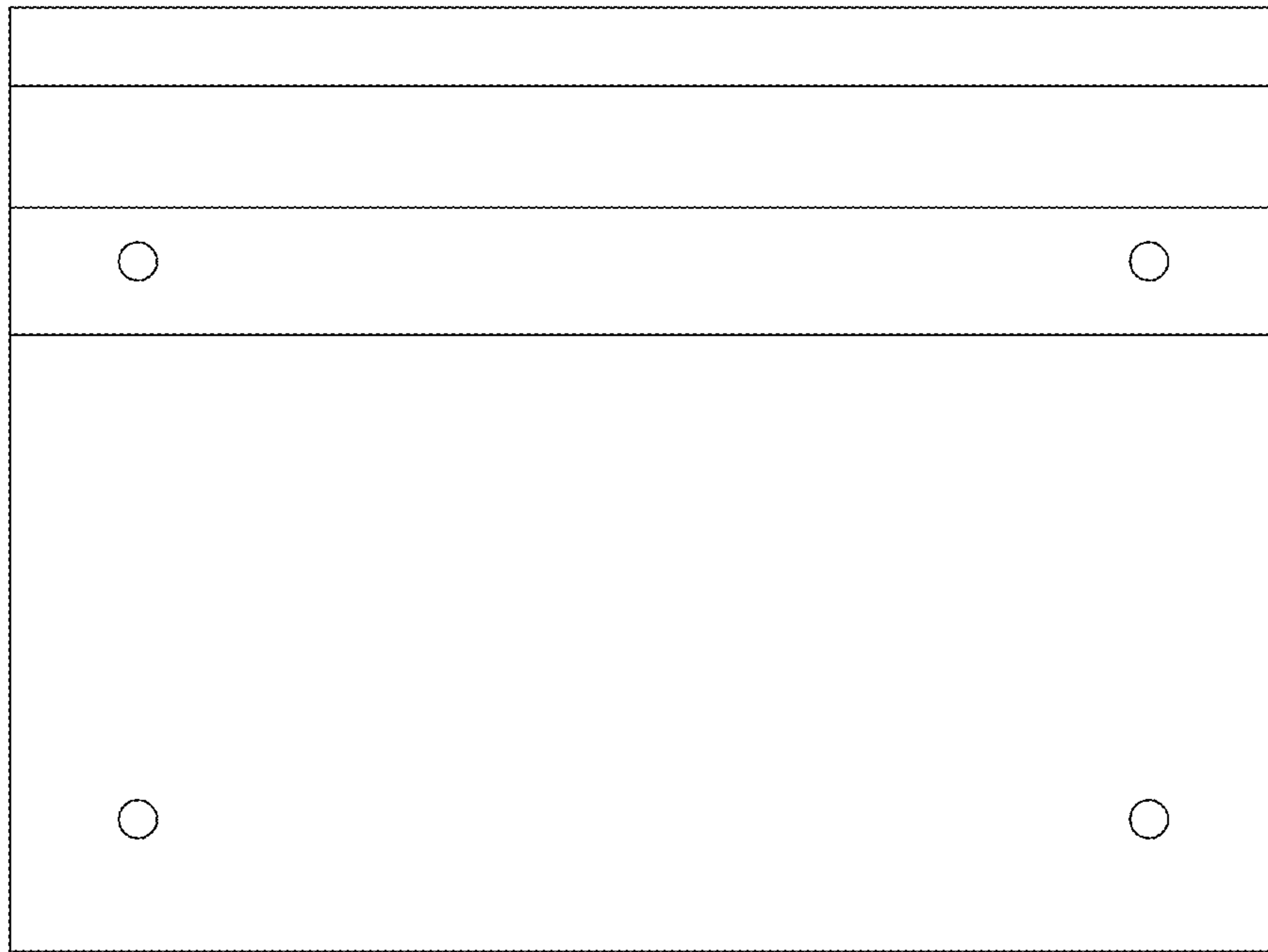


Fig. 3

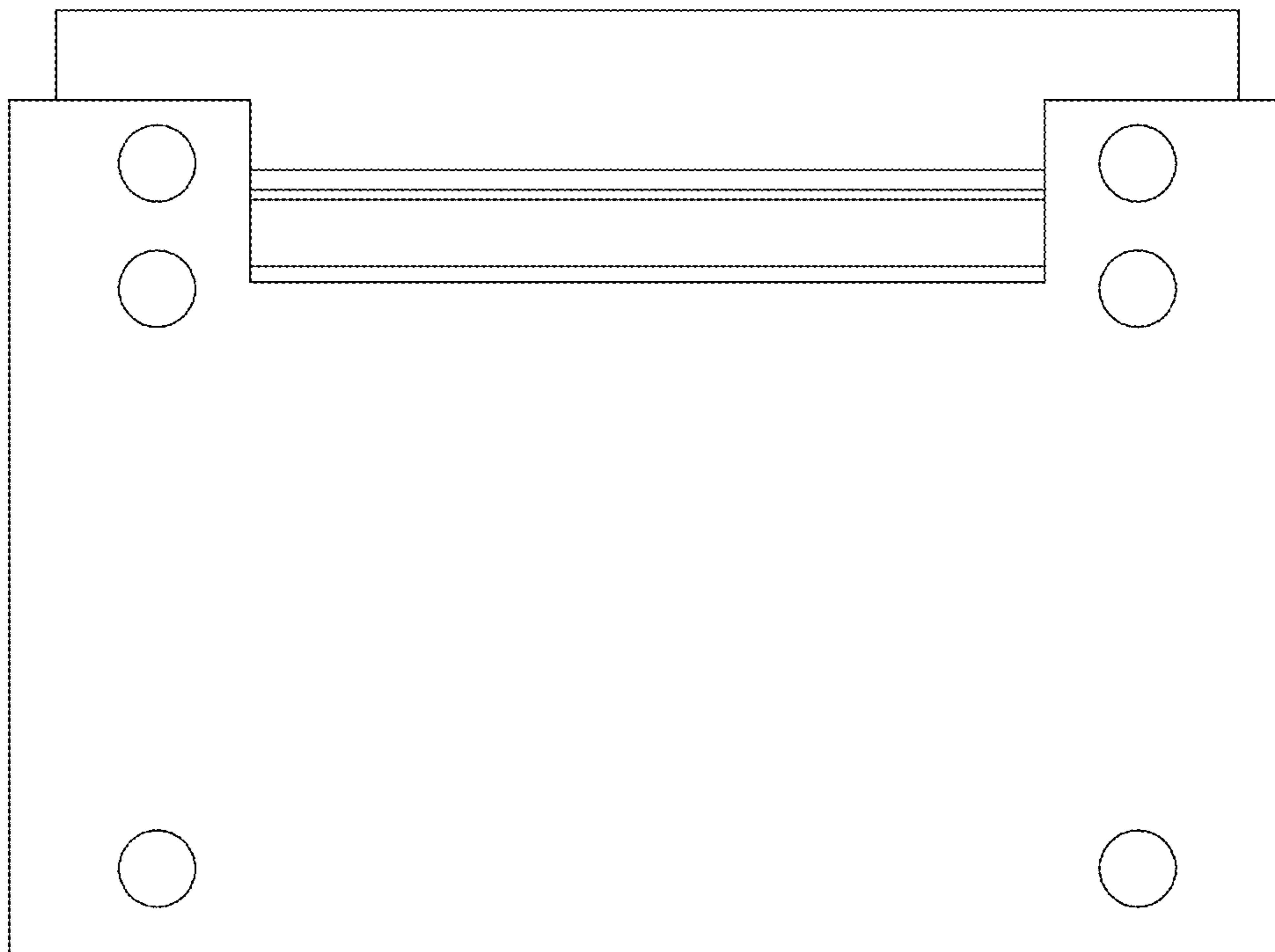


Fig. 4

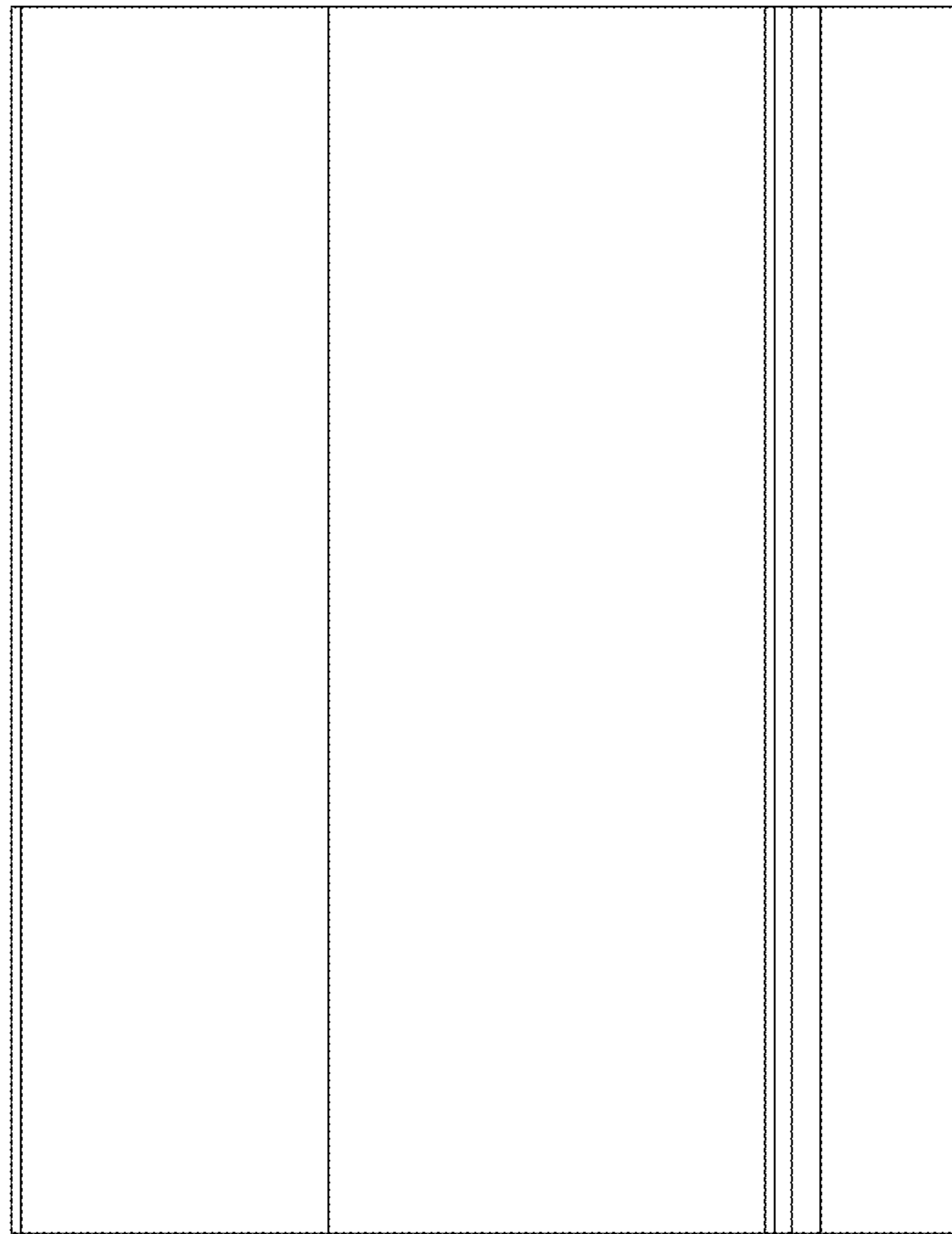


Fig. 5

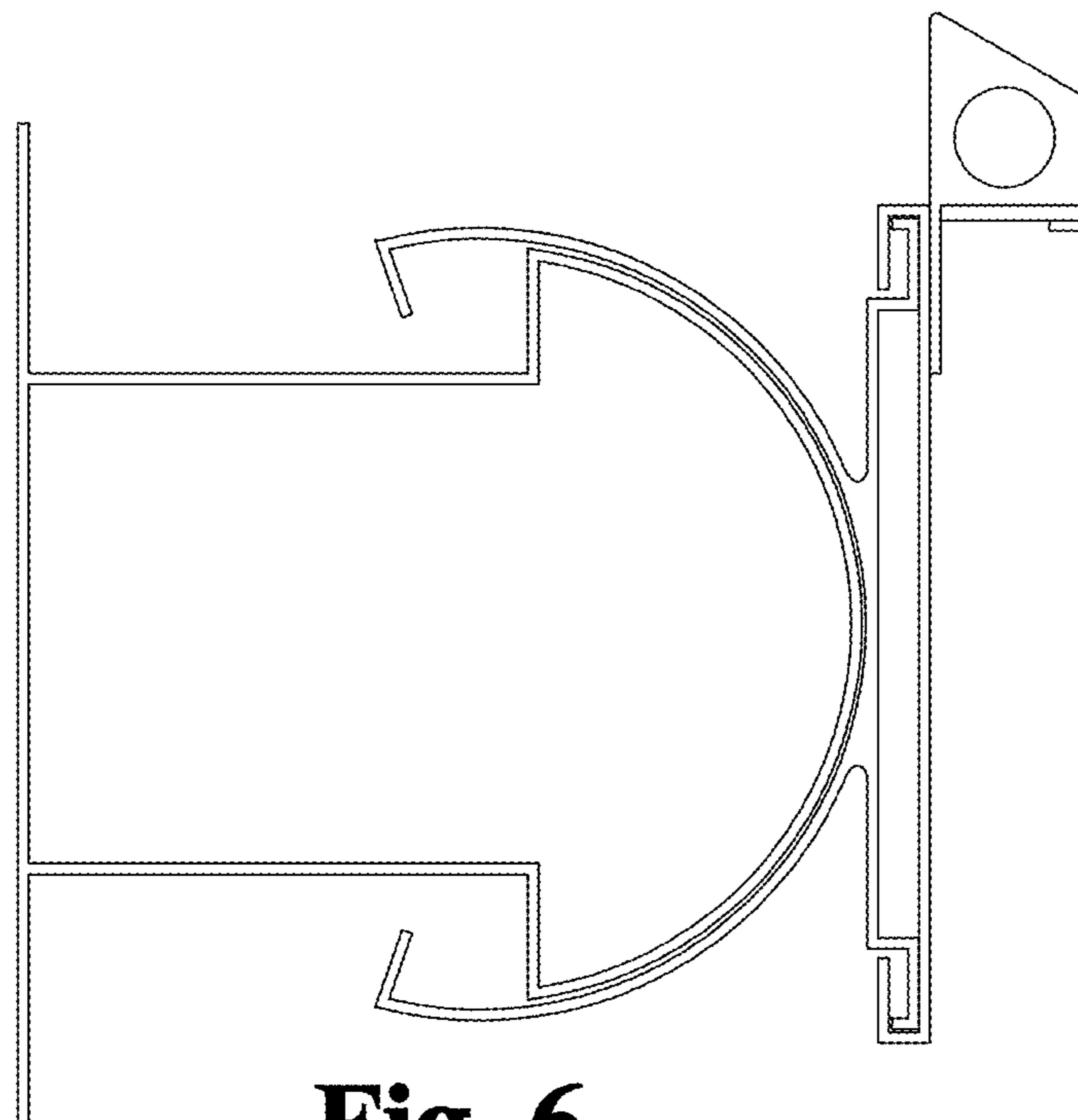


Fig. 6

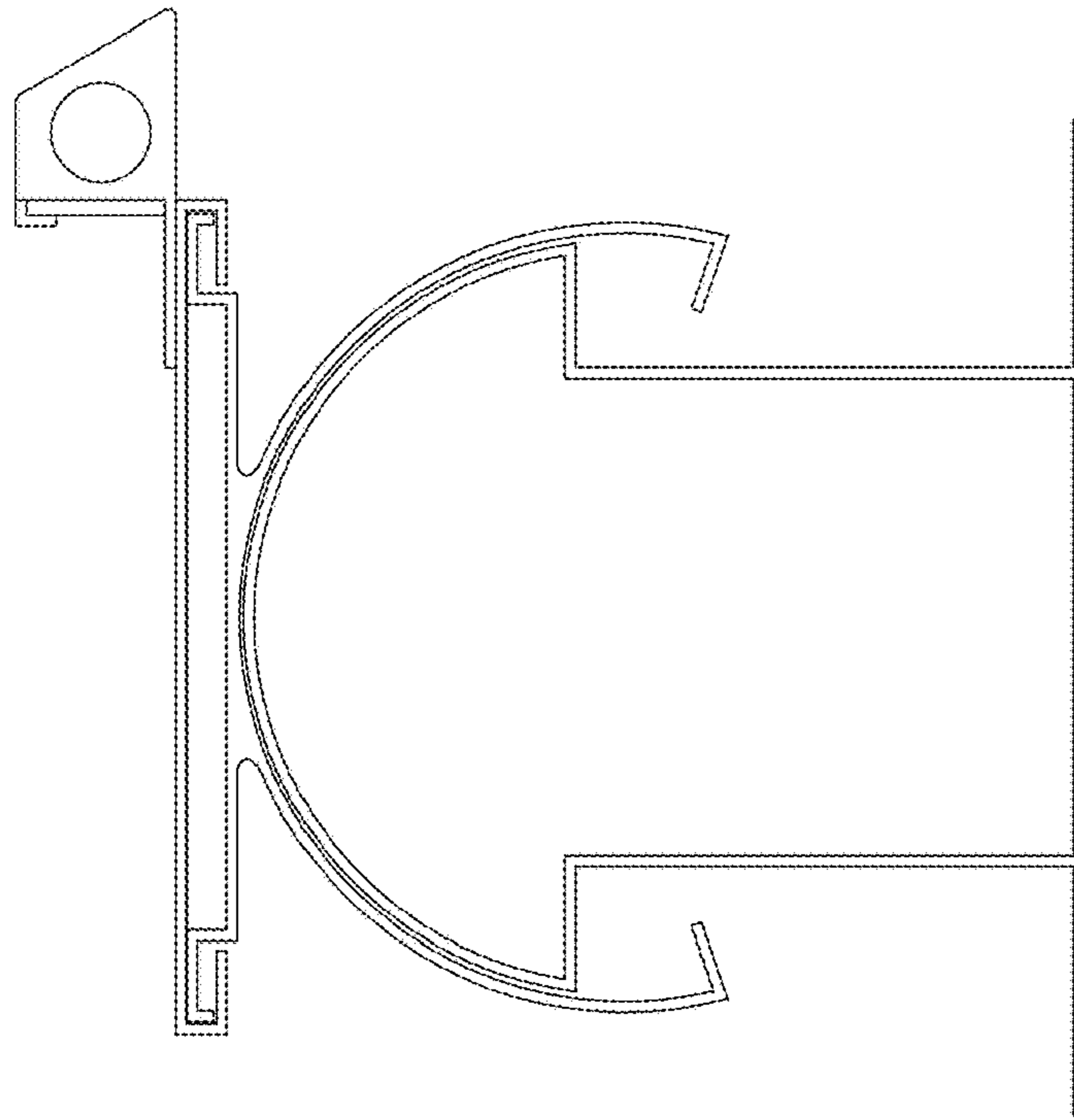


Fig. 7

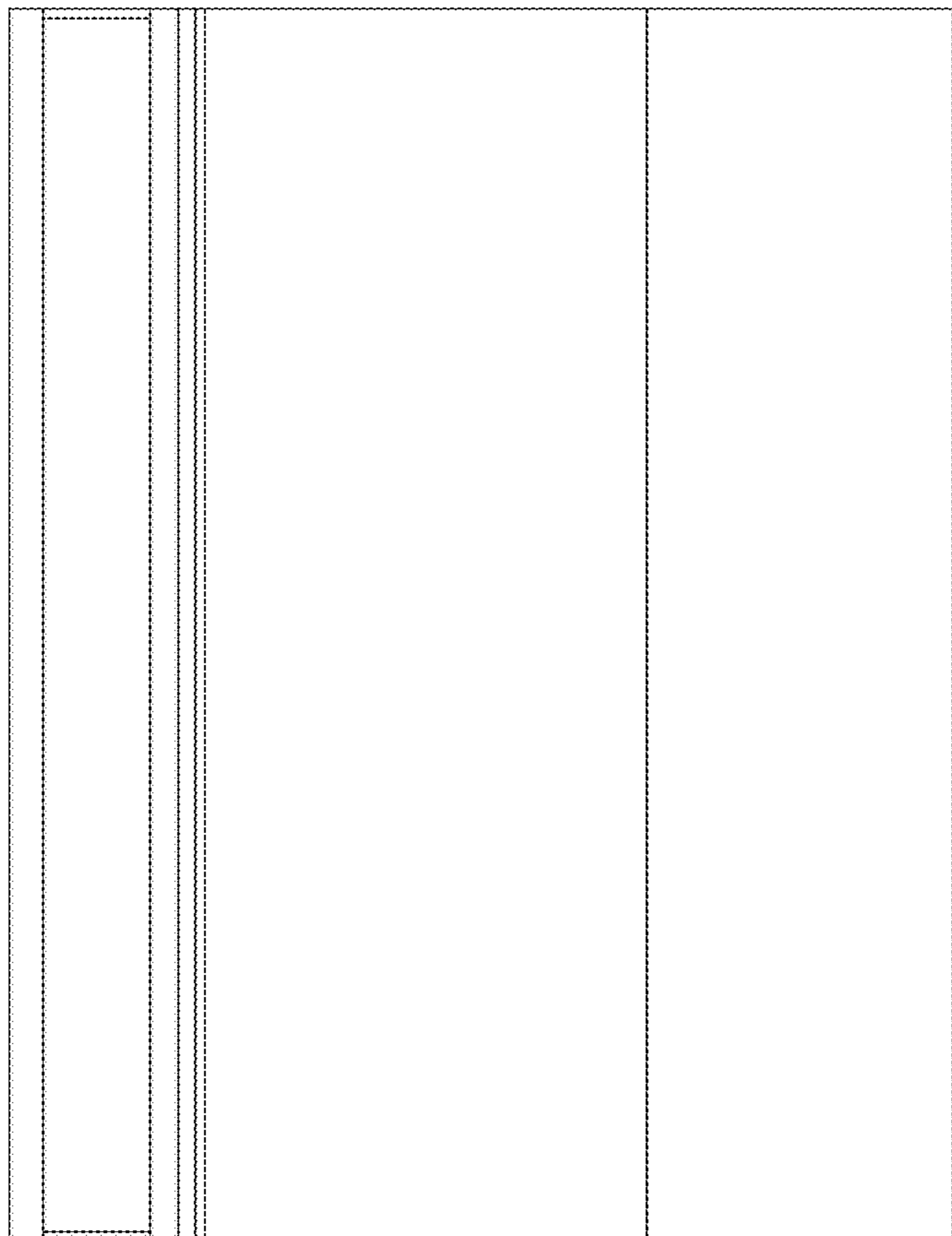


Fig. 8

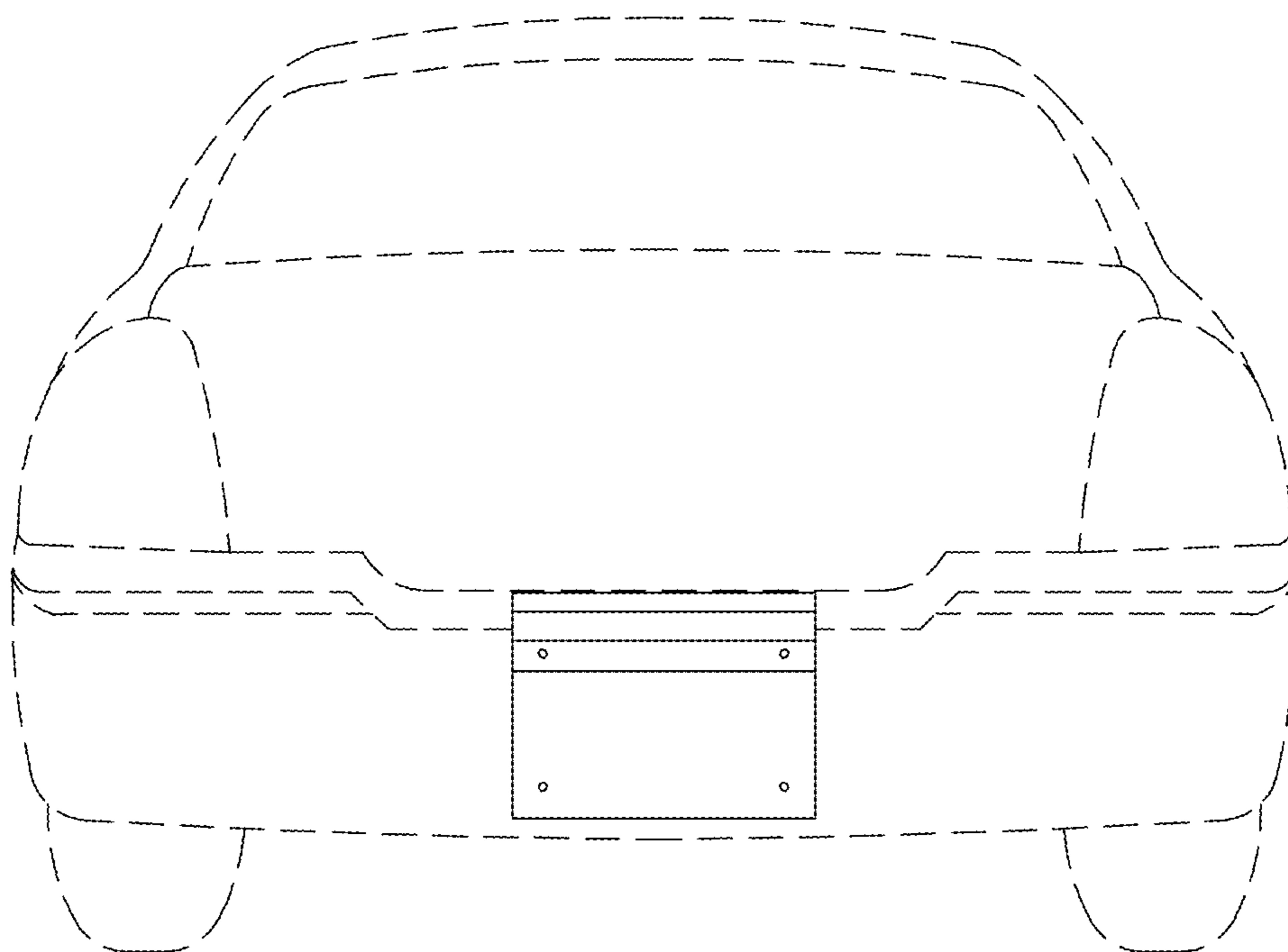


Fig. 9