



US00D930744S

(12) **United States Design Patent**
Yu et al.

(10) **Patent No.:** **US D930,744 S**
(45) **Date of Patent:** **** Sep. 14, 2021**

(54) **CHILDREN'S DRAWING BOARD**
(71) Applicant: **Shenzhen Divoom Technology Co., LTD., Shenzhen (CN)**
(72) Inventors: **Chaoliang Yu, Shenzhen (CN); Yulu Guo, Shenzhen (CN)**
(**) Term: **15 Years**
(21) Appl. No.: **29/697,983**
(22) Filed: **Jul. 12, 2019**
(30) **Foreign Application Priority Data**

4,888,874 A * 12/1989 Oster A63H 33/22
33/18.1
4,949,466 A * 8/1990 Auer B43L 1/00
33/1 M
D323,155 S * 1/1992 Hino D14/339
D332,804 S * 1/1993 Li D21/331
D346,620 S * 5/1994 McSorley D14/389
D350,373 S * 9/1994 Chow D14/314
D359,984 S * 7/1995 Mak D14/390
D363,085 S * 10/1995 Cameron D14/341
D363,511 S * 10/1995 Hui D14/341
5,551,905 A * 9/1996 Billings A63H 33/20
40/491
D381,323 S * 7/1997 Hartman D14/374
D382,253 S * 8/1997 Claxton D14/339
5,674,104 A * 10/1997 Ohashi B43K 23/04
401/206

(Continued)

Apr. 23, 2019 (CN) 201930188558.0
(51) **LOC (13) Cl.** **19-06**
(52) **U.S. Cl.**
USPC **D19/113**
(58) **Field of Classification Search**
USPC D19/59, 60, 111, 113, 114; D6/300-314;
D7/698; D20/10, 22, 27, 39-42;
D21/469
CPC B43L 1/00; B43L 1/008; B43L 1/04; B43L
1/06; B43L 1/08; B43L 1/12; B43L
1/126; B43L 5/00; B43L 5/002; B43L
5/005; B43L 5/007; B43L 5/02; A63H
33/26
See application file for complete search history.

Primary Examiner — Elizabeth A. Albert
(74) *Attorney, Agent, or Firm* — Eugenio J. Torres-Oyola;
Victor M. Rodriguez-Reyes; Rafael Rodriguez-Muriel

(57) **CLAIM**

The ornamental design for a children's drawing board, as shown and described.

DESCRIPTION

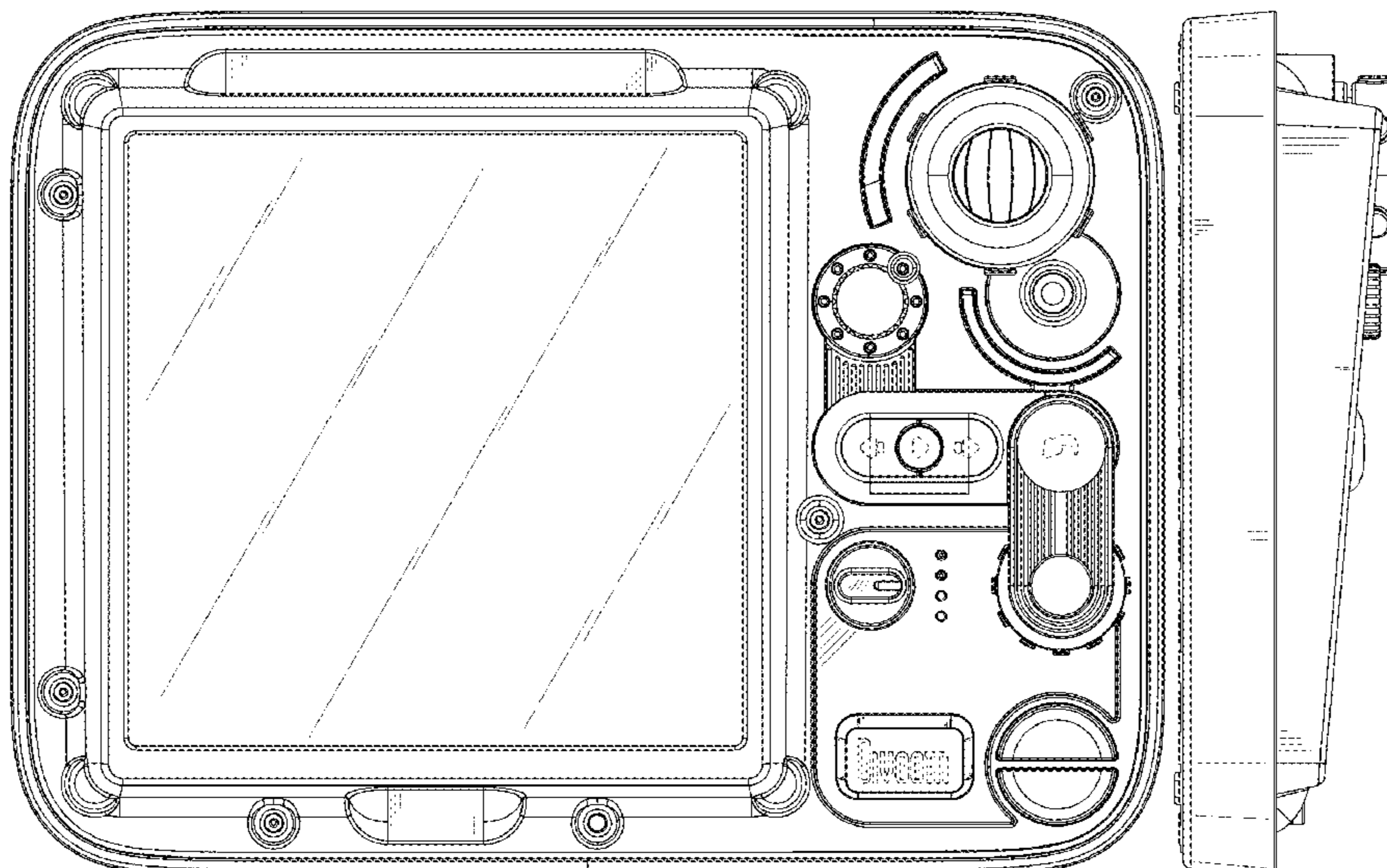
FIG. 1 is a front, top perspective view of a children's drawing board showing my new design;
FIG. 2 is a front, bottom perspective view thereof;
FIG. 3 is a back, top perspective view thereof;
FIG. 4 is a front view thereof;
FIG. 5 is a back view thereof;
FIG. 6 is a left side view thereof;
FIG. 7 is a right side view thereof;
FIG. 8 is a top view thereof; and,
FIG. 9 is a bottom view thereof.
The broken lines shown in the drawings are for the purpose of illustrating portions of the children's drawing board that form no part of the claimed design.

(56) **References Cited**

U.S. PATENT DOCUMENTS

D216,615 S * 2/1970 Lawton D9/681
4,306,868 A * 12/1981 Hankins A63F 3/0423
434/159
D282,935 S * 3/1986 Shifflett D19/60
4,590,381 A * 5/1986 Mendelson B43K 29/10
250/483.1
D299,472 S * 1/1989 Phinney D19/60
4,856,197 A * 8/1989 Auer B43L 1/00
33/18.1

1 Claim, 9 Drawing Sheets



(56)

References Cited

U.S. PATENT DOCUMENTS

D397,369 S * 8/1998 Rissman D21/329
 5,820,385 A * 10/1998 Ohashi B43L 1/008
 434/409
 D400,869 S * 11/1998 Mannix D14/315
 5,867,914 A * 2/1999 Watson B43L 1/126
 33/18.1
 D406,572 S * 3/1999 Daniel D14/346
 5,997,309 A * 12/1999 Metheny B43L 1/008
 434/408
 D419,190 S * 1/2000 Mak D21/469
 D419,599 S * 1/2000 Mak D21/469
 D433,409 S * 11/2000 Chen D14/336
 6,183,262 B1 * 2/2001 Tseng B43L 1/008
 434/391
 D443,304 S * 6/2001 Mak D21/469
 D451,097 S * 11/2001 Schmeisser D14/341
 D453,195 S * 1/2002 Chan D21/329
 D462,074 S * 8/2002 Kim D14/375
 D467,971 S * 12/2002 Mak D21/469
 D473,226 S * 4/2003 Griffin D14/346
 D473,230 S * 4/2003 Hirano D14/336

D483,759 S * 12/2003 Sun D14/375
 D488,812 S * 4/2004 Chiu D14/375
 D489,066 S * 4/2004 Tsai D14/371
 6,722,891 B1 * 4/2004 Ma B43L 1/008
 40/621
 D489,371 S * 5/2004 Sarman D14/371
 D489,372 S * 5/2004 Ono D14/375
 D498,269 S * 11/2004 Shirai D21/469
 D530,715 S * 10/2006 Wu D14/371
 D551,664 S * 9/2007 Lin D14/341
 D561,127 S * 2/2008 Lee D14/126
 D638,058 S * 5/2011 Oikawa D18/50
 D723,550 S * 3/2015 Krueger D14/341
 D730,847 S * 6/2015 Weiss D13/168
 D818,856 S * 5/2018 Laurino H04W 88/005
 D10/78
 D850,954 S * 6/2019 Laurino H04W 88/005
 D10/78
 D864,137 S * 10/2019 Chang D14/129
 D889,456 S * 7/2020 Yao D14/336
 10,744,814 B1 * 8/2020 Zumot B43L 1/12
 10,768,813 B2 * 9/2020 Hama G06F 3/03548
 10,894,220 B2 * 1/2021 Pruzansky B43L 1/008

* cited by examiner

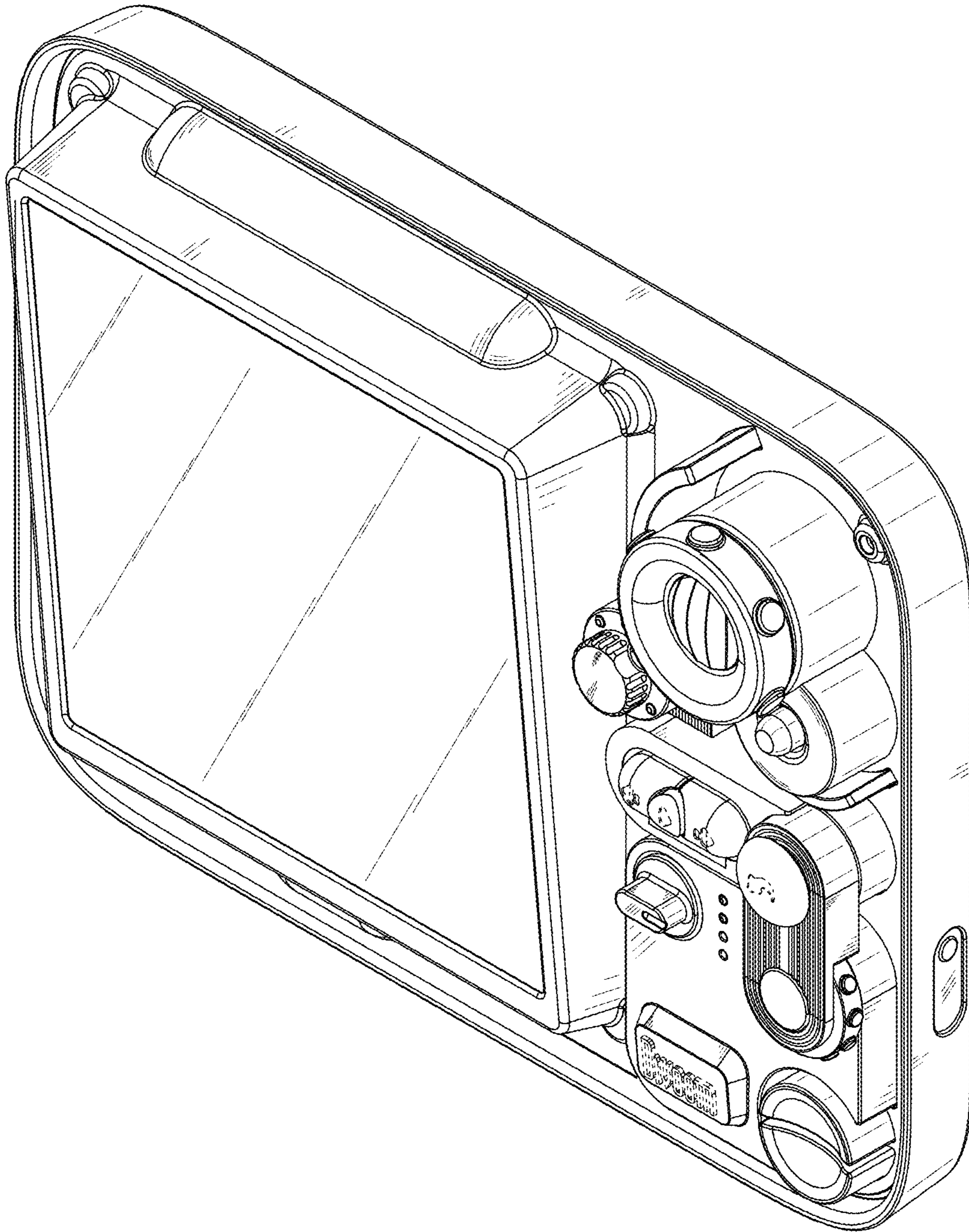


FIG. 1

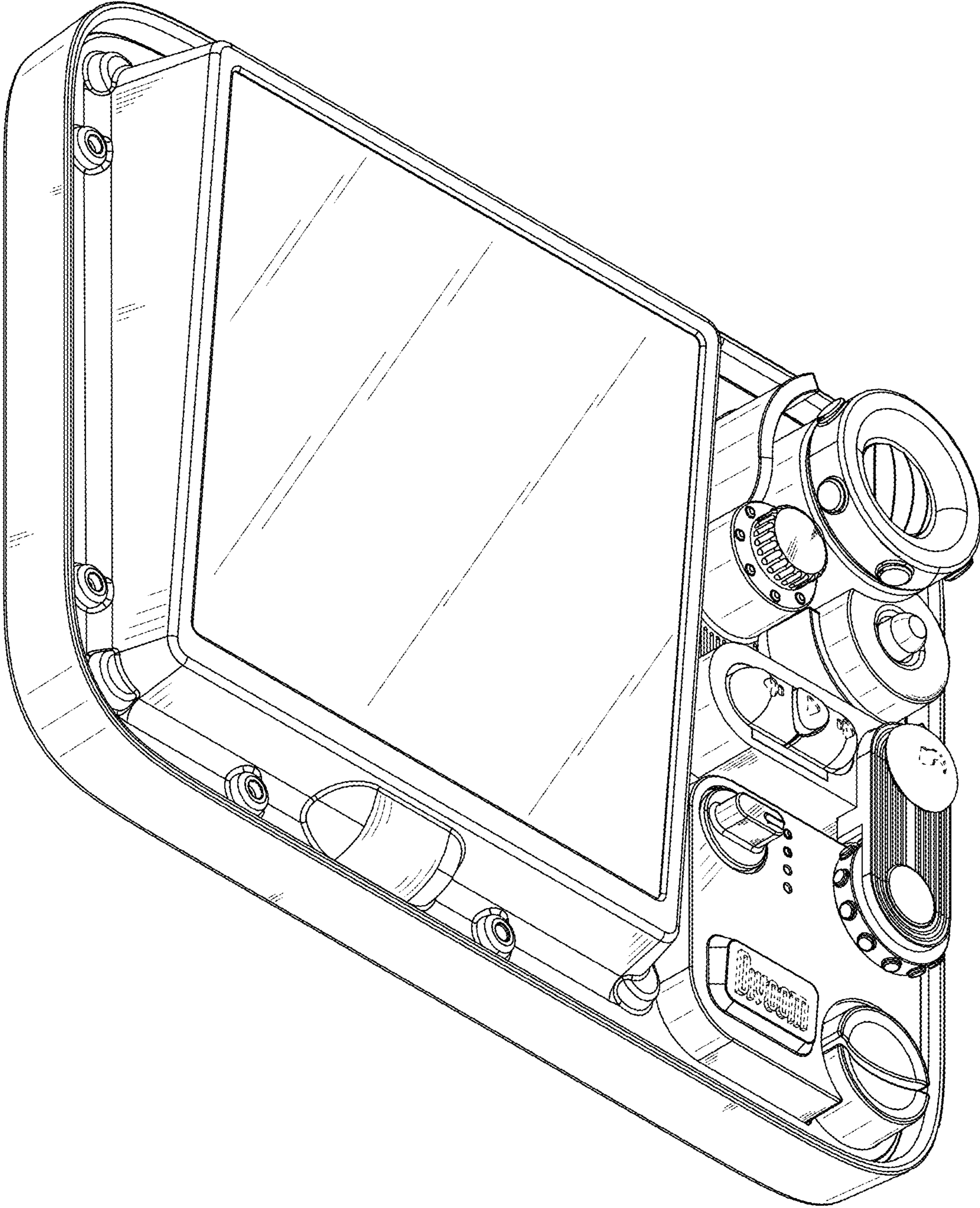


FIG.2

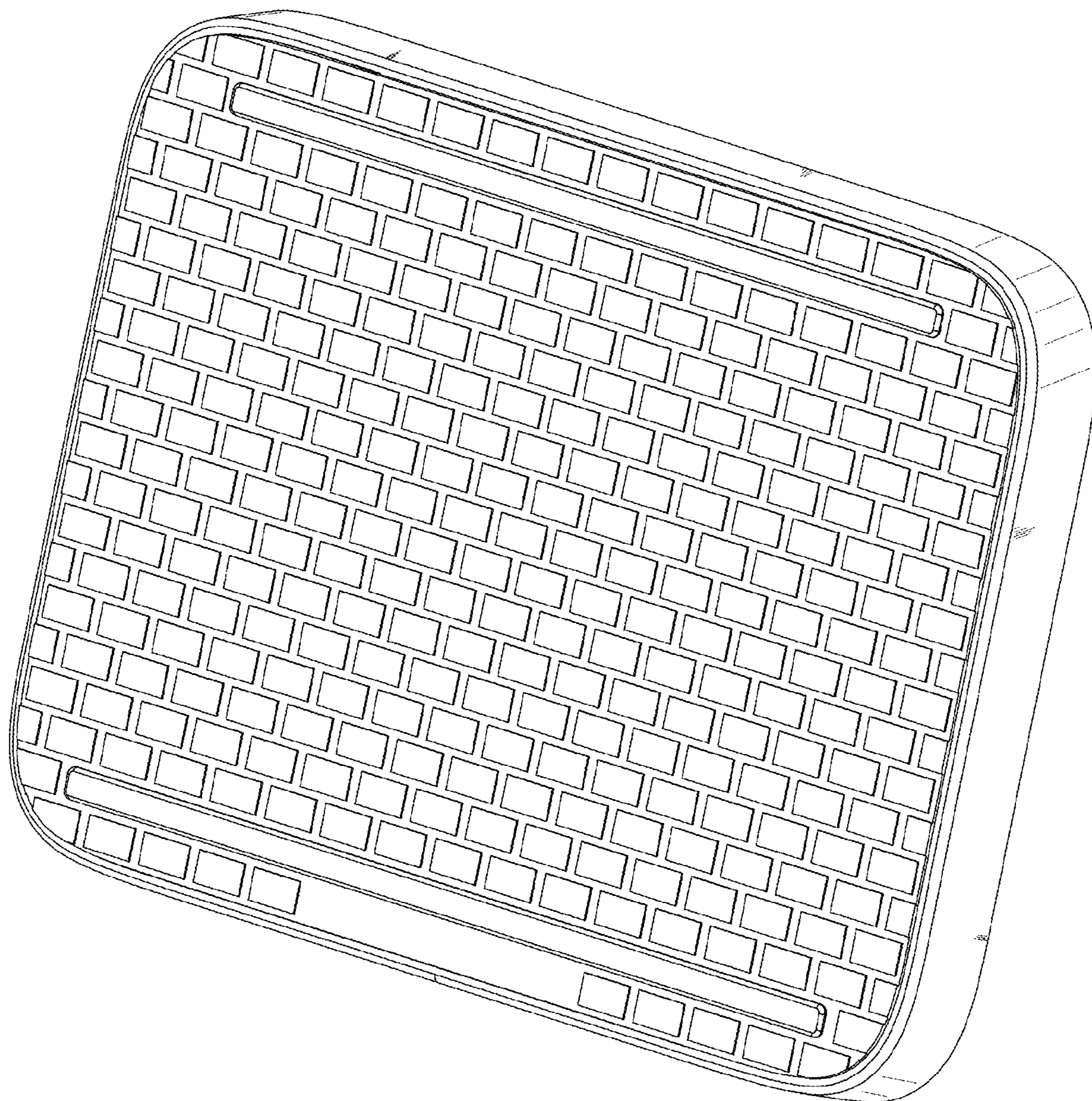


FIG.3

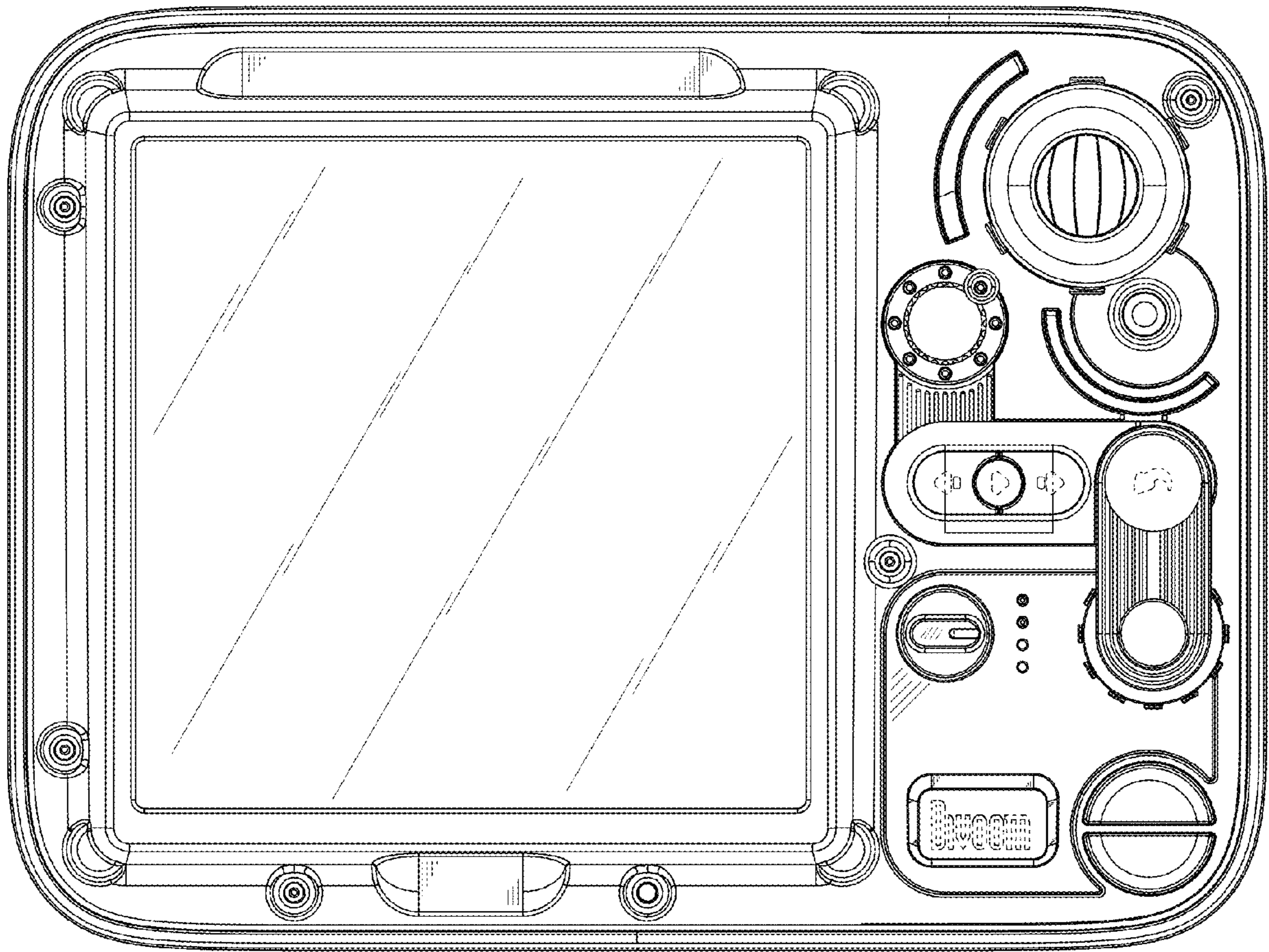


FIG.4

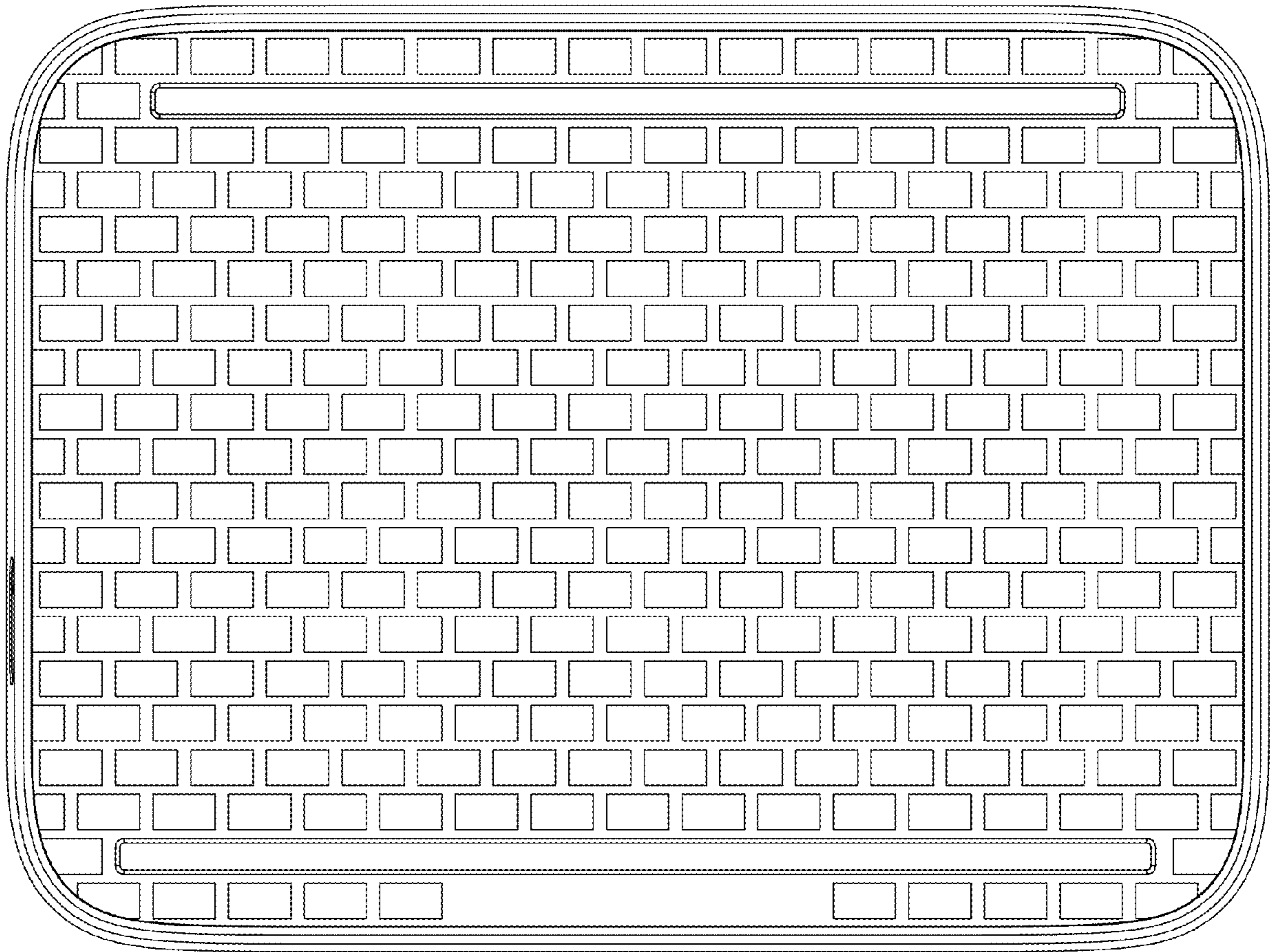


FIG.5

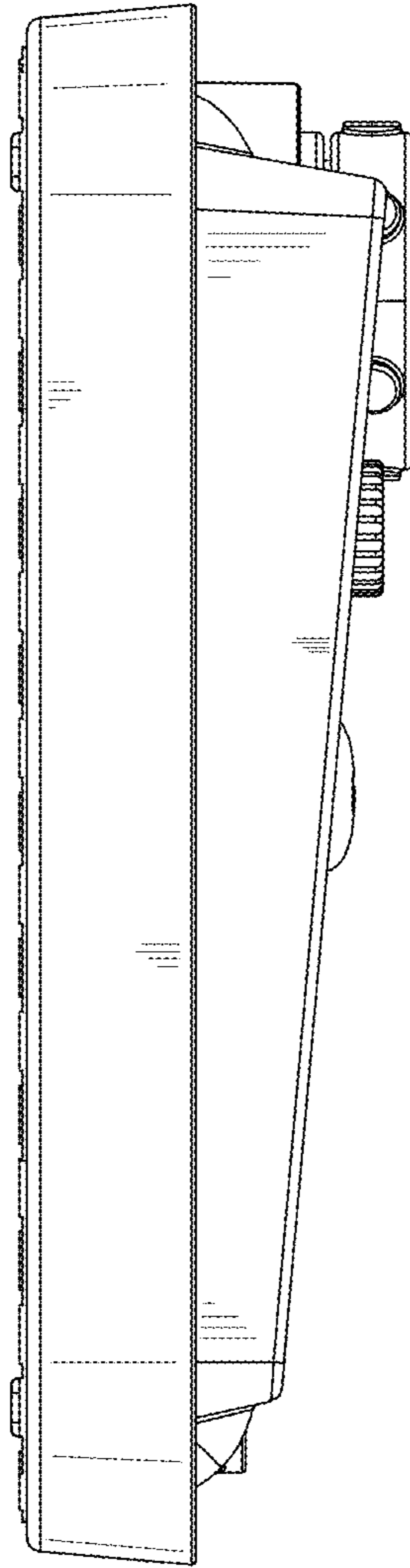


FIG.6

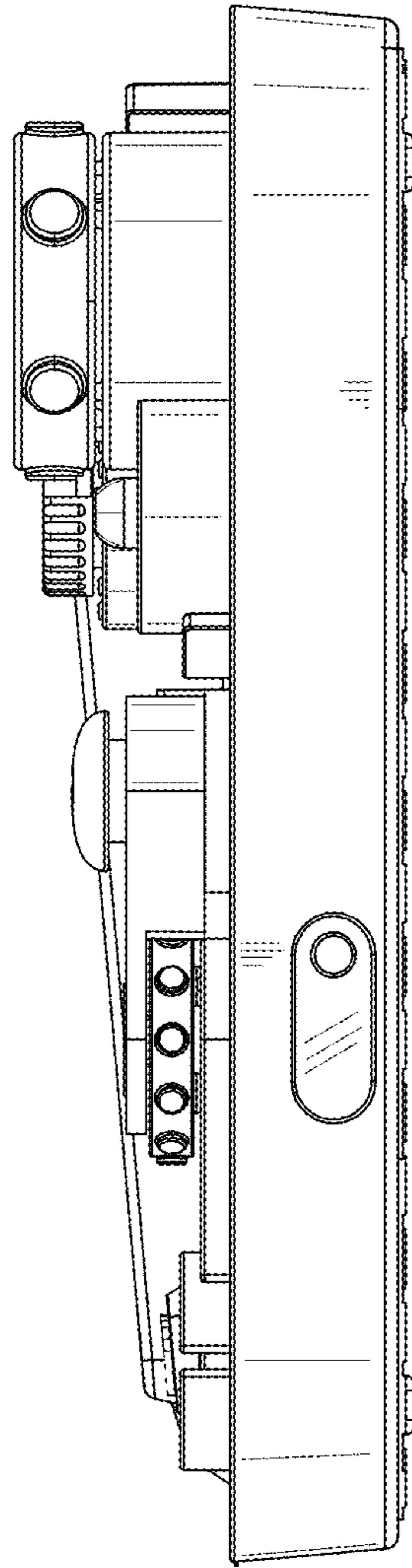


FIG. 7

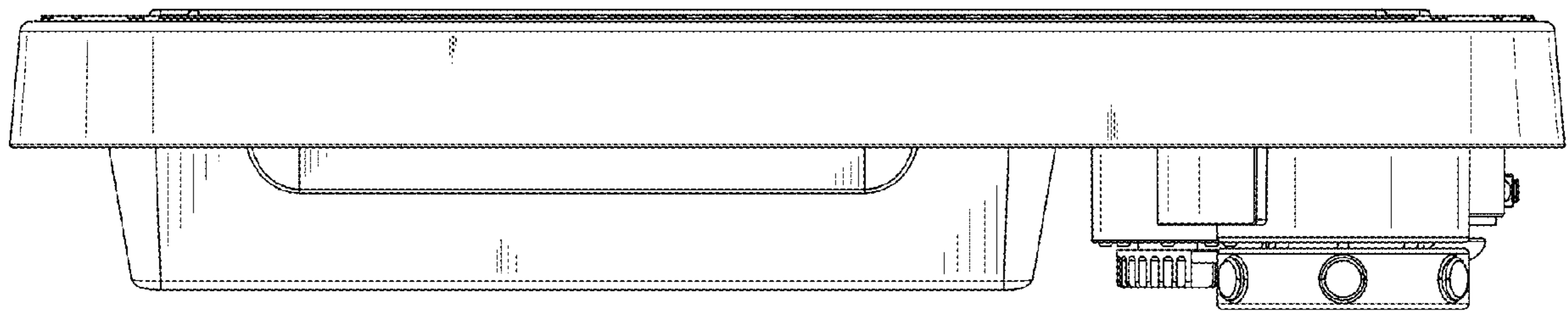


FIG.8

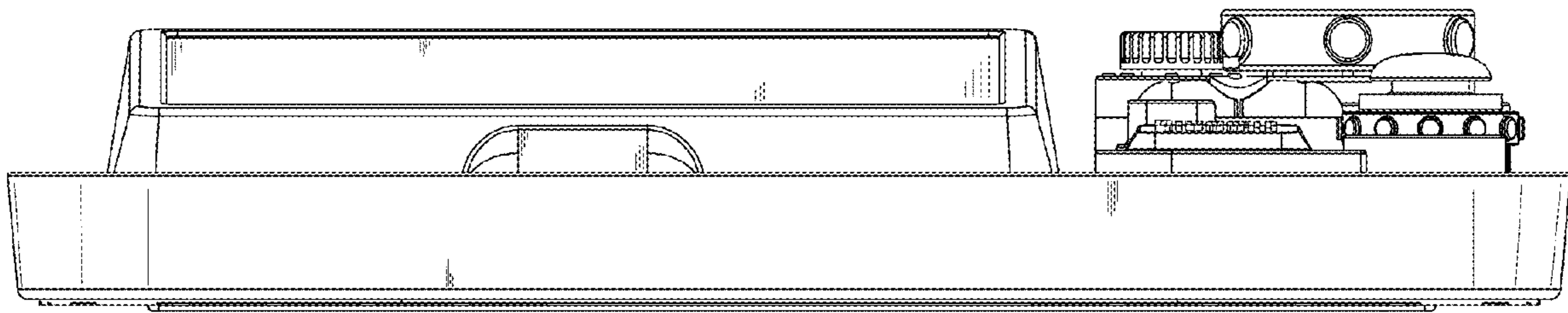


FIG.9