



US00D930739S

(12) **United States Design Patent** (10) **Patent No.:** **US D930,739 S**
Stolarski (45) **Date of Patent:** **** Sep. 14, 2021**

(54) **LAMP WITH KEYBOARD**
(71) Applicant: **YAMAHA CORPORATION**,
Hamamatsu (JP)
(72) Inventor: **Piotr Tomasz Stolarski**, Hamamatsu
(JP)
(73) Assignee: **YAMAHA CORPORATION**,
Hamamatsu (JP)
(**) Term: **15 Years**
(21) Appl. No.: **29/603,188**
(22) Filed: **May 8, 2017**
(30) **Foreign Application Priority Data**
Nov. 9, 2016 (JP) 2016-024413
(51) **LOC (13) Cl.** **17-01**
(52) **U.S. Cl.**
USPC **D17/7**
(58) **Field of Classification Search**
USPC D17/1-9, 20, 24, 99; D3/204; D19/150;
D21/409, 586
CPC F21L 2003/00; F21L 4/00; F21L 4/005;
F21L 4/02; F21L 4/025; F21L 4/027;
F21L 4/04; F21L 4/08; F21L 2005/00;
F21L 7/00; F21L 11/00; F21L 13/00;
F21L 13/04; F21L 13/08; F21L 14/02;
F21L 17/00; F21L 19/00; F21L 25/00;
G10F 1/02; G10C 3/12
See application file for complete search history.

(56) **References Cited**
U.S. PATENT DOCUMENTS
D555,713 S * 11/2007 Mikage D17/7
D572,299 S * 7/2008 Sakaguchi D17/1
D597,587 S * 8/2009 Bailey D17/7

D599,396 S * 9/2009 Davey D17/1
D669,116 S * 10/2012 Fukuoka D17/9
D673,207 S * 12/2012 Miura D17/7
D719,609 S * 12/2014 Takei D17/1
D760,837 S * 7/2016 Schnell D17/9
D774,127 S * 12/2016 Mitsuishi D17/7
D805,126 S * 12/2017 Inagaki D17/1
D827,018 S * 8/2018 Stolarski D17/7

* cited by examiner
Primary Examiner — Michelle E. Wilson
(74) *Attorney, Agent, or Firm* — Sughrue Mion, PLLC

(57) **CLAIM**
The ornamental design for a lamp with keyboard, as shown and described.

DESCRIPTION
FIG. 1 is a perspective view of the front, top and right side of a lamp with keyboard showing my new design;
FIG. 2 is a front view thereof;
FIG. 3 is a rear view thereof;
FIG. 4 is a left side view thereof, the right side view is a mirror image of the left side view;
FIG. 5 is a top plan view thereof;
FIG. 6 is a bottom plan view thereof;
FIG. 7 is an enlarged view at a portion indicated by a line of the reference number 7 in FIG. 1;
FIG. 8 is a perspective view showing light-up positions of the lamp; and,
FIG. 9 is an enlarged view at a portion indicated by a line of the reference number 9 in FIG. 8.
The lamp sequentially lights up from the upper positions to the lower positions to guide the keys to be pressed as shown in FIGS. 11 to 16.
The broken line showing of the lamp with keyboard is included for the purpose of illustrating unclaimed portions of the lamp with keyboard and forms no part of the claimed design.

1 Claim, 6 Drawing Sheets

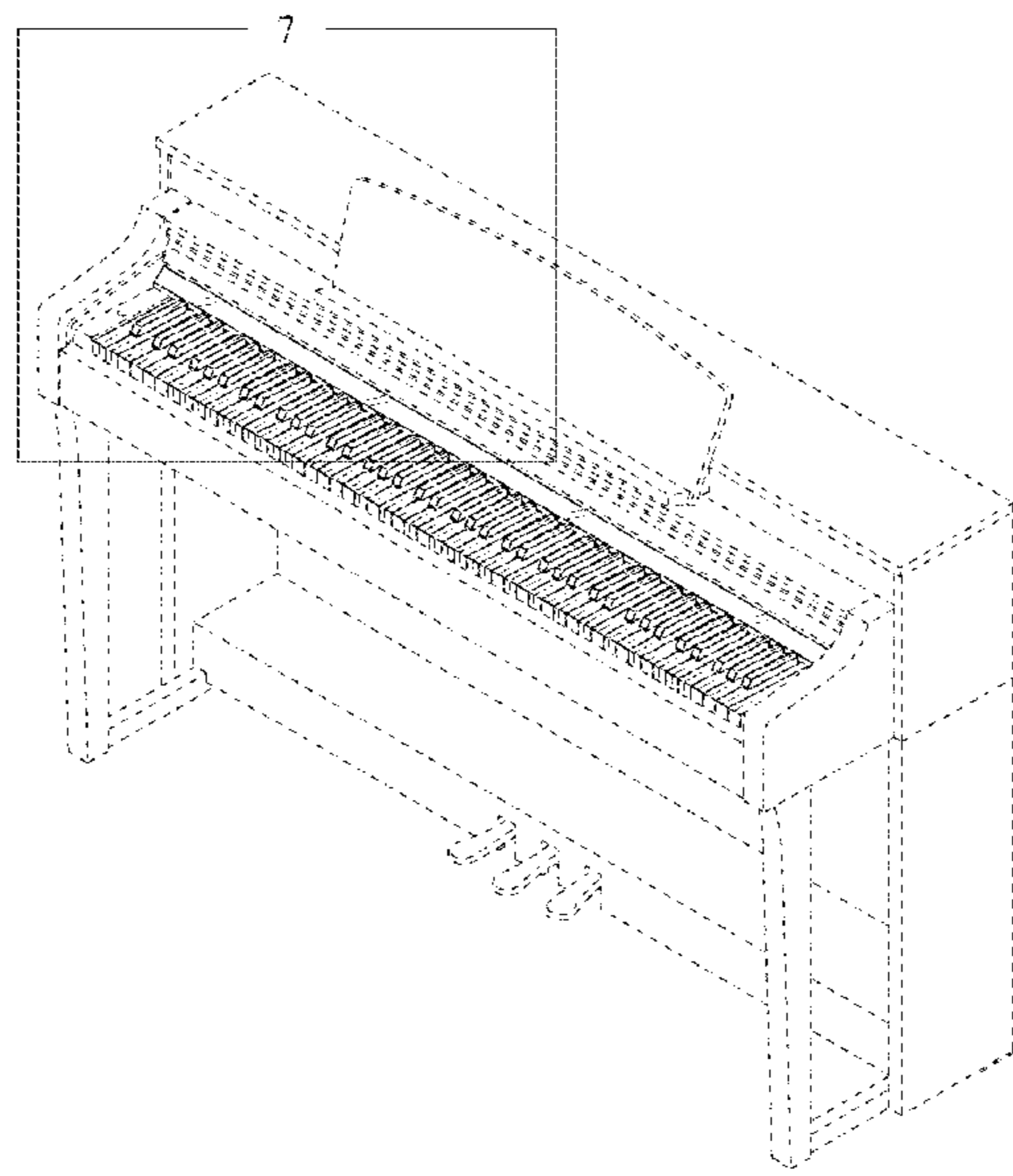


Fig. 1

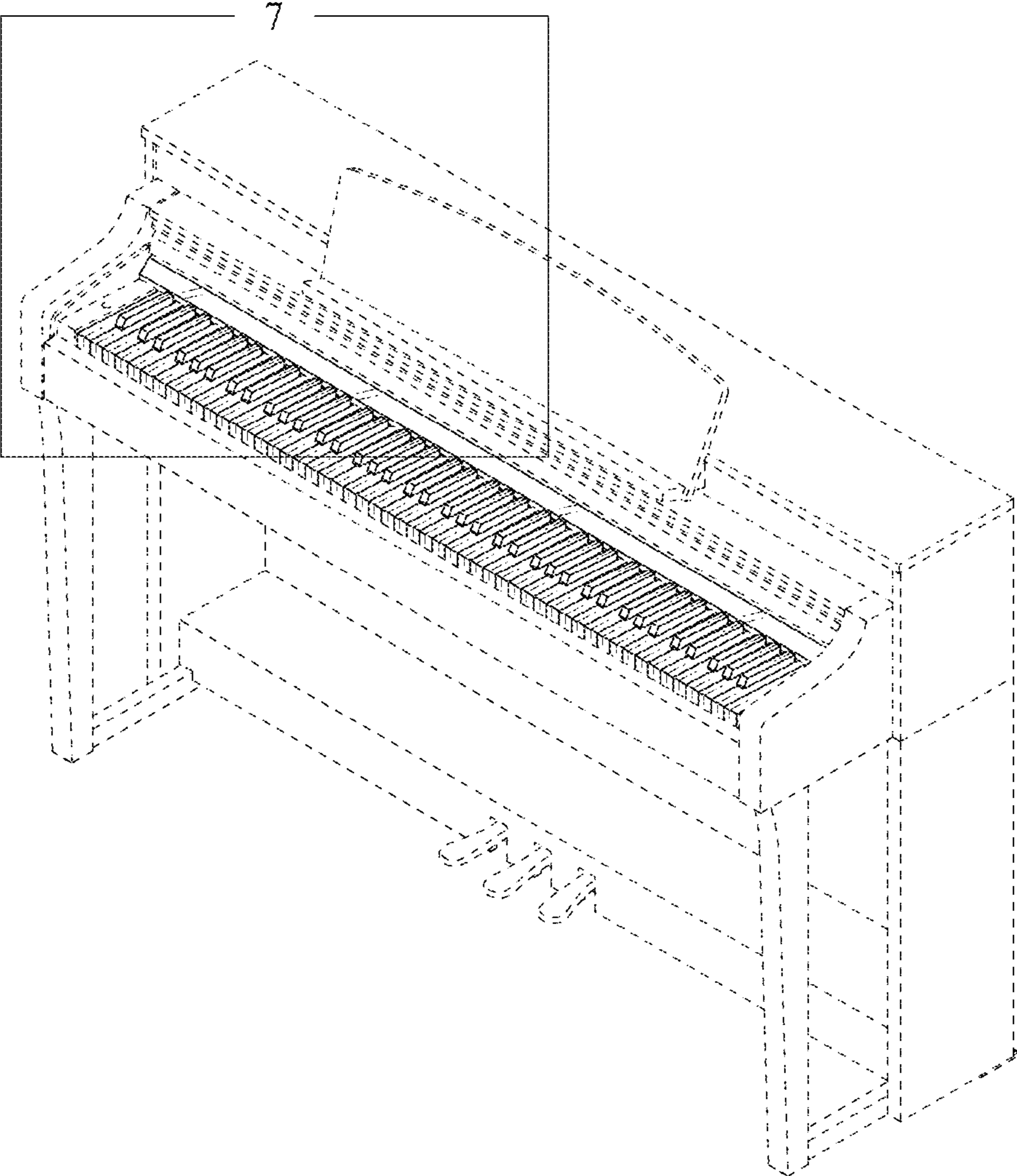


Fig. 2

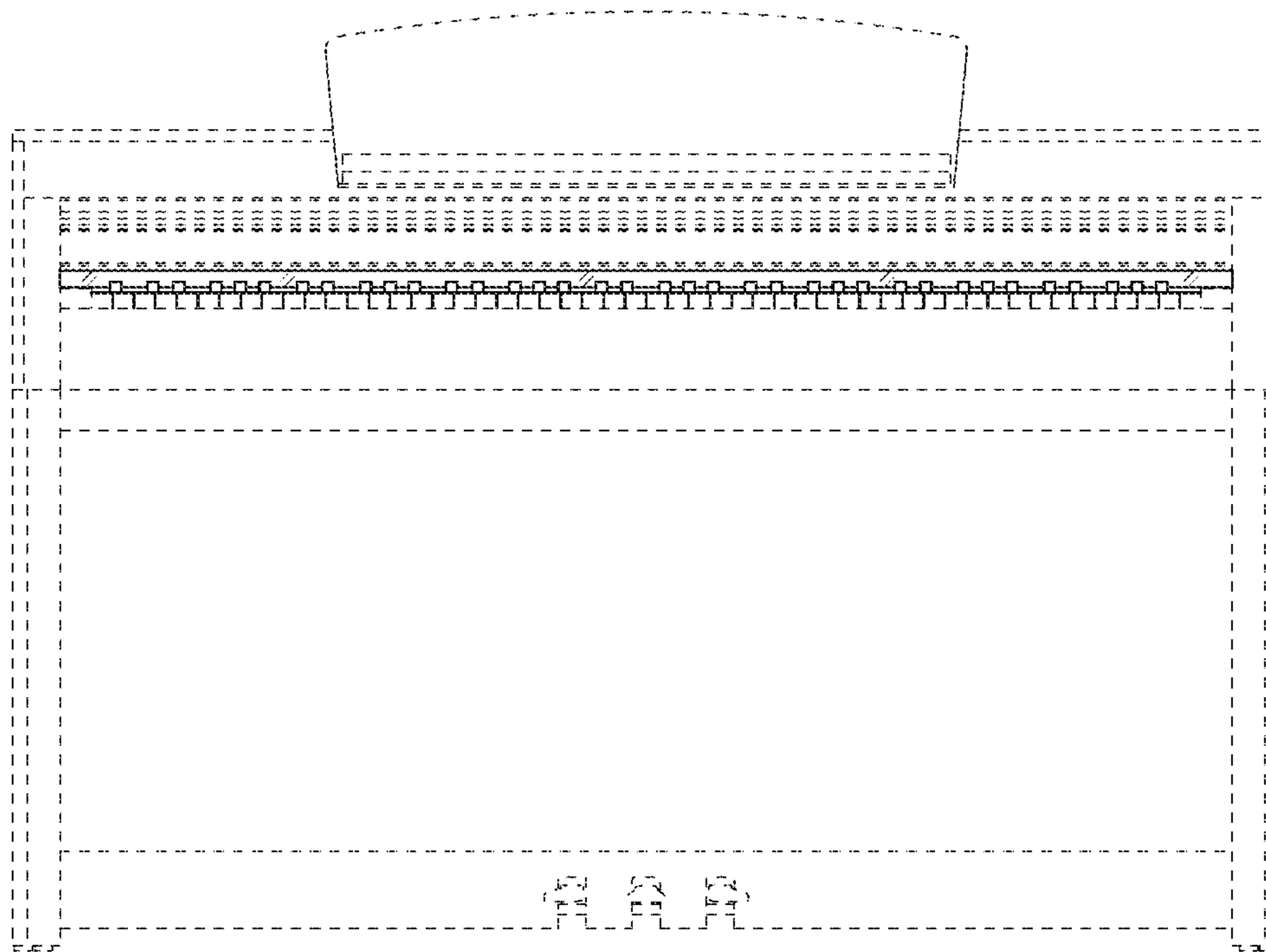


Fig. 3

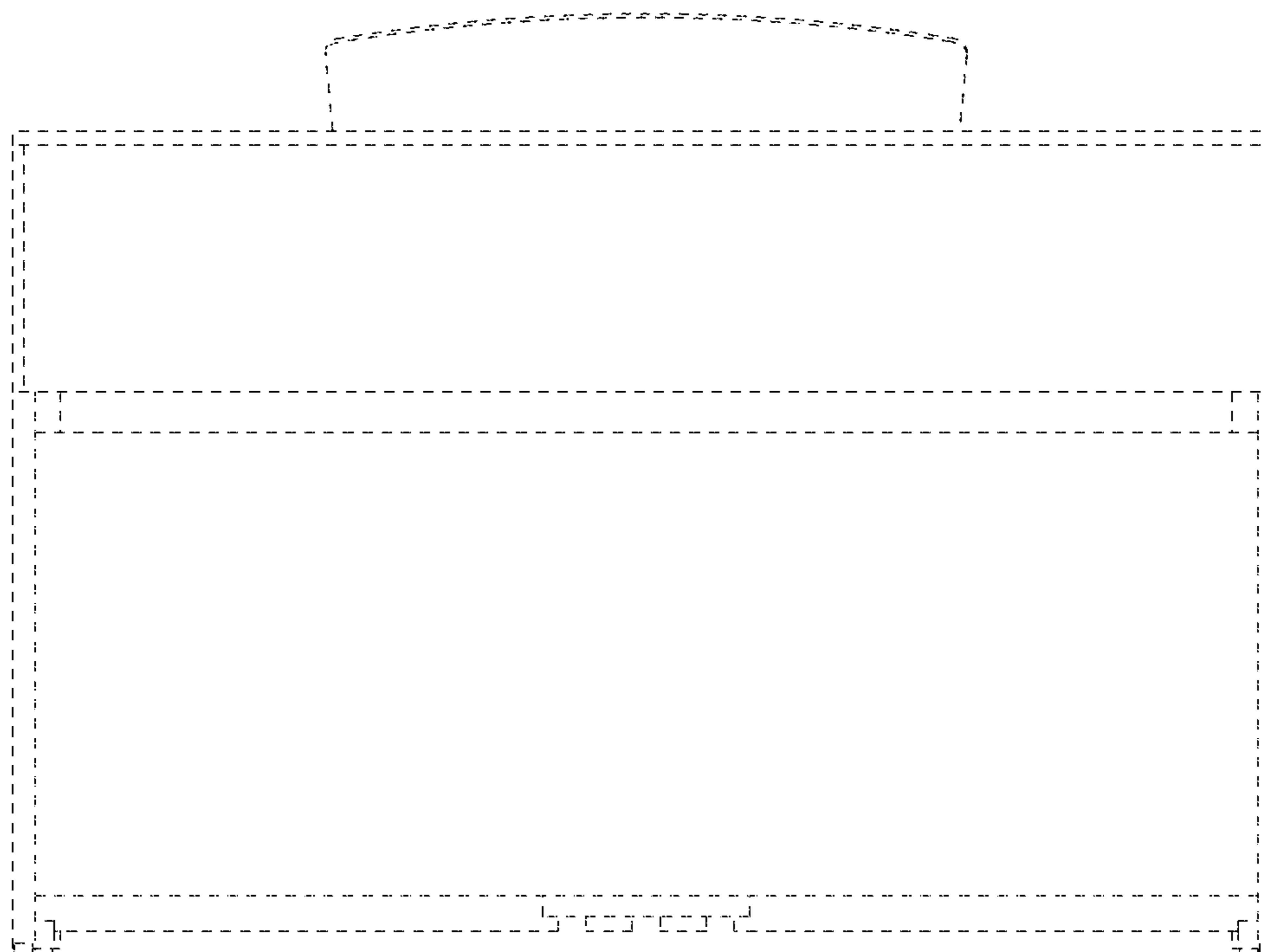


Fig. 4

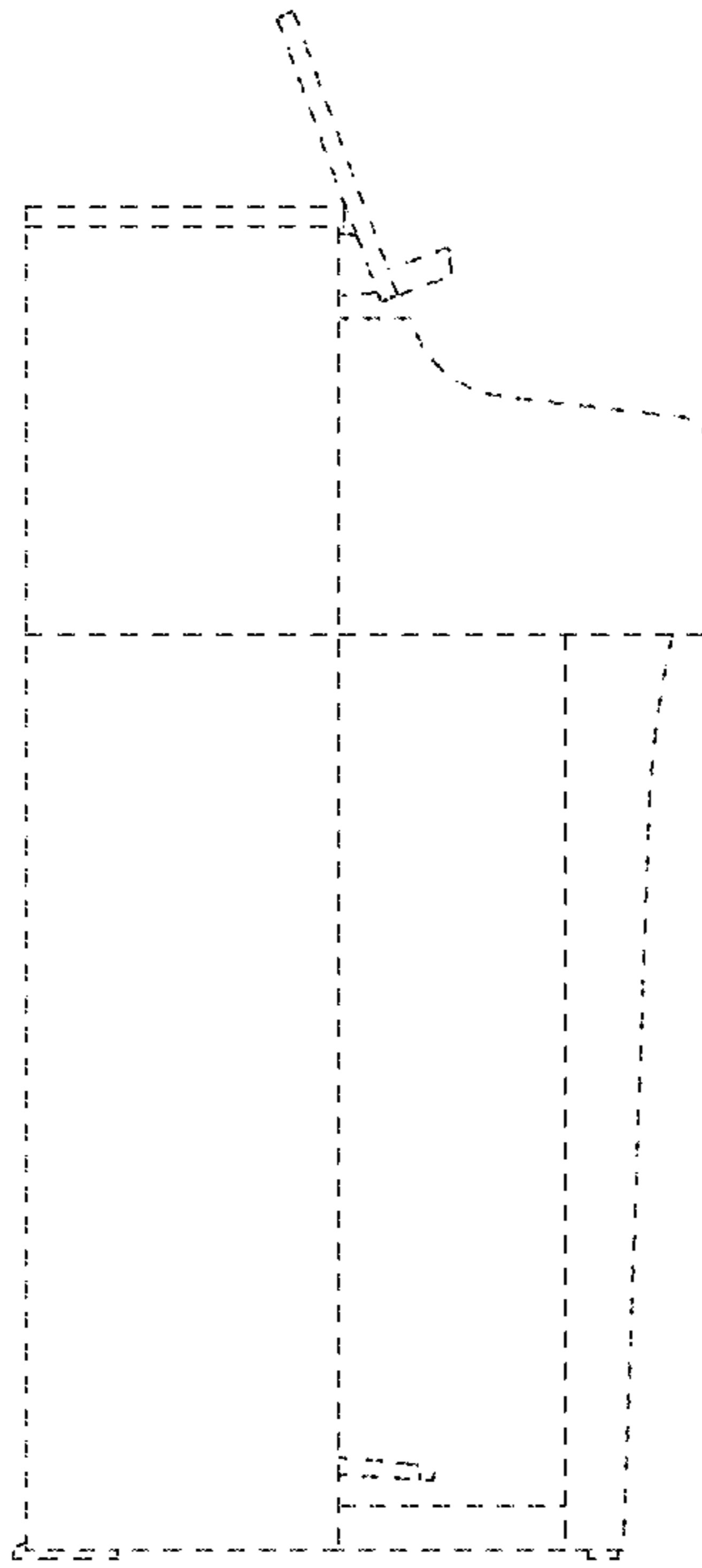


Fig. 5

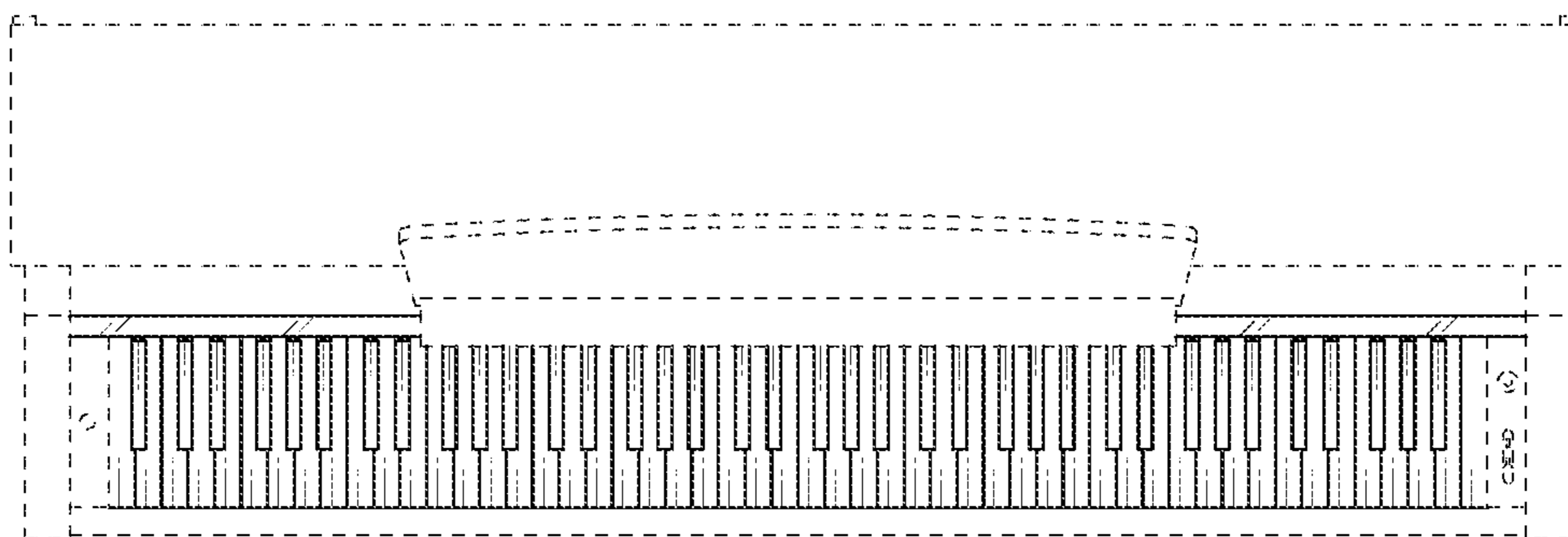


Fig. 6

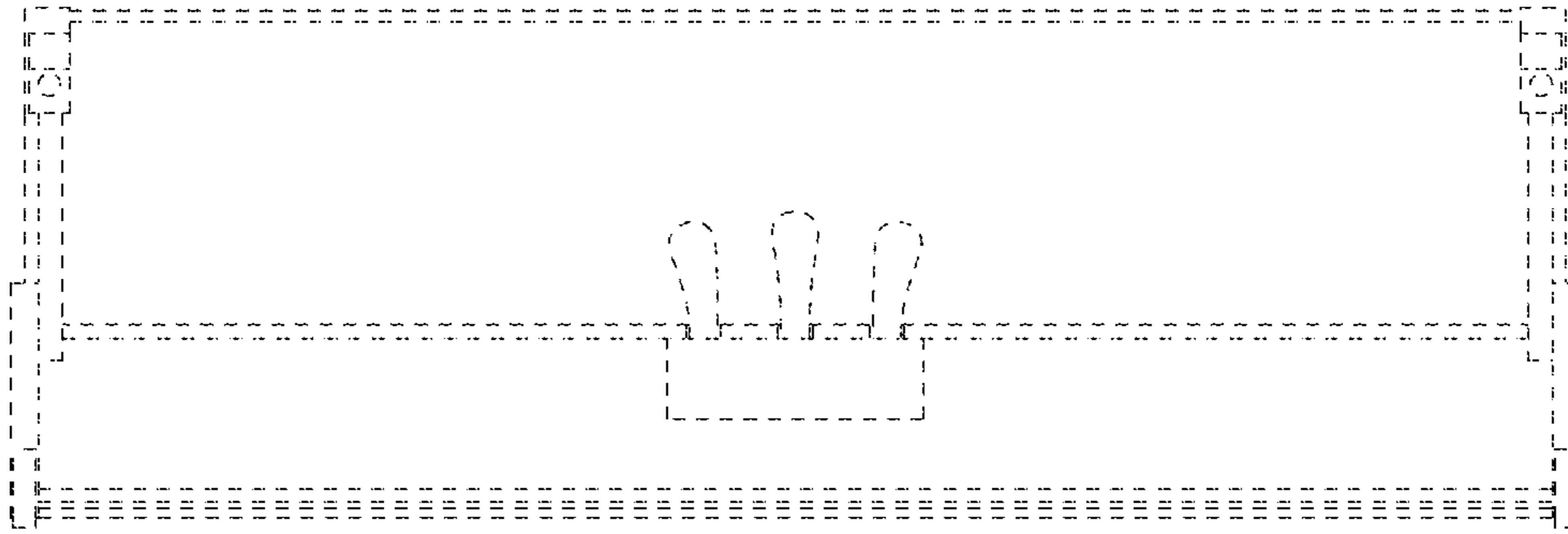


Fig. 7

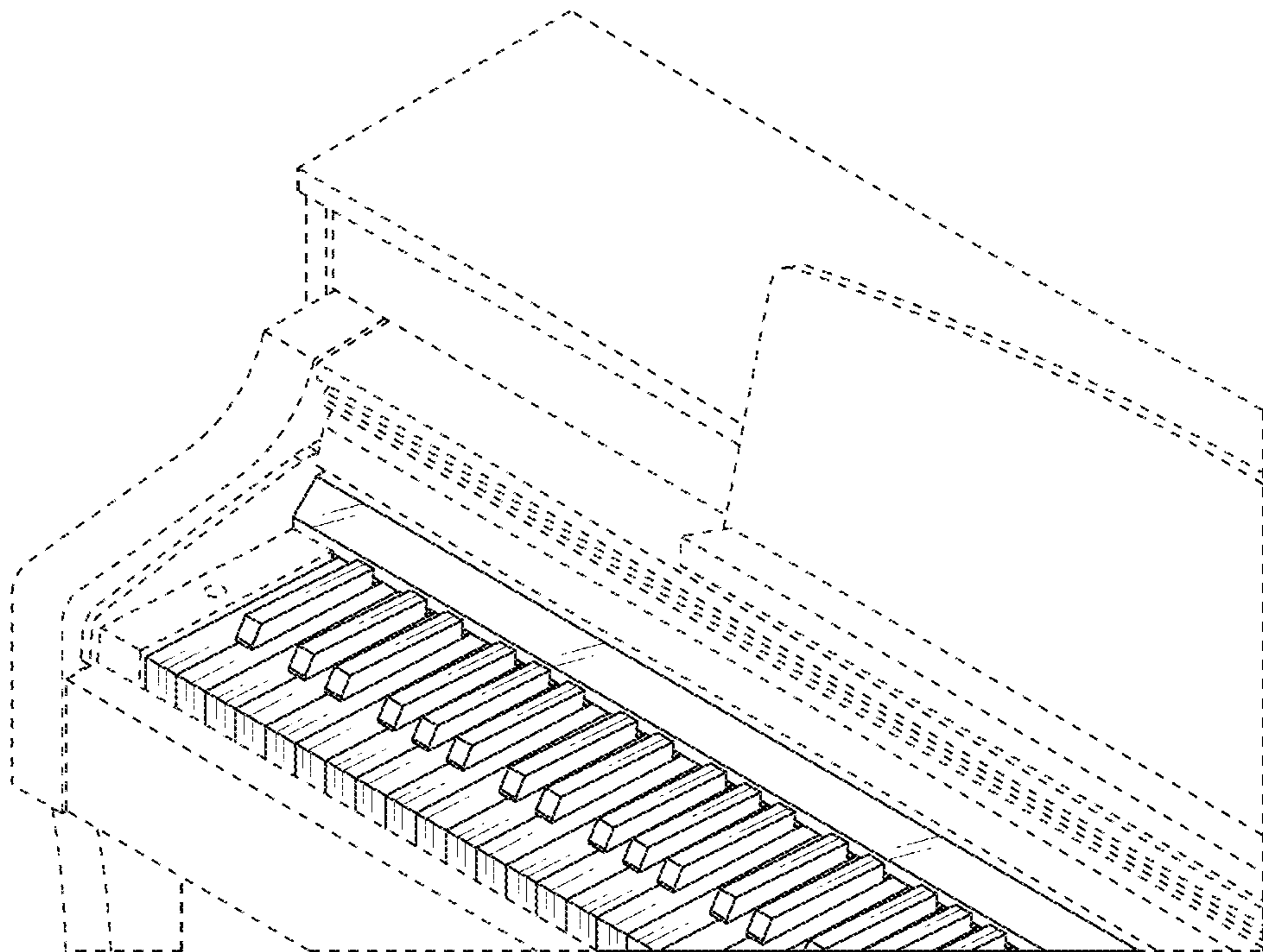


Fig. 8

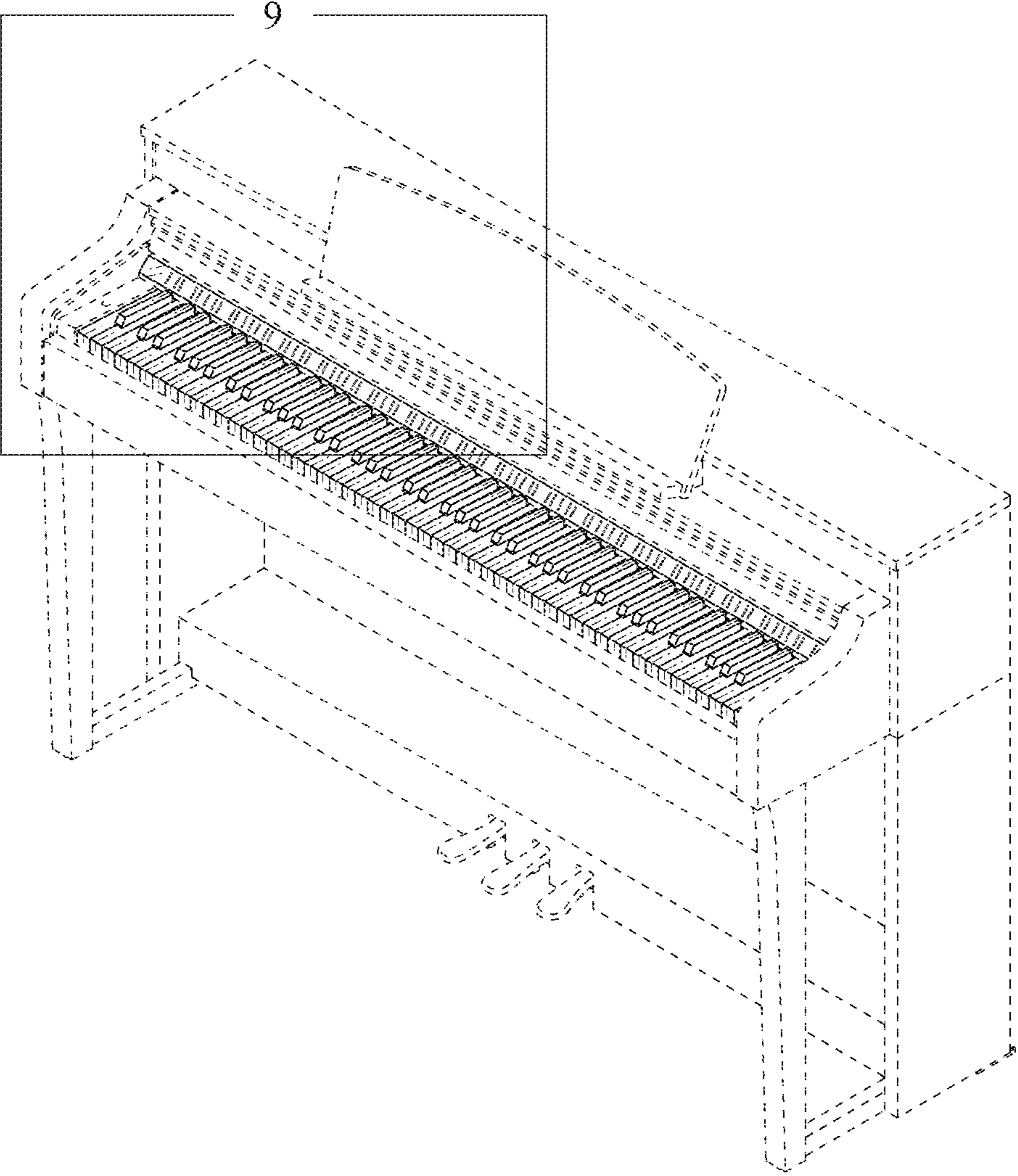


Fig. 9

