



US00D930738S

(12) **United States Design Patent** (10) **Patent No.:** **US D930,738 S**  
**Ni** (45) **Date of Patent:** **\*\* Sep. 14, 2021**

(54) **GLASSES**  
(71) Applicant: **Jinwei Ni**, Guangdong (CN)  
(72) Inventor: **Jinwei Ni**, Guangdong (CN)  
(\*\*) Term: **15 Years**

D899,495 S \* 10/2020 Cohen ..... D16/309  
D899,496 S \* 10/2020 Cohen ..... D16/309  
D899,497 S \* 10/2020 Cohen ..... D16/309  
D899,498 S \* 10/2020 Cohen ..... D16/309  
D899,499 S \* 10/2020 Cohen ..... D16/309  
D899,500 S \* 10/2020 Cohen ..... D16/309

(Continued)

(21) Appl. No.: **29/719,209**  
(22) Filed: **Jan. 2, 2020**

**OTHER PUBLICATIONS**

Mingzhi Frame—Smart Eyewear, posted at amazon.com, posting date Jul. 18, 2020, [online], [site visited Jun. 17, 2021]. Available from Internet, URL: <https://www.amazon.com/Mingzhi-K2-Bluetooth-Polarizing-Blue-ray/dp/B08D3JKTCQ> (Year: 2020).\*

(Continued)

(30) **Foreign Application Priority Data**

Aug. 21, 2019 (CN) ..... 201930454695.4

(51) **LOC (13) Cl.** ..... **16-06**  
(52) **U.S. Cl.**

USPC ..... **D16/326**

(58) **Field of Classification Search**

USPC ..... D16/300, 309, 310, 315, 322, 323, 326,  
D16/327, 329, 335, 340

CPC ..... G02C 2200/08; G02C 5/14; G02C 7/10;  
G02C 5/008

See application file for complete search history.

*Primary Examiner* — George D. Kirschbaum  
*Assistant Examiner* — Maria J. Edwards  
(74) *Attorney, Agent, or Firm* — W&K IP

(57) **CLAIM**

The ornamental design for glasses, as shown and described.

**DESCRIPTION**

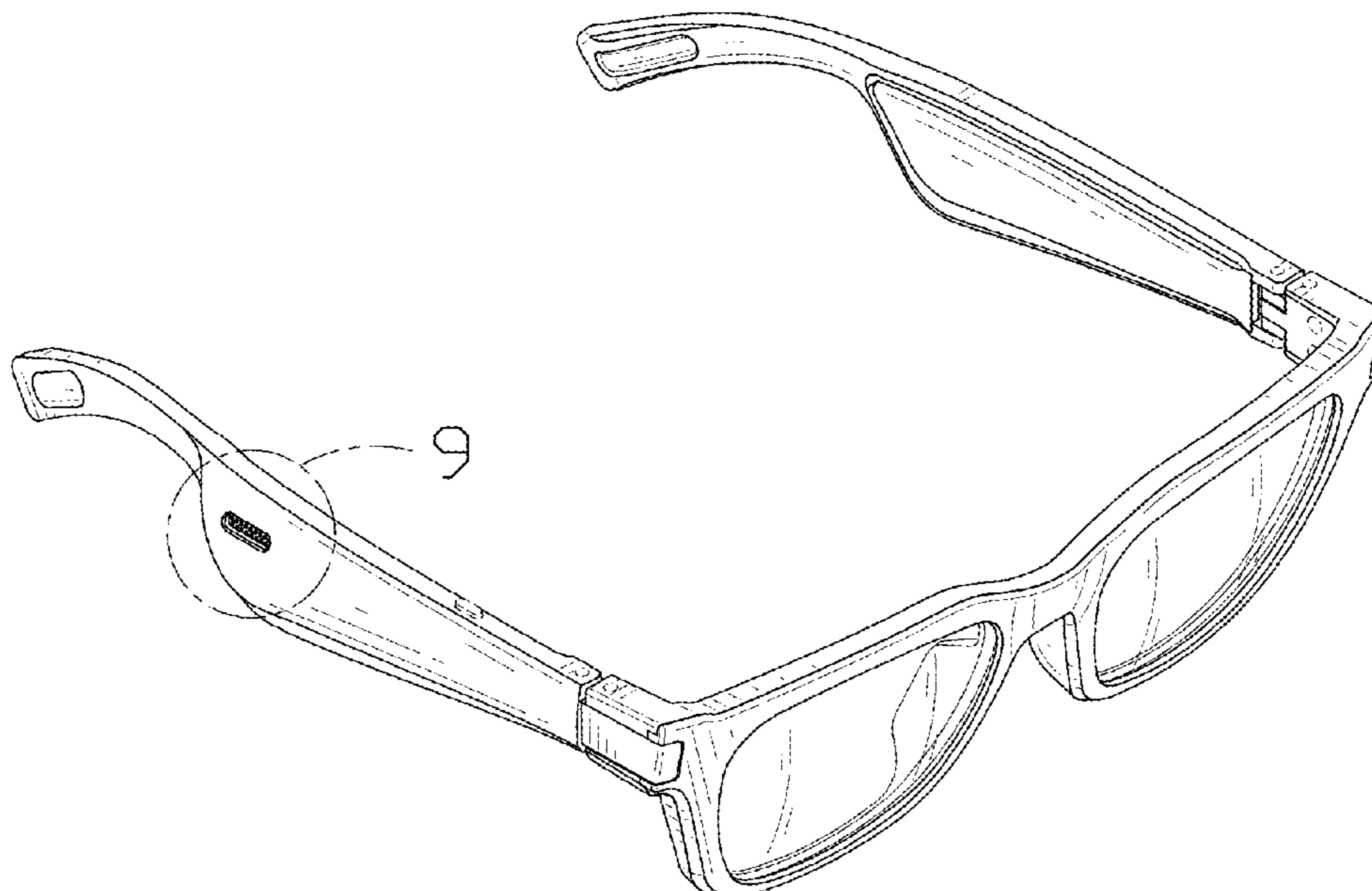
FIG. 1 is a front perspective view of glasses, showing my new design;  
FIG. 2 is a rear perspective view thereof;  
FIG. 3 is a front elevational view thereof;  
FIG. 4 is a rear elevational view thereof;  
FIG. 5 is a left side elevational view thereof;  
FIG. 6 is a right side elevational view thereof;  
FIG. 7 is a top plan view thereof;  
FIG. 8 is a bottom plan view thereof; and,  
FIG. 9 is an enlarged, view of a portion indicated in FIG. 1. The broken lines in the figures illustrate portions of the glasses that form no part of the claimed design. The dash dot dash lines in FIGS. 1 and 9 are for the purpose of depicting the cut line of the enlarged view and form no part of the claim.

(56) **References Cited**

**U.S. PATENT DOCUMENTS**

D207,919 S \* 6/1967 Fai ..... D16/309  
D791,218 S \* 7/2017 Dal Pont ..... D16/326  
D816,761 S \* 5/2018 Lalush ..... D16/326  
D823,373 S \* 7/2018 Hong ..... D16/309  
10,379,376 B2 \* 8/2019 Kuczewski ..... G02C 5/146  
D862,573 S \* 10/2019 Liu ..... D16/326  
D864,283 S \* 10/2019 Williams ..... D16/300  
D865,040 S \* 10/2019 Schaal ..... D16/309  
D870,190 S \* 12/2019 Lebel ..... D16/300  
D875,817 S \* 2/2020 Schaal ..... D16/309  
D898,809 S \* 10/2020 Abloh ..... D16/300  
D899,493 S \* 10/2020 Cohen ..... D16/309  
D899,494 S \* 10/2020 Cohen ..... D16/309

**1 Claim, 9 Drawing Sheets**



(56)

**References Cited**

U.S. PATENT DOCUMENTS

D900,203 S \* 10/2020 Cohen ..... D16/309  
D900,204 S \* 10/2020 Cohen ..... D16/309  
D900,205 S \* 10/2020 Cohen ..... D16/309  
D900,206 S \* 10/2020 Cohen ..... D16/309  
D900,920 S \* 11/2020 Cohen ..... D16/309

OTHER PUBLICATIONS

Portable A11 Fold Sun Glasses, posted at alibaba.com, posting date not given, [online], [site visited Jun. 17, 2021]. Available from Internet, URL: [https://www.alibaba.com/product-detail/Portable-A11-Fold-Sun-Glasses-Magnetic\\_1600118219864.html](https://www.alibaba.com/product-detail/Portable-A11-Fold-Sun-Glasses-Magnetic_1600118219864.html) (Year: 2021).\*

Smart glasses, posted at globalsources.com, posting date not given, [online], [site visited Jun. 17, 2021]. Available from Internet, URL: <https://www.globalsources.com/Smart-glasses/Smart-glasses-myopia-prevention-children-glasses-1174046648p.htm#1174046648> (Year: 2021).\*

Smart glasses android, posted at globalsources.com, posting date not given, [online], [site visited Jun. 17, 2021]. Available from Internet, URL: <https://www.globalsources.com/Smart-glasses/smart-glasses-android-1178250091p.htm#1178250091> (Year: 2021).\*

\* cited by examiner

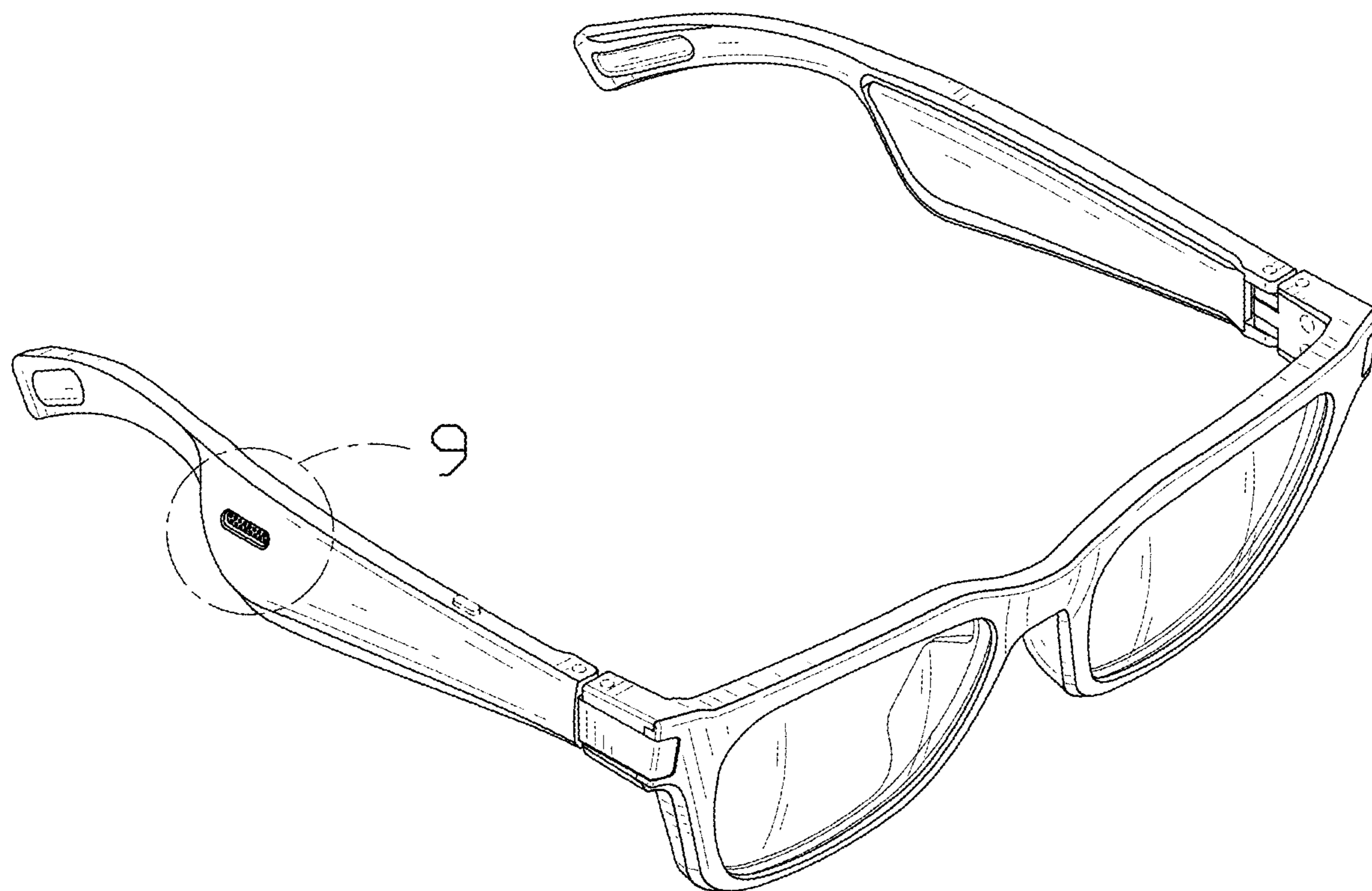


FIG. 1

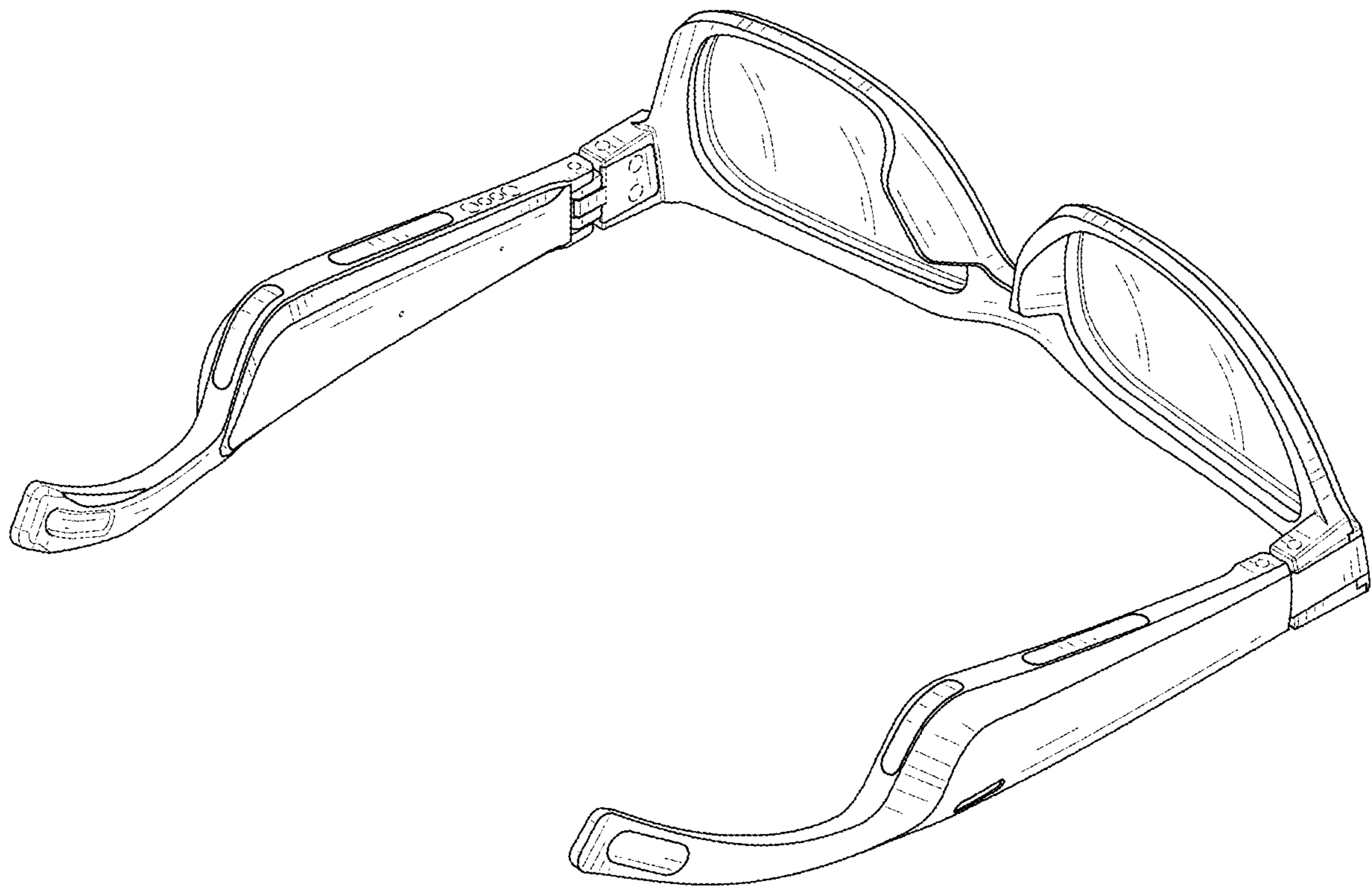


FIG. 2

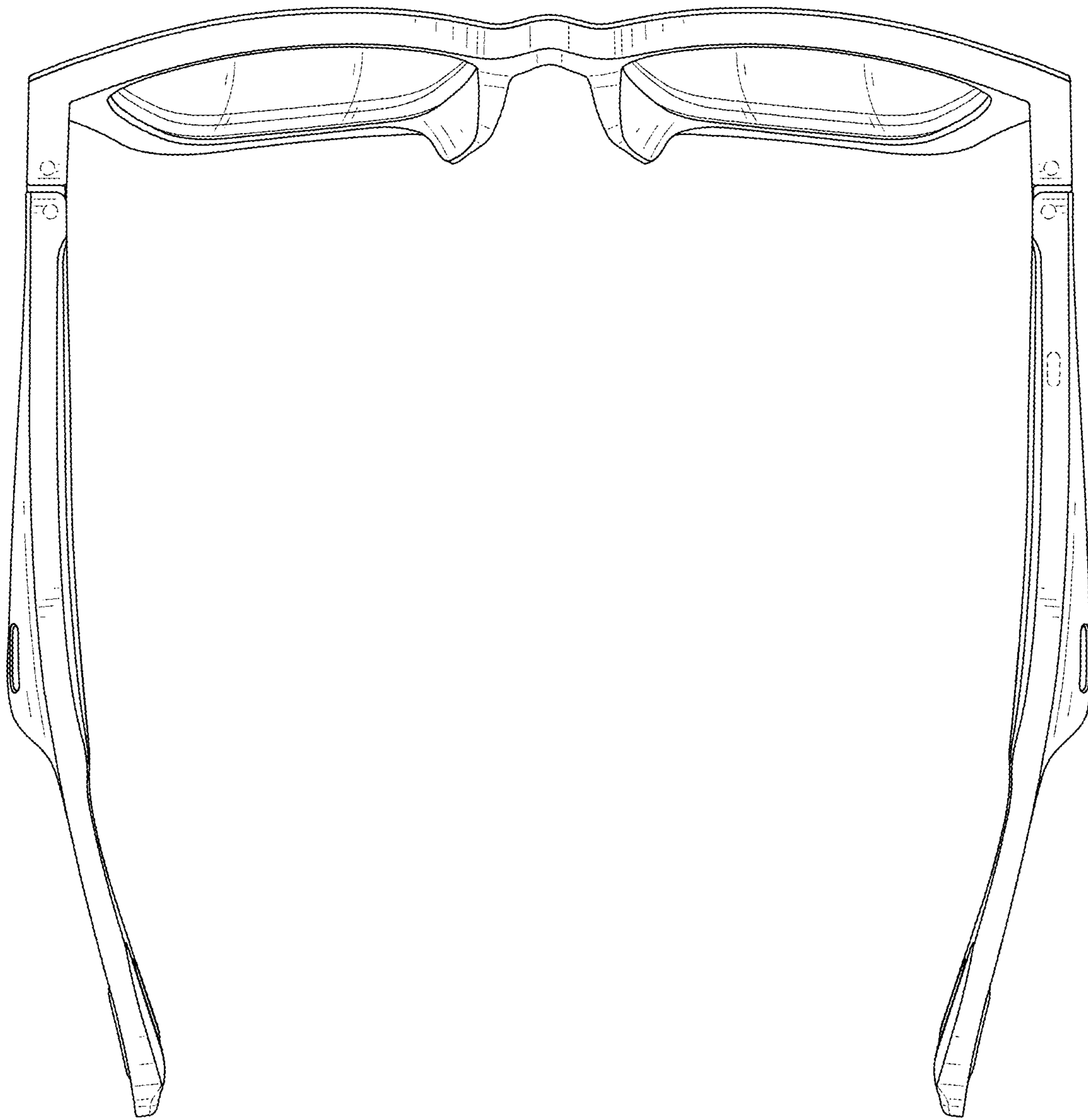


FIG. 3

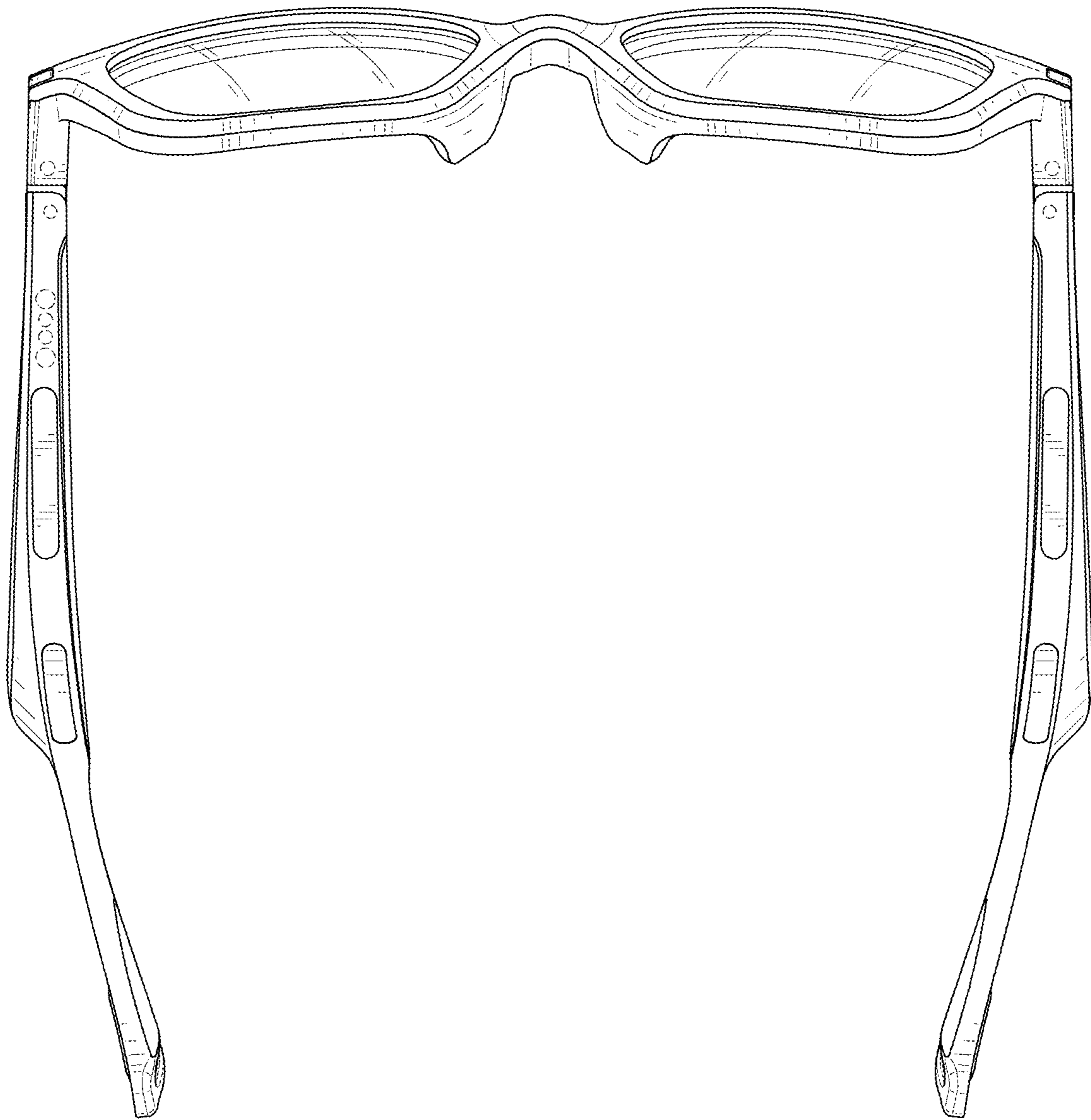


FIG. 4

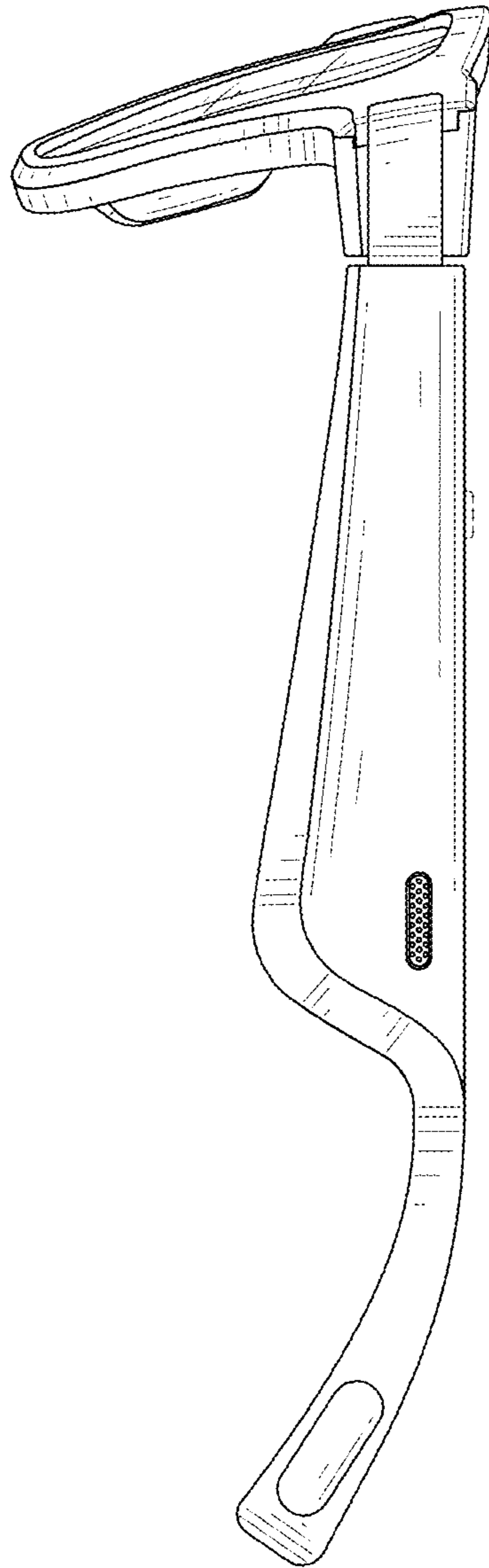


FIG. 5

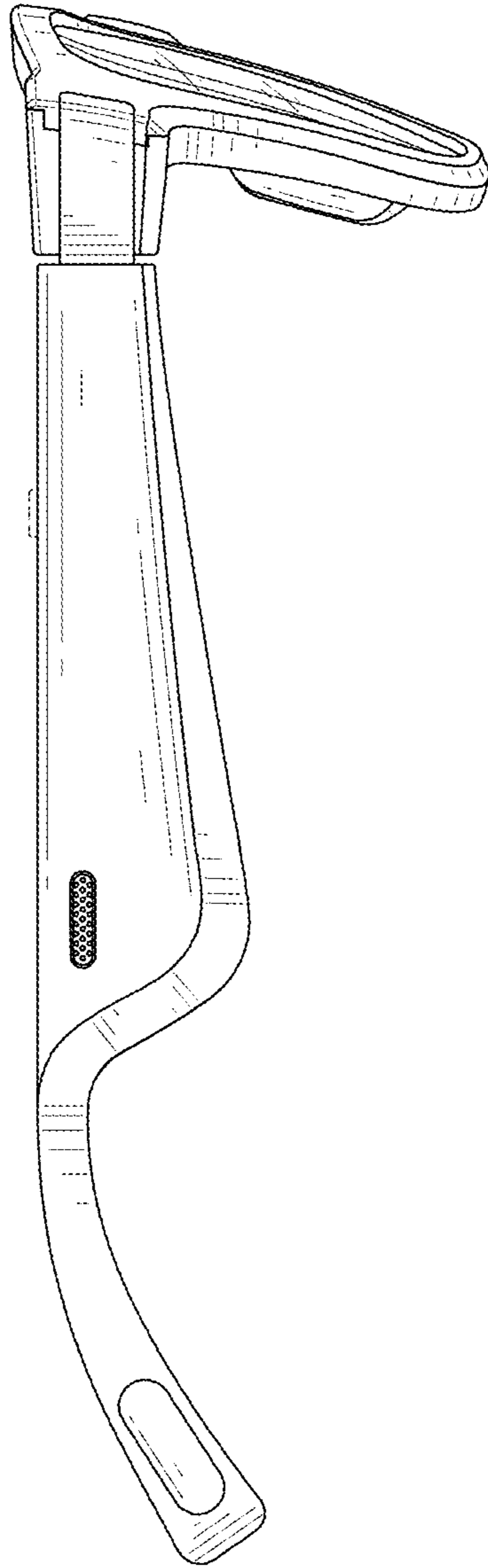


FIG. 6



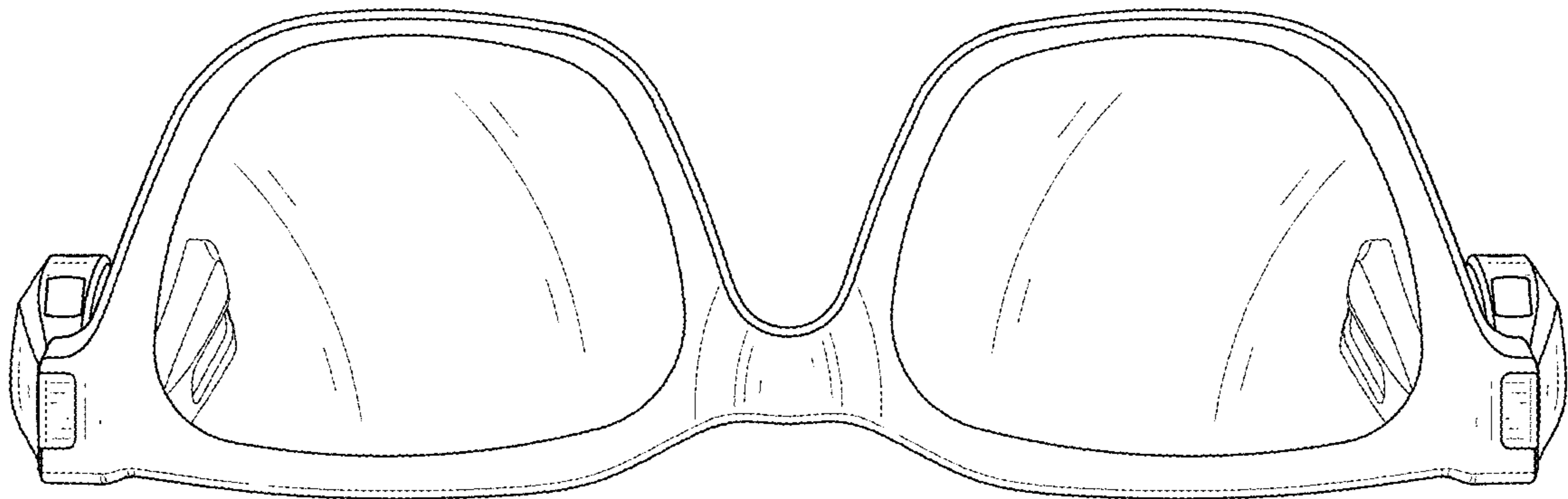


FIG. 7

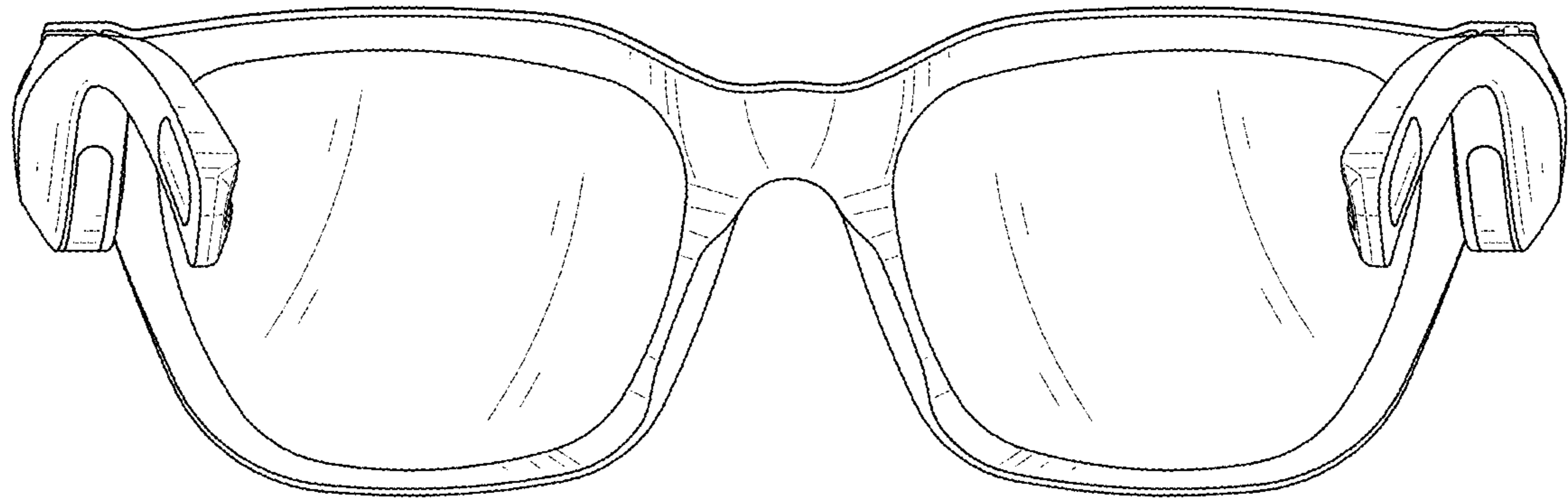


FIG. 8

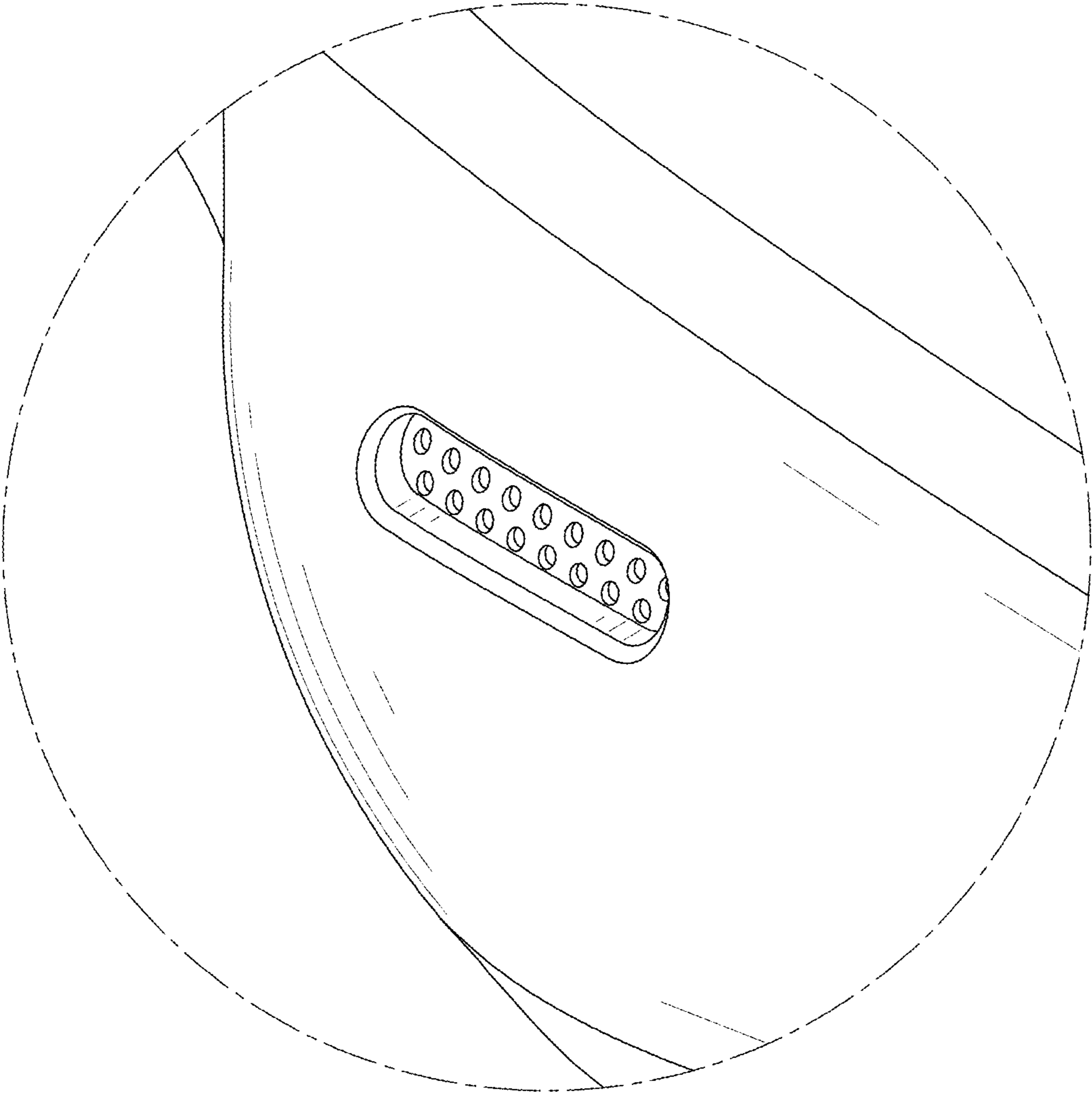


FIG. 9