



US00D930734S

(12) **United States Design Patent**
Li et al.

(10) **Patent No.:** **US D930,734 S**
(45) **Date of Patent:** **** Sep. 14, 2021**

(54) **TRIPOD**

(71) Applicant: **GUANGDONG SIRUI OPTICAL CO., LTD.**, Zhongshan (CN)

(72) Inventors: **Jie Li**, Zhongshan (CN); **Weiliang Zhong**, Zhongshan (CN); **Hang Chen**, Zhongshan (CN)

(73) Assignee: **GUANGDONG SIRUI OPTICAL CO., LTD.**, Zhongshan (CN)

(**) Term: **15 Years**

(21) Appl. No.: **29/697,292**

(22) Filed: **Jul. 7, 2019**

(30) **Foreign Application Priority Data**

Jan. 25, 2019 (CN) 201930044866.6

(51) **LOC (13) Cl.** **16-05**

(52) **U.S. Cl.**
USPC **D16/244**

(58) **Field of Classification Search**
USPC D16/219, 237-250; D8/354, 355, 363, D8/373, 382-383, 394-396; D14/224, D14/229, 238, 251, 253, 447, 451, 457
CPC A45F 5/00; A45F 5/10; A45F 2200/0508-0533; F16M 11/06-10; F16M 11/14; G02B 7/00-002; G03B 17/56; G03B 17/561-566; H04N 5/2253-2254
See application file for complete search history.

(56) **References Cited**

U.S. PATENT DOCUMENTS

6,983,916 B2 * 1/2006 Raynaud F16M 11/046
248/163.2
D607,037 S * 12/2009 Lee D16/244
9,383,632 B2 * 7/2016 Speggorin F16M 11/242

D807,421 S * 1/2018 Yin D16/244
D860,299 S * 9/2019 Li D16/244
2007/0090237 A1 * 4/2007 Hsu F16M 11/16
248/178.1
2007/0152115 A1 * 7/2007 Chou F16M 11/242
248/181.1
2008/0224000 A1 * 9/2008 Yang G03B 17/561
248/188.5
2009/0250567 A1 * 10/2009 Raynaud F16M 11/16
248/168
2010/0019109 A1 * 1/2010 Liu F16M 11/046
248/168
2011/0260016 A1 * 10/2011 Johnson F16M 11/16
248/168
2015/0338017 A1 * 11/2015 De Faveri F16M 11/16
396/428

(Continued)

OTHER PUBLICATIONS

A Series—SIRUI Optical Co. [online] Published on Aug. 15, 2019. Retrieved Oct. 20, 2020 from URL: <https://www.sirui.com/index/photographic/a.html>.*

(Continued)

Primary Examiner — Vy N Koenig
(74) *Attorney, Agent, or Firm* — Loeb & Loeb LLP

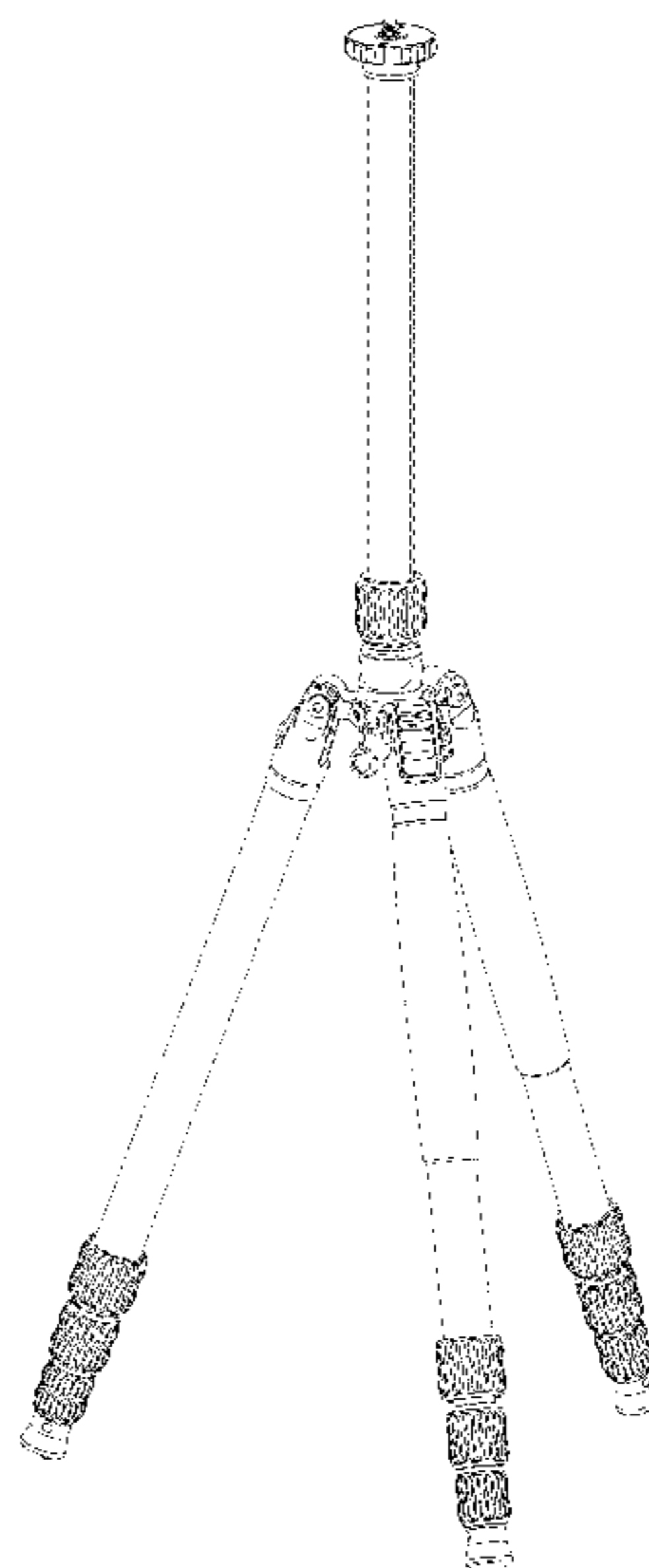
(57) **CLAIM**

The ornamental design for a tripod, as shown and described.

DESCRIPTION

FIG. 1 is a perspective view of a tripod showing our new design;
FIG. 2 is a front view thereof;
FIG. 3 is a rear view thereof;
FIG. 4 is a right side view thereof;
FIG. 5 is a left side view thereof;
FIG. 6 is a bottom view thereof; and,
FIG. 7 is a top view thereof.

1 Claim, 7 Drawing Sheets



(56)

References Cited

U.S. PATENT DOCUMENTS

2019/0003635 A1* 1/2019 Li F16M 11/245
2020/0292124 A1* 9/2020 Li F16M 11/16

OTHER PUBLICATIONS

Midwest Photo Induro Carbon 8X Tripod CT-213. [online] Retrieved
Oct. 20, 2020 from URL:[https://mpex.com/induro-carbon-8x-tripod-
ct-213.html](https://mpex.com/induro-carbon-8x-tripod-ct-213.html).*

* cited by examiner

FIG. 1

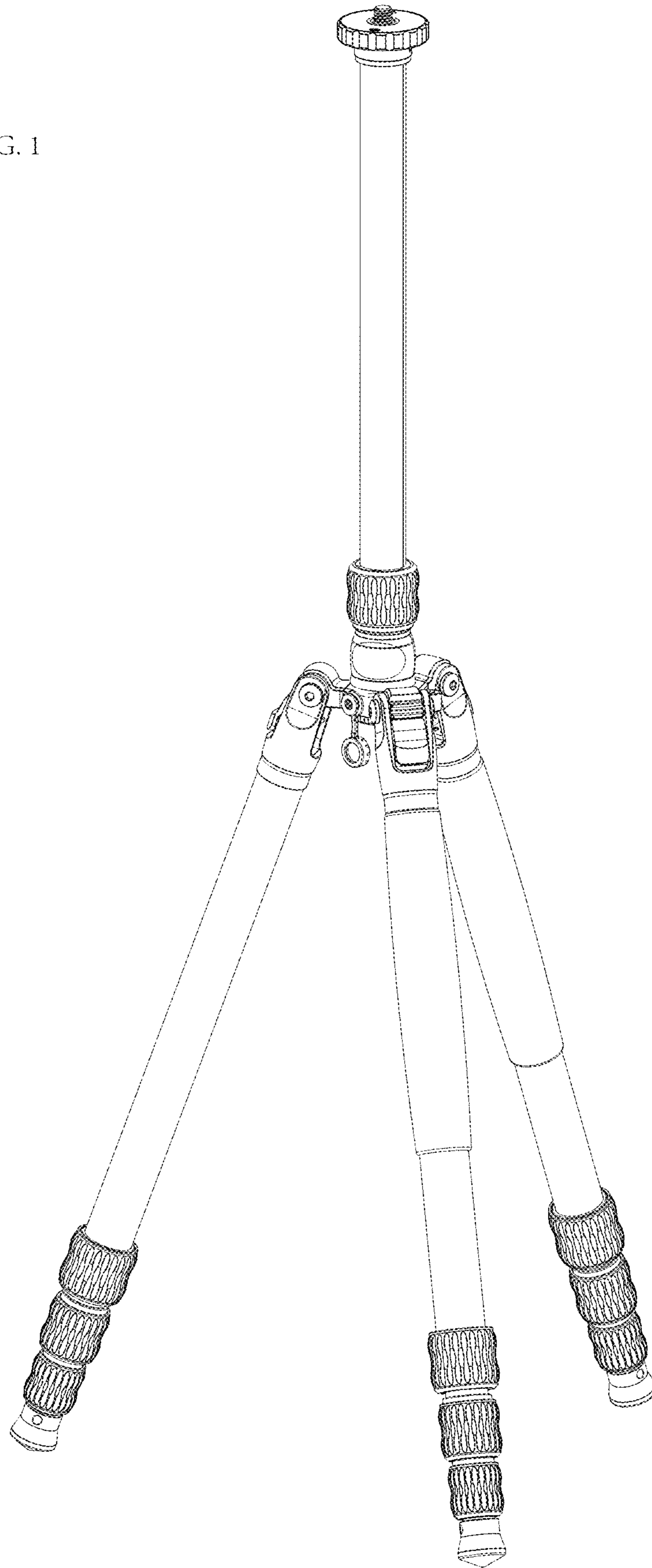
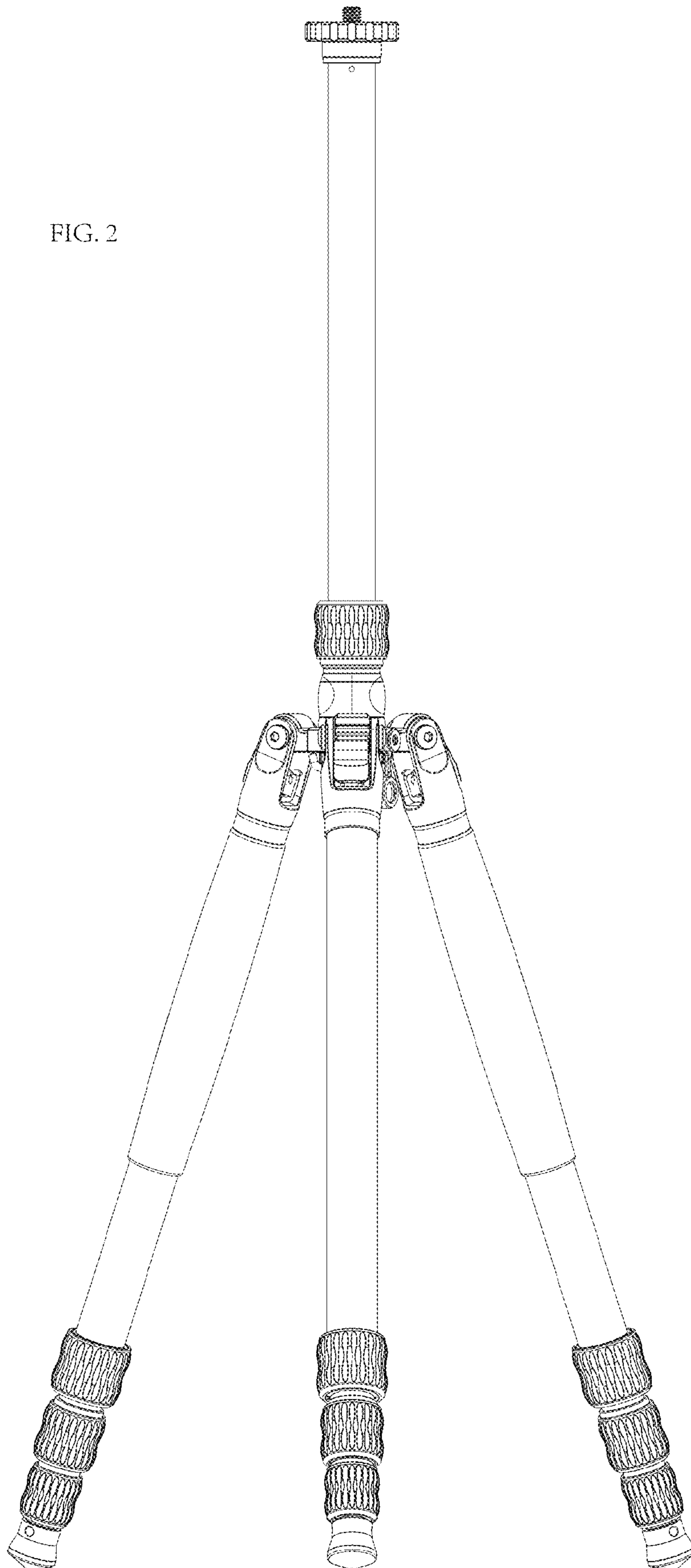


FIG. 2



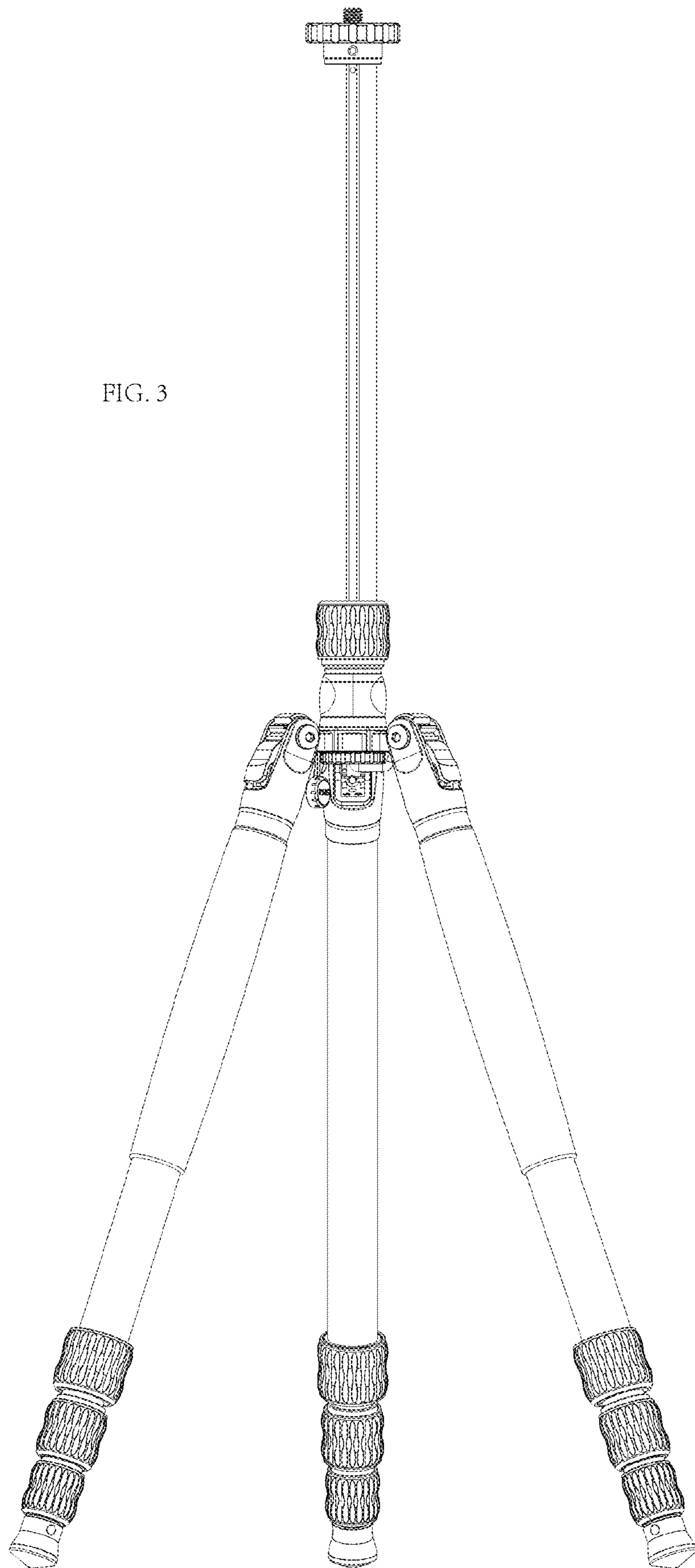


FIG. 3

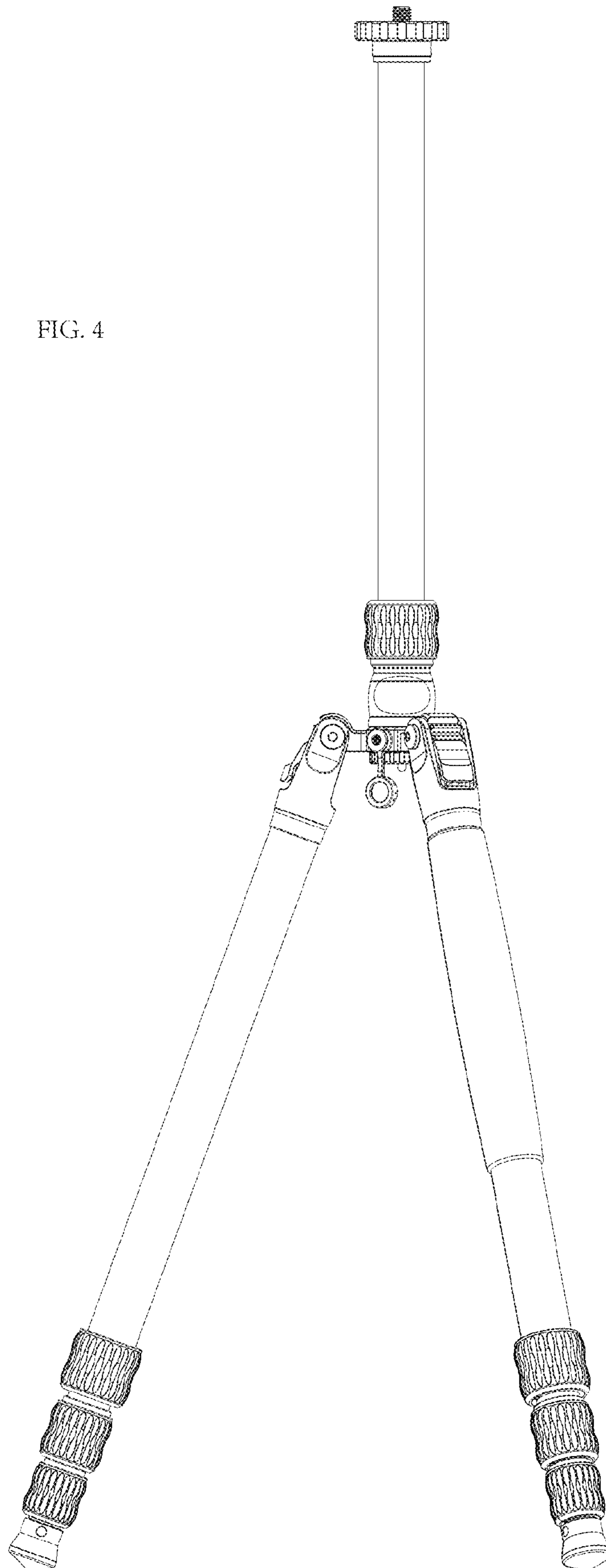


FIG. 5

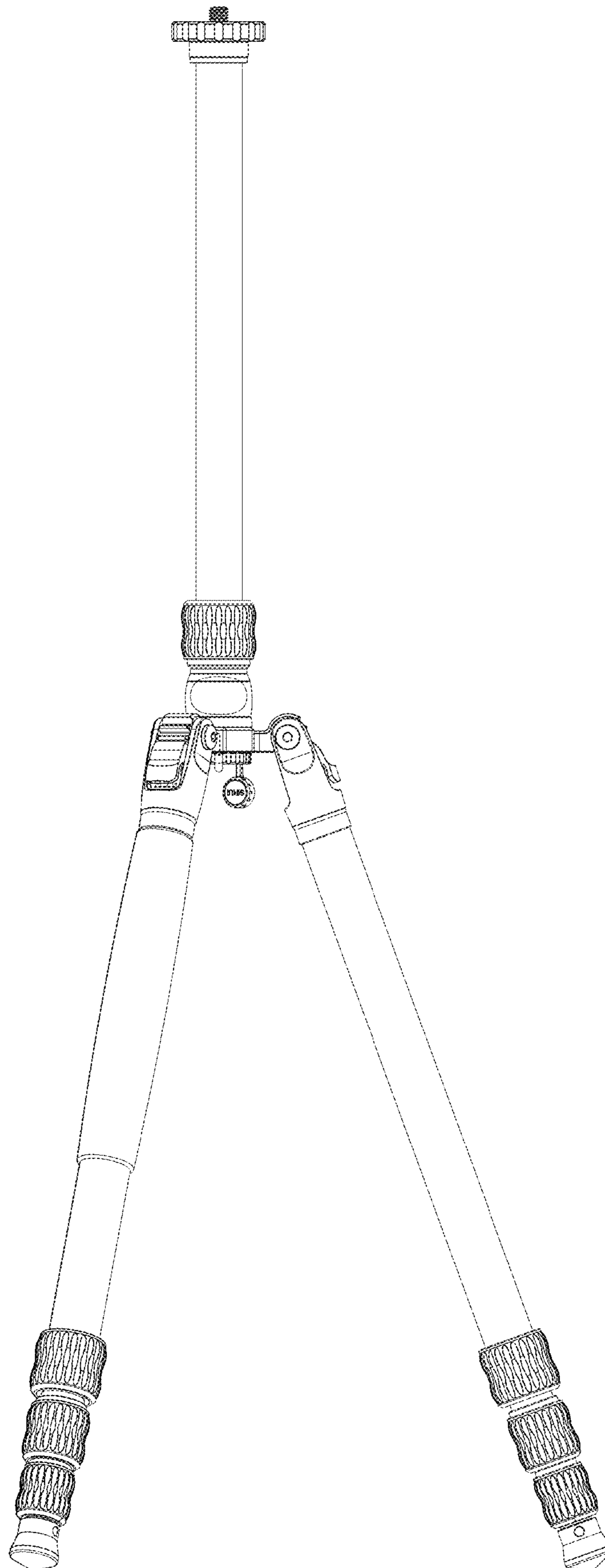


FIG. 6

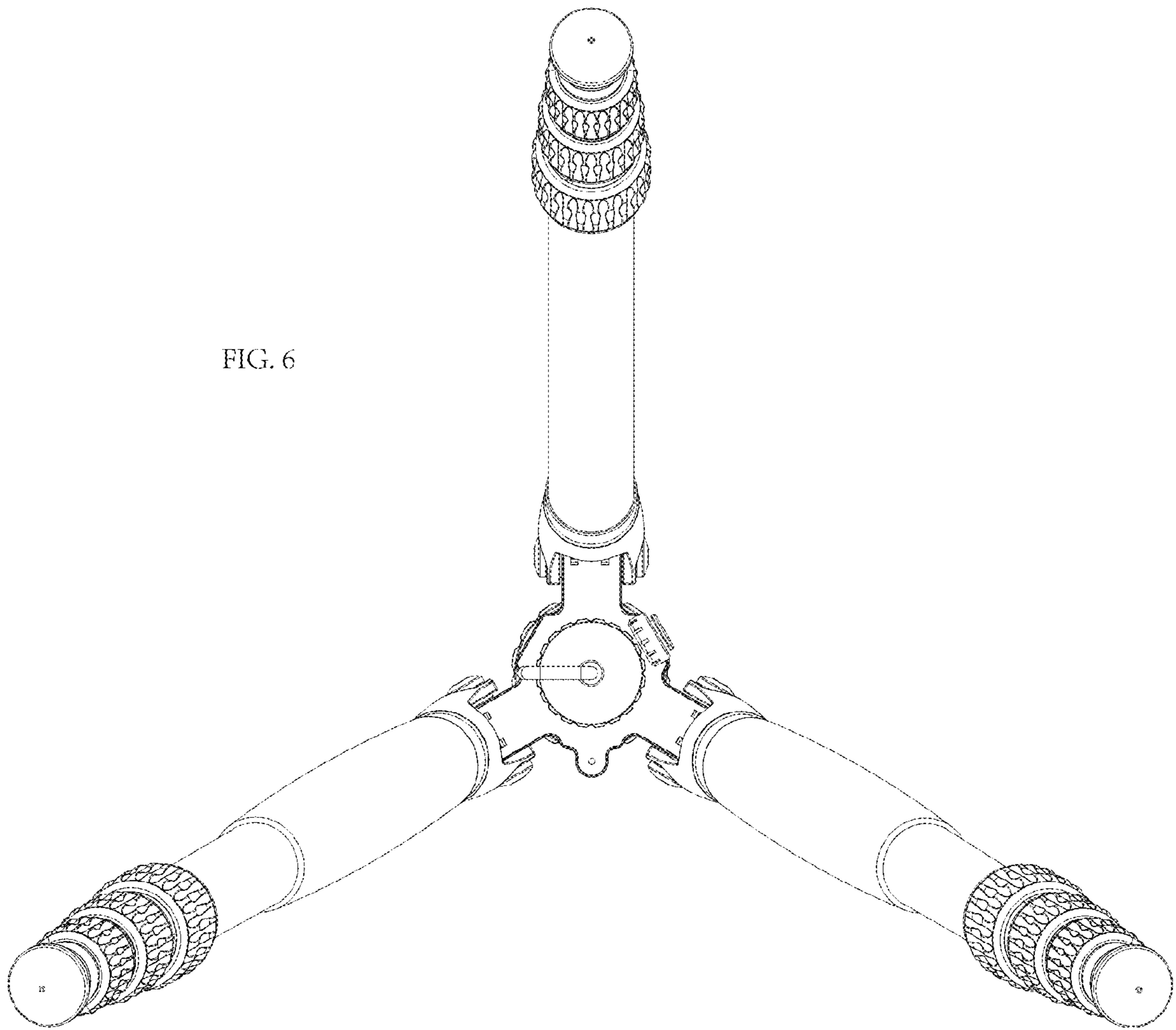


FIG. 7

