



US00D930733S

(12) **United States Design Patent**
Le Roux

(10) **Patent No.:** **US D930,733 S**

(45) **Date of Patent:** **** Sep. 14, 2021**

(54) **CAMERA MOUNT**

(71) Applicant: **DESTINATION MOON (PTY) LTD,**
Cape Town (ZA)

(72) Inventor: **Herman Johan Le Roux,** Cape Town
(ZA)

(73) Assignee: **DESTINATION MOON (PTY) LTD,**
Cape Town (ZA)

(**) Term: **15 Years**

(21) Appl. No.: **29/685,302**

(22) Filed: **Mar. 27, 2019**

(51) **LOC (13) Cl.** **16-05**

(52) **U.S. Cl.**
USPC **D16/242**

(58) **Field of Classification Search**
USPC D16/219, 237–250; D6/513; D8/303,
D8/307, 354, 355, 356, 363, 373,
D8/382–383, 394–396; D14/224, 229,
D14/238, 251, 253, 447, 451, 457
CPC A45F 5/00; A45F 5/10; F16M 11/06–10;
F16M 11/14; G02B 7/00–002; G03B
17/56; G03B 17/561–566; H04N
5/2253–2254

See application file for complete search history.

(56) **References Cited**

U.S. PATENT DOCUMENTS

D245,988 S *	10/1977	Miller	D16/245
4,959,671 A *	9/1990	Ishikawa	F16M 11/10 248/183.2
D323,339 S *	1/1992	Ishikawa	D16/245
D357,922 S *	5/1995	Nysether	D14/238
D525,642 S *	7/2006	Yamaguchi	D16/245
D630,240 S *	1/2011	Torbitt	D16/245
D653,692 S *	2/2012	Dordick	D16/242
D712,955 S *	9/2014	Hrbacek	D16/237

D767,664 S *	9/2016	Polito	D16/242
D781,950 S *	3/2017	Weisz	D16/235
D845,963 S *	4/2019	Lindo	D14/452
D873,812 S *	1/2020	Peters	D14/253

OTHER PUBLICATIONS

SP-Gadgets Swivel Arm mount for GoPro HERO Cameras, [online] Retrieved May 7, 2021 from URL: https://www.adorama.com/spg53060.html?utm_source=google&utm_medium=organic&utm_campaign=organicshopping&utm_source=adl-gbase-o.*
2 Pack 360 Degree Swivel Mount Adapter Pivot Arm for GoPro Hero Camera Black, [online] Retrieved May 7, 2021 from URL: https://www.ebay.com/itm/223024077759?chn=ps&mkevt=1&mkcid=28.*

* cited by examiner

Primary Examiner — Vy N Koenig

(74) *Attorney, Agent, or Firm* — Workman Nydegger

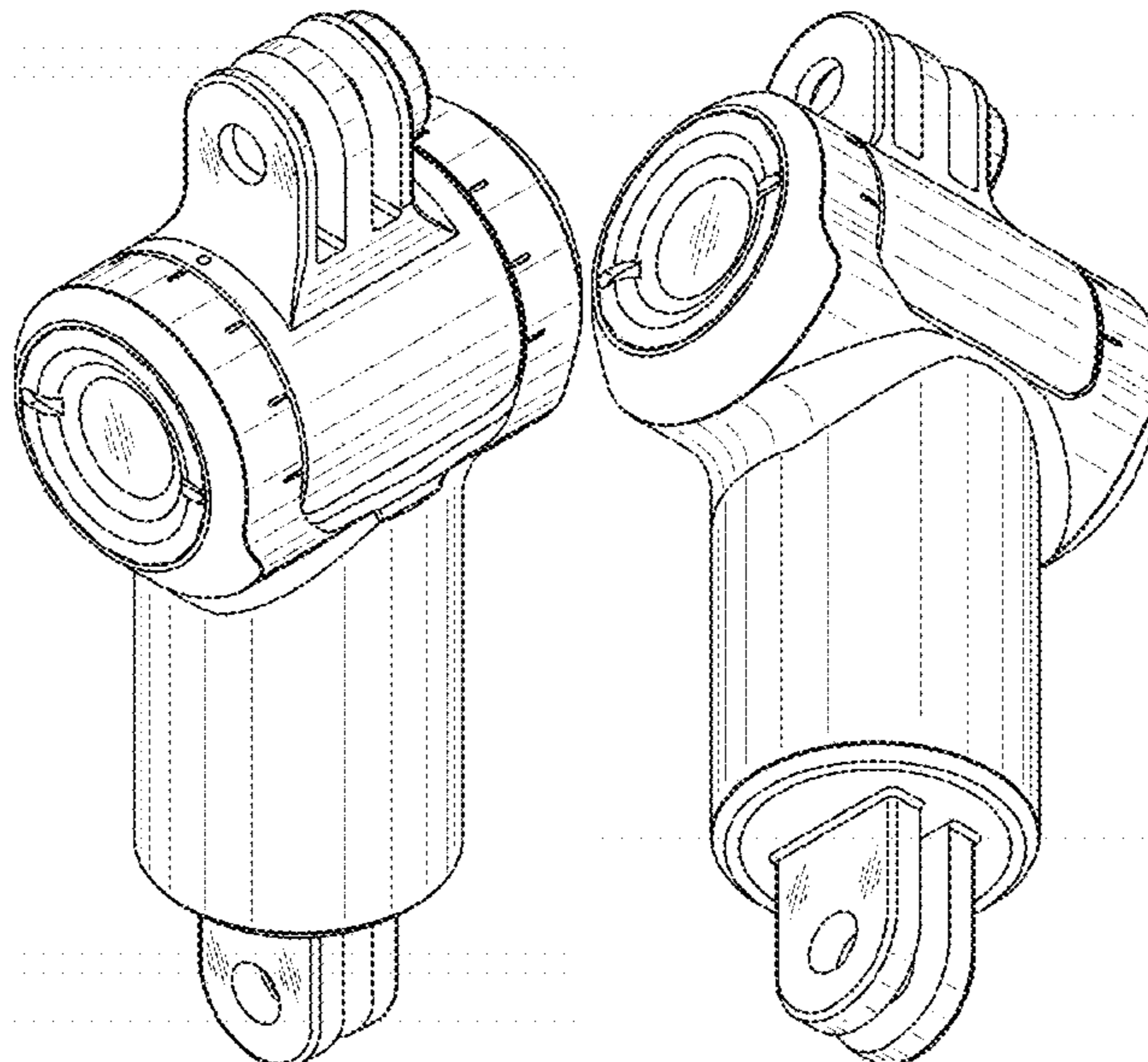
(57) **CLAIM**

The ornamental design for a camera mount, as shown and described.

DESCRIPTION

FIG. 1 is a top, right, rear perspective view of a camera mount in accordance with my invention;
FIG. 2 is a bottom, right, rear perspective view thereof;
FIG. 3 is a top, left, rear perspective view thereof;
FIG. 4 is a bottom, left, rear perspective view thereof;
FIG. 5 is a left side elevation view thereof;
FIG. 6 is a right side elevation view thereof;
FIG. 7 is a top plan view thereof;
FIG. 8 is a bottom plan view thereof;
FIG. 9 is a front elevation view thereof; and,
FIG. 10 is a rear elevation view thereof.

1 Claim, 8 Drawing Sheets



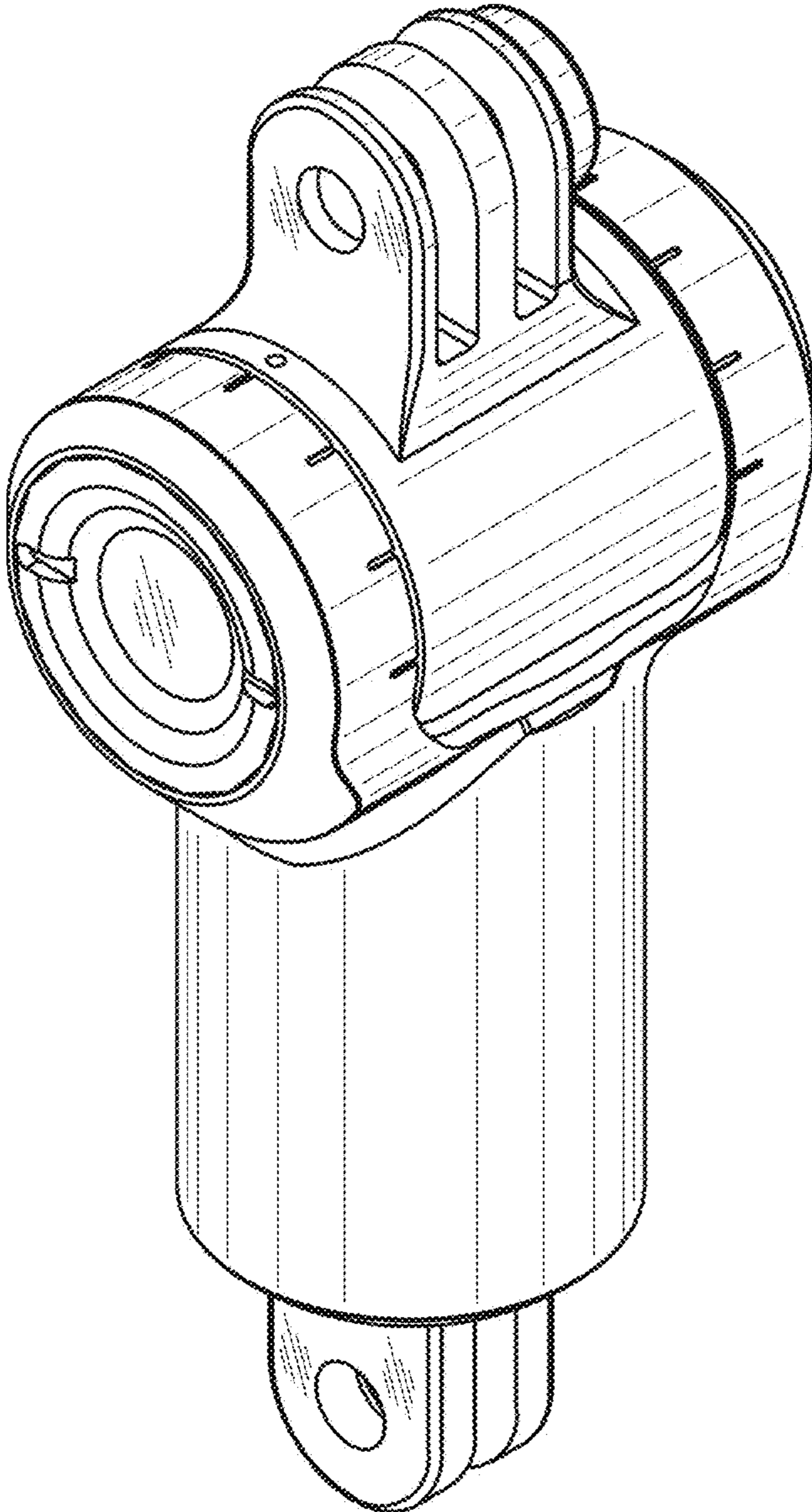


FIG. 1

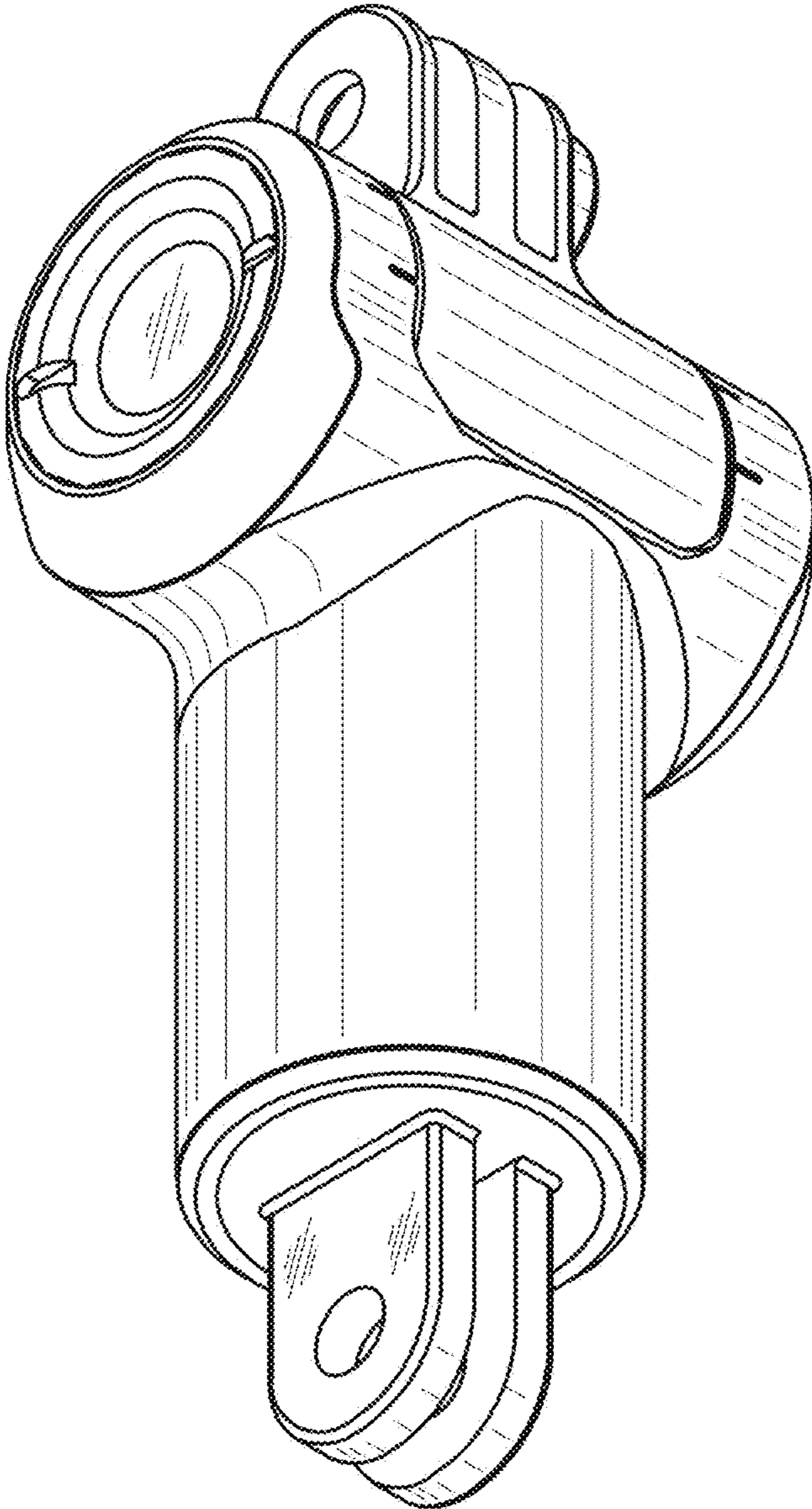


FIG. 2

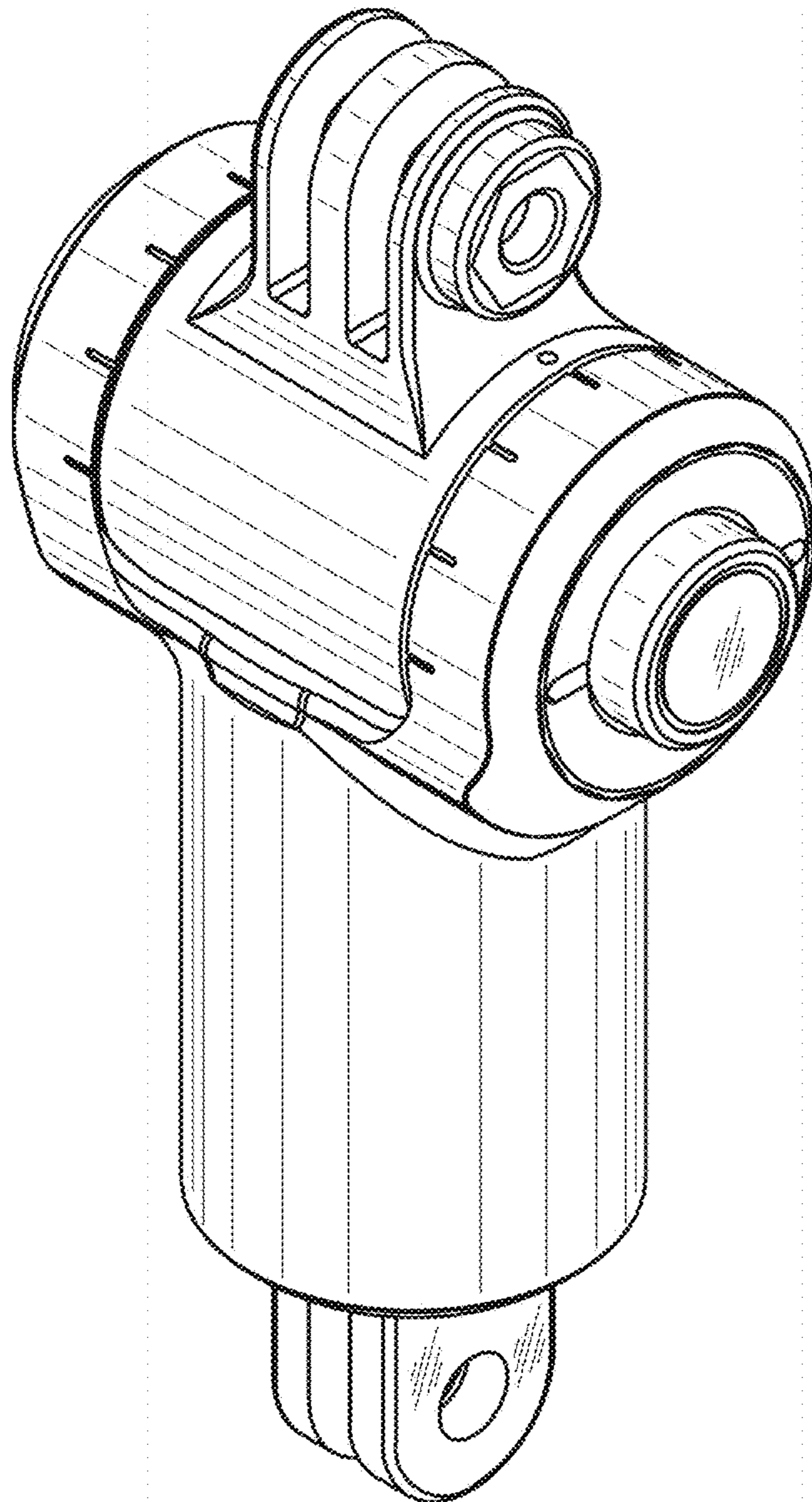


FIG. 3

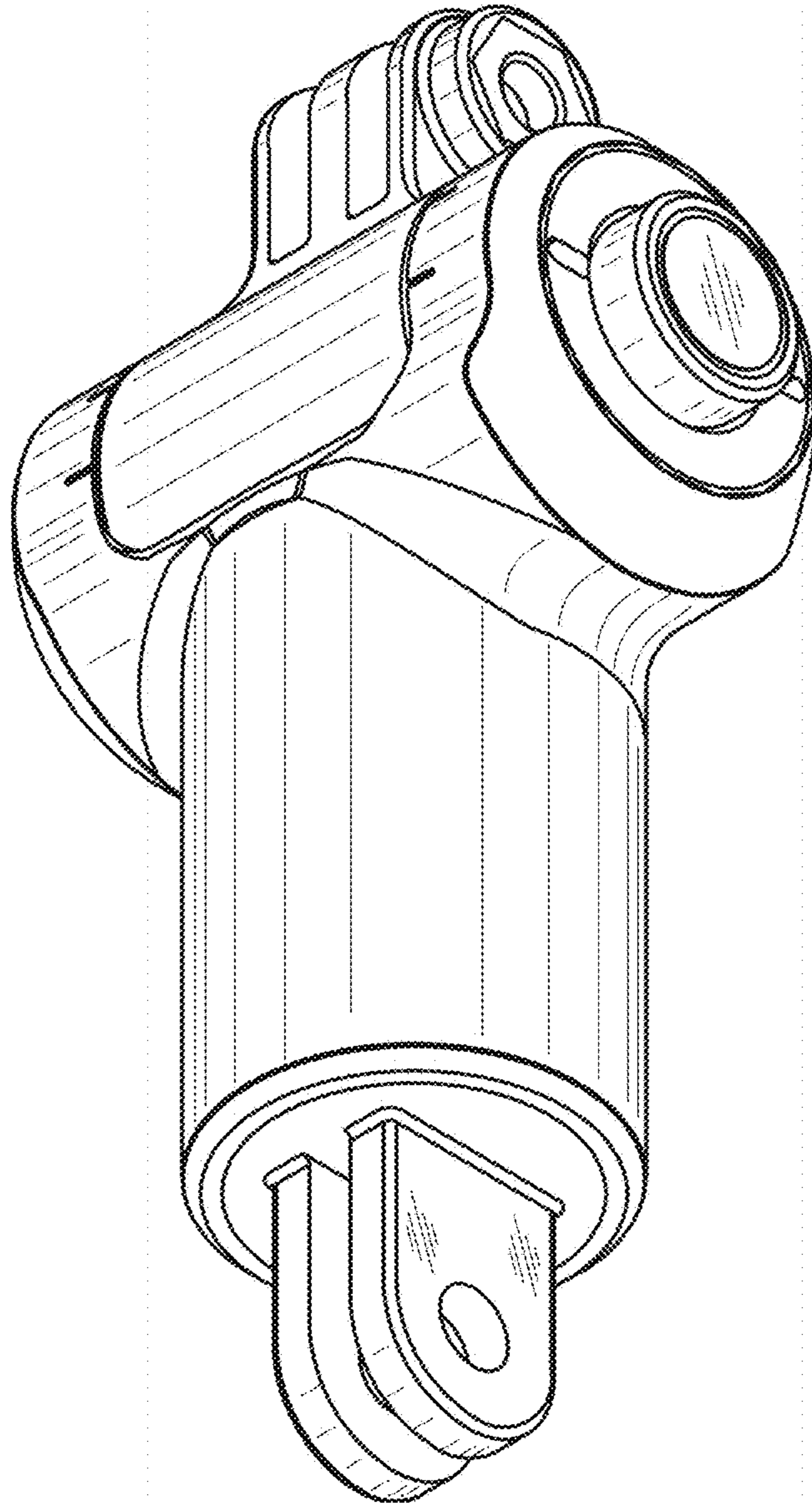


FIG. 4

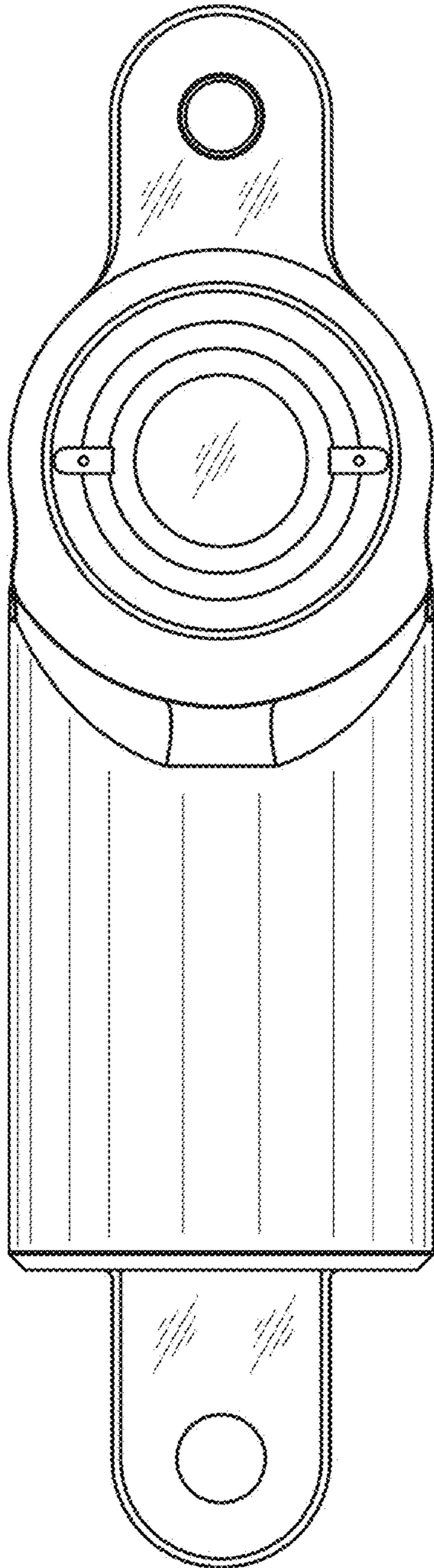


FIG. 5

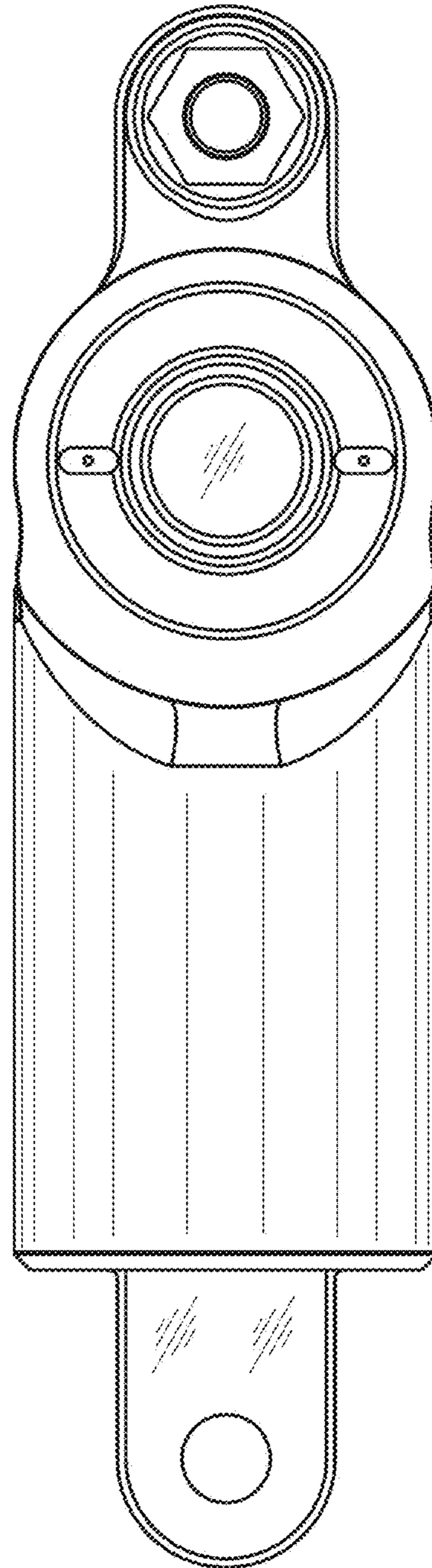


FIG. 6

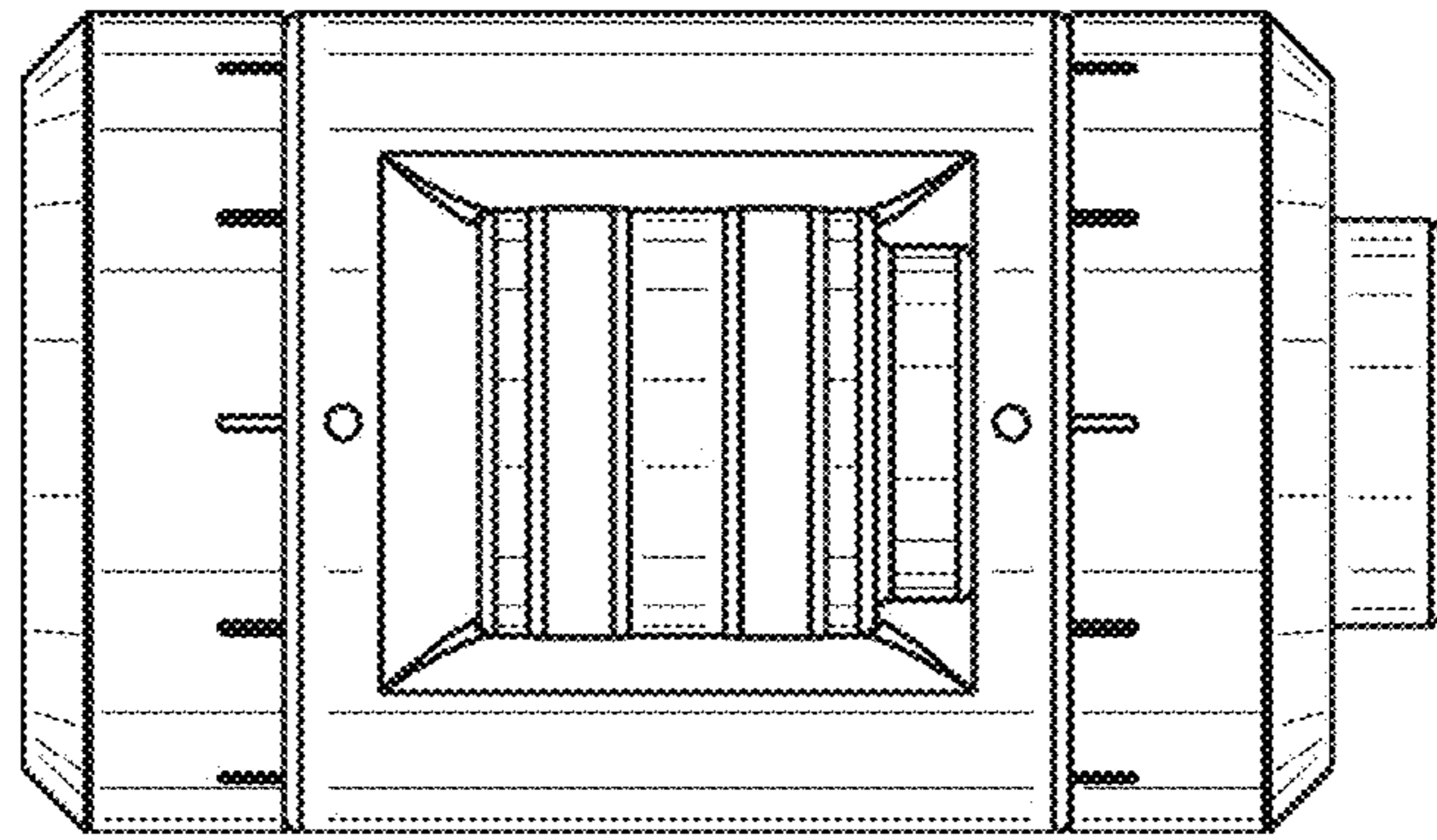


FIG. 7

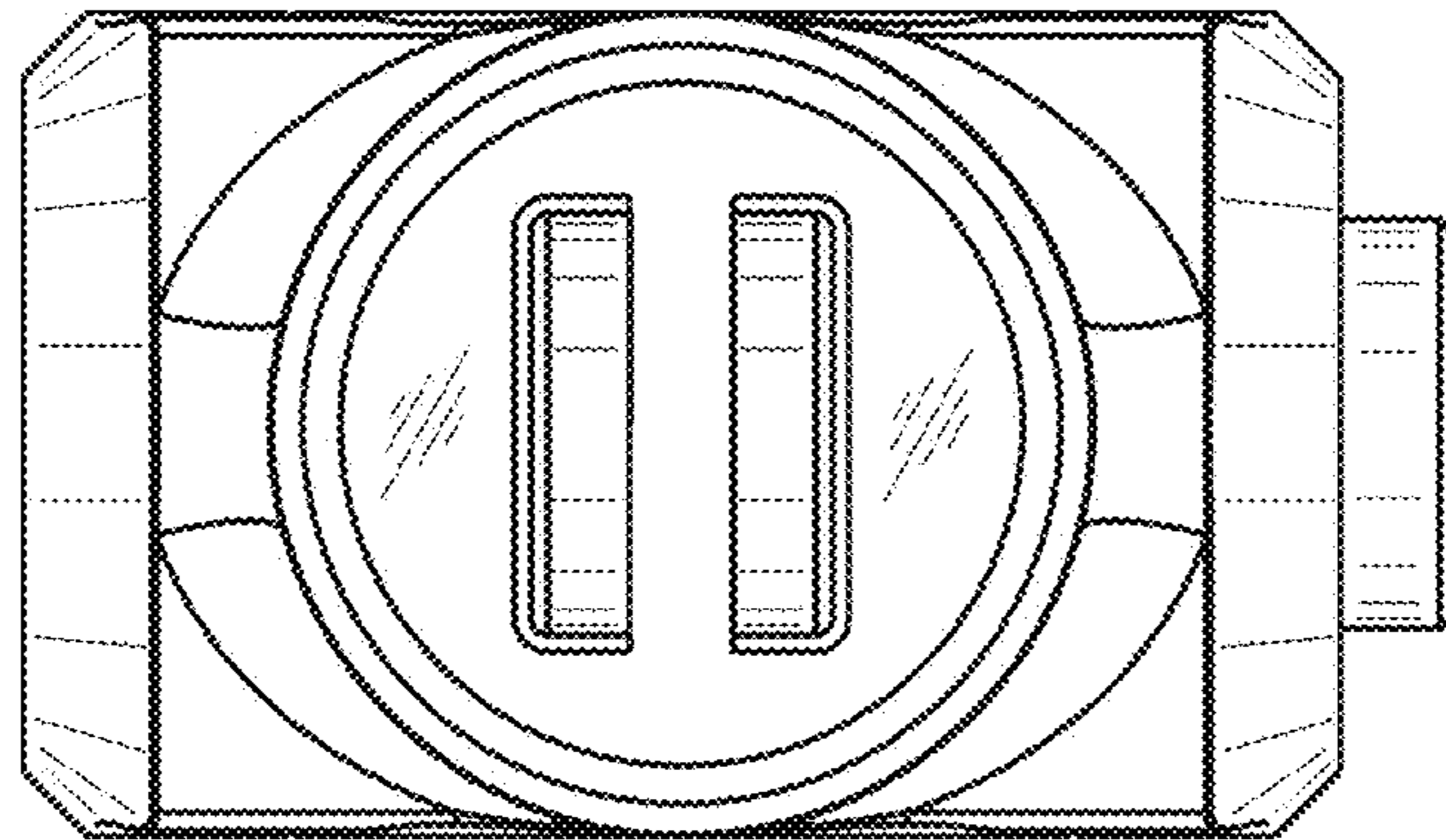


FIG. 8

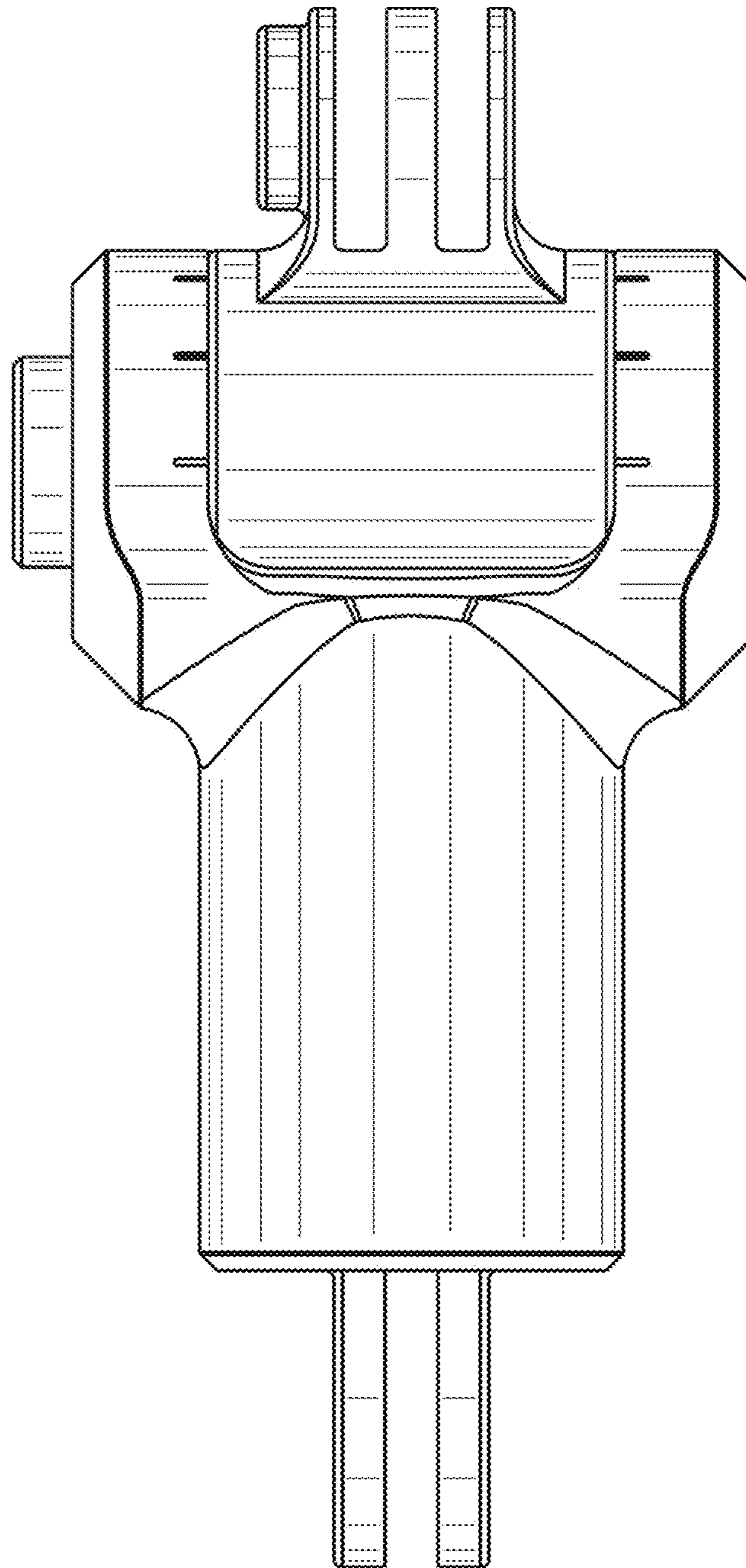


FIG. 9

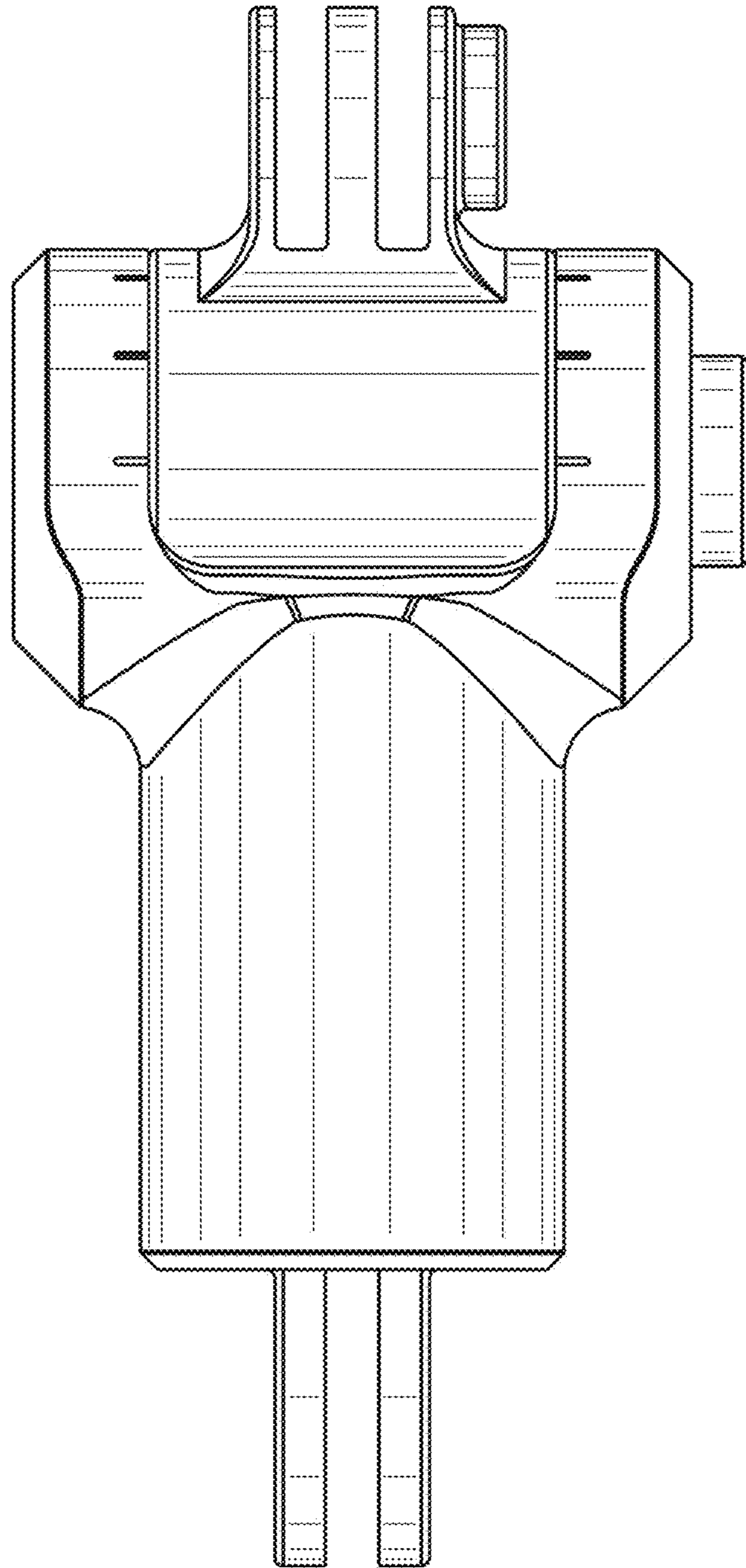


FIG. 10