



US00D930732S

(12) **United States Design Patent**
Uetsuji

(10) **Patent No.:** **US D930,732 S**

(45) **Date of Patent:** **** Sep. 14, 2021**

(54) **LENS FOR IMAGE INSPECTION CAMERA**

(71) Applicant: **OMRON Corporation**, Kyoto (JP)

(72) Inventor: **Yasuhito Uetsuji**, Fukuchiyama (JP)

(73) Assignee: **OMRON Corporation**, Kyoto (JP)

(**) Term: **15 Years**

(21) Appl. No.: **29/708,575**

(22) Filed: **Oct. 8, 2019**

(30) **Foreign Application Priority Data**

May 29, 2019 (JP) 2019-011723

(51) **LOC (13) Cl.** **16-05**

(52) **U.S. Cl.**
USPC **D16/219**; D16/134

(58) **Field of Classification Search**
USPC D16/130, 134–136, 200, 202–208, 218,
D16/219; D26/120, 113, 118, 119, 121,
D26/122, 124, 125, 128; 348/143, 148,
348/151, 373–376; 396/419, 427, 535,
396/539–541

CPC G03B 17/02; G03B 19/04; G03B 17/56;
G03B 17/04; G03B 15/03; H04N 5/2251;
H04N 5/2252; H04N 5/2253; H04N
5/2254; H04N 7/181; H04N 7/183; H04N
7/18; G08B 13/1963; G08B 13/19619;
G08B 13/19632

See application file for complete search history.

(56) **References Cited**

U.S. PATENT DOCUMENTS

D686,265 S * 7/2013 O'Neill D16/134
D697,958 S * 1/2014 O'Neill D16/134

D727,385 S * 4/2015 O'Neill D16/134
D730,967 S * 6/2015 O'Neill D16/219
D730,968 S * 6/2015 O'Neill D16/219
D730,969 S * 6/2015 O'Neill D16/219
D740,878 S * 10/2015 O'Neill D16/237
D792,497 S * 7/2017 Oliveira D16/208
D816,148 S * 4/2018 Li D16/219
D859,492 S * 9/2019 Okitsu D16/134
10,437,137 B2 * 10/2019 O'Neill G03B 17/566
D881,979 S * 4/2020 Patrick D16/237
D918,284 S * 5/2021 Barros G03B 17/566
D16/219

* cited by examiner

Primary Examiner — Ramzi Almatrahi

(74) *Attorney, Agent, or Firm* — Capitol City TechLaw

(57) **CLAIM**

The ornamental design for a lens for image inspection camera, as shown and described.

DESCRIPTION

FIG. 1 is a front, top, and right side perspective view of a lens for image inspection camera showing my new design; FIG. 2 is a front, top, and left side perspective view thereof; FIG. 3 is a front, bottom, and left side perspective view thereof;

FIG. 4 is a front view thereof;

FIG. 5 is a rear view thereof;

FIG. 6 is a left side view thereof;

FIG. 7 is a right side view thereof;

FIG. 8 is a top view thereof; and,

FIG. 9 is a bottom view thereof.

The broken lines depict portions of the lens for image inspection camera in which the design is embodied that form no part of the claimed design. Additionally, the dash-dot lines denote the boundary of the claim and form no part of the claimed design.

1 Claim, 9 Drawing Sheets

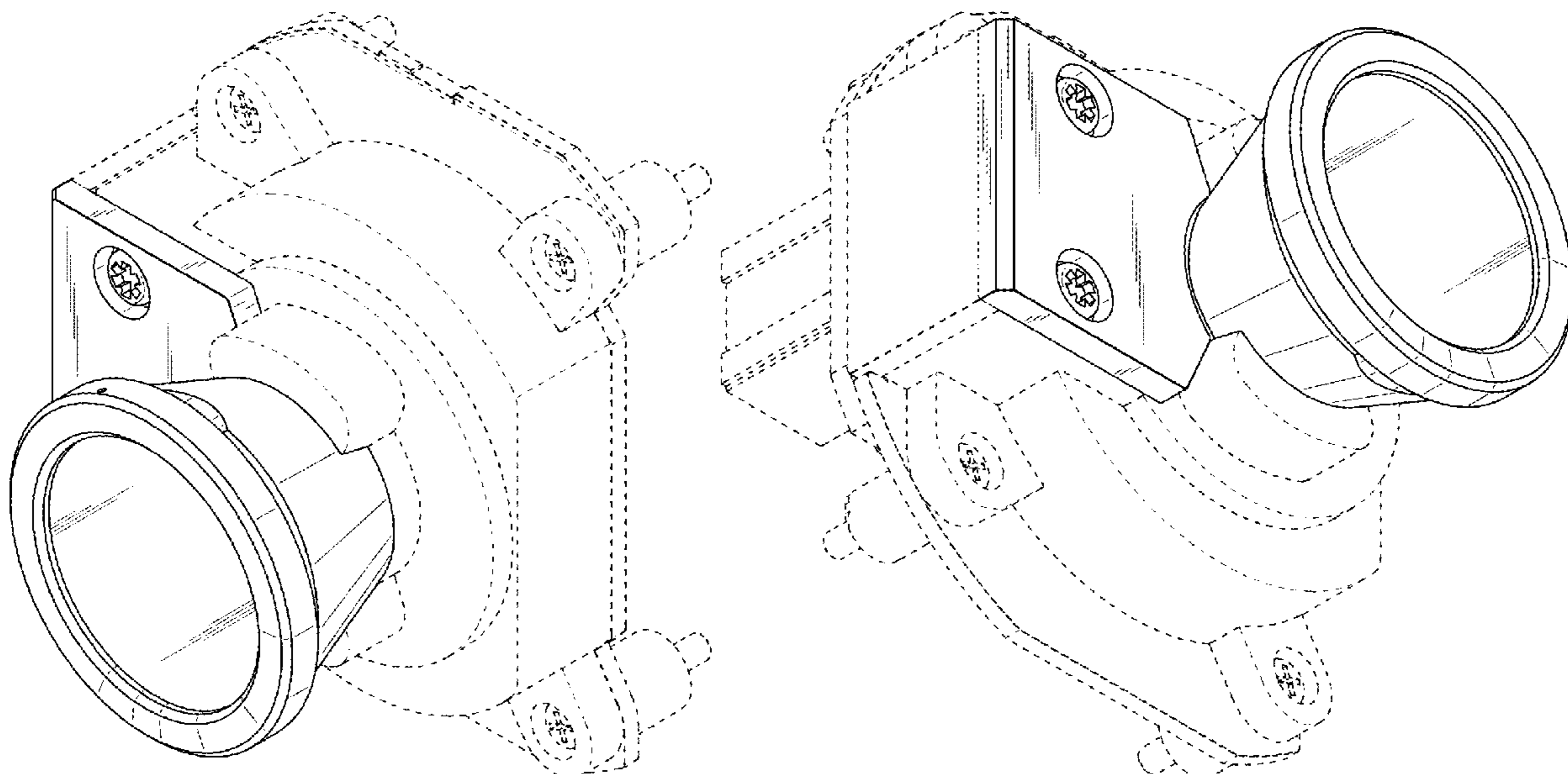


Fig. 1

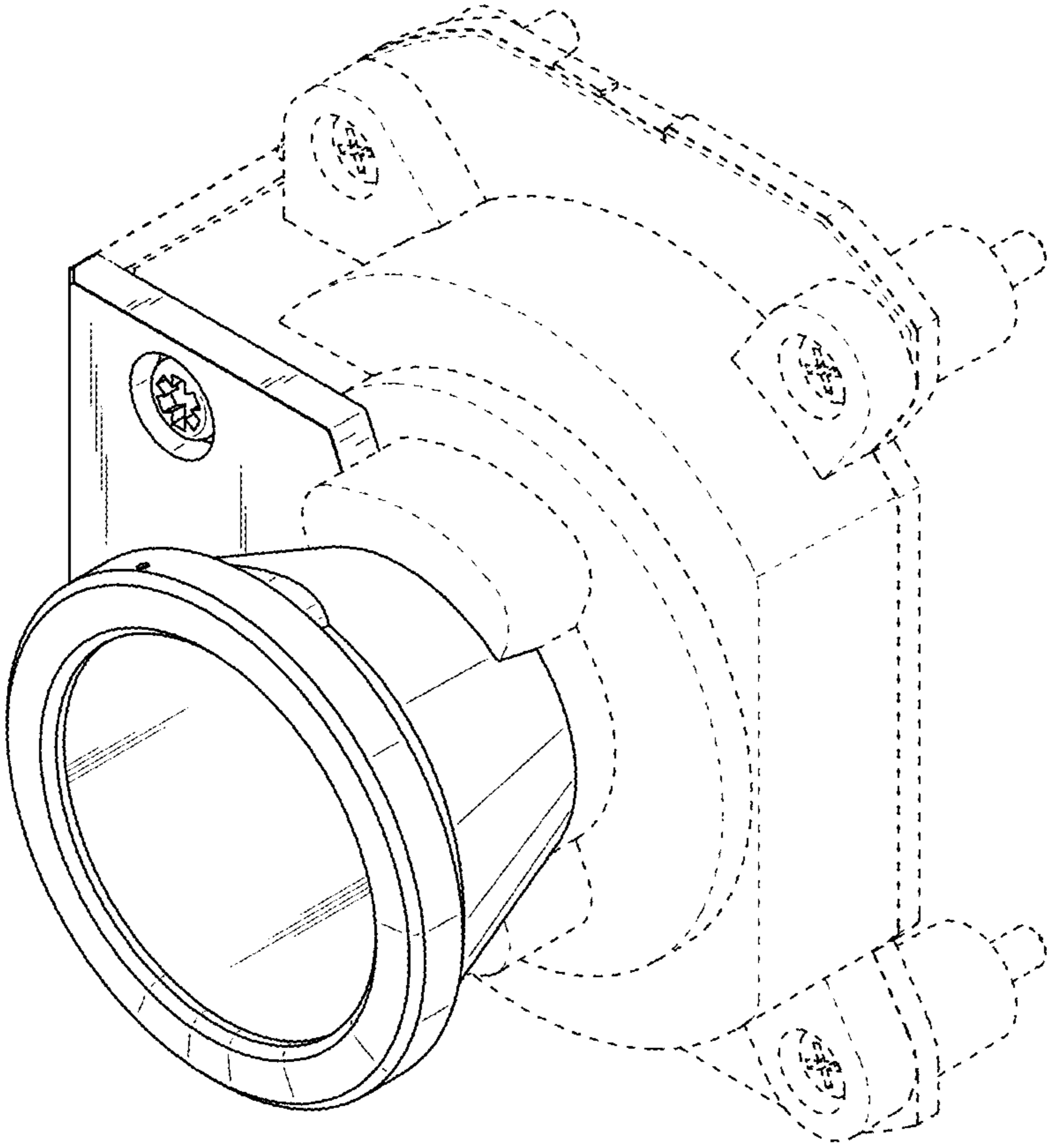


Fig. 2

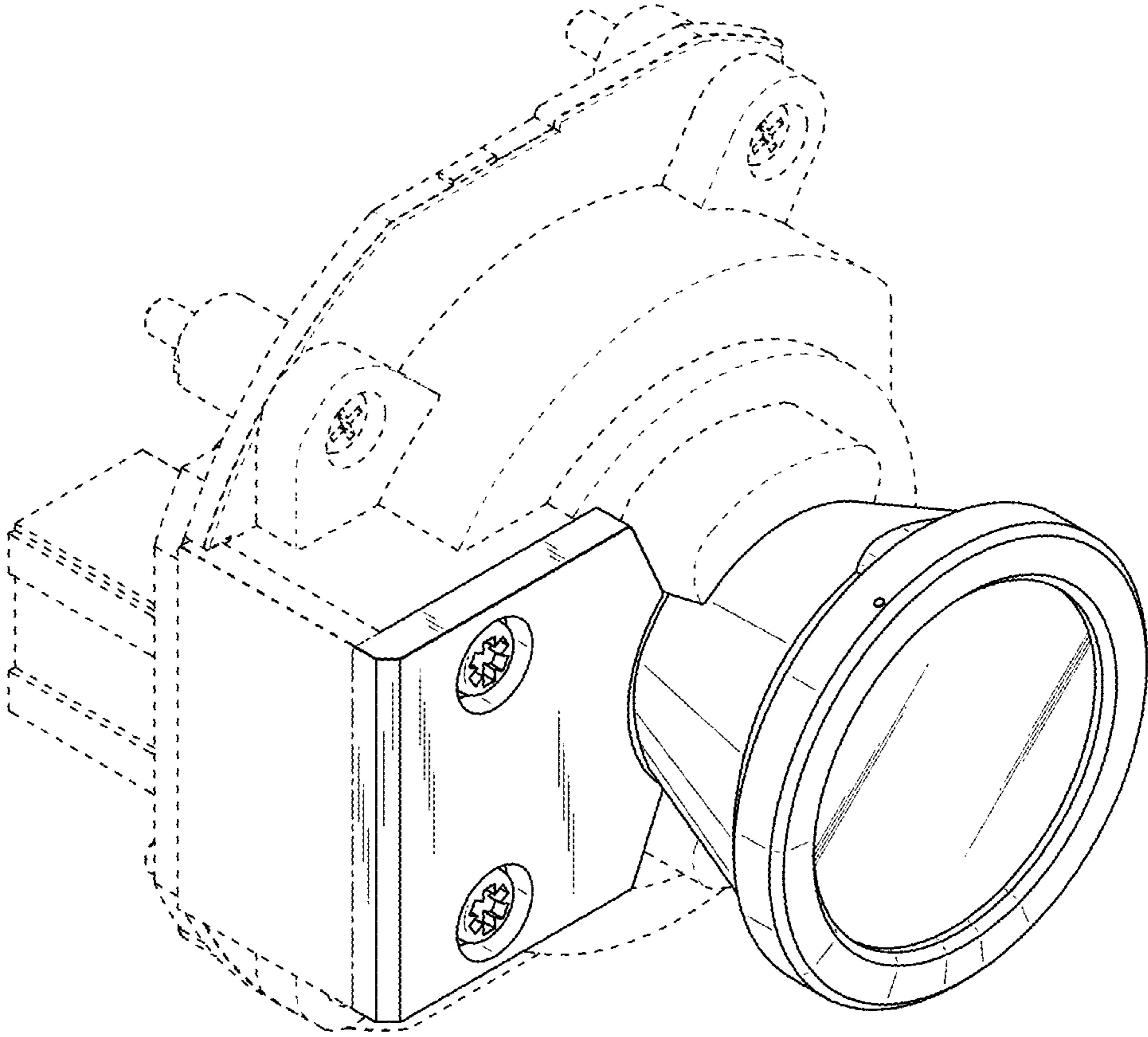


Fig. 3

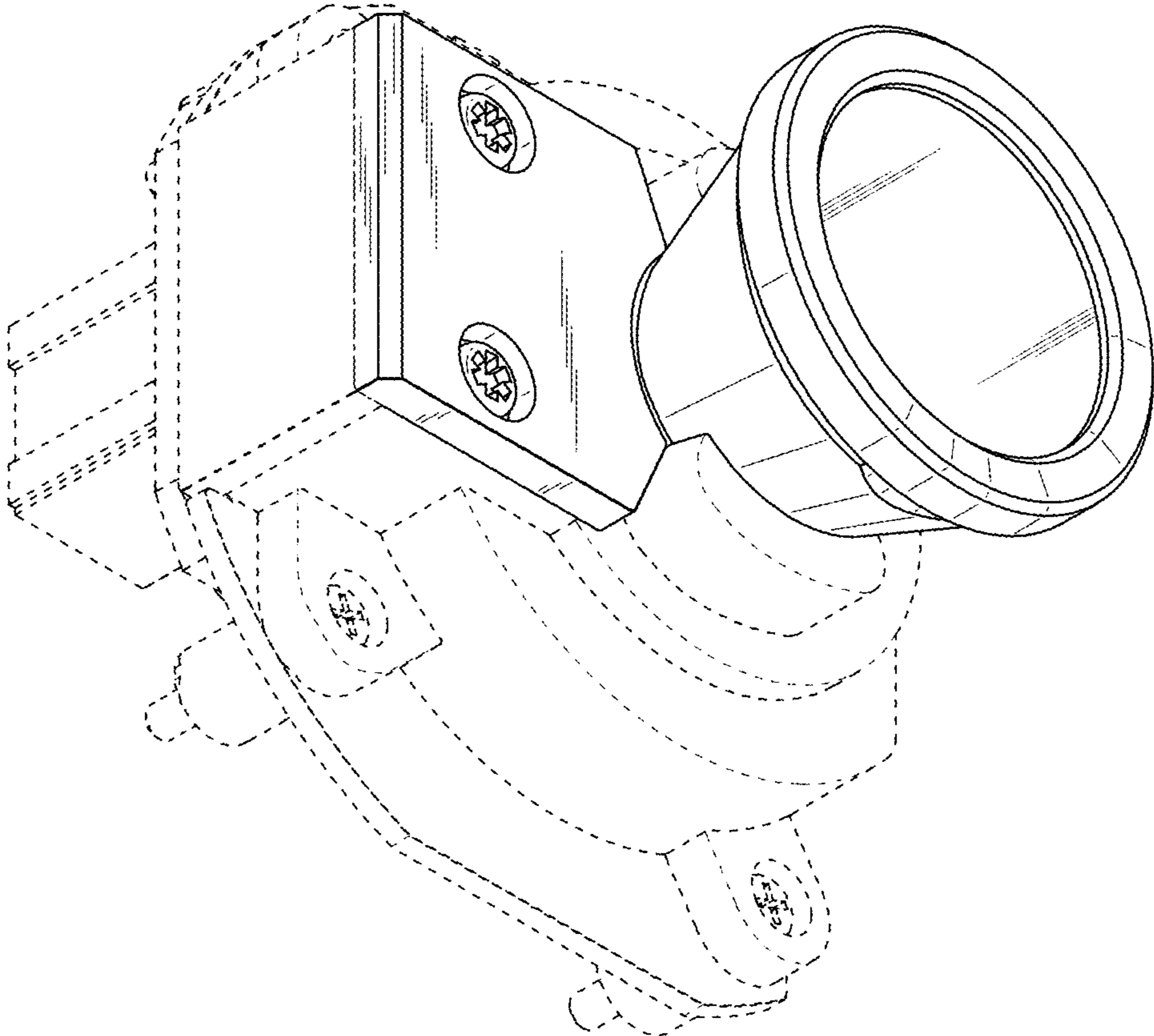


Fig. 4

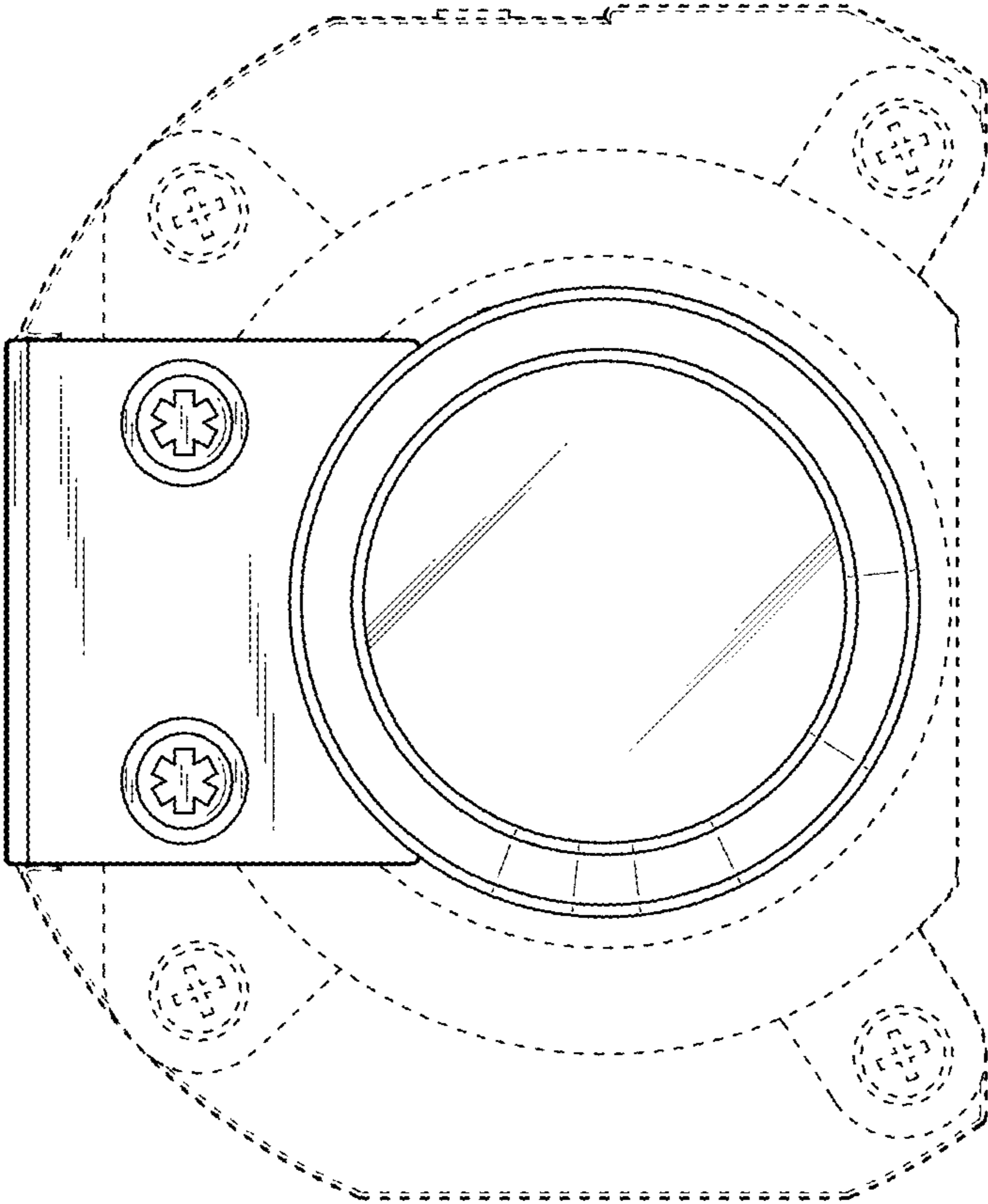


Fig. 5

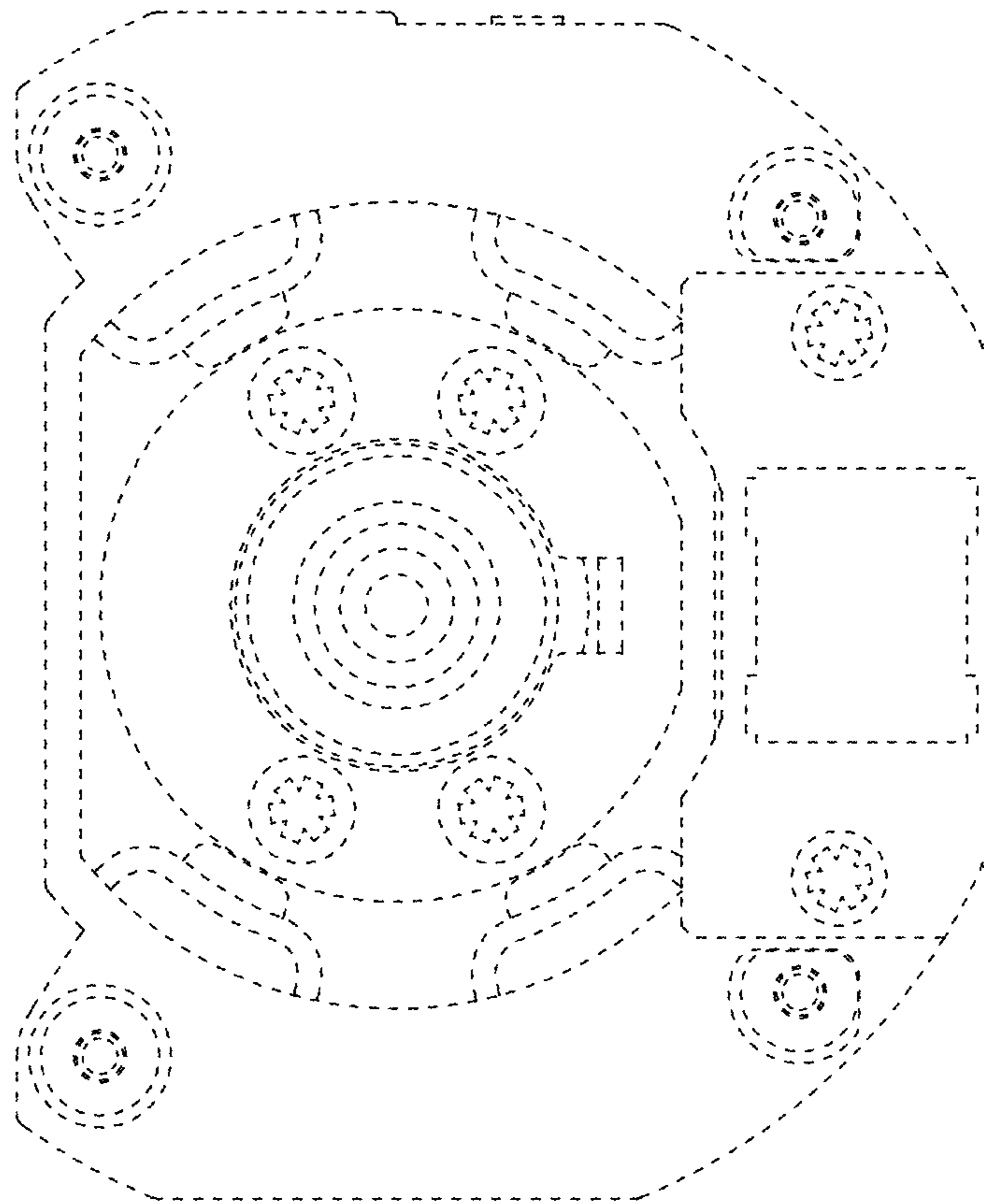


Fig. 6

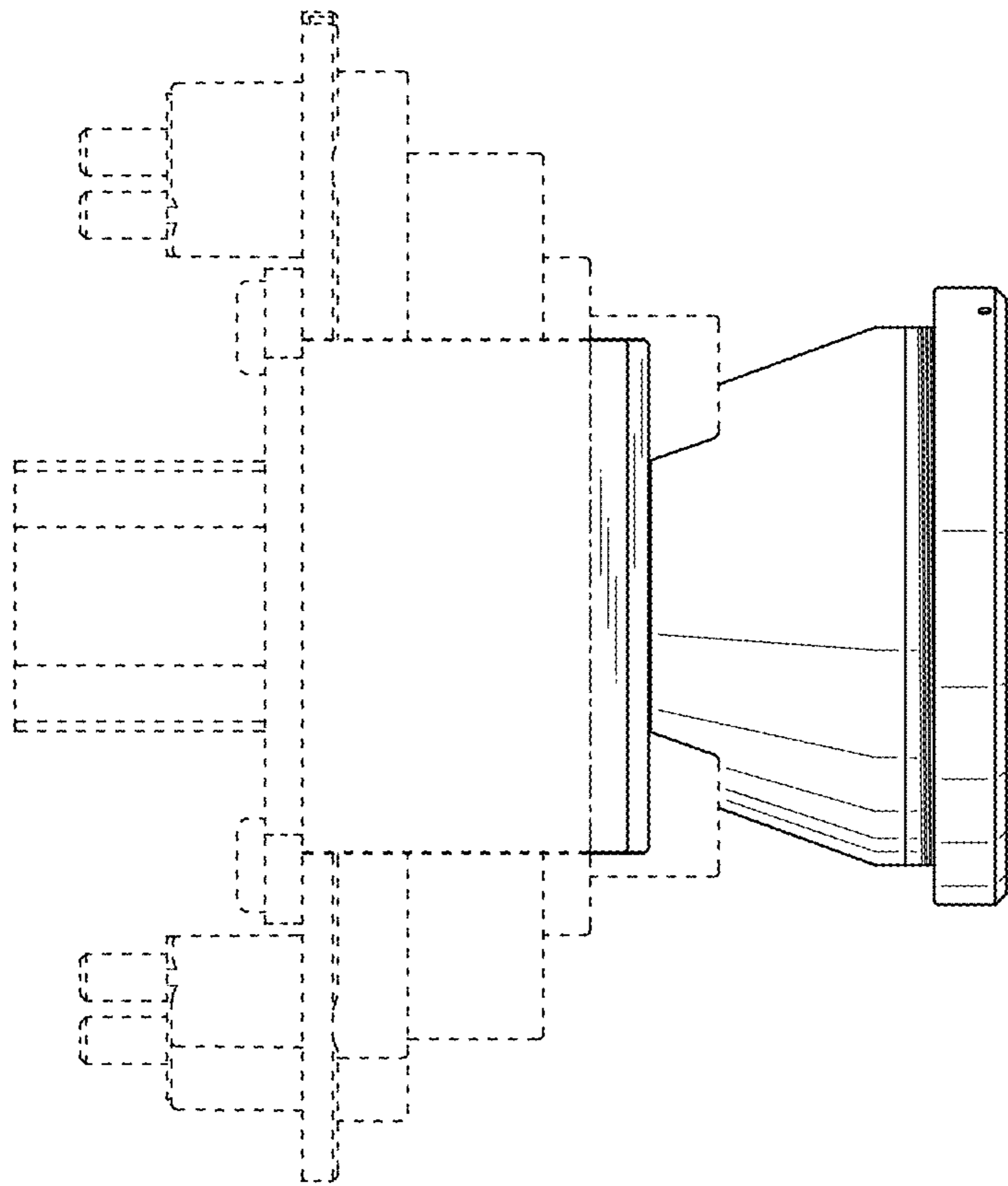


Fig. 7

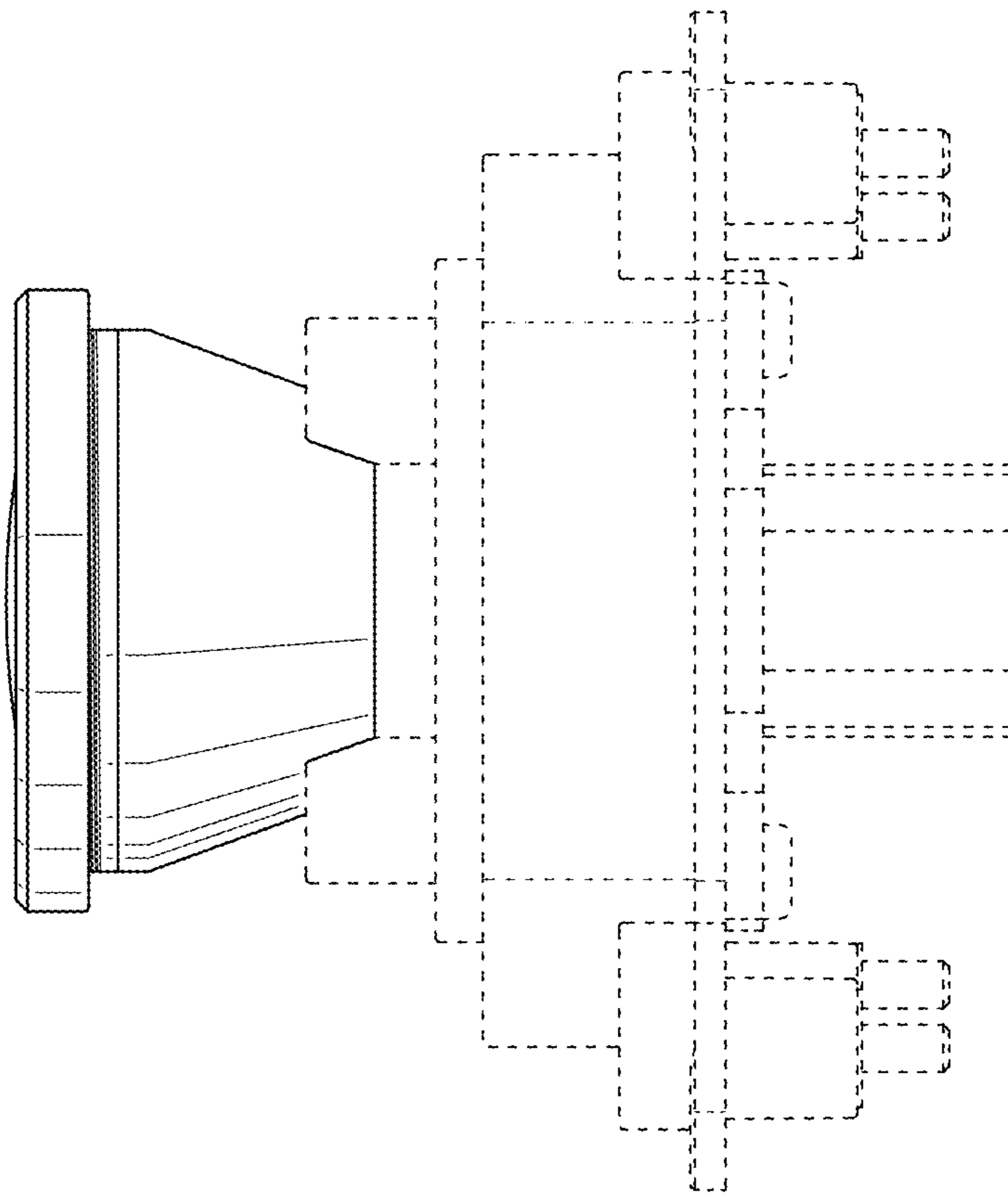


Fig. 8

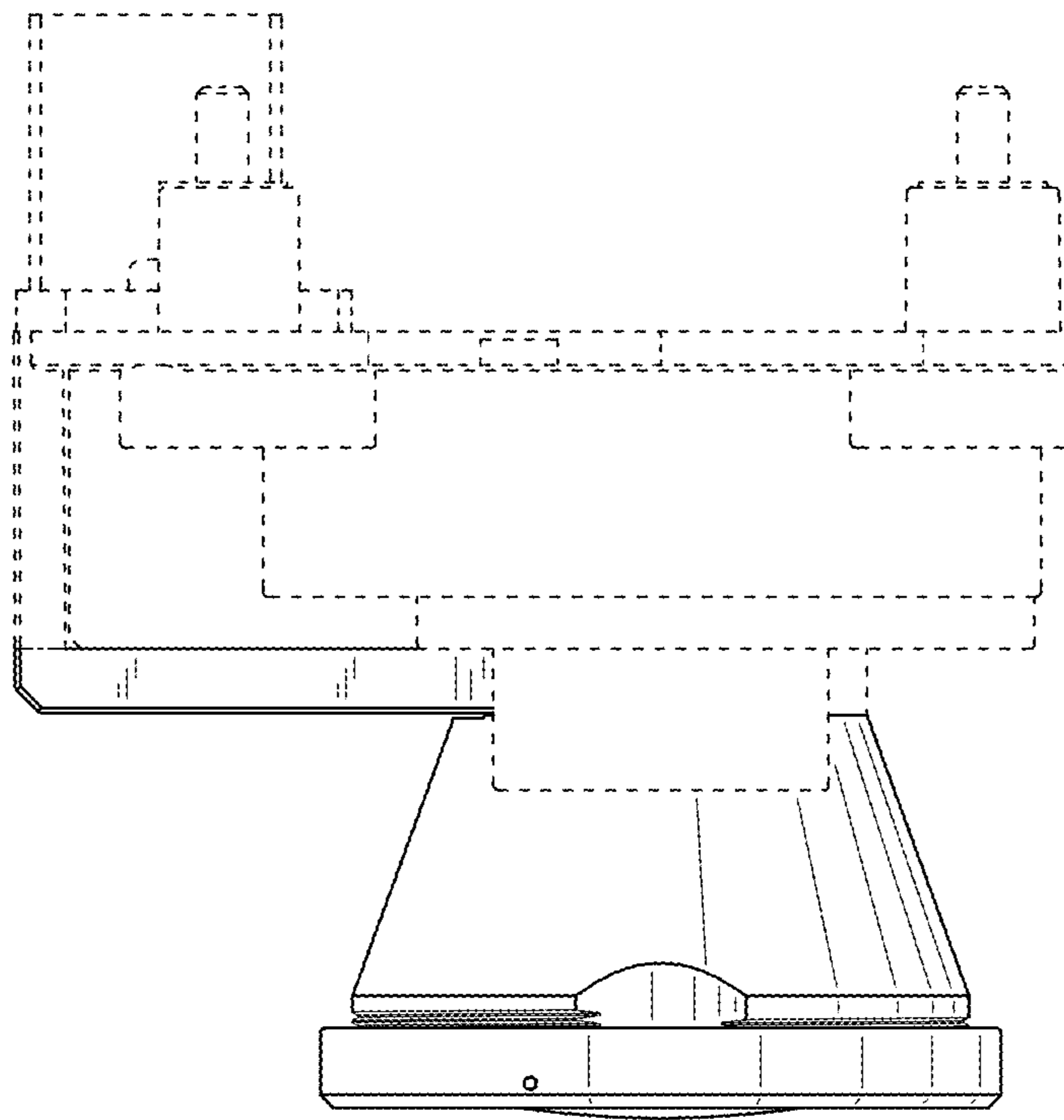


Fig. 9

