



US00D930731S

(12) **United States Design Patent**
Uetsuji

(10) **Patent No.:** **US D930,731 S**

(45) **Date of Patent:** **** Sep. 14, 2021**

(54) **LENS FOR IMAGE INSPECTION CAMERA**

(71) Applicant: **OMRON Corporation**, Kyoto (JP)

(72) Inventor: **Yasuhito Uetsuji**, Fukuchiyama (JP)

(73) Assignee: **OMRON Corporation**, Kyoto (JP)

(**) Term: **15 Years**

(21) Appl. No.: **29/708,564**

(22) Filed: **Oct. 8, 2019**

(30) **Foreign Application Priority Data**

May 29, 2019 (JP) 2019-011722

(51) **LOC (13) Cl.** **16-05**

(52) **U.S. Cl.**
USPC **D16/219**; D16/134

(58) **Field of Classification Search**
USPC D16/130, 134–136, 200, 202–208, 218,
D16/219; D26/120, 113, 118, 119, 121,
D26/122, 124, 125, 128; 348/143, 148,
348/151, 373–376; 396/419, 427, 535,
396/539–541

CPC G03B 17/02; G03B 19/04; G03B 17/56;
G03B 17/04; G03B 15/03; H04N 5/2251;
H04N 5/2252; H04N 5/2253; H04N
5/2254; H04N 7/181; H04N 7/183; H04N
7/18; G08B 13/1963; G08B 13/19619;
G08B 13/19632

See application file for complete search history.

(56) **References Cited**

U.S. PATENT DOCUMENTS

D686,265 S * 7/2013 O'Neill D16/134
D697,958 S * 1/2014 O'Neill D16/134

D727,385 S * 4/2015 O'Neill D16/134
D730,967 S * 6/2015 O'Neill D16/219
D730,968 S * 6/2015 O'Neill D16/219
D730,969 S * 6/2015 O'Neill D16/219
D740,878 S * 10/2015 O'Neill D16/237
D792,497 S * 7/2017 Oliveira D16/208
D816,148 S * 4/2018 Li D16/219
D859,492 S * 9/2019 Okitsu D16/134
10,437,137 B2 * 10/2019 O'Neill G03B 17/566
D881,979 S * 4/2020 Patrick D16/237
D918,284 S * 5/2021 Barros G03B 17/566
D16/219

* cited by examiner

Primary Examiner — Ramzi Almatrahi

(74) *Attorney, Agent, or Firm* — Capitol City TechLaw

(57) **CLAIM**

The ornamental design for a lens for image inspection camera, as shown and described.

DESCRIPTION

FIG. 1 is a front, top, and right side perspective view of a lens for image inspection camera showing my new design; FIG. 2 is a front, top, and left side perspective view thereof; FIG. 3 is a front, bottom, and left side perspective view thereof;

FIG. 4 is a front view thereof; FIG. 5 is a rear view thereof; FIG. 6 is a left side view thereof; FIG. 7 is a right side view thereof; FIG. 8 is a top view thereof; and, FIG. 9 is a bottom view thereof.

The broken lines depict portions of the lens for image inspection camera in which the design is embodied that form no part of the claimed design.

1 Claim, 9 Drawing Sheets

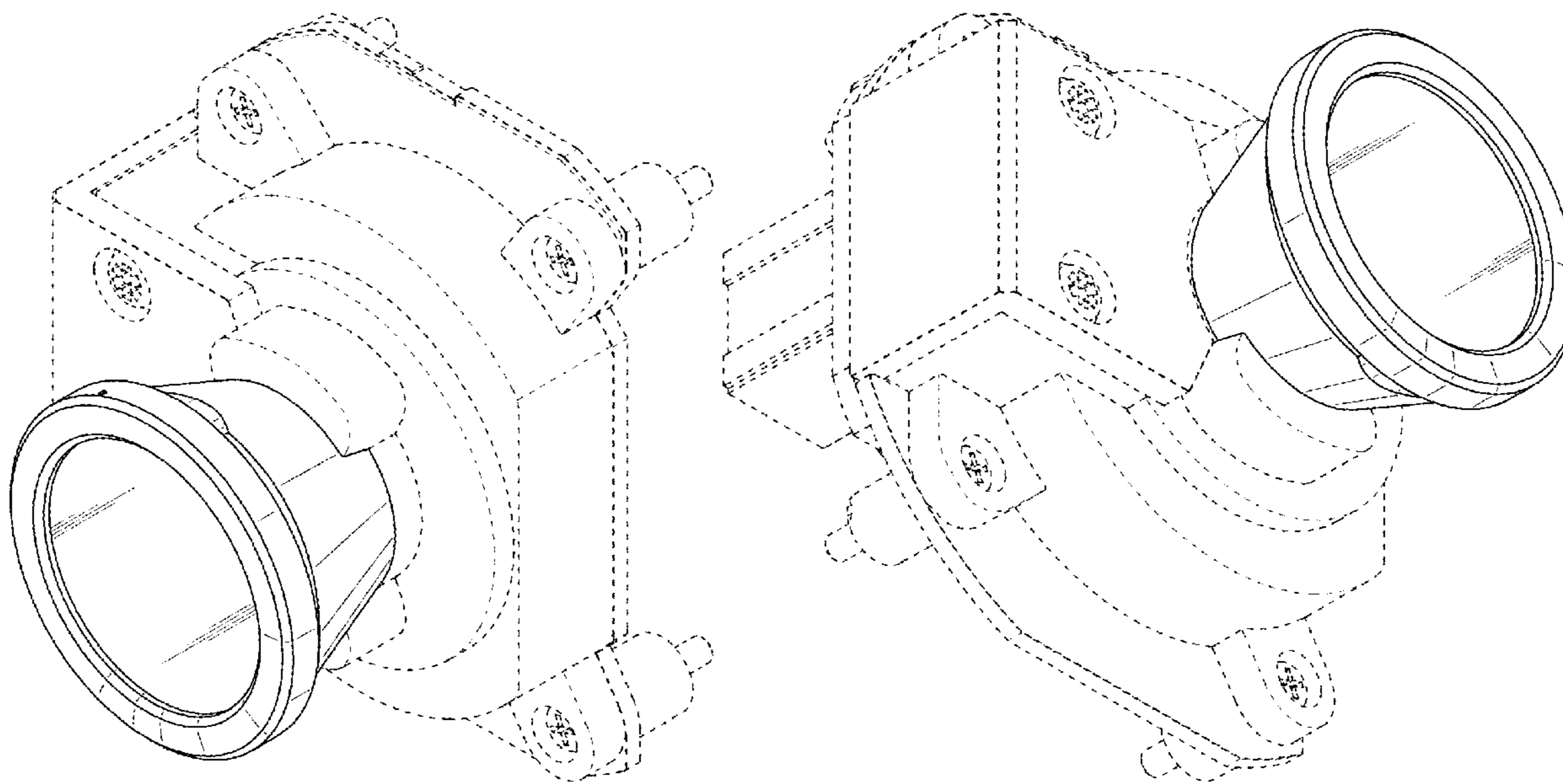


Fig. 1

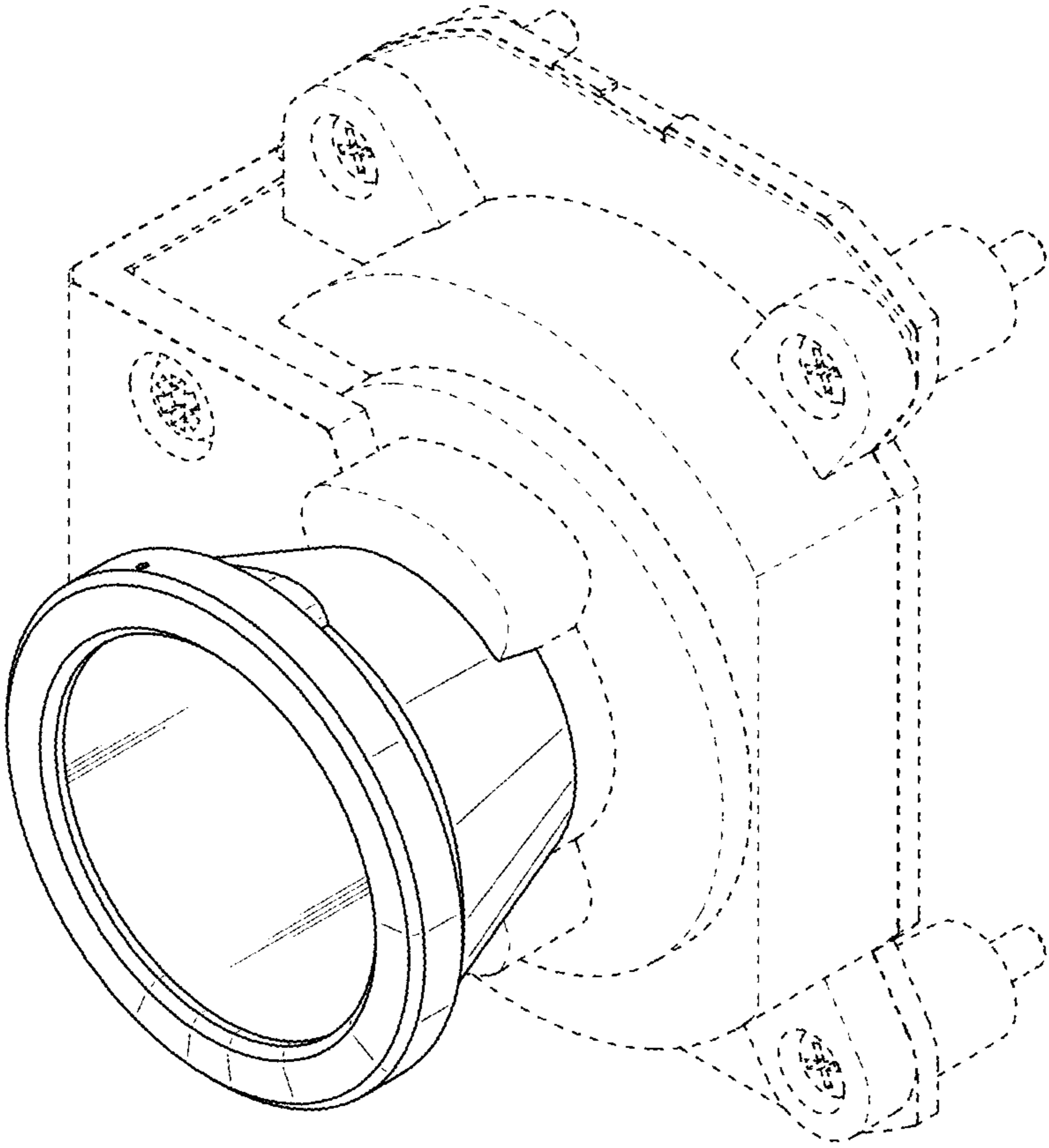


Fig. 2

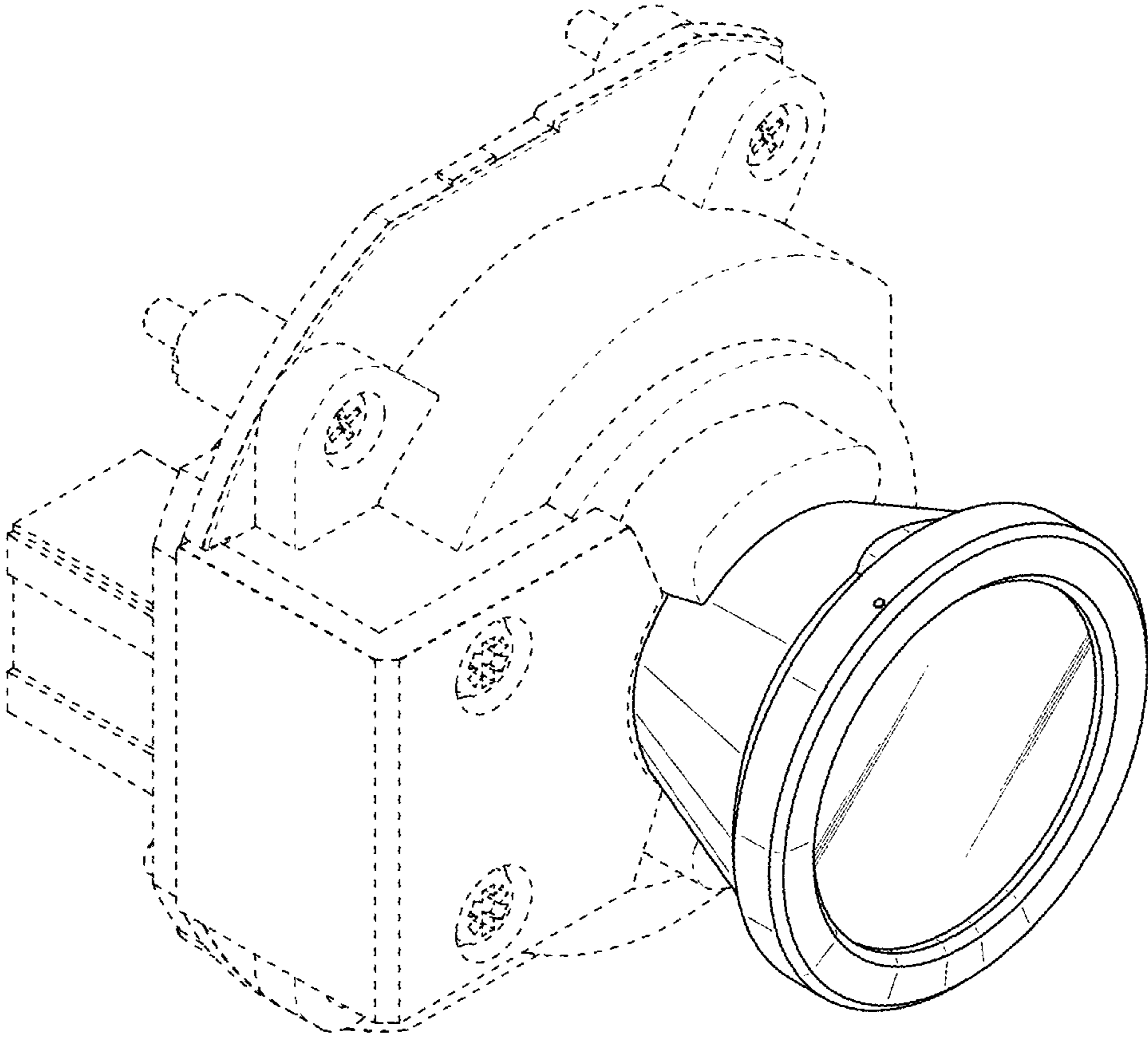


Fig. 3

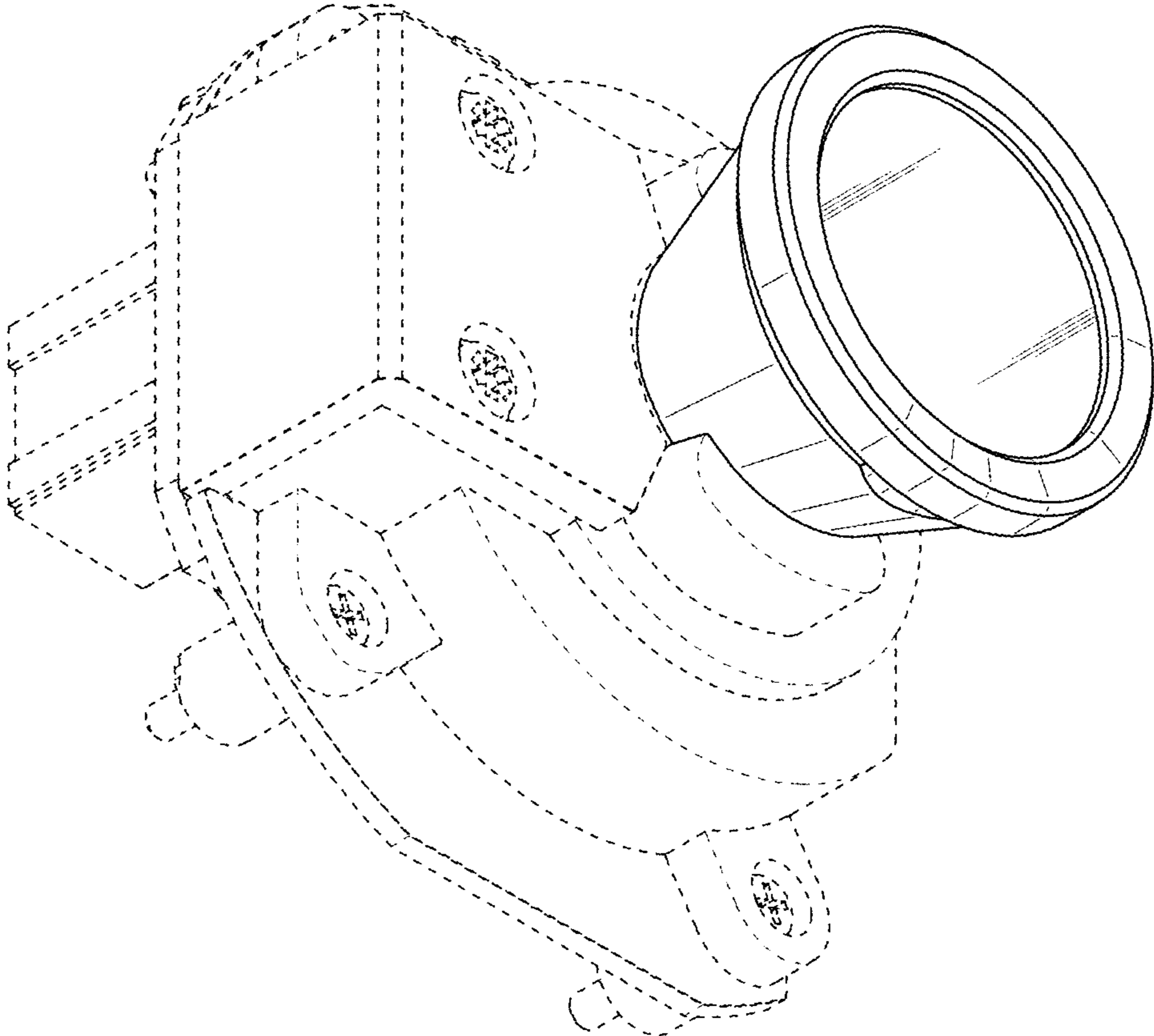


Fig. 4

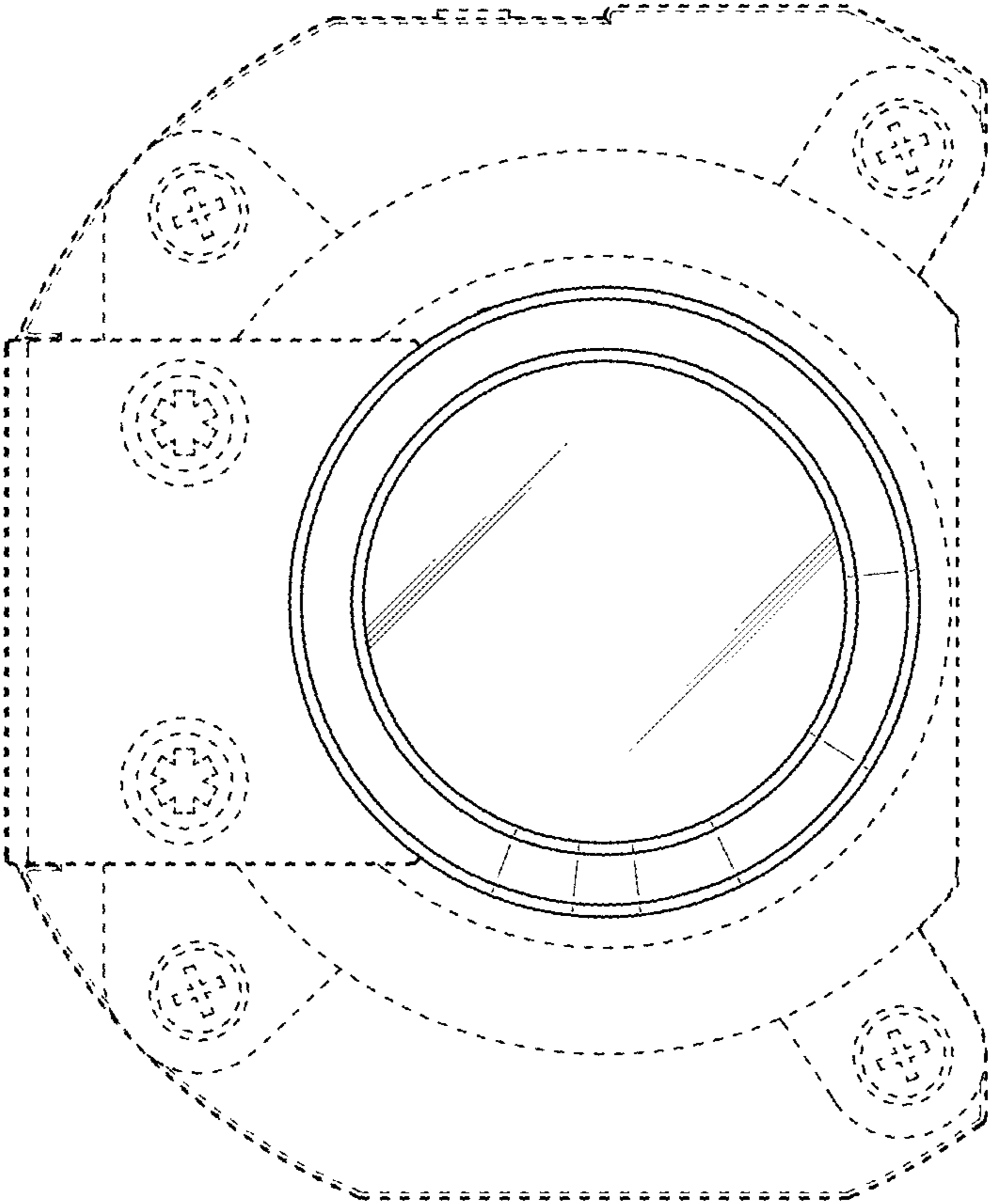


Fig. 5

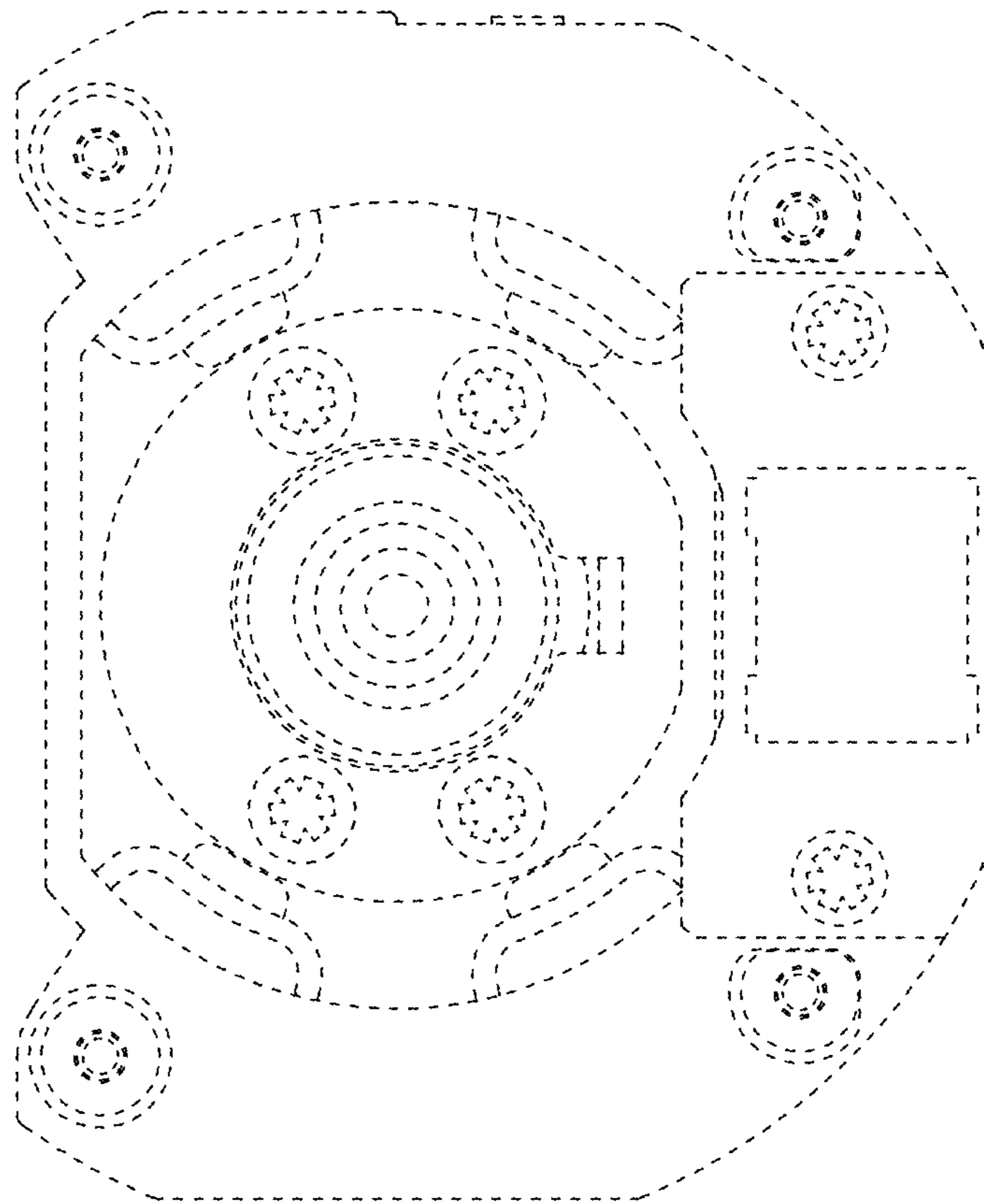


Fig. 6

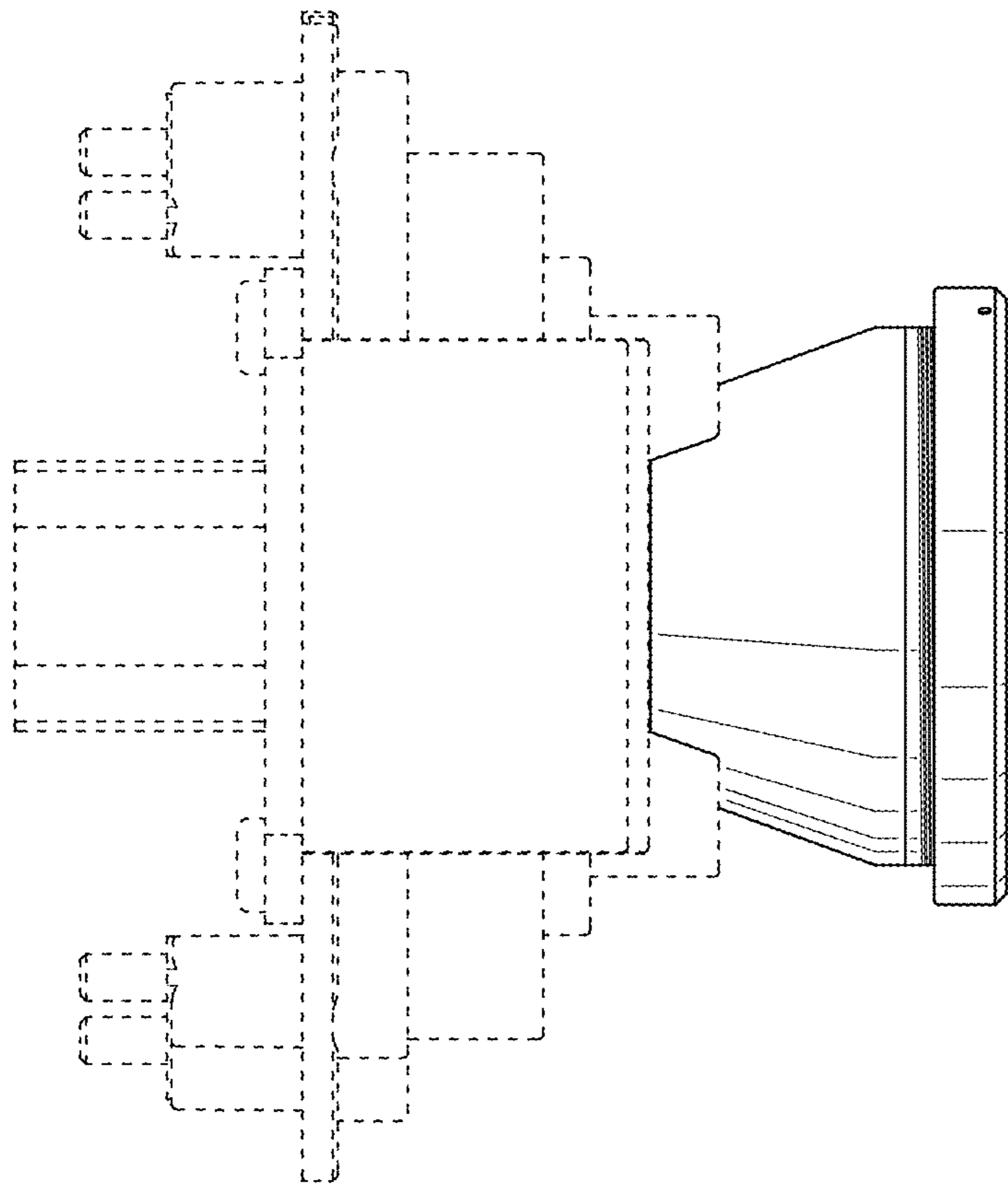


Fig. 7

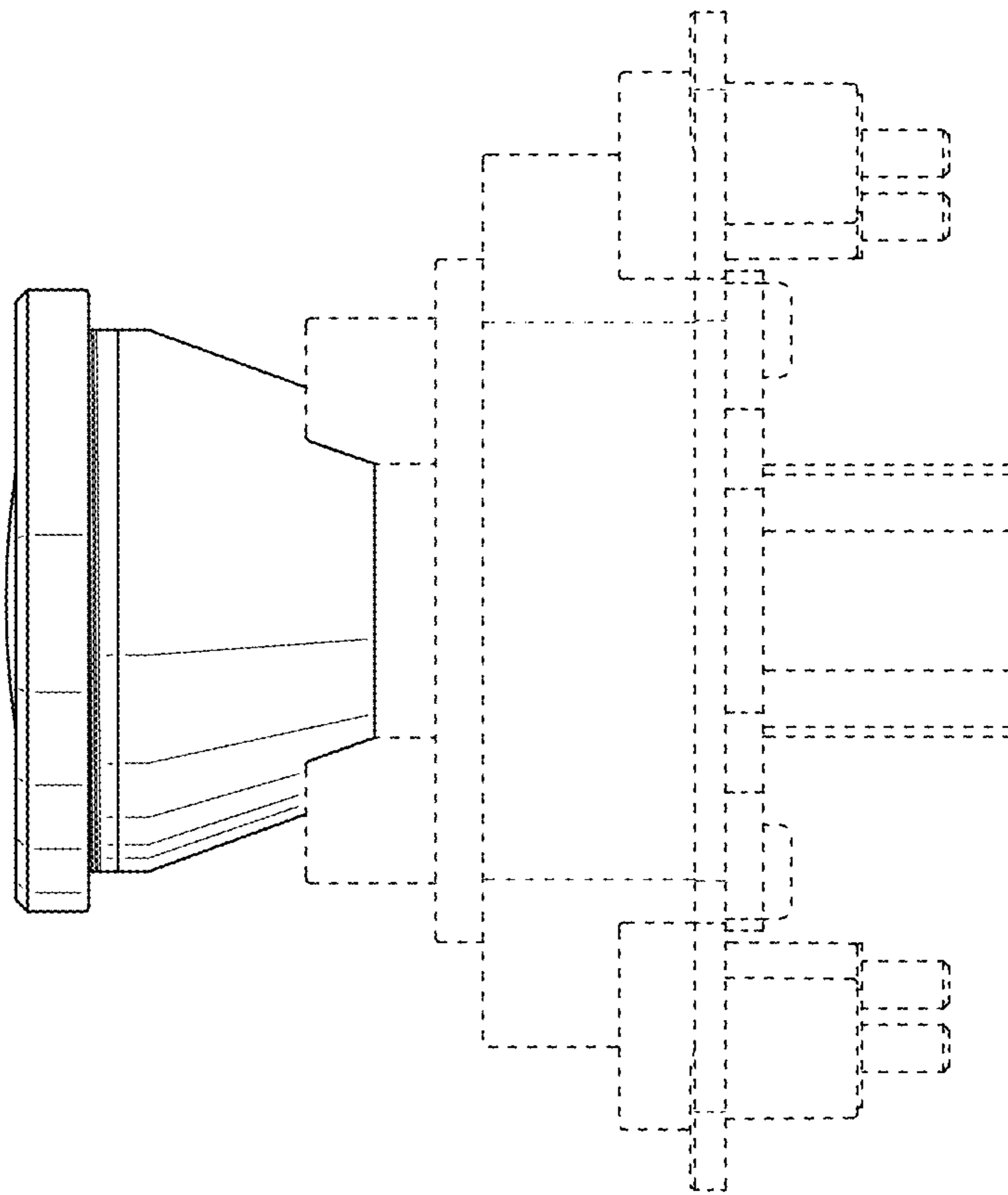


Fig. 8

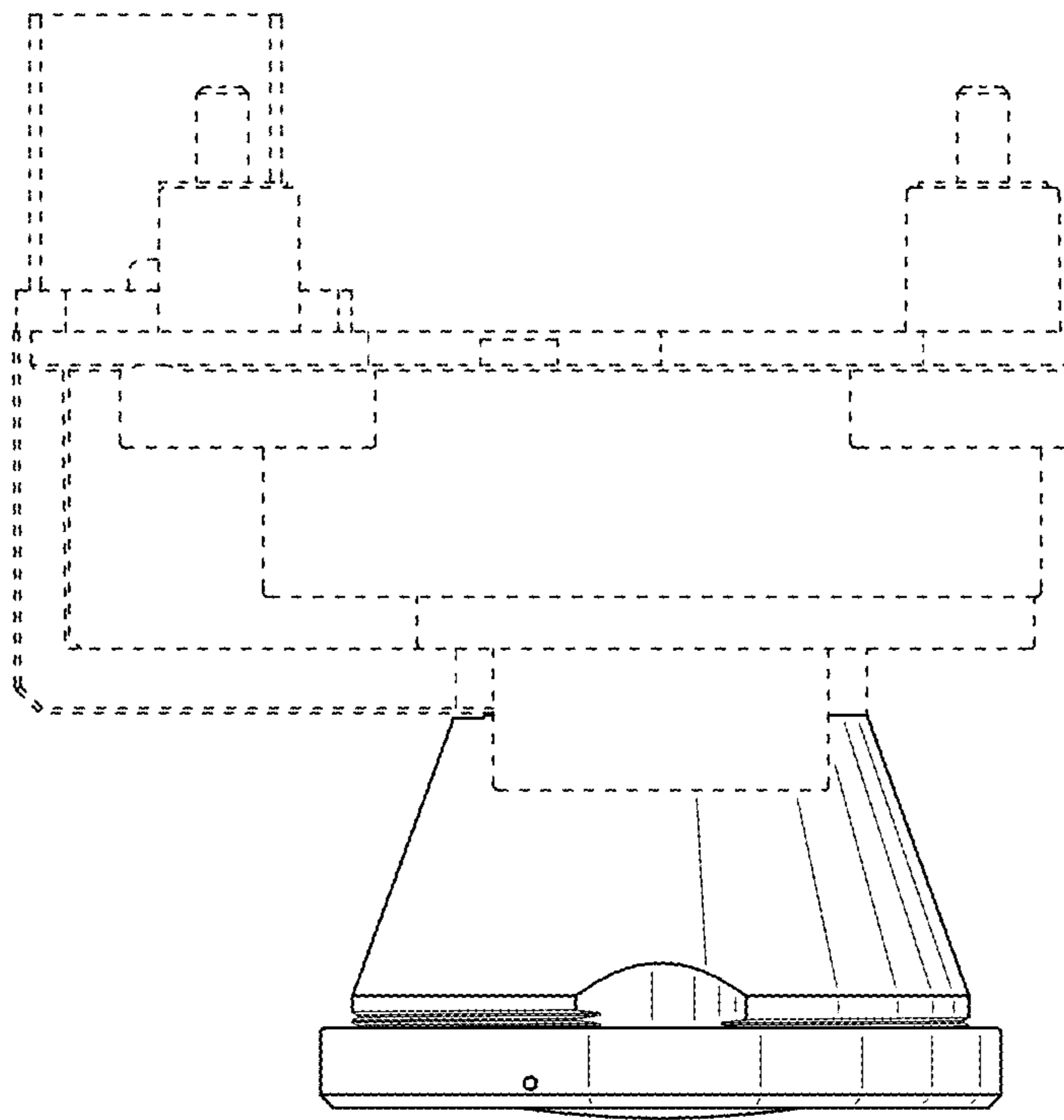


Fig. 9

