



US00D930730S

(12) **United States Design Patent**
Zeng

(10) **Patent No.:** **US D930,730 S**

(45) **Date of Patent:** **** Sep. 14, 2021**

(54) **CAMERA ASSEMBLY**

(71) Applicant: **ANYTREK CORPORATION**,
Ontario, CA (US)

(72) Inventor: **Haijian Zeng**, Ontario, CA (US)

(73) Assignee: **ANYTREK CORPORATION**,
Ontario, CA (US)

(**) Term: **15 Years**

(21) Appl. No.: **29/740,826**

(22) Filed: **Jul. 7, 2020**

(51) **LOC (13) Cl.** **16-01**

(52) **U.S. Cl.**
USPC **D16/208**; D16/218

(58) **Field of Classification Search**
USPC D16/200, 202–203, 207, 208, 218, 219;
D14/203.1, 204, 209.1, 496, 497;
348/14.01–14.16, 164, 373–376;
396/427, 535, 539–541
CPC G03B 17/02; G03B 19/04; G03B 17/56;
G03B 17/04; G03B 15/03; H04N 5/2251;
H04N 5/2252; H04N 5/2253; H04N
5/2254; H04N 2101/00; H04N 2007/145;
H04N 7/141; H04N 7/142; H04N 7/147;
H04N 7/148; H04N 7/15; H04N 7/152
See application file for complete search history.

(56) **References Cited**

U.S. PATENT DOCUMENTS

D641,388 S *	7/2011	Shih	D16/202
8,593,567 B2 *	11/2013	Xiao	H04N 5/2251
				348/373
D716,360 S *	10/2014	Schechter	D16/208
D747,386 S *	1/2016	Li	D16/208
D819,111 S *	5/2018	Singh	D16/218
D822,745 S *	7/2018	Shang	D16/208

D849,086 S *	5/2019	Russo	D16/202
D849,089 S *	5/2019	Lu	D16/202
D849,098 S *	5/2019	Kapuria	D16/208
D870,790 S *	12/2019	Depay	D16/202
D874,532 S *	2/2020	Chen	D16/202
D874,541 S *	2/2020	Kapuria	D16/208
D904,486 S *	12/2020	Xiong	D16/208
D904,487 S *	12/2020	Xiong	D16/208
D905,778 S *	12/2020	Lenz	D16/208
D907,091 S *	1/2021	Lv	D16/202
D907,098 S *	1/2021	Xiong	D16/208

* cited by examiner

Primary Examiner — Ramzi Almatrahi
(74) *Attorney, Agent, or Firm* — SoCal IP Law Group
LLP; Steven C. Sereboff

(57) **CLAIM**

The ornamental design for a camera assembly, as shown and described.

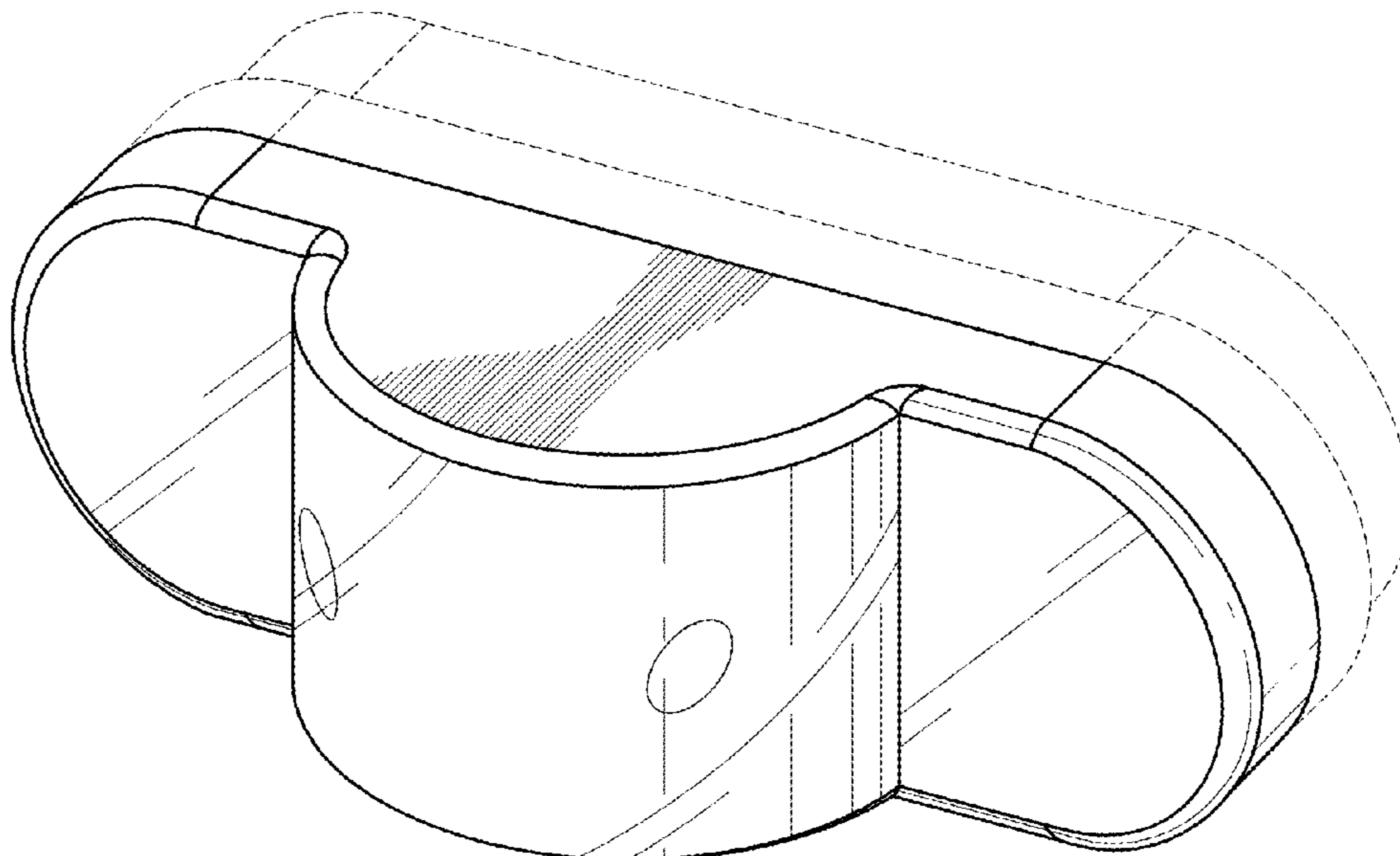
DESCRIPTION

A portion of the disclosure of this patent document contains material which is subject to copyright protection. The copyright and trade dress owner has no objection to the facsimile reproduction by anyone of the patent disclosure as it appears in the Patent and Trademark Office patent files or records, but otherwise reserves all copyright and trade dress rights whatsoever.

FIG. 1 is a top perspective view of a camera assembly;
FIG. 2 is a front view thereof;
FIG. 3 is a back view thereof;
FIG. 4 is a right-side view thereof;
FIG. 5 is a left-side view thereof;
FIG. 6 is a top view thereof; and,
FIG. 7 is a bottom view thereof.

The broken lines depict portions of the camera assembly in which the design is embodied that form no part of the claimed design.

1 Claim, 3 Drawing Sheets



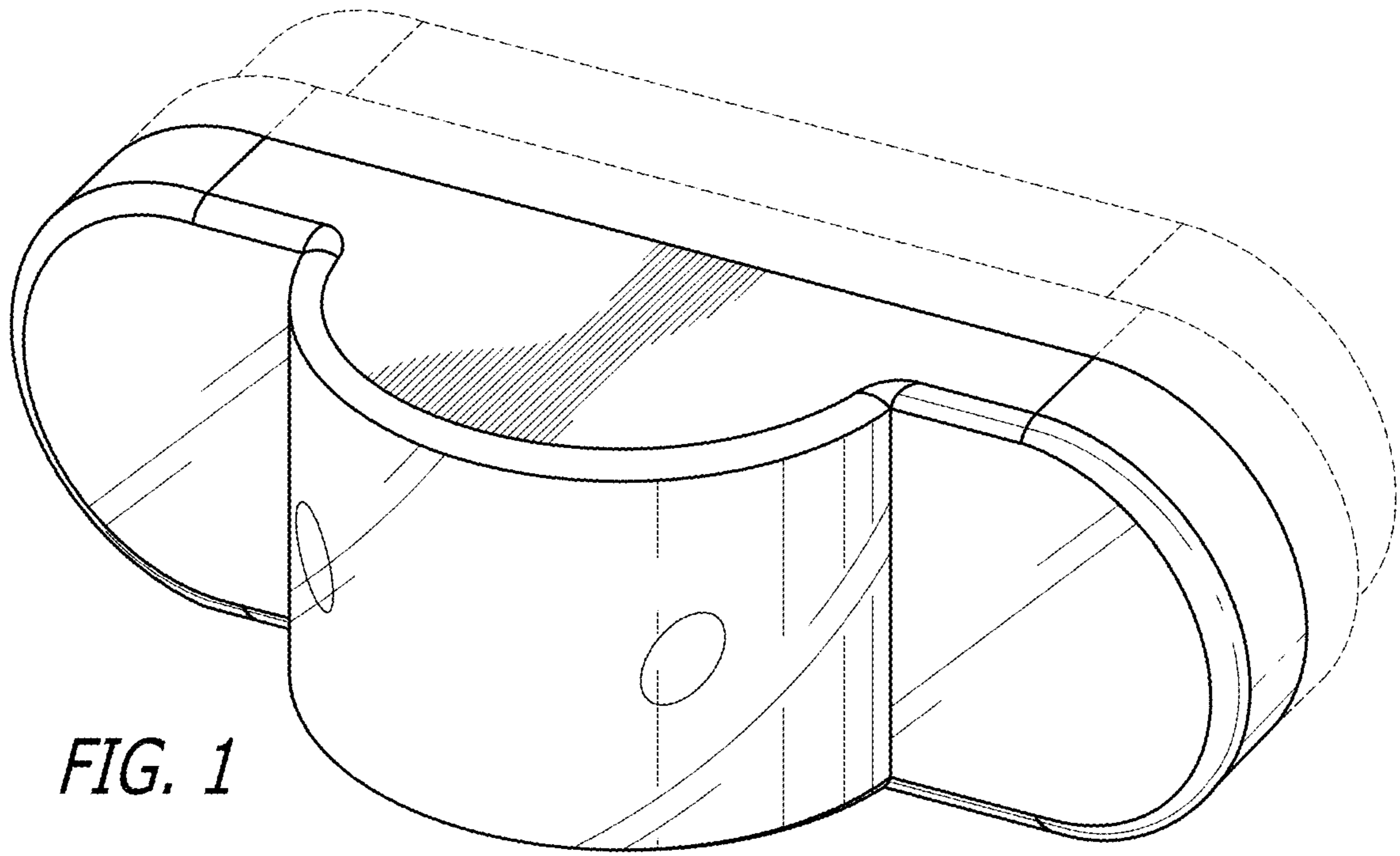


FIG. 1

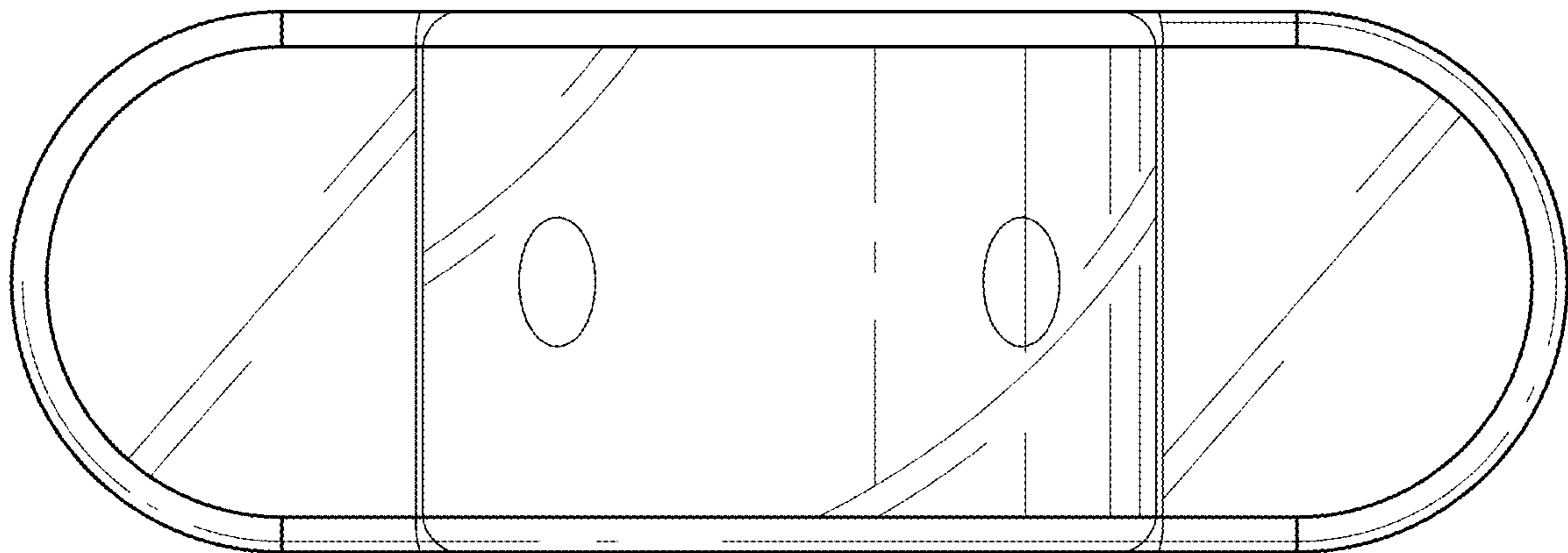


FIG. 2



FIG. 3

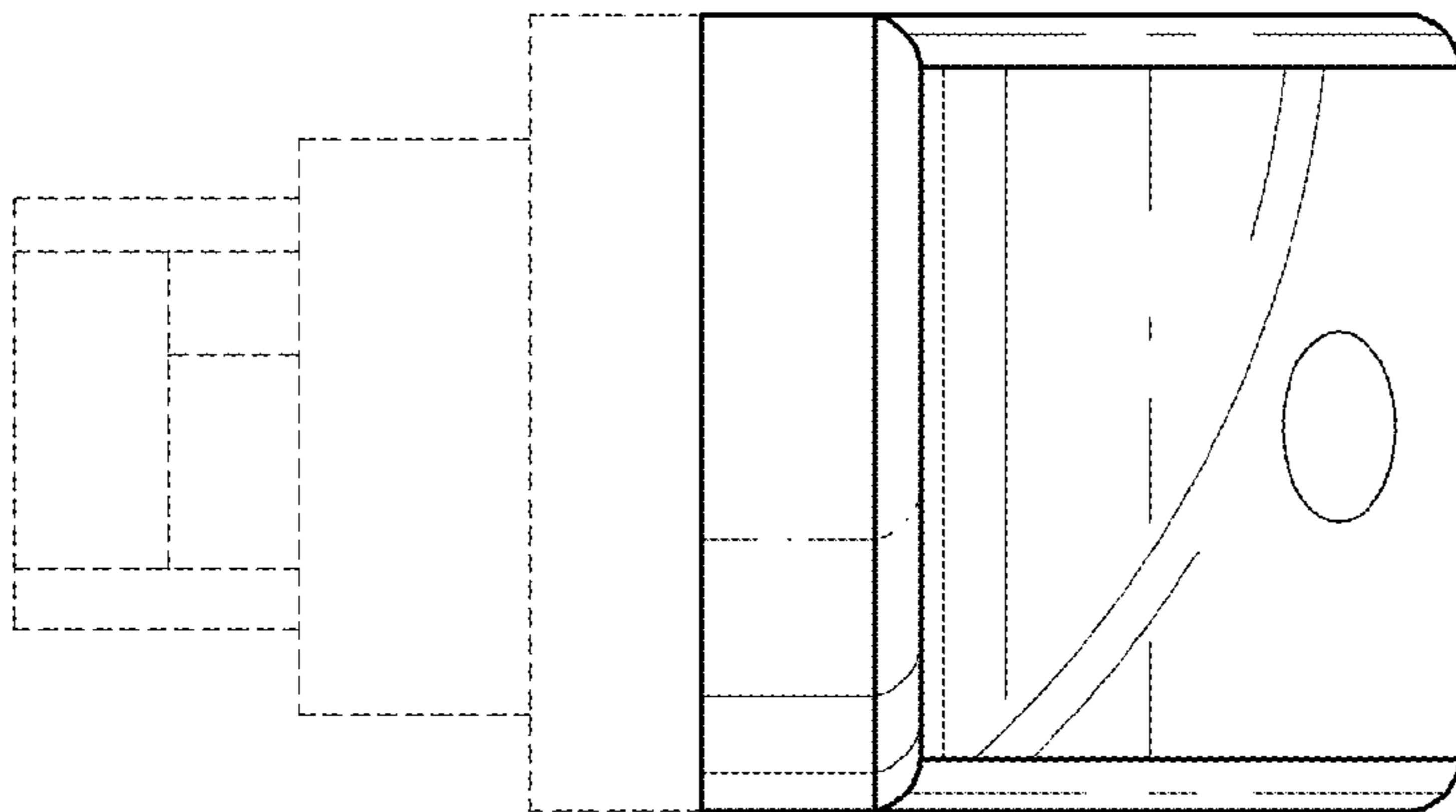


FIG. 4

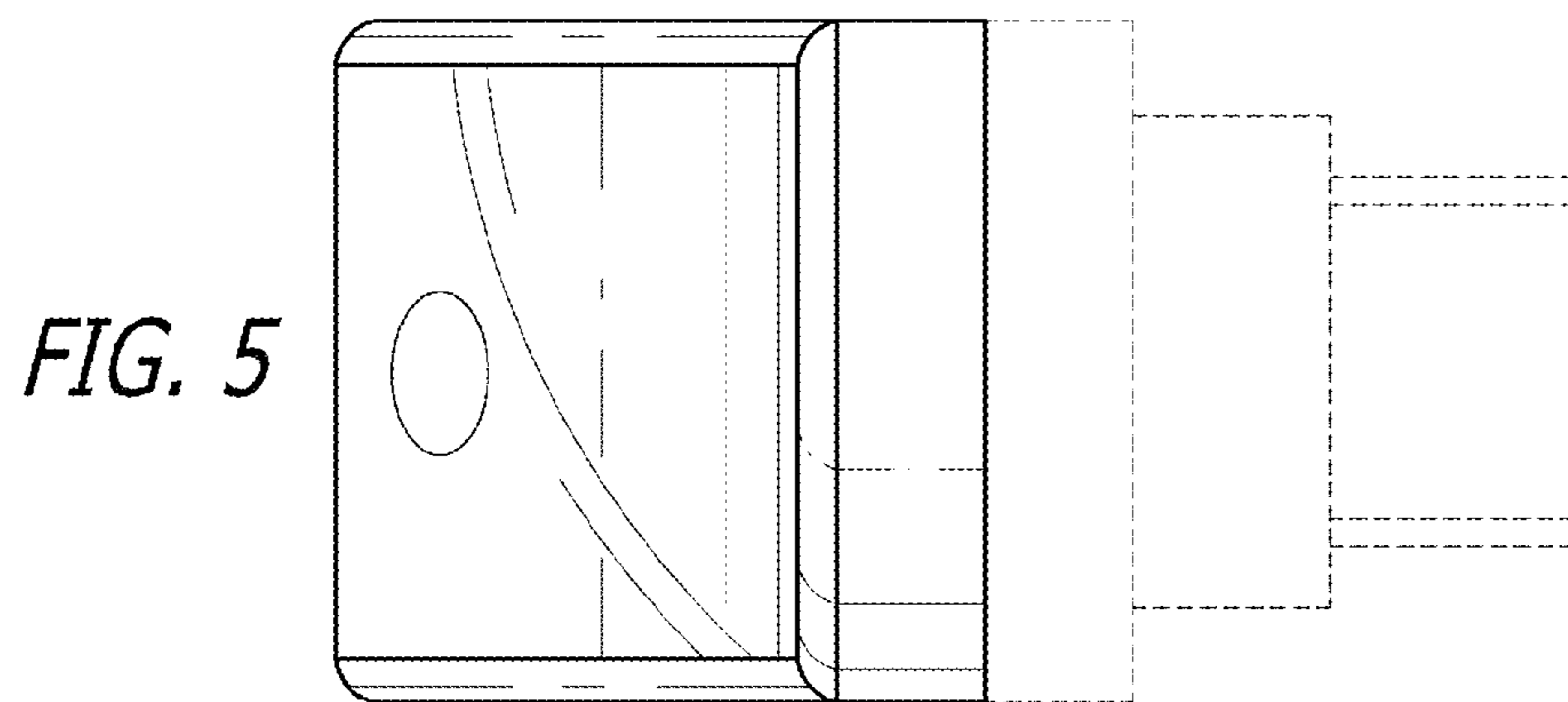


FIG. 5

